

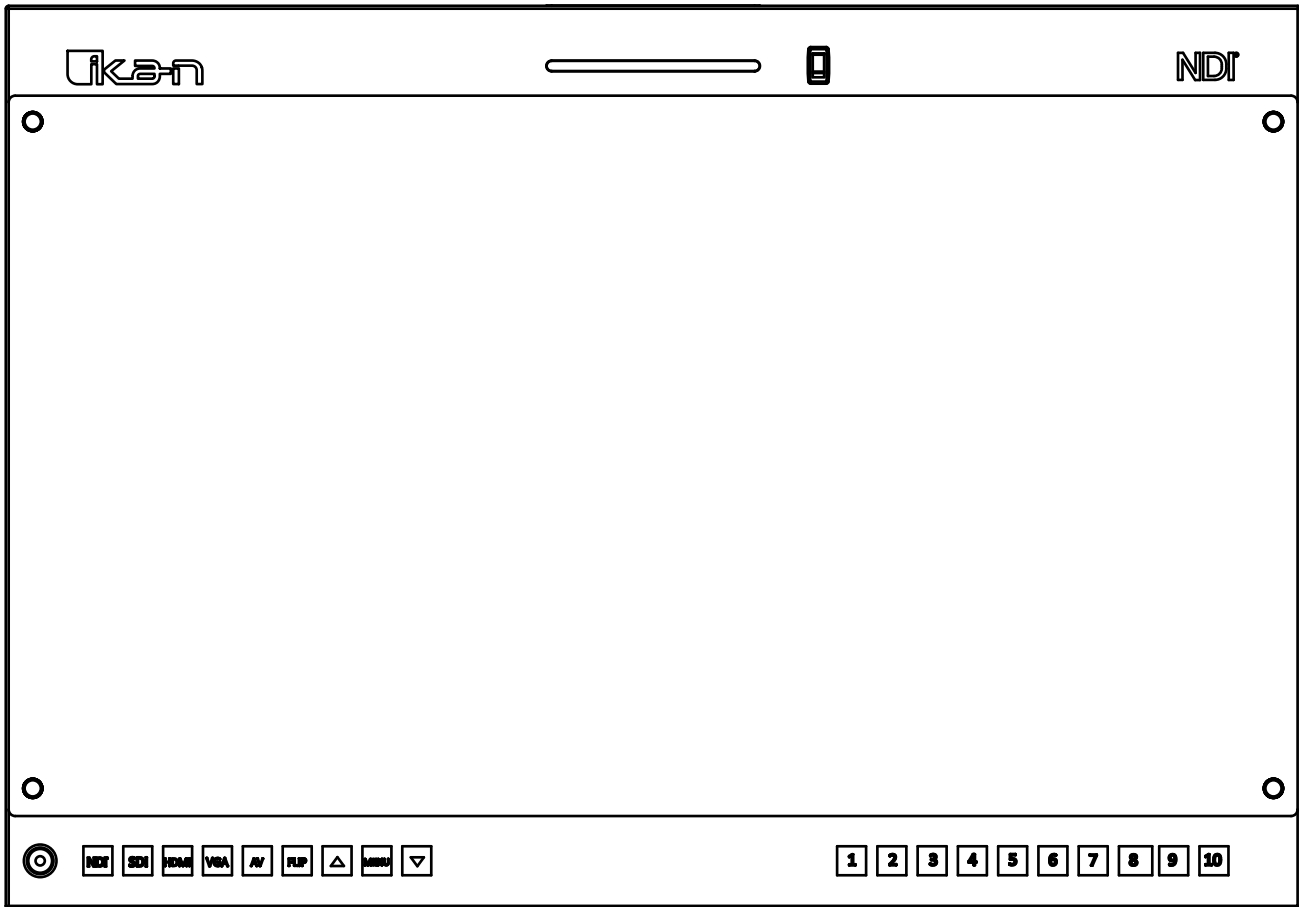
## OVERVIEW

Transporting an entire studio's worth of equipment to another location is an extraordinarily difficult task. In most cases, this would require moving the computers, equipment racks, lights, pedestal systems, cameras, and teleprompters. The STUDIO ROVER™ puts mobility & efficiency in your hands. This compact full studio on wheels will give you all of the essential pieces of studio equipment all in a tidy and well-managed setup. We've taken a 19" shock mount rack and built a mobile cart around it, erected a rigid motorized column on top which holds your camera, teleprompter, and PoE studio light on top. All of these components can be interconnected with the rack-mounted equipment by feeding the cables down our flexible cable spine which keeps the setup organized. Furthermore, you can also conveniently connect to the rack-mounted equipment without ever having to open the side or front doors thanks to our patch panel slots that sit on the top deck of the cart. All of the included equipment is controllable over IP, making AV integration with systems like Q-SYS possible. Now, your entire studio can be all in one place and completely mobile.



# M19W-NDI

19" PoE++ Monitor w/ Full NDI Encoding/Decoding & NDI Tally Light



# Safety Precautions

---

## On Installation

Make sure there is enough airflow to prevent internal overheating. Do not place the device near heat sources such as radiators or air ducts, or in areas exposed to excessive dust, mechanical vibrations, or shocks. Keep at least 40 cm of space behind the unit to maintain a safe operating area.

## Transporting the Unit

Avoid exposing the unit to severe vibrations or high-impact conditions while transporting it. Such conditions can deform the internal or external structure of the unit, cause internal components to malfunction, or lead to other types of damage.

When transporting the unit as cargo by truck, ship, or air, or when carrying it as luggage in a rolling bag, take care not to subject it to strong vibrations or heavy impacts.

## Handling and Maintenance of the Screen

The screen's surface is coated to minimize reflections. Follow these guidelines carefully to avoid damaging the screen or impairing its performance:

- Before cleaning, always unplug the power cord or Ethernet cable from the monitor.
- The screen's special coating can be damaged by adhesive materials like stickers; avoid placing any on it.
- Avoid touching the screen directly due to its delicate coating.
- Gently clean the screen with the provided cleaning cloth or a soft, dry cloth to remove dust and dirt.
- For more stubborn stains, use the cleaning cloth or a soft cloth moistened with a mild detergent solution.
- Ensure the cleaning cloth is free from dust to prevent scratching the screen.
- Do not use harsh chemicals like alcohol, benzene, thinners, acidic or alkaline solutions, abrasive cleaners, or chemical wipes, as these can damage the screen.
- Use a blower to remove dust from the screen surface without making contact.

## **On Repacking**

Do not throw away the carton and packing materials. They make an ideal container which to transport the unit.

## **General Warning**

- Avoid placing the monitor in a rainy or wet environment to prevent the risk of fire or electrical shock.
- Keep the monitor away from devices that emit strong magnetic fields.

## **Power Connection Warning**

Use the original power adapter to prevent damage. Ensure that any alternative DC power source matches the voltage, output power, and polarity requirements of the monitor.

- Disconnect the power, including the AC power cable or battery, in the following situations:
- If the monitor will not be used for an extended period.
- If the power cable or power socket is damaged.
- If the monitor's housing is damaged due to impact or a fall.

## **Usage Warning**

- Avoid touching the screen directly to prevent damage and fingerprints, which are difficult to clean.
- Do not apply pressure to the LCD screen as it is fragile.
- Ensure the monitor is placed on a stable surface to prevent it from falling.

## Product Overview

---

### What's in the box

Quantity	Item
1x	Monitor
1x	Power Supply & Cable
1x	User Manual & Warranty Card

### Overview

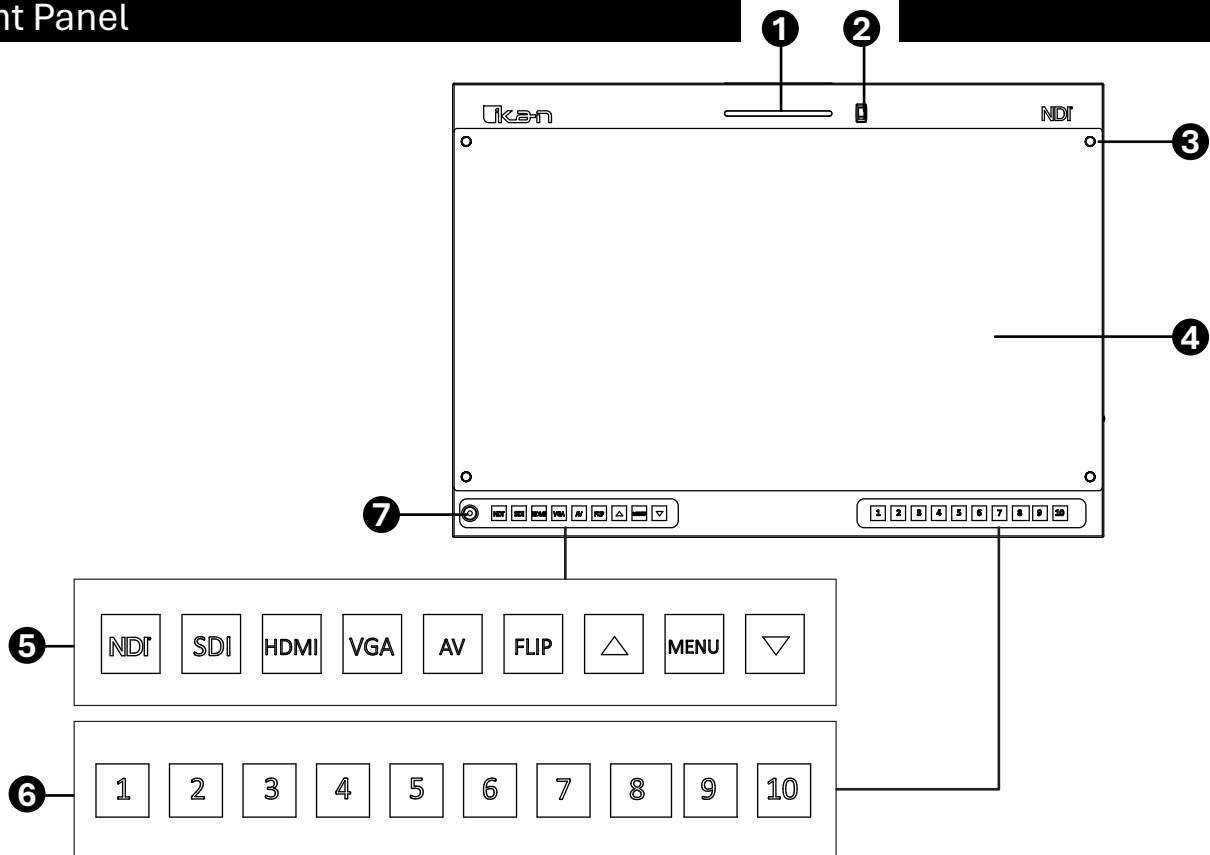
The M19W-NDI High-Bright Monitor features NDI-HB video encoding/decoding, as well as traditional 3G-SDI, HDMI, and VGA, inputs. The M19W-NDI monitor can be connected to a network and powered using a single Ethernet cable, eliminating the need for dedicated video and power cables. This is possible because the monitor utilizes PoE++ technology that allows both power and NDI data to be transmitted through a single Ethernet cable. By using a single cable for power and data transmission, you can reduce the overall cost of materials, as well as the cost of installation and maintenance. Since POE++ provides high wattage, the monitor is able to run at 500 nits.

### Product features

- 19-inch POE++ Widescreen Teleprompter Monitor w/ Full NDI Encoding/Decoding
- Power Monitor and Decode NDI Video through One RJ45 Cable
- Built-in NDI-Compatible Tally Light
- 9 NDI Preset Buttons
- 1080p Resolution
- 500-nit monitor
- RJ45, 3G-SDI, HDMI, Composite and VGA inputs

# Location and Function of Parts and Controls

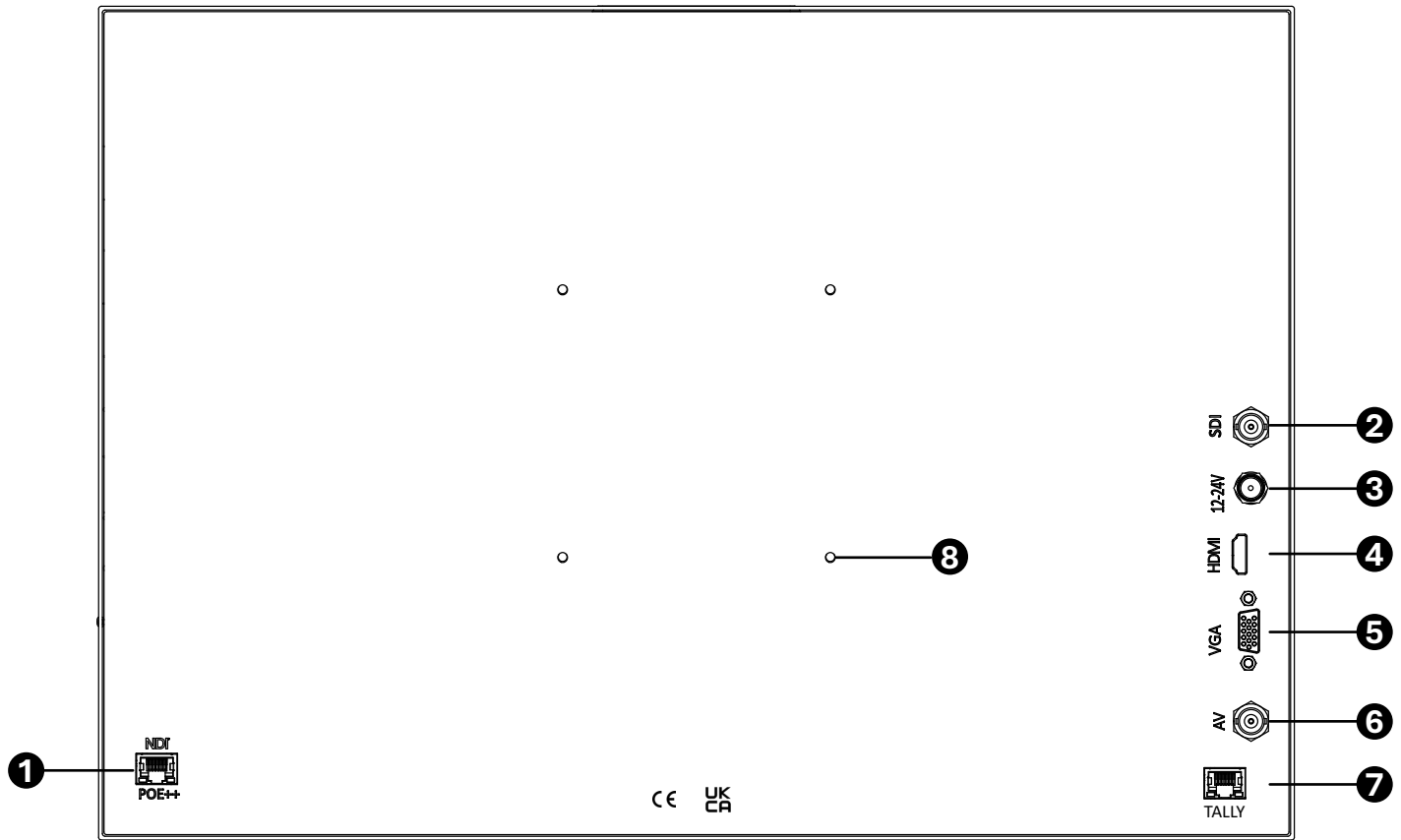
## Front Panel



- ❶ **Tally light:** Turns red, green, or yellow
- ❷ **Tally light switcher:** Switches between front facing tally light or top tally light
- ❸ **Screw for acrylic screen protector:** If you do not want to use the acrylic screen protector, unfasten these screws to remove it.
- ❹ **Acrylic screen protector:** Used to protect the LCD panel from damage
- ❺ **Video Inputs:**
  - **NDI:** Displays NDI Streams on the LCD
  - **SDI:** Displays SDI video on the LCD
  - **HDMI:** Displays HDMI video on the LCD
  - **AV:** Displays Composite BNC video on the LCD
- Menu Buttons:**
  - **FLIP:** Flip the image orientation. Can be set to Horizontal, Vertical or both
  - **UP:** Navigate up in the menu
  - **MENU:** Open the menu
  - **DOWN:** Navigate down in the menu
- ❻ **NDI Presets 1-10:** Used to switch between NDI presets. To use this feature In the Web GUI, select an NDI stream and assign a preset number.
- ❼ **Power button**

# Location and Function of Parts and Controls

## Rear Panel



- 1** NDI/PoE++ Input: RJ45 Connector | This port is used for both PoE and NDI
- 2** SDI Input: BNC 3G-SDI Connector
- 3** 12V~24V Power Input: Threaded barrel power connector
- 4** HDMI Input:
- 5** VGA Input: DE-15 Connector
- 6** AV Input: BNC Composite Connector
- 7** Tally Input: RJ45 Connector | Contact closure GPIO tally interface (Do not use this Port for PoE or NDI)
- 8** 100mm VESA Mount

## On Screen Display

<b>MAIN MENU</b> ----- OUTPUT SETUP IMAGE H/V MIRROR SYSTEM OSD CONTROL EXIT	<b>OUTPUT SETUP</b> ----- TEST PATTERN COLOR SPACE RETURN	<b>IMAGE</b> ----- CONTRAST BRIGHTNESS SATURATION HUE GAMMA ADJUST COLOR TONE EDGE ENHANCE RETURN
<b>H/V MIRROR</b> ----- H - MIRROR V - MIRROR H - SHIFT V - SHIFT ASPECT RETURN	<b>SYSTEM</b> ----- INPUT FORMAT F/W VERSION FACTORY RESET LCD SLEEP NDI IP BUTTON LED RETURN	<b>OSD CONTROL</b> ----- OSD ENABLED RETURN

Access the OSD menu by pressing the Menu button on the front panel.  
Navigate using the Up and Down buttons.

### 1 Output Setup

- Test Pattern: Cycle through various test patterns.
- Color Space: Select from YCbCr 422, RGB, or YCbCr 444.

### 2 Image

- Contrast: Adjust image contrast.
- Brightness: Adjust screen brightness.
- Saturation: Adjust color saturation.
- Hue: Adjust image hue.
- Gamma Adjust: Choose from Off, 0.7, 0.9, 1.1, 1.3.
- Color Tone: Select between Skin, Green, or Off.
- Edge Enhance: Set to Off, Min, Mid, or Max.

### 3 H/V Mirror

- H Mirror: Enable horizontal flip.
- V Mirror: Enable vertical flip.
- H Shift: Shift image horizontally.
- V Shift: Shift image vertically.
- Aspect: Choose aspect ratio: 16:9, 4:3, or Stretch.

#### **4 System**

- Input Format: Display current input resolution and refresh rate.
- F/W Version: Show firmware version.
- Factory Reset: Reset to default settings.
- LCD Sleep: Set inactivity timer for sleep mode.
- Button LED: Toggle LED lights on front panel buttons.
- NDI IP: Display current IP address.

#### **5 OSD Control**

- OSD Enabled: Enable or disable the OSD menu.

# Getting Started

---

## Powering the Monitor

### Via PoE+ (Power over Ethernet)

1. Connect an Ethernet cable from the NDI PoE port to a PoE+ enabled network switch or injector.
2. This provides both power and network connectivity for NDI streaming.

### Via 12-24V DC Power

1. Connect the supplied DC power adapter to the 12-24V threaded barrel connector.
2. Note: If both PoE+ and DC power are connected, the monitor prioritizes DC power.

## Connecting Video Inputs

### NDI Streaming

- Use the NDI PoE port for NDI encoding and decoding.

### SDI Input

- Connect a 3G-SDI source to the SDI BNC connector.

### HDMI Input

- Connect an HDMI source to the HDMI port.

### VGA Input

- Connect a VGA source to the VGA port.

### Composite Video Input

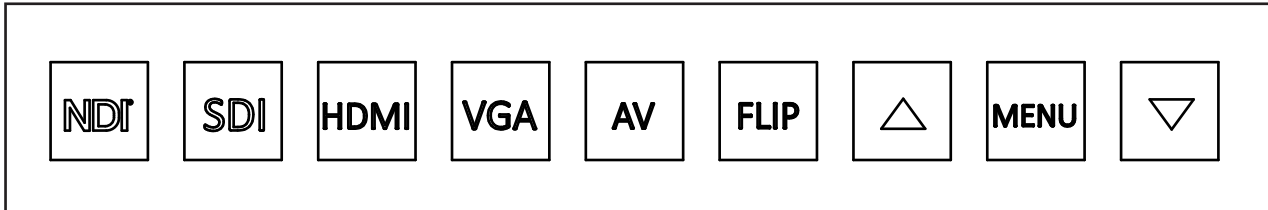
- Connect a composite video source to the AV BNC connector.

## Using the Monitor

### Selecting Video Inputs

Use the input selection buttons on the front panel to switch between video sources:

- Press NDI, SDI, HDMI, VGA, or AV to select the corresponding input.

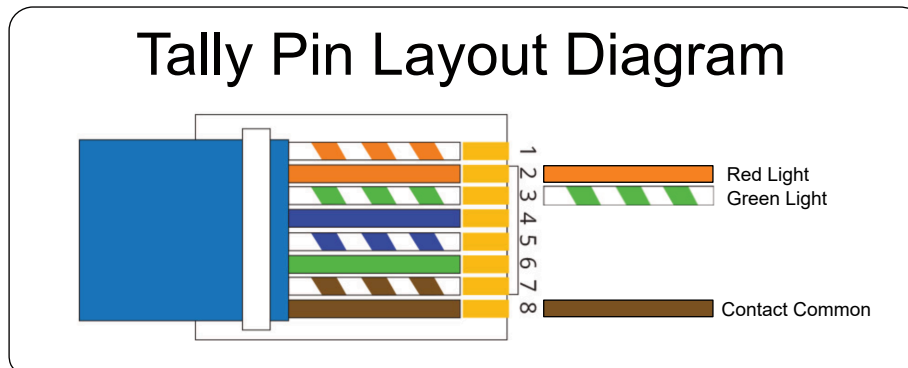


### Image Flip and Orientation

Press the Flip button to toggle the image flip mode.

Set the desired orientation in the H/V Mirror section of the OSD menu.

### Tally Light Functionality



Connect your contact closure tally control system to the Tally RJ45 port.

#### Pin Configuration:

- Pin 2: Red light
- Pin 3: Green light
- Pin 8: Ground
- Pins 1, 4-7: Not connected

#### Selecting Tally Light

Use the Tally Light Selector Switch next to the front tally light.

- **Top Tally Light:** For teleprompter use.
- **Front Tally Light:** For talent monitor use.

## NDI Functionality

---

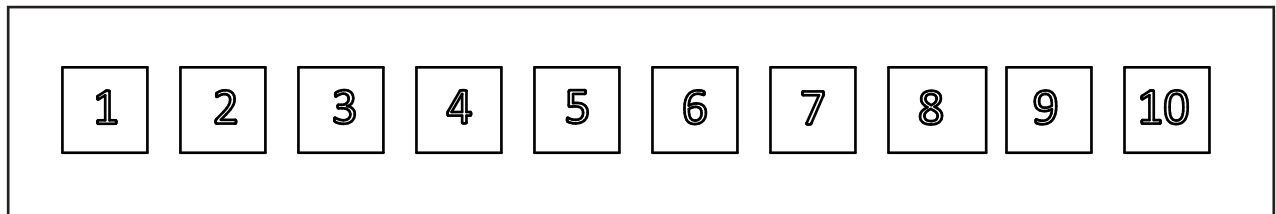
### NDI Encoding Mode

When a baseband signal (HDMI, SDI, VGA, Composite) is connected and selected, the monitor can encode and broadcast it as a 1080p NDI stream over the network.

### NDI Decoding Mode

The monitor can decode any 1080p high-bandwidth NDI stream and display it on the screen. Use the Web GUI or NDI Preset Buttons to select the desired NDI stream.

### Using NDI Preset Buttons



#### Assigning NDI Streams to Presets

- Access the Web GUI and navigate to the Decoding page.
- Under NDI Sources, select an NDI stream and assign it to a preset number (1-10).

#### Recalling NDI Streams

- Press the corresponding NDI Preset Button (1-10) on the front panel to display the assigned NDI stream.

# Web GUI Access and Configuration

---

## Accessing the Web GUI

### 1. Connect to the Same Network

- Ensure your computer is connected to the same network as the NDI monitor.
- Make sure that your firewall is turned off or configured properly to open TCP and UDP ports (5960-5970) that allow NDI video and audio to pass through.

### 2. Find the Monitor's IP Address

- The default IP address is 192.168.1.114 (if using a static IP).
- If set to DHCP, retrieve the IP address from the OSD menu under System > NDI IP.
  - If the IP Address displays as 0.0.0.0, Make sure to have a router on your network to assign the IP address of the Monitor

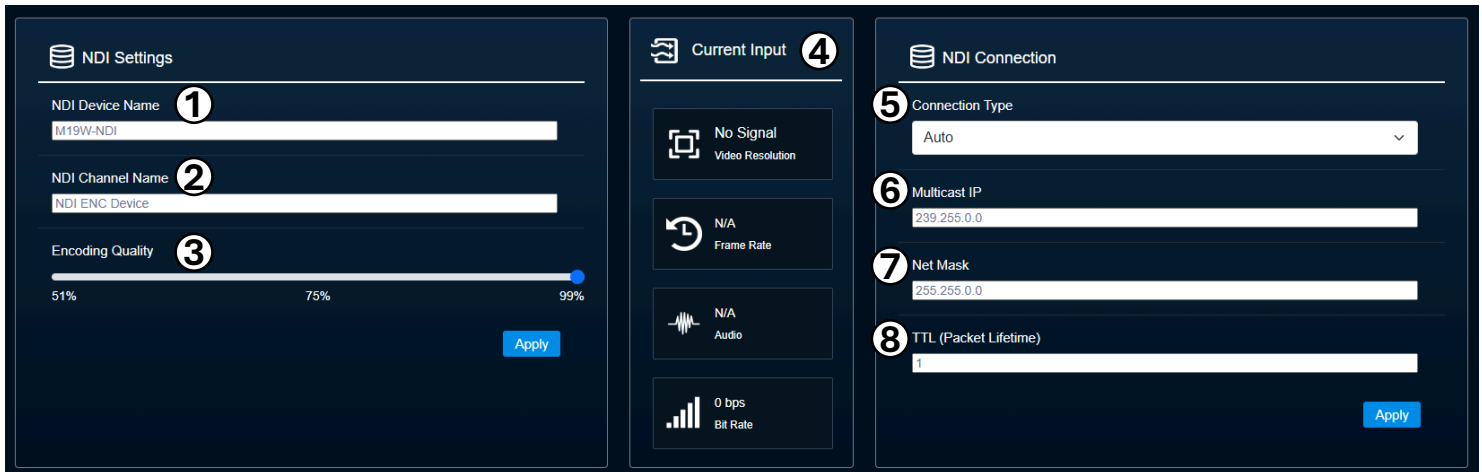
### 3. Open a Web Browser

- Enter the monitor's IP address into the address bar (e.g., <http://192.168.1.114>).

### 4. Login

- Default credentials:
  - Username: admin
  - Password: password
- Note: It's recommended to change the default password upon first login.

# Web GUI Overview



## 1 Encoding NDI Settings

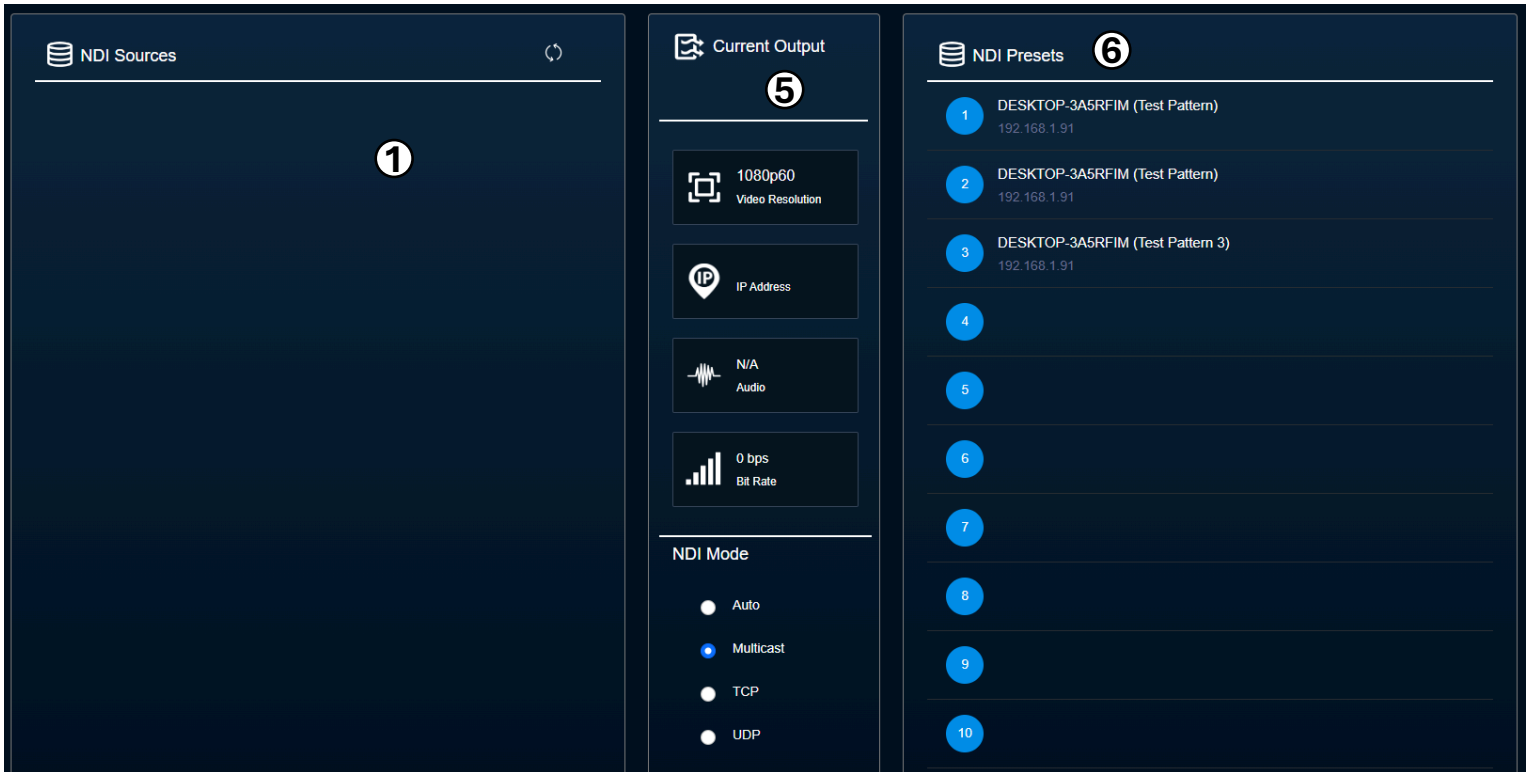
1. NDI Device Name: Set the device name visible to other NDI devices.
2. NDI Channel Name: Set the channel name for the encoded stream.
3. Encoding Quality: Adjust from 51% to 99% for desired video quality.

## Current Input

4. View real-time stats of the currently encoded NDI stream.

## NDI Connection

5. Connection Type: Select unicast or multicast.
6. Multicast IP: Set the multicast IP address.
7. Netmask: Configure the subnet mask.
8. TTL (Packet Lifetime): Set the time-to-live for network packets.



## 2 Decoding NDI Sources

1. Displays all available NDI streams on the network.
2. For devices with multiple streams, click the drop-down arrow to view all streams.
3. Click the Monitor icon to display the stream immediately.
4. Click the Plus icon to assign the stream to an NDI preset.

### Current Output

5. Shows video stats for the NDI stream currently displayed.

### NDI Presets

6. Manage assigned NDI presets for quick access via front panel buttons.

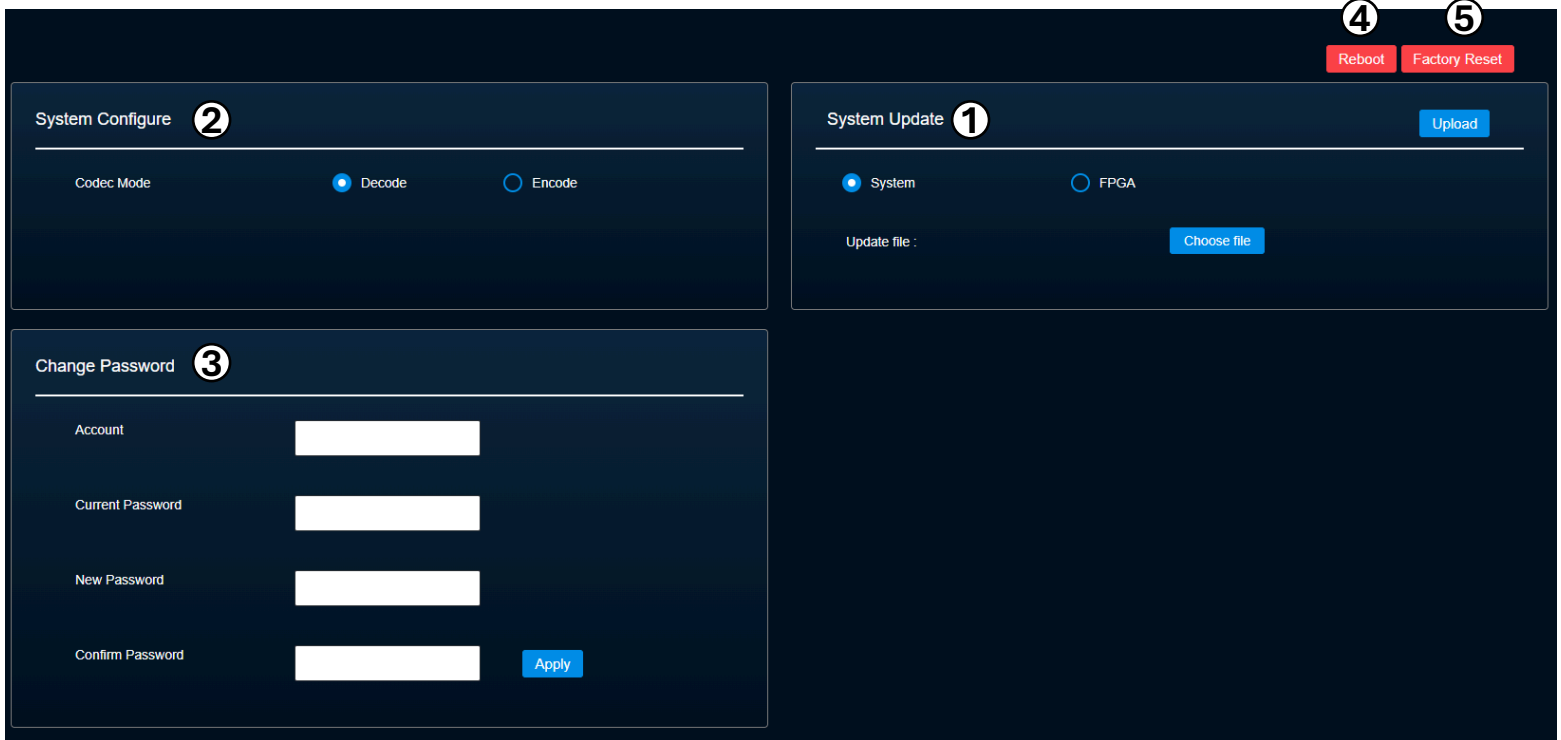
The image shows a 'Network Settings' window with a dark blue background. At the top, the title 'Network Settings' is displayed. Below the title, there are two radio button options: 'DHCP' (which is selected) and 'Static'. A circled '1' is placed above the 'Static' option. Below these options, there is a section for 'IP address' configuration, indicated by a circled '2'. This section contains three input fields: 'IP address' with the value '192.168.1.56', 'Mask address' with the value '255.255.255.0', and 'Gateway address' with the value '192.168.1.1'. At the bottom left of the settings area, there is a blue 'Apply' button.

### ③ Network Network Settings

1. Choose between DHCP or Static IP configuration.

#### IP Configuration

2. If using a static IP, set the IP Address, Subnet Mask, and Gateway Address.



## 4 System Firmware Updates

1. Update the firmware for the FPGA and system chips.

### System Configuration

2. Switch between Encoding and Decoding modes.

### Change Password

3. Update the login credentials for the Web GUI.

### Reboot

4. Perform a software reboot of the monitor.

### Factory Reset

5. Restore all settings to factory defaults.

## NDI Tally Feature

---

The M19W-NDI monitor's tally light system is fully compatible with High Bandwidth NDI®, providing seamless integration with NDI-enabled video mixing software like vMix. When you're using the monitor in NDI Encoding Mode, the NDI stream generated by the monitor can be received by your mixing software over the network. The tally lights on the monitor will then respond automatically based on the stream's status in the mixing software.

### How It Works:

- Preview Status (Green Light):
  - When your mixing software places the monitor's NDI stream in the preview window, the monitor's tally light will illuminate green.
  - This indicates to on-camera talent that they are in standby mode and may go live soon.
- Live Status (Red Light):
  - When the mixing software transitions the monitor's NDI stream to the live program output, the tally light will turn red.
  - This alerts the talent that they are currently live on air.

### Setup Instructions:

- Enable NDI Encoding Mode:
  - Access the Web GUI and navigate to System > System Configure.
  - Ensure that the monitor is set to Encoding Mode.
- Connect to Mixing Software:
  - Open your NDI-compatible mixing software (e.g., vMix) on a computer connected to the same network.
  - Add the monitor's NDI stream as a source.
- Utilize Tally Functionality:
  - As you switch between preview and live modes in your mixing software, the monitor's tally lights will respond accordingly without additional configuration.

## **Tally Light Selection:**

- Use the Tally Light Selector Switch located next to the front tally light to choose which tally light to activate:
  - **Front Tally Light:** Ideal when the monitor is used as a talent monitor.
  - **Top Tally Light:** Best suited for teleprompter setups.

## **Benefits:**

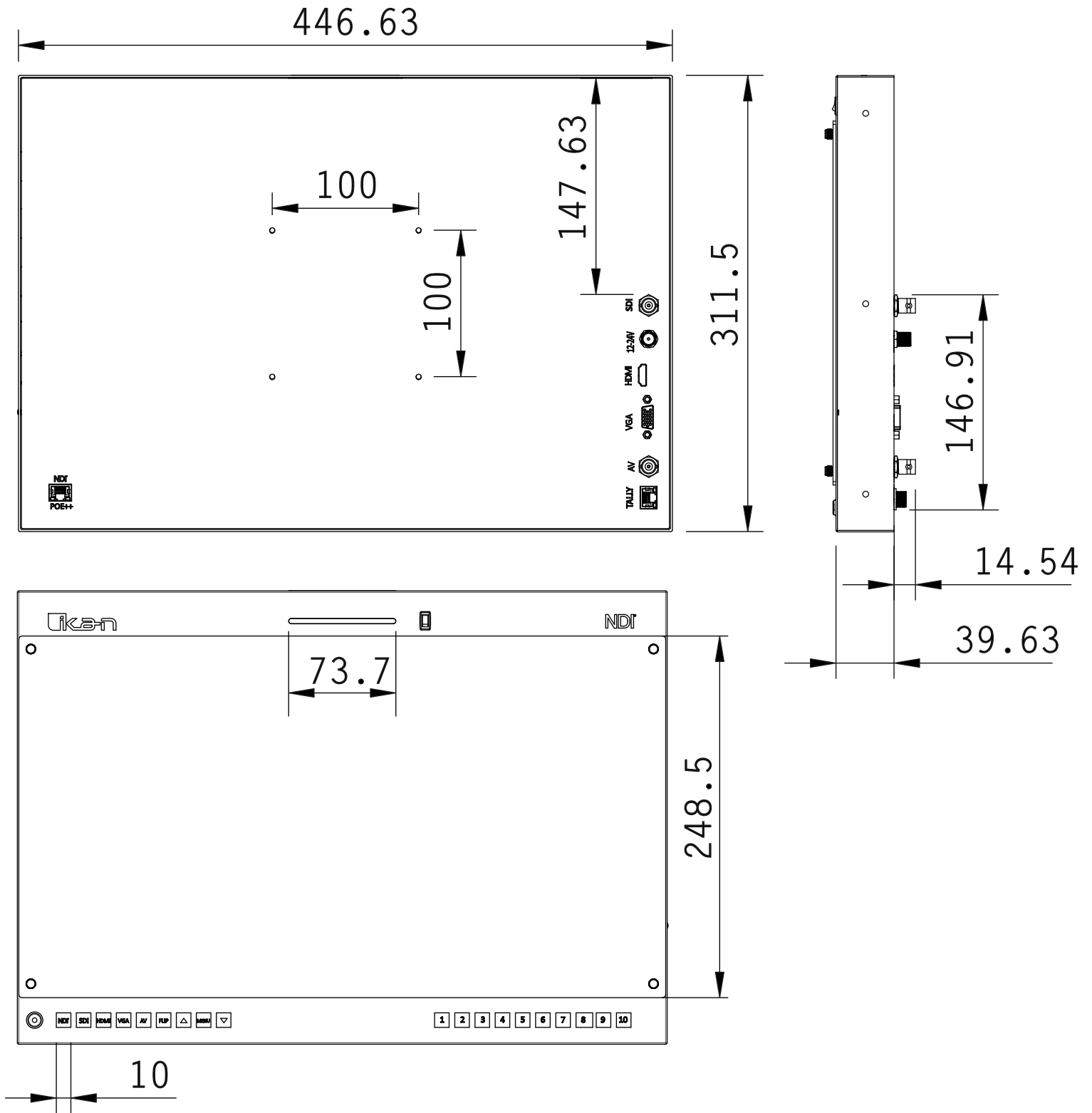
- Automatic Tally Integration:
  - No need for extra wiring or tally systems; the NDI protocol handles tally communication over the network.
- Enhanced Talent Communication:
  - Provides immediate visual feedback to on-camera talent, improving the flow of live productions.
- Simplified Workflow:
  - Especially useful in setups where the monitor and camera are mounted on the same teleprompter system, streamlining both video encoding and tally indications.

## **Notes:**

- Compatibility:
  - Ensure your mixing software supports NDI tally data. Most professional NDI-enabled applications like vMix do.
- Network Requirements:
  - Both the monitor and the mixing software must be connected to the same local network to communicate effectively.
- Monitor Settings:
  - The monitor must be in NDI Encoding Mode for the tally feature to function via NDI.
  - Check the monitor's IP address in the OSD menu under System > NDI IP if you experience connectivity issues.

By utilizing the NDI Tally Feature, the M19W-NDI monitor not only serves as a high-quality display but also enhances on-set communication, making it an invaluable tool for live broadcasts and productions.

# Dimensions (mm)



## Specifications

<b>M19W-NDI Specifications</b>	
Model	M19W-NDI
Aspect Ratio	16:9
Maximum Brightness	500 cd/m2
Screen Size (Diagonal)	18.5 in.
Mount	VESA 100mm
Video Inputs	SDI, HDMI, VGA
Input Voltage	DC 12v / 5A
Power Consumption	36W
Weight of Monitor	5.73 lbs.
Product Dimensions	18.3" x 12.3 x 1.2"
Native Resolution	1920 x 1080
Viewing Angle	178° (H) / 178° (V)
Build Material	Aluminum Chassis
Image Flip	Horizontal: Yes   Vertical: Yes
Tally Interface	RJ45



### **Certifications and Compliance**

- CE
- UKCA

### **Warranty Information**

Ikan Corporation provides a limited warranty for the M19W-NDI Monitor. Please refer to the warranty card included in the package or visit our website for detailed terms and conditions.

### **Contact Information**

For technical support, please contact:

#### **Ikan Corporation**

Website: [www.ikancorp.com](http://www.ikancorp.com)

Phone: (713) 272-8822

Email: [support@ikancorp.com](mailto:support@ikancorp.com)

Address: 10207 S Sam Houston Pkwy W, Suite 140, Houston, TX 77071

## Important safety information

Safe use of the system is possible only when this document is read completely and the instructions contained are strictly observed.

Failure to comply with instructions marked with the "NOTICE" symbol may result in serious damage to the system or one of its components.

Read all instructions before using this product.

Important safety information on LINAK® products can be found under the following heading(s):



### **DANGER**

Failure to comply with these instructions will result in severe personal injury.



### **WARNING**

Failure to comply with these instructions may result in severe personal injury.



### **CAUTION**

Failure to comply with these instructions can result in minor personal injury.



### **NOTICE**

Failure to comply with these instructions can result in property damage.

## READ AND SAVE THESE INSTRUCTIONS

## Informations importantes en matière de sécurité

Une utilisation sûre du système n'est possible que lorsque ce document est lu dans son intégralité et que les instructions qu'il contient sont strictement respectées.

Le non-respect des instructions marquées du symbole "AVIS" peut entraîner de graves dommages au système ou à l'un de ses composants.

Lisez toutes les instructions avant d'utiliser ce produit.

Des informations de sécurité importantes sur les produits LINAK® sont disponibles dans la ou les rubriques suivantes :



### **DANGER**

Le non-respect de ces instructions entraînera des blessures graves.



### **AVERTISSEMENT**

Le non-respect de ces instructions peut entraîner des blessures graves.



### **ATTENTION**

Le non-respect de ces instructions peut entraîner des blessures corporelles légères.



### **AVIS**

Le non-respect de ces instructions peut entraîner des dommages matériels.

## LIRE ET CONSERVER CES INSTRUCTIONS

## The DESKLINE® system

This system is a DESKLINE system developed for desks

### Intended use

This product is intended for use indoors in household and commercial usage areas.

Bench systems are intended for use in areas where children or people with cognitive disabilities are not anticipated to be present or, if present, closely supervised.

Parameter	Operation	Storage and transportation
Temperature	10 to 40 °C	-10 to +50 °C
Relative humidity	20% to 80% - non-condensing	20% to 80% - non-condensing
Atmospheric pressure	800 to 1060 hPa	700 to 1060 hPa
Altitude	Max. 2000 m	N/A



Do not use outdoors or in wet areas.



Do not use it in environments that have to be cleaned with aggressive detergents.

### Warranty

The warranty terms for DESKLINE products are described in this warranty paper:

<https://cdn.linak.com/-/media/files/warranty/warranty-paper-deskline-eng.pdf>

## Products

### DESKLIFT™ columns

#### DL5



- 2-part column
- PLUS™ (option)

#### DL6



- 3-part column
- PLUS™ (option)

### Control Box CBD6S

#### 200 W



- 230 V AC, 50 Hz
- 120 V AC, 60 Hz

#### 300 W



- 100-240 V AC, 50-60 Hz (universal)

### Desk panels

With up/down drive	<ul style="list-style-type: none"> <li>• DPA</li> <li>• DPB</li> <li>• DPH</li> </ul>	<ul style="list-style-type: none"> <li>• DP1K</li> <li>• DPF1K</li> <li>• DPG1K</li> <li>• DPI1K</li> </ul>
Desk panels with display	<ul style="list-style-type: none"> <li>• DPF1D</li> </ul>	
Desk panels with memory	<ul style="list-style-type: none"> <li>• DPF1M</li> </ul>	<ul style="list-style-type: none"> <li>• DPG1M</li> <li>• DPG1B</li> </ul>
Desk panels with display and memory	<ul style="list-style-type: none"> <li>• DP1CS</li> <li>• DPT</li> </ul>	<ul style="list-style-type: none"> <li>• DPF1C</li> <li>• DPG1C</li> <li>• DPI1C</li> </ul>

## Safety instructions

### Important safety instructions

#### General



#### **DANGER**

##### **Plugged-in products**

Risk of electric shock

- Always unplug this product from the electrical outlet before assembling, disassembling, cleaning, or servicing.
- Only use the product indoors in dry locations.



#### **WARNING**

##### **General precautions**

Risk of burns, fire, electric shock, or injury to persons

- Unplug from outlet before putting on or taking off parts.
- It is important that everyone who is to connect, install, or use the systems has the necessary information and access to this User Manual. Follow the instructions for mounting - there is a risk of injury if these instructions are not followed.
- Close supervision is necessary when this product is used by or near children, invalids, or disabled persons.
- If there is visible damage to the product, do not install or use the product.
- Ensure that the cable and the plug are not damaged, and keep the cable away from heated surfaces.
- Use this product only for its intended use as described in this User Manual. Do not use attachments not recommended by the manufacturer.
- Never insert any object into any opening.
- During construction of applications in which the system is to be fitted, there must be no risk of personal injury, for example squeezing of fingers or arms.
- Do not open the product.



#### **CAUTION**

##### **Objects above and below the desk**

Risk of personal injury and material damage

- Ensure free space above and below the application to avoid entrapment and blocking the movement in either direction.

## Before installation, re-installation, cleaning, or troubleshooting

- Stop the system.
- Unplug the power cable.
- Relieve the system of any loads, which may be released during the work.
- Review the assembly instructions to confirm that the appropriate critical components and accessories are being used with this product.

## Before start-up

- Make sure that the system has been installed as instructed in this User Manual.
- Make sure that the voltage of the system matches the mains voltage before connecting the system to the mains.
- Always use the supplied power cable.

## During operation

- If the system makes unusual noise or smells, unplug the mains cable immediately.
- Observe the maximum load/self-lock (per column)

Column	Max. load (N)	Self-lock (N)
DL5	800	800
DL6	800	800
DL6 High-speed	600	1200

- Duty cycle: 10 %, max. 2 minutes continuous use at full load followed by 18 minutes pause.
- Take care that the cables are not damaged.



## CAUTION

### Load on the desk

Risk of injury to persons and of malfunction

- Do not overload the frame.
- Place heavy load centrally on the desk.
- Do not use the desk as a work bench.
- Do not use the frame for lifting persons.
- Do not stand on the desk while it is driving up or down.



## NOTICE

### Duty cycle

Risk of malfunction

- Do not exceed the duty cycle.

## Repairs



## WARNING

### Opening the product

Risk of injury to persons

- Do not open the DESKLINE® product.

In order to avoid the risk of malfunction, all DESKLINE® repairs must only be carried out by authorised LINAK workshops or repairers, as special tools must be used and special gaskets must be fitted. Lifting units under warranty must also be returned to authorised LINAK workshops.



## WARNING

- This appliance can be used by children aged from 8 years, and by persons with reduced physical, sensory or mental capabilities, or lack of experience and knowledge, if they have been given supervision or instruction concerning use of the appliance in a safe way and understand the hazards involved.
- Children shall not play with the appliance. Cleaning and user maintenance shall not be made by children without supervision.

### Only for US and Canadian markets

- Persons who do not have the necessary experience or knowledge of the product/products must not use the product/products. Besides, persons with reduced physical, sensory, or mental abilities must not use the product/products, unless they are under surveillance or they have been thoroughly instructed in the use of the apparatus by a person who is responsible for the safety of these persons.
- Moreover, children must be under surveillance to ensure that they do not play with the product.
- It is the operator's responsibility to ensure that there is free space for the application to move without risk for the operator or bystanders before operating the application.

## Consignes importantes de sécurité



### AVERTISSEMENT

- Cet appareil peut-être utilisé par des enfants âgés de 8 ans et plus, ainsi que les personnes dont les capacités physiques, sensorielles ou mentales sont réduites ou ayant un manque d'expérience et de connaissance si elles ont bénéficié d'une surveillance ou d'instructions concernant l'utilisation de l'appareil en toute sécurité et compris les risques encourus.
- Les enfants ne doivent pas jouer avec l'appareil. Le nettoyage et l'entretien ne doivent pas être réalisés par des enfants sans surveillance

### Seulement pour les marchés américains et canadiens

- Les personnes qui n'ont pas l'expérience ou les connaissances nécessaires sur le ou les produit(s) ne doivent pas le ou les utiliser. Par ailleurs, les personnes ayant des capacités physiques, sensorielles ou mentales réduites ne doivent pas utiliser le ou les produit(s), sauf si elles sont sous surveillance ou ont suivi une formation approfondie de l'utilisation de l'appareil par l'individu responsable de la sécurité de ces personnes.
- De plus, les enfants doivent-être sous surveillance afin de s'assurer qu'ils ne jouent pas avec le produit.
- Il est de la responsabilité de l'opérateur de s'assurer qu'il y a de l'espace libre pour que l'application puisse se déplacer sans risque pour l'opérateur ou les passants avant d'utiliser l'application.



### ATTENTION

#### Charge sur le bureau

##### Risque de dommages corporels et de dysfonctionnement

- Ne pas surcharger le cadre.
- Placer la charge lourde au centre du bureau.
- Ne pas utiliser le bureau comme table de travail.
- Ne pas utiliser le cadre pour soulever des personnes.
- Ne vous tenez pas debout sur le bureau pendant qu'il monte ou descend.

# Declaration of Conformity

LINAK A/S  
Smedevænget 8  
DK - 6430 Nordborg

hereby declares under our sole responsibility that LINAK DESKLINE® Actuator System, model: **CBD6S**, for use in elevation tables, composed of:

Control Box(s)            CBD6Sa000b0A-c09,  
(Where -a: can be P, C or H, -b: can be 2, 3 or 4 and -c: can be 0 or 7)

together with an optional combination of:

Linear Actuator(s)            **LA31:** 31abcH-defff50S, (Where -a: can be 1, 3, 6 or 7; - b can be from 1 to 8, or A or B; - c can be from 0 to 4; - d can be 0 or 1; - e can be 0 or 1; - fff can be max 500)

Built in actuator(s)            **DB5, DB6, DB14:** DBabbcdefghhiii, (Where: - a: can be 5, 6 or 14;; - b: can be 0, 1, 3, 4 or 9; - c: can be 0, 1, B, L or S; - d: can be 0, 1 or 2; - e: can be 0, A, B or X; - f: can be 0, or A; - g: can be from 0, M, S, E, T or V; - hhh: can be from 000 to 675; - iii: can be from 000 to 630);

Lifting Column(s)            **Standard columns:** DLabcdeffghhiii, (Where: - a: can be 1A, 4S, 5, 6, from 8 to 12, from 14 to 21; - b: can be 0,1, 2, 3, 4 or 5; - c: can be 0, A, B, D, W or x; - d: can be 0, 1, L, R or X; - e: can be A, B, D or X; - f: can be 0, N, M, P or x; - g: can be 0, E, T or V; - hhh: can be from 600 to 1100; - iii: can be from 000 to 785);  
**DL12:** DL12abcdeffghh (where - a can be A or B; - b can be 0 or E; -c can be 0, L, R or X; - d can be A, B, D or X; - e can be 0 or M; - f can be 0 or E; - ggg can be max 1100; - hhh can be max 785)  
**DL7:** DL73a0b00470645 (where - a can be 0 or R; - b can be A, B, C or D)  
**DL2:** DL2abCdeffggg (where - a can be 3, 6 or 7; - b can be from 0 to 3; - c can be A or B; - d can be 0, F or G; -e can be from 0 to 7; - fff can be from 300 to 500; -ggg can be from 445 to 655)  
**DF2L:** DF2La0000bcP0dddeee (Where -a: can be 05, 06, 18, 19; -b can be 0, V, H; -c can be A, B, D; -ddd can be from 500 to 665; eee can be from 475 to 602)  
**BASELIFT:** BASE1000A0F100100  
**LC1:** LC1aaaxxbbbb0cd0eee0Gf4+g (where -a can be 060 or 100; -xxx can be 200 to 665; -bbbb can be numbers or letters; -c can be 0, H or M; -d can be A, B or C; -eee can be from 275 to 560; -f can be 0, 1 or 2; and -g can be A or E.

Desk Panel(s)            DPA, DPB, DPH, DPF1K, DPF1M, DPF2K, DPF3K, DPF1C, DPF1D, DPF1U, DPF1W, DPF4T, DPG1K, DPG1M, DPG1B, DPG1C, DPT, DP1V01, DP1CS, DP1K, DP1U, DP2K, DP3K, DPN, DPWA, DPI-K, DPI-C

Accessories            BLE2LIN (BLE2LIN002, BLE2LIN003), DESK SENSOR 1, USB2LIN, DCCconnector, CHUSB, BA001, BP10BL

Complies with EMC Directive: **2014/30/EU** (OJ L 96, 29.3.2014, p. 79–106) according to following standards: EN 61000-6-2:2005/AC:2005, EN 61000-6-3:2007/A1:2011/AC:2012 (and subsequent EN 61000-3-2:2014 and EN 61000-3-3:2013)

Complies with Low Voltage Directive **2014/35/EU** (OJ L 96, 29.3.2014, p. 357–374) according to the standard: EN 60335-1:2012+AC:2014+A11:2014+A13:2017+A1:2019+A14:2019+A2:2019+A15:2021 EN 62233:2008 + AC:2008

Complies with Directive **2011/65/EU** of the European Parliament and of the Council of 8 June 2011 on the restriction of the use of certain hazardous substances in electrical and electronic equipment (OJ L 174, 1.7.2011, p. 88–110) and Directive **2015/863** (OJ L 137, 4.6.2015, p. 10–12) (amending Annex II to Directive 2011/65/EU) according to the standard: EN IEC 63000:2018

Additionally, BA001 complies with Battery Regulation (EU) 2023/1542 Article 6.

And the applicable Desk Panels and Accessories complies with the Radio Equipment Directive **2014/53/EU** (OJ L 153, 22.5.2014, p. 62–106) according to the standards listed in the RED DoC for the individual radio products.

Other specification:

The system does also comply with the standard: EN 61000-6-2:2019 and EN 13849-1:2015 SRP/CS Cat. B, PL = b and SRESW PL = b, Note 1: Exempted CBD6S with SW03003007 printed on the label.

Nordborg, 2024-08-14

LINAK A/S  
Dragan Macura  
Regulatory Compliance Manager  
Deskline and Homeline Segments  
Authorized to compile the relevant technical documentation

Original Declaration

# Manufacturer's declaration

## DECLARATION OF INCORPORATION OF PARTLY COMPLETED MACHINERY

**LINAK A/S**  
Smedevænget 8  
DK - 6430 Nordborg

Herewith declares that LINAK DESKLINE® products as characterized by the following models and types:

**Control Boxes:** CBD6Sa000b0A-c09 (Where -a: can be P, C or H, -b: can be 2, 3 or 4 and -c: can be 0 or 7)

**Linear Actuators:** LA31

**Built in actuator(s):** DB5, DB6, DB14,

**Lifting Columns:** DL1A, DL4S, DL2, DL5, DL6, DL7, DL8, DL9, DL10, DL11, DL12, DL14, DL15, DL16, DL17, DL18, DL19, DL20, DL21, LC1

**Desk Panels:** DPA, DPB, DPH, DPF1K, DPF1M, DPF2K, DPF3K, DPF1C, DPF1D, DPF1U, DPF1W, DPF4T, DPG1K, DPG1M, DPG1B, DPG1C, DPT, DP1V01, DP1CS, DP1K, DP1U, DP2K, DP3K, DPN, DPWA, DPI-K, DPI-C

**Accessories:** BLE2LIN002, BLE2LIN003, DESK SENSOR 1, USB2LIN, DCConnector, BA001

complies with the following parts of the Machinery Directive 2006/42/EC, ANNEX I, *Essential health and safety requirements relating to the design and construction of machinery*:

- 1.1.2 a) Special use\*
- 1.1.2 b) Selection of the most appropriate methods\*
- 1.1.2 c) Foreseeable misuse\*
- 1.1.2 d) Operator constraints due to the use of personal protective equipment\*

1.1.3 Materials and products\*

- 1.2.1 Safety and reliability of control systems
- 1.2.2 Control devices. Shape, readability, overview\*
- 1.2.3 Starting\*
- 1.2.4 Stopping\*

- 1.5.1 Electricity supply
- 1.5.10 Radiation. EMC. Emission of electromagnetic radiation, X-rays,  $\gamma$ -rays\*
- 1.5.11 External radiation\*

\*need to be further evaluated in the end product

We confirm that prior to market introduction the relevant technical documentation is compiled in accordance with part B of Annex VII and the assembly instruction pursuant to Annex VI.

This documentation or part hereof will be transmitted by post or electronically to a reasoned request by the national authorities.

The products mentioned in this document are to be combined for use in height adjustable furniture.

**This partly completed machinery must not be put into service until the final machinery into which it is to be incorporated has been declared in conformity with the provisions of the Machinery Directive 2006/42/EC where appropriate.**

Nordborg, 2024-02-21

**LINAK A/S**  
Dragan Macura  
Regulatory Compliance Manager  
Deskline and Homeline Segments  
Authorized to compile the relevant technical documentation

Original Declaration

## Installation



### WARNING

#### Plastic bags

##### Risk of suffocation

- Keep the plastic bags away from babies and children.



LINAK recommends using the DESKLINE® system in push applications with the motor housing mounted upwards.



Do not bolt the columns to the floor so that free movement is obstructed. This could cause serious damage to the columns in fault situations.

## Mounting the column

### Mounting the motor housing

The motor housing has six M6 threaded holes for mounting on the top frame.

1. Mount the motor housing on the top frame using six M6 screws with the following specifications:  
Quality: Min. grade 8.8  
Length: Max. 10 mm (plus top frame thickness). The screw must not go further than max. 10 mm into the motor housing
2. Fasten the screws thoroughly (torque: max. 7.5 Nm).

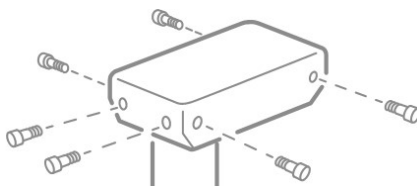


Figure 1 Always use six M6 screws for mounting the motor housing on the top frame

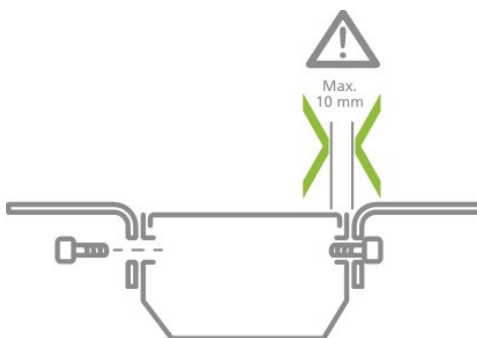


Figure 2 Mounting screws must not go further than max. 10 mm into the motor housing



Sufficient stability of the desk is only obtained if all six M6 screws are used for mounting the motor housing on the top frame. Tests with fixing the motor housing using only four M6 screws have proved that the torsional stability of the desk is insufficient.

Alternatively, use the Kick & Click™ top frame and avoid screws to get easy desk assembly. Visit the [Kick & Click](#) product website for further details.

## Mounting the feet

### On-top or recessed

The bottom plate has four M6 and two M8 threaded holes.

1. Mount the desk foot on the column bottom using four M6 or two M8 screws with the following specifications:  
 Quality: Min. grade 8.8  
 Length: Min. 10 mm (plus foot thickness);  
 Max. 16 mm (plus foot thickness) for M6  
 Max. 14 mm (plus foot thickness) for M8
2. Fasten the screws thoroughly (torque: max. 10 Nm).

The holes in the foot must be sufficiently larger than  $\varnothing 6/\varnothing 8$  to ensure space for the screw heads to be screwed fully into the foot.

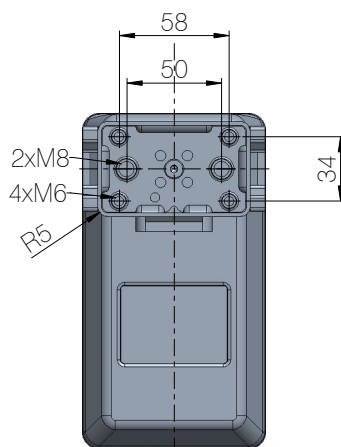


Figure 3 Bottom plate

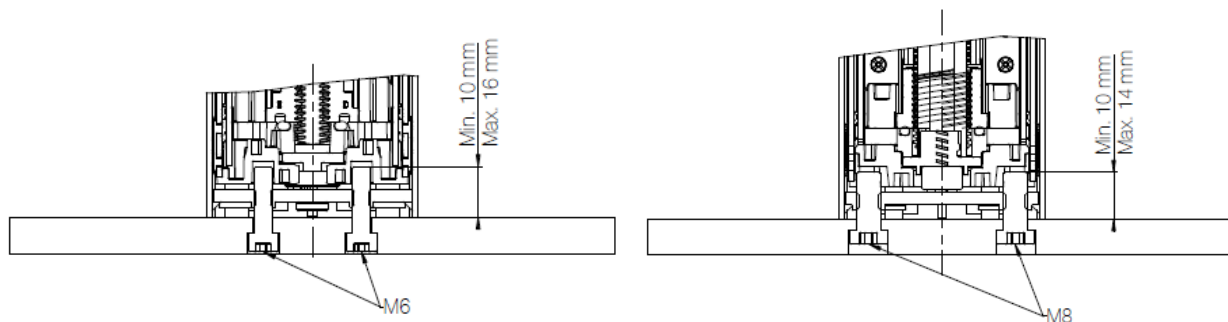
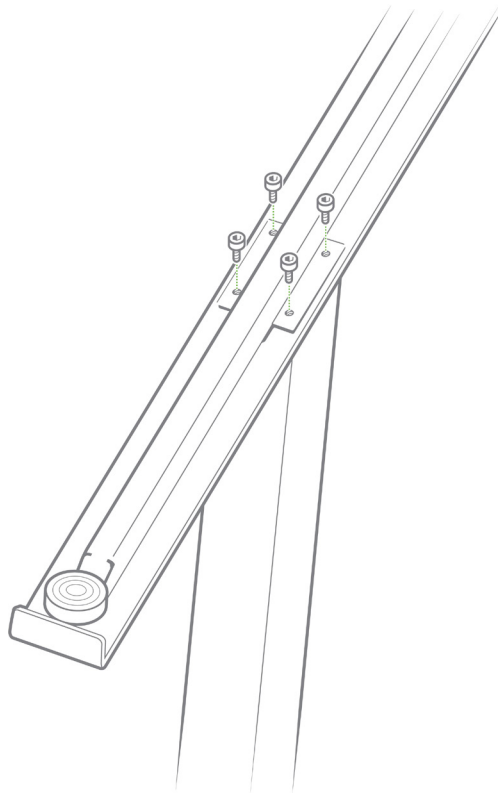
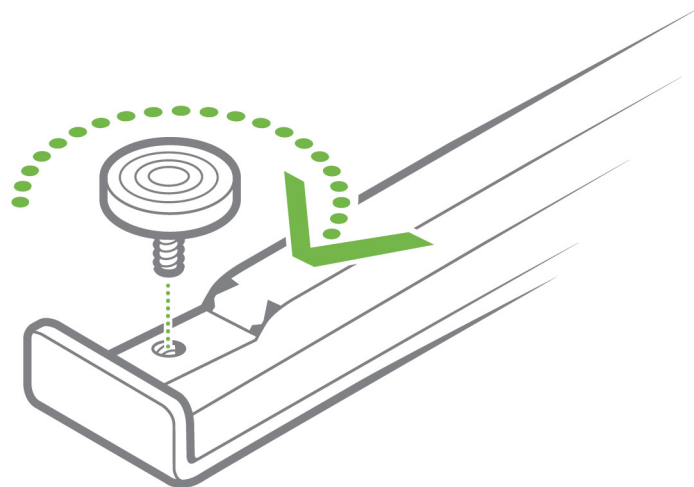


Figure 4 Column bottom mounted on desk foot (left: M6; right: M8)

1. Mount the feet on the columns using supplied screws. Max. torque: 10 Nm.

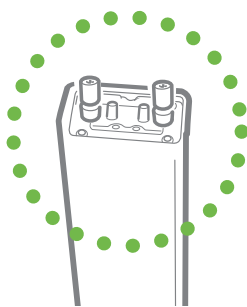


2. Mount the adjustment screws.



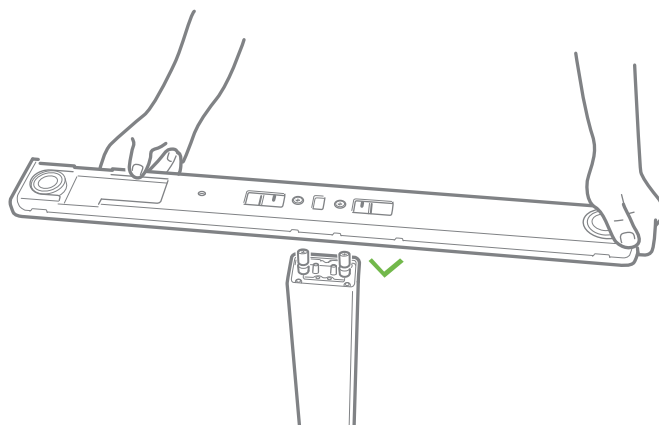
## Click-on

The Click-on Feet can only be used with columns with pre-mounted mounting screws and plastic plate.

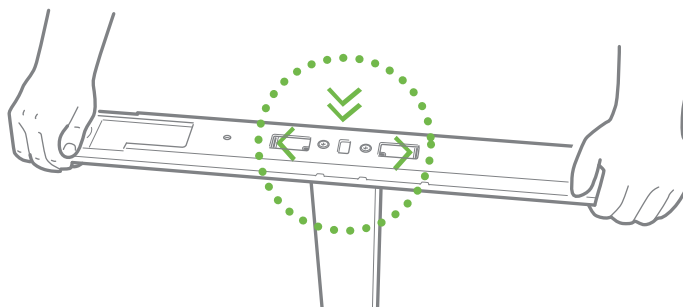


## Mounting

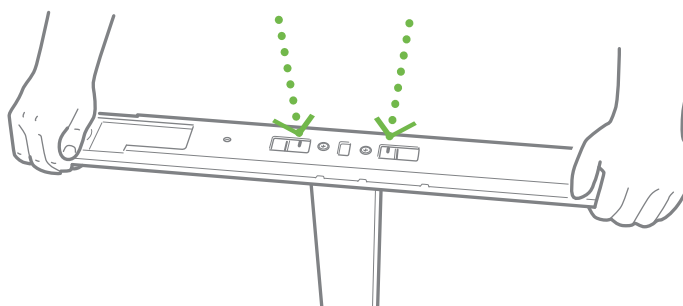
1. Align the holes in the foot with the screws on the column.



2. Press down quickly until a 'Click' is heard.



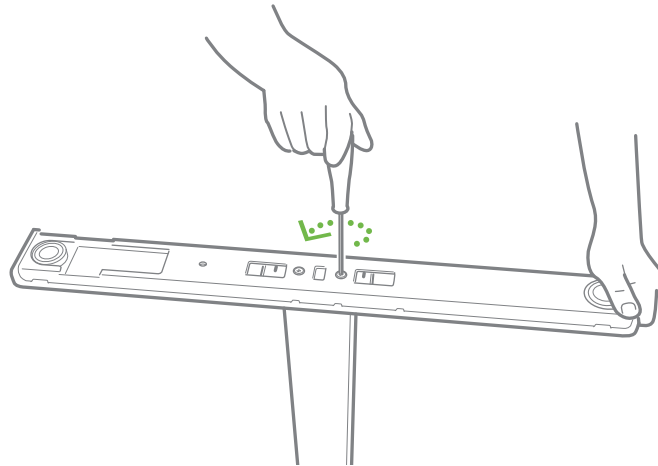
3. Ensure that locking plates snap inwards and lock the screws.



The foot is now mounted on the column.

## Disassembly

1. Unscrew the two M8 screws until both mounting screws are loosened completely. Switch between the two screws after approximately five turns.

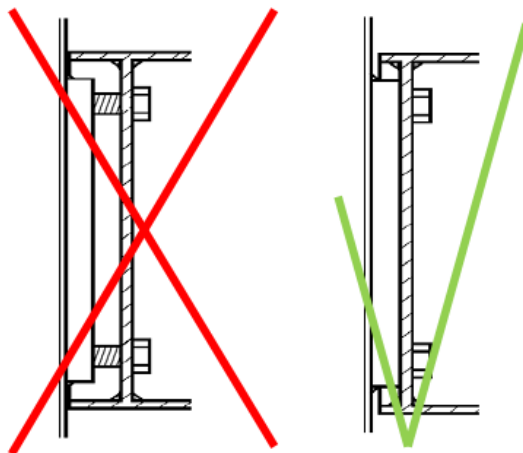


2. Remove the foot from the column.

## Column with bracket

When mounting a crossbar or a cross member on a bracket, it is important to ensure that the bracket is not pulled from the column when tightening the crossbar / cross member.

Follow these guidelines when constructing a desk:



Do not pull the bracket from the column when tightening the screws for the assembly.



The maximum torque for tightening the screws in the bracket is 15 Nm.

To avoid damage to the column there must be at least 1 mm space between the ends of the two M8 screws for the mounting bracket and the column surface. Too long screws will damage the column.

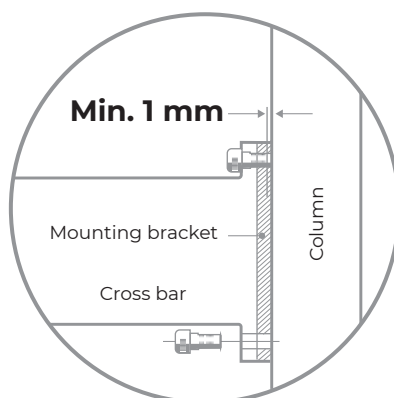


Figure 5 Requirement: Min. 1 mm space between ends of screws and column surface

## Mounting the tabletop

The sound from the lifting column spreads as vibrations to the tabletop which amplifies the sound. This can, however, be reduced.

1. Place vibration/shock-absorbing material between tabletop and top frame.

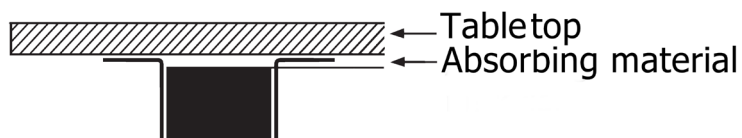


Figure 6 Assembled desk

## Placing the monitor

Placement of a monitor directly above the motor housing may cause malfunction of the monitor. Magnets inside the motor may interrupt the picture on the monitor depending on the distance and type of monitor. If this is the case, the problem may be solved by placing an iron plate/tube or another magnetic material, somewhat larger than the motor housing, between the motor and the tabletop.

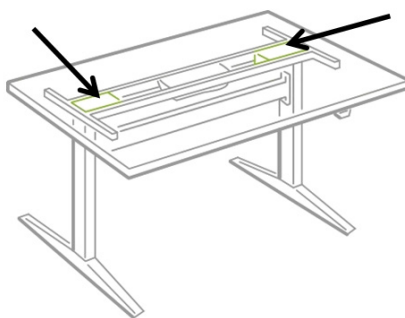
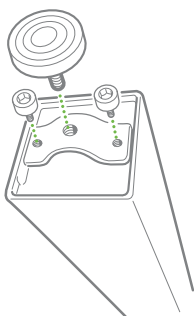


Figure 7 Recommended placement of an iron plate/tube or another magnetic material

## Assembly of bench systems

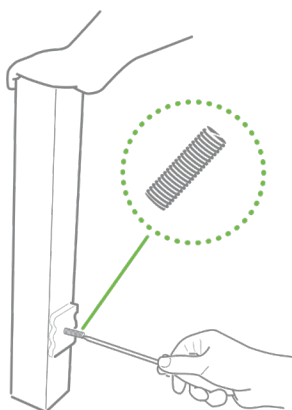
### Assembling the top frames

1. Assemble both top frames and mount them on the tabletops.
2. Mount the columns.
3. Mount the feet
  - 3.1. Mount the bench feet on the columns using two M8 mounting screws.
  - 3.2. Mount the adjustment screws.

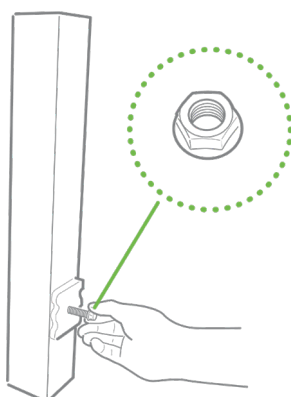


### Assembling the bench system

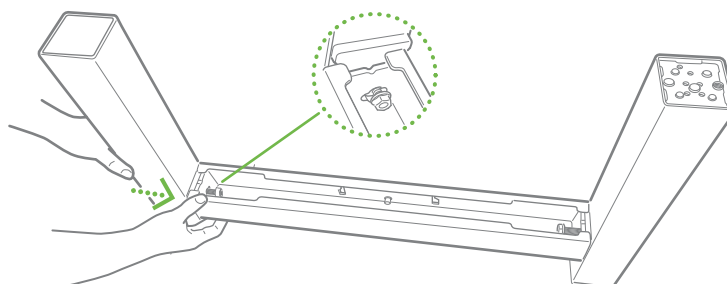
1. Mount the cross members.
  - 1.1. Mount the M8 x 40 mm threaded pins in the bench brackets on the columns.
  - 1.2. Use a screwdriver to fasten the pins (max. torque 2 Nm).



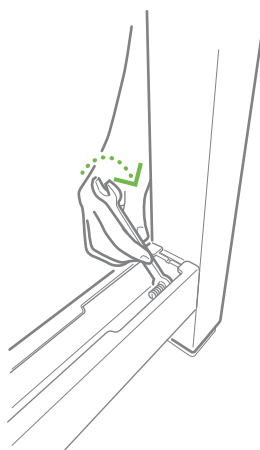
- 1.3. Mount a hex flange nut on each pin.



- 1.4. Place the cross members on the pins using the guiding holes in the cross members. The opening in the cross member must face upwards.



- 1.5. Fasten the hex flange nuts by hand and tighten them using an M8 wrench (max. torque 16 Nm).



The bench system is now assembled.

## Bench options

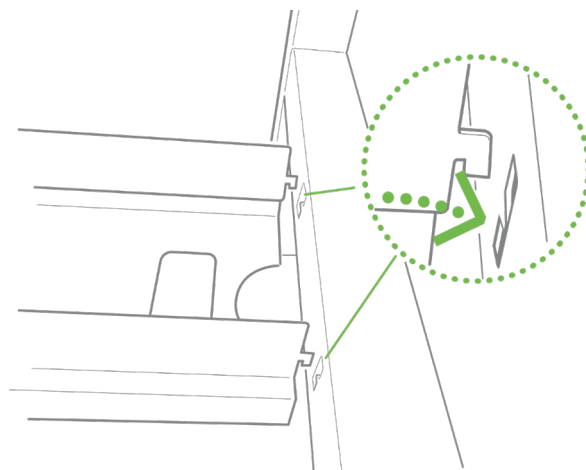
### Cable tray

A cable tray can be mounted in a bench system to ease cable management.

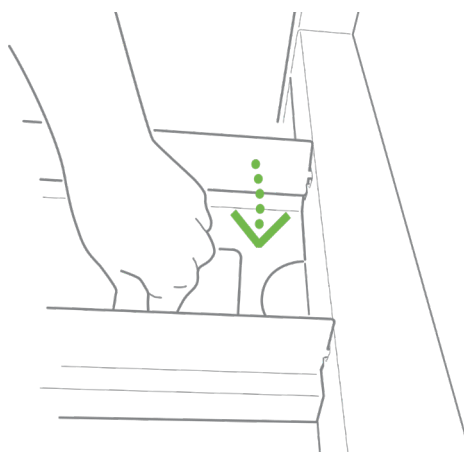


Be careful not to squeeze cable or fingers when adjusting the cable tray length.

1. Place the hooks on the cable tray bottom part in the slots on one of the cross members.



2. Press down until a click is heard and the cable tray is fixed in place.



3. Extend the cable tray to fit the distance between the cross members and mount the cable tray on the other cross member.
4. Extend the cable tray top part to fit the bottom part length and place the top part on the bottom part.

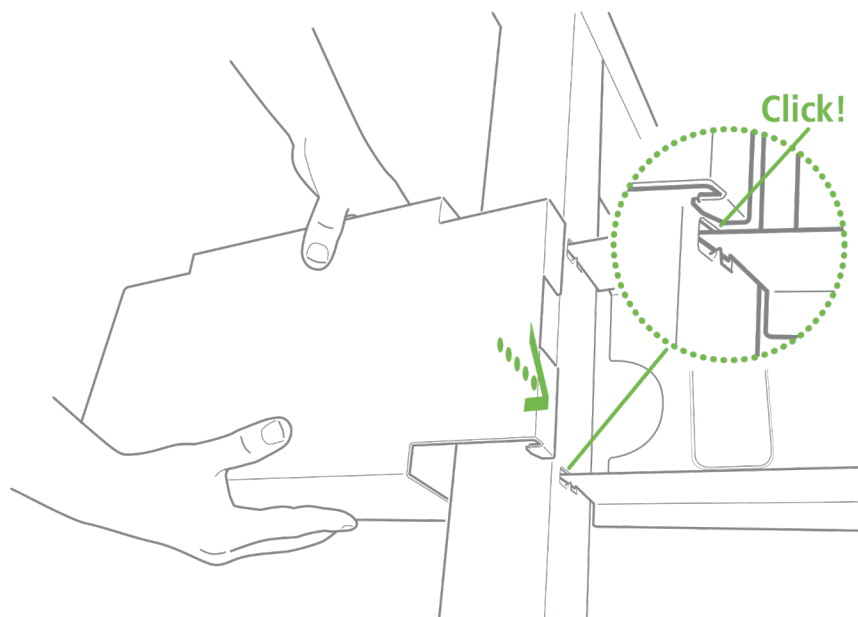


Do not use the cable tray as a foot rest, a stair, or a shelf. There is a risk of falling down and getting squeezed or injured.

## Bridge

For connecting multiple bench systems, use a bridge.

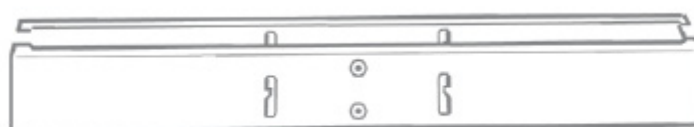
1. Place the bridge on top of the cross member on two bench systems and press down until a click is heard.



The two bench systems are now connected.

## Privacy screen option

The cross members have two M6 holes for mounting a privacy screen between two benched desks.



Max. torque: 10 Nm.

## Bench system notes

In case DS1 devices are installed in the bench system, please note:



If one of the desks is driving up or down, and the other desk is being pushed or suddenly moves, the benching may cause the DS1 to trigger and stop the driving of the desk.

## DESKLINE bench systems

For creation of a complete DESKLINE bench system, join two assembled desks by use of two cross members. Mount bench feet on the columns.

## Mounting the CBD6S



Do not pack the CBD6S in heat-insulating material.  
Place the CBD6S so it can emit heat through its surface to the surroundings.

1. Plug the mains cable into the CBD6S.
2. Place the mains cable in the groove for cable relief.



3. If needed, place the other cables in the grooves to optimise the desk design and manage the system cables.



4. Mount the CBD6S using two screws with a head diameter of 10 mm (8 to 10 mm can be used).
5. Fasten the mounting screws (max. torque 1 Nm).

### Notes:

- If the control box is mounted in a top frame bar with the width of the motor housing, it can be mounted with one screw only
- The surface to which the control box is mounted should have an evenness better than  $\pm 0.5$  mm
- The control box can also be mounted using one or two M6 nuts and screw counterparts
- The mains plug must be accessible when the CBD6S is mounted so that the supply to the CBD6S can be disconnected if replacement is required



The builder of the equipment shall ensure that the use of the component complies with relevant standards – such as the Machine Directive. Care must be taken to avoid squeezing of cables as it can cause movement of the system!



The control box must only be connected to the voltage stated on the label.



It is important to ensure that the motor cables are fixed, but not tightened, near the control box **and** near the columns.

Fix the cable to the tabletop using a clip observing the **30 mm minimum bending radius (R)**.



## Connecting the system

1. Connect the first DL/DB to socket 1 next to control port A2 on the control box using the 6-pin plug on the motor cable. Channel 1 is the channel closest to the control port.
2. Connect further DL/DB to sockets 2, 3 and 4 in sequence.
3. Connect the desk panel to control port A1 or control port A2.
4. Check that the voltage stated on the label corresponds to the mains power. If not, do not plug in the mains cable.
5. Plug in the mains cable.
6. Switch on the power.

## Initialising the system

### Downward direction

1. Press the desk panel to drive the desk down. Keep pressing the desk panel. The legs/actuators run down to the "buffer" causing cut-off due to excess current, after which they run approx. 3 mm upwards and thereby free of the "buffer".
2. Release the desk panel when the movement stops.

The system is now initialised in downward direction.

### Upward direction

PIEZO columns (IID):

No initialisation in upward direction required.

Non-PIEZO columns (no IID):

The first two times the system moves into end stop in upward direction, the system runs approximately 5 mm back to initialise in upward direction.

## Operation



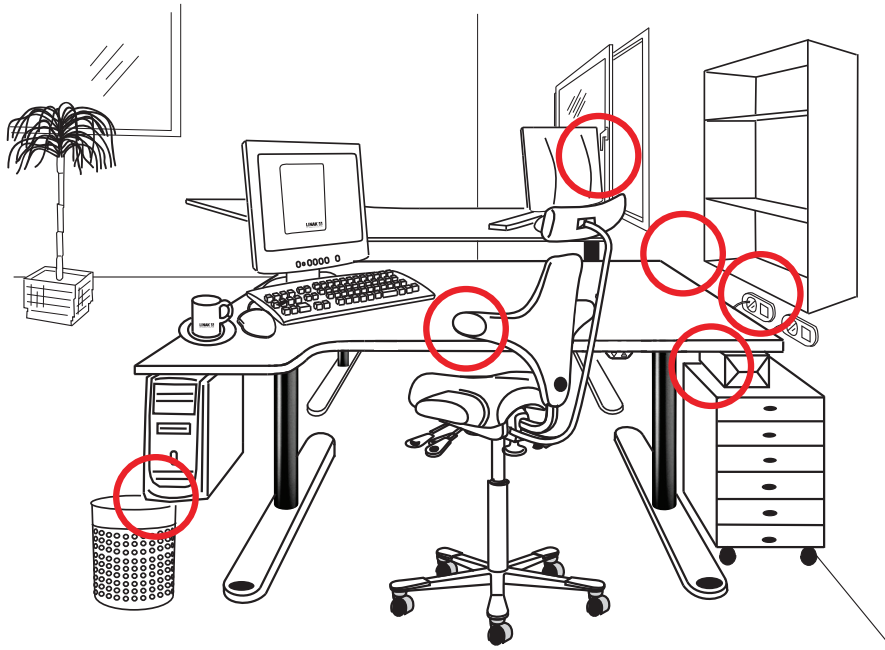
This document describes the DESKLIFT™ column system. For more information on the operation of the system, please refer to the relevant desk panel/control User Manual which is available here:

<https://www.linak.com/user-manuals/deskline/>.

## Anti-collision

### Anti-collision systems

When using height-adjustable desks there is always a risk of driving the desk into an object – solid or soft. This could cause damage to the desk or the object or – if the desk tilts – damage to computers, monitors, and other objects placed on or close to the desk.

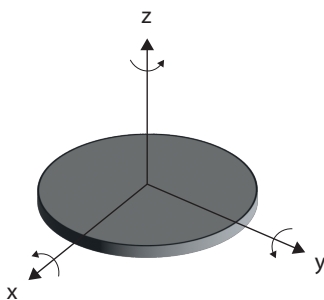


There are various ways to protect the desk from being damaged when driven into such objects. This feature is called an anti-collision system. To a certain extent, this feature also increases the personal safety, but it does not comply with the legislation covering personal safety.

The way to minimise the damage to a desk is fast detection of a collision with an object followed by reverse driving of the desk.

LINAK® offers three types of anti-collision systems.

- Gyroscopic sensor
- Piezo-electric sensor



## Gyroscope

The gyroscopic sensor reacts on even the smallest tilting in any direction with respect to its position at the beginning of the desk drive. When the desk runs into an object, the tabletop will start tilting and the gyroscopic sensor detects a collision.



DS1



DPF



DPI

## Troubleshooting

The gyroscopic sensor is very sensitive and may cause false triggering if not mounted correctly.

To achieve the best possible performance of the gyroscopic sensor, please observe the following:

### DS1:

Install the DS1 on the tabletop via either a CBD6S or a T-splitter.

### Desk panels:

Mount the desk panel on a surface that is flat and without any bulges.

Mount the desk panel on a hard surface.

Do not place soft material between the tabletop surface and the desk panel.

In case of false triggering, please check this list:

- Make sure that the control box or T-splitter is fixed securely to the table (only relevant for DS1).
- Make sure the cables connected next to the DS1 in the control box or T-splitter are fastened thoroughly and **cannot** touch the DS1.
- If the desk is unstable, it may result in false triggering. Make sure the desk is stable and cannot tilt back and forth by adjusting the screws under the feet.
- Make sure that no objects, such as cables or furniture under the desk, can stop the driving up or down of the desk.
- If none of the above helps:
  - unplug the DS1/desk panel
  - wait 10 seconds
  - plug the DS1/desk panel back in

## Piezo-electric sensor

The piezo-electric sensor is an integrated electronic sensor, which reacts on load changes. If the desk drives into an obstacle, the load changes. This load change is picked up by the piezo-electric sensor and the signal is sent to the control box.



Do not use the DL column with PIEZO in combination with a crossbar or a foot construction where you place the column in a tube welded on the foot.

## Maintenance

Clean dust and dirt from the outside of the system at appropriate intervals and inspect for damage and breaks.

Inspect connections, cables, and plugs without disconnecting, and check functioning as well as fixing points.



### CAUTION

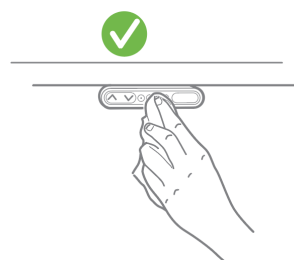
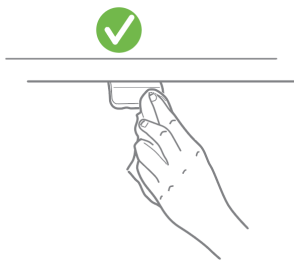
#### Loose screws

Risk of loss of stability

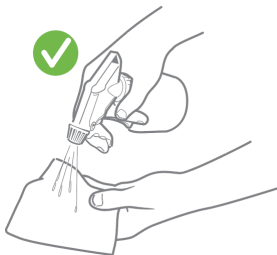
- Check for loose screws on a regular basis. Fasten if necessary.

## Cleaning the desk panel

Clean your desk panel with a soft damp cloth. Universal cleaning detergents may be used.



For disinfection of the desk panel, use a 70 percent isopropyl alcohol either as a wipe or add a small amount to a soft cloth.

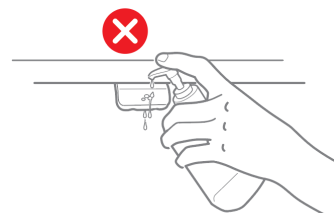
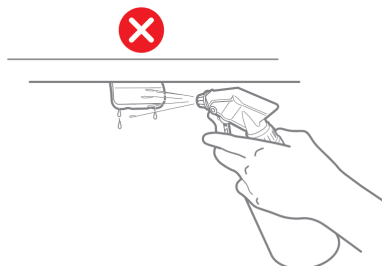


### CAUTION

#### Risk of damaging the desk panel

The desk panel is not a sealed unit and there are electronics inside it.

- Ensure that liquids or moisture does not enter an opening. It may damage the PCB and ruin the desk panel.
- Avoid spraying the cleaning agent or disinfectant directly on the desk panel.



- Cleaning agents and disinfectants must not be highly alkaline or acidic (pH value must be 6 to 8), and they must not contain bleach or chlorine.
- Do not use hand sanitizer gel as a cleaning agent.

## Repair and disposal



### WARNING

#### Opening the product

Risk of injury to persons and of malfunction

- Do not open the product unless you are authorised to do so.

Only an authorised LINAK® service centre should repair the LINAK products. Products to be repaired under warranty must be sent to an authorised LINAK service centre.

In order to avoid the risk of malfunction, all product repairs must only be carried out by an authorised LINAK Service shop or repairers, as special tools and parts must be used.


If a product is opened by unauthorised personnel there is a risk that it may malfunction at a later date.

LINAK systems or components may be disposed of, possibly by dividing them into different waste groups for recycling or combustion.

We recommend that our product is disassembled as much as possible at the disposal and that you try to recycle it. LINAK systems or components should be disposed of in accordance with the environmental regulations applicable in the respective country.

Almost all our cast plastic parts are supplied with an interior code for plastic type and fibre contents, if any.

## Servicing double-insulated products

In a double-insulated product, two systems of insulation are provided instead of grounding. No grounding means is provided on a double-insulated product, nor is means for grounding to be added to the product. Servicing a double-insulated product requires extreme care and knowledge of the system, and is to be done only by qualified service personnel. Replacement parts for a double-insulated product must be identical to the parts they replace. A double-insulated product is marked with the words "Double insulation" or "Double insulated." The symbol  (square within a square) can also be marked on the product.

Updated manuals and declarations can always be found at:  
<https://www.linak.com/user-manuals/deskline/>.

## Accessories and spare parts

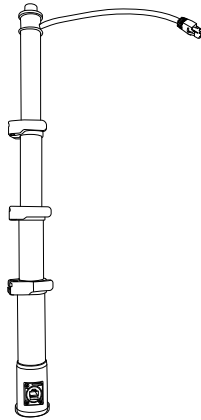
### Accessories

Order from your nearest LINAK® sales office, distributor or subsidiary.

### Spare parts

Please contact your nearest LINAK sales office for information on spare parts.

## Extendable PoE Light Stand / Hanger



## 1. Specifications

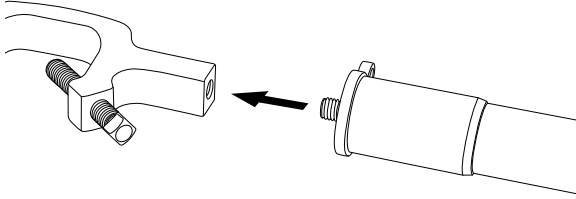
General Specifications	
Material	Aluminum
Min Height	9.9"   253mm
Max Height	22.8"   580mm
Net Weight	1.4lbs   660g
Stages/Sections	4
Payload Capacity	17.6lbs   8kg
Screw Thread Sizes	Male 1/2" -13 Screw (for Mega Clamp) Female 1/4" -20 Screw (for Teleprompter) Female M12-1.75 (For Light)

## 2. What's Included

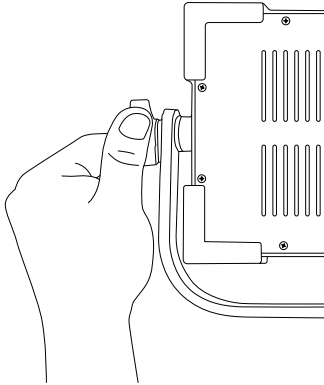
Quantity	Item
1x	Boompole with 1/2" - 13 screw bottom plate and XLR Cable
1x	1/4" -20 screw bottom plate
1x	S-048 Safety Wire

### 3. Setup Guide - For Hanger/Grid Use

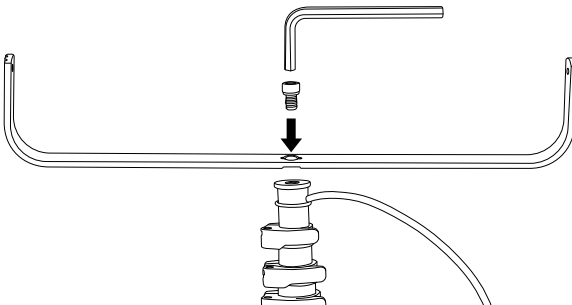
1. Screw the top part of your light pole into the Mega Clamp. Fasten tightly.



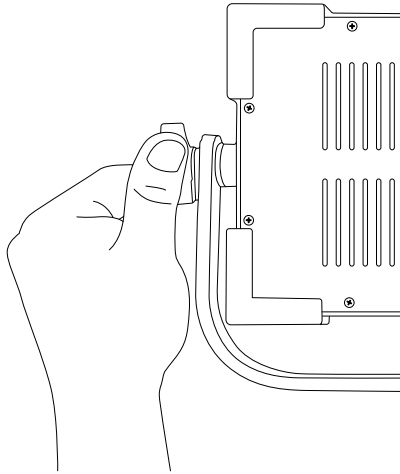
2. Detach the yoke from your Ikan light.



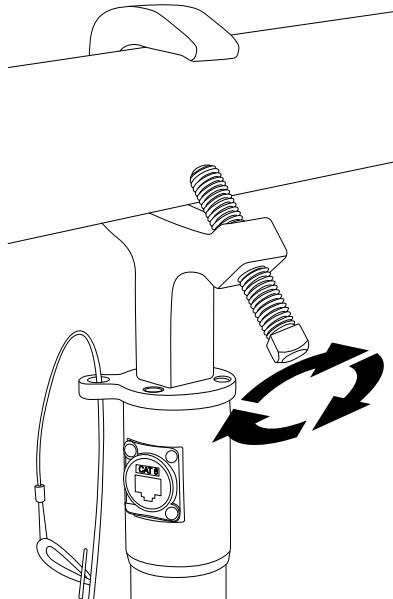
3. Screw the yoke into the top of your light pole using the M12 (1.75) screw. Fasten tightly.



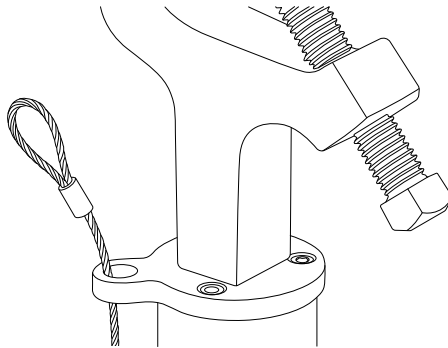
4. Reattach the yoke (now connected to the light pole) to your Ikan light.



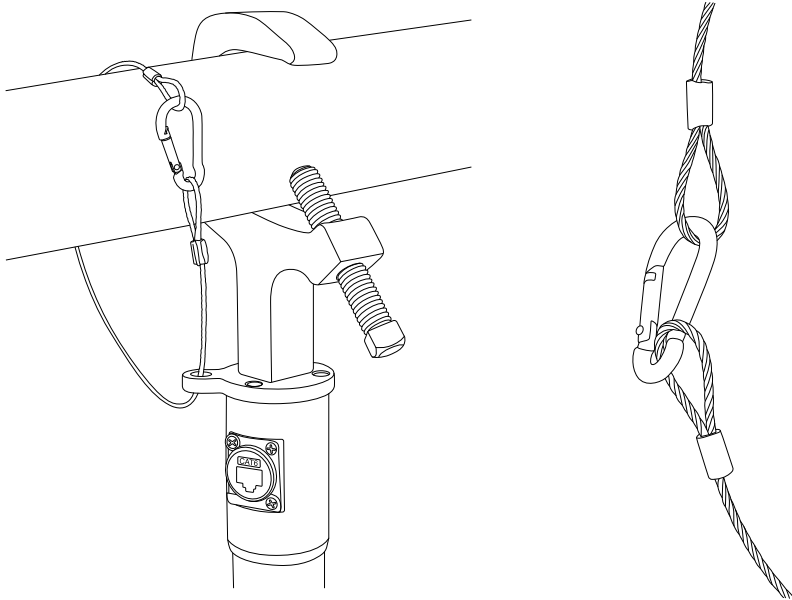
5. Use the Mega Clamp's screw to fasten the assembly onto the pipe of your lighting grid. Fasten tightly.



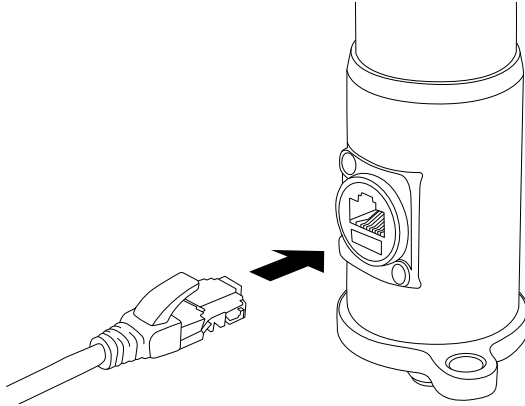
6. Feed the safety wire through the safety hole on the top part of the light pole.



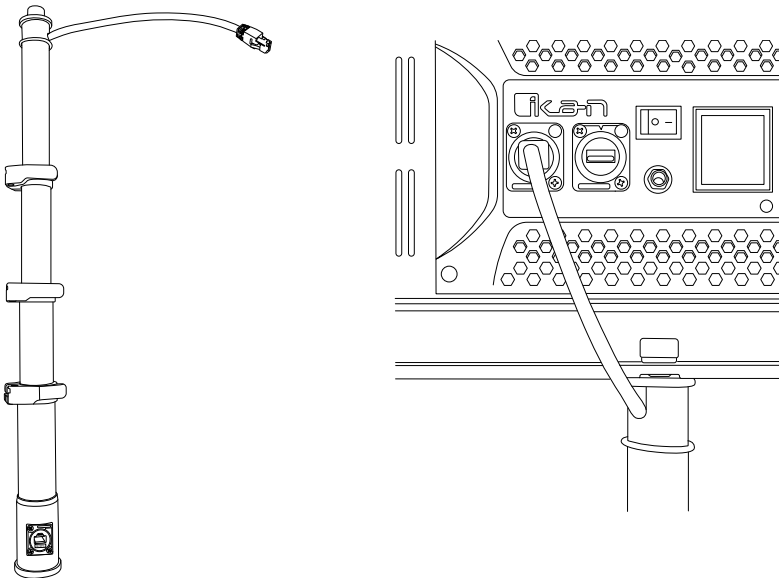
7. Wrap the safety wire around the pipe of your lighting grid and secure it by placing the loop into the hook.



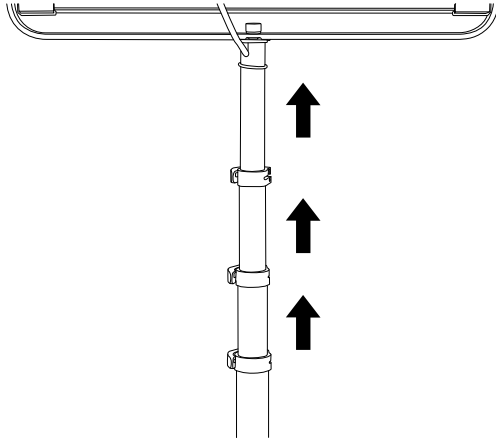
8. Insert your Ethernet cable into the RJ45 port of the light pole.



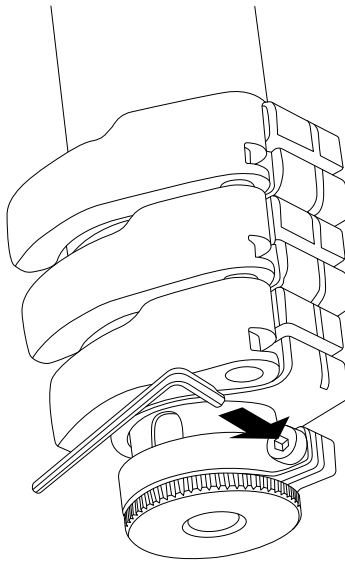
9. Plug in the light pole's loose RJ45 connector into the Ikan light's PoE input.



10. By pulling the locks on the light pole, extend the light pole's three sections to your liking.

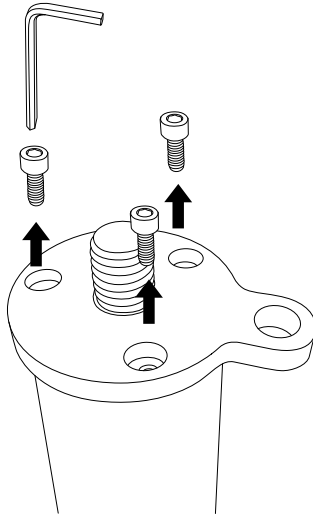


11. Tighten the locking collar clamp on the bottom of the light pole to further secure the light.

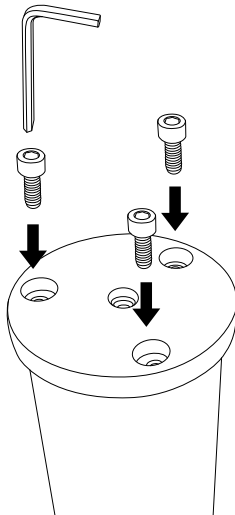


## 4. Setup Guide - For Studio Rover Use

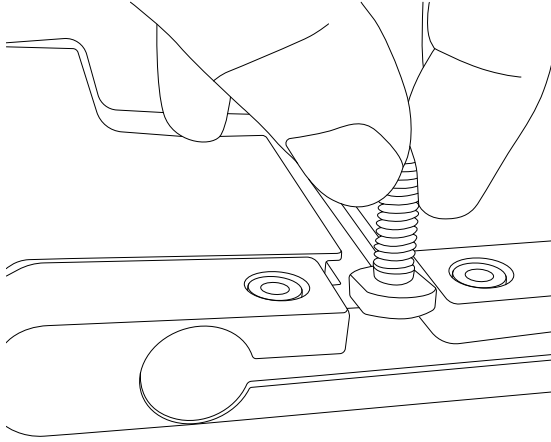
1. Use an Allen wrench to remove the three screws on the bottom plate.



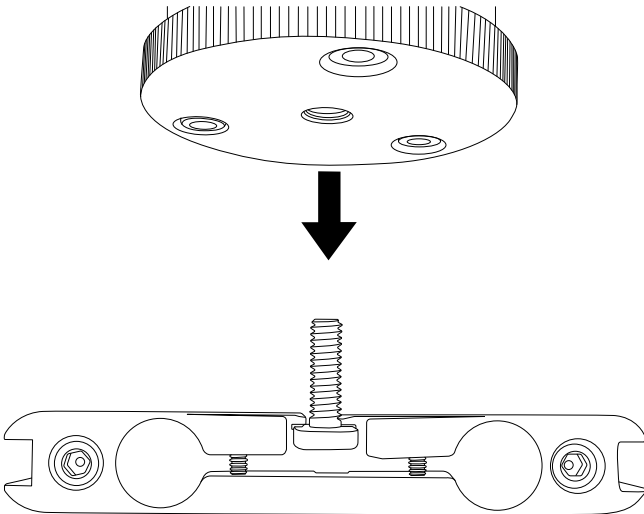
2. Replace the plate with the other included plate (Female 1/4"-20 version) and use the same three screws to attach it.



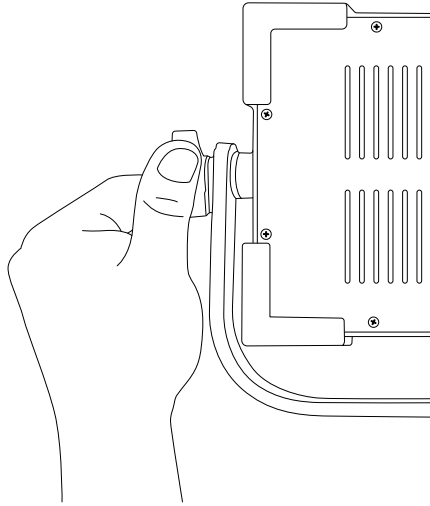
3. Slide the T-head screw into the channel on the backside of the teleprompter's base.



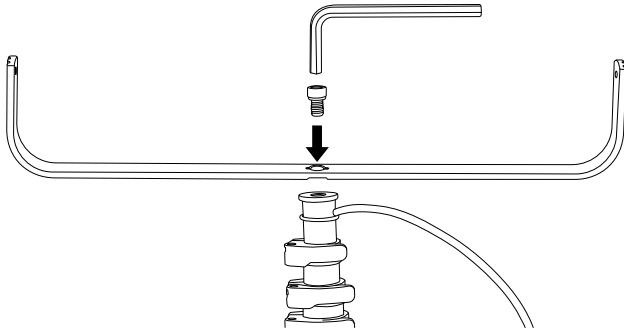
4. Align the 1/4"-20 screw thread with the T-head screw and spin the light pole clockwise until the light pole is tightly secured onto the teleprompter base.



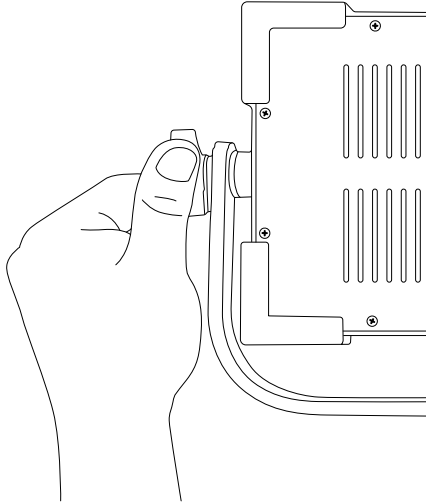
5. Detach the yoke from your Ikan light.



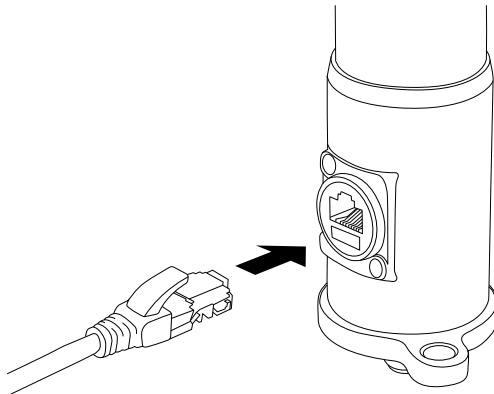
6. Screw the yoke into the top of your light pole using the M12 (1.75) screw. Fasten tightly.



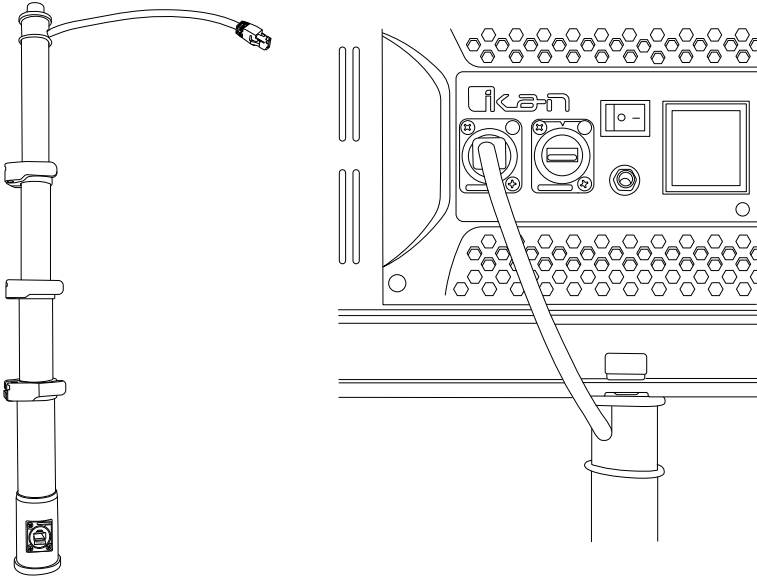
7. Reattach your Ikan light to the yoke (now connected to the light pole).



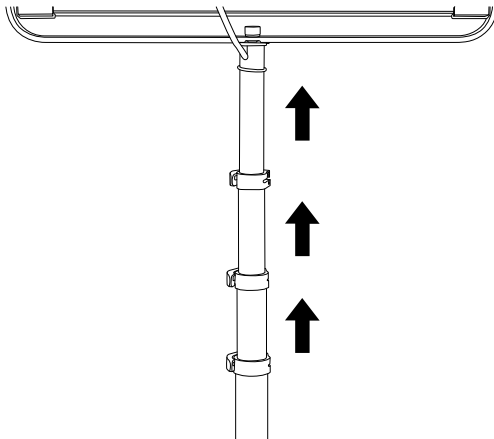
8. Insert your Ethernet cable into the RJ45 port of the light pole.



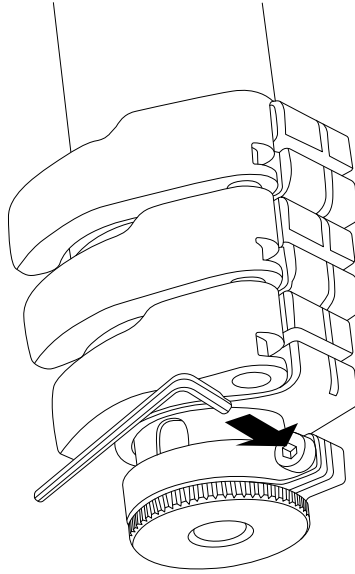
9. Plug in the light pole's loose RJ45 connector into the Ikan light's PoE input.



10. By pulling the locks on the light pole, extend the light pole's three sections to your liking.



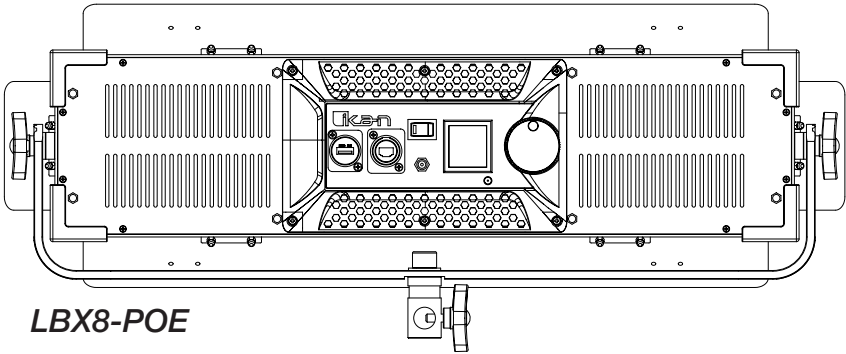
11. Tighten the locking collar clamp on the bottom of the light pole to further secure the light.



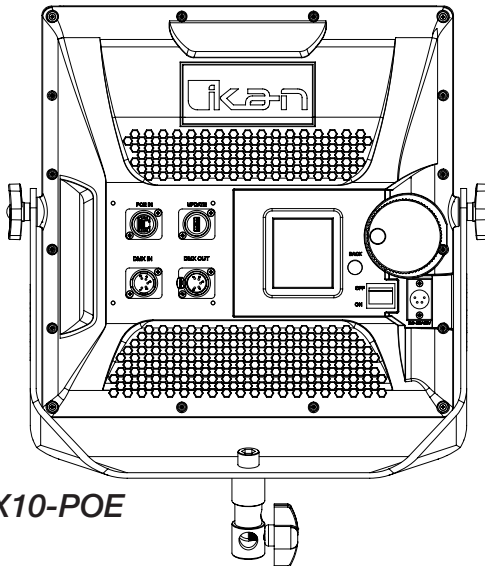
# LBX8-POE & LBX10-POE



## Ikan Lyra POE Light Series



**LBX8-POE**



**LBX10-POE**

# 1. Introduction

## 1.1 Overview

The Ikan LYRA POE are lighting solutions designed to be effortlessly installed in studios with limited ceiling clearance. PoE++ lights are easy to install as they can be quickly and easily connected using an Ethernet cable. Equipped with high CRI LED chips and a soft panel, it emits a gentle, wraparound light that offers a clean and sharp shadow. With a color temperature range of 3200K to 5600K, it is highly versatile and ideal for any lighting production. The 100-degree beam angle offers ample coverage and the sturdy yoke, with its tension knobs, allows for easy adjustments and secure placement at any angle.

## 1.2 Key Features

- PoE++ (802.3bt Type 4) Compatibility
- LBX8-POE: 50W Power Output / Consumption
- LBX10-POE: 85W Power Output / Consumption
- Color Temperature Adjustable
- Intensity Control
- Art-Net & sACN DMX over IP

## 1.3 Package Contents

- LBX8-POE or LBX10-POE LED Light Fixture
- Yoke (Installed)
- Barn Doors (Installed Non-removable)
- Combo Pin
- Safety Wire
- User Manual

# 2. Safety Information

## 2.1 General Safety Guidelines

- Read and follow all instructions in this manual.
- Keep the light away from moisture and extreme temperatures.
- Do not attempt to disassemble the light; there are no user-serviceable parts inside.
- Keep the light away from flammable materials during operation.

## 2.2 Electrical Safety

- **NOTE:** Check minimal cable specs in section 2.5.
  - Ensure that the power source complies with local electrical standards.
  - If the cable is damaged, replace it immediately.
-

## 2.3 Maintenance and Cleaning

- Disconnect the light from the power source before cleaning.
- Use a soft, dry cloth for cleaning; do not use solvents or abrasive materials.

## 2.4 Environmental Considerations

- Dispose of the light and packaging in accordance with local regulations.
- Do not expose the light to rain or wet conditions.

## 2.5 Compatible Cables

- Use only Category 6 (Cat 6) or higher Ethernet cables.
- Choose cables with a minimum American Wire Gauge (AWG) of 24.
- Shielded cables are recommended to minimize electromagnetic interference.

# 3. Specifications

## 3.1 LBX8-POE Specifications

Power Output	50W
Color Temp Range	3200K to 5600K
Color Rendering Index (CRI)	>97

## 3.2 LBX10-POE Specifications

Power Output	85W
Color Temp Range	3200K to 5600K
Color Rendering Index (CRI)	>97

# 4. Getting Started

## 4.1 Unpacking

- Carefully unpack the light and its accessories. Ensure that all items listed in the Package Contents are present.

## 4.2 Mounting Options

- Use included combo pin to attach the light to a light stand or other mounting surfaces.
-

## 4.3 Powering On and Off

- Connect the Cat6 (24AWG or better) cable to the light and a compatible PoE++ power source.
- Flip the switch to the on position.
- The light will take up to 5 seconds to boot up. The readout screen flashing white is a normal indication that the light is turning on.

## 4.4 Basic Controls

- The yellow circular knob serves as both the enter button and a scroll wheel to adjust values. After adjusting to the values you want, confirm by pressing the back button and returning to previous options.

# 5. POE Information

## 5.1 Understanding Power over Ethernet (PoE)

- PoE allows for the simultaneous transmission of power and data over a single Ethernet cable, simplifying installation and reducing cable clutter.

## 5.2 802.3bt Type 4 Compatibility

- Ensure that the PoE source complies with the 802.3bt Type 4 standard to provide the necessary power for the LBX8-POE or LBX10-POE.

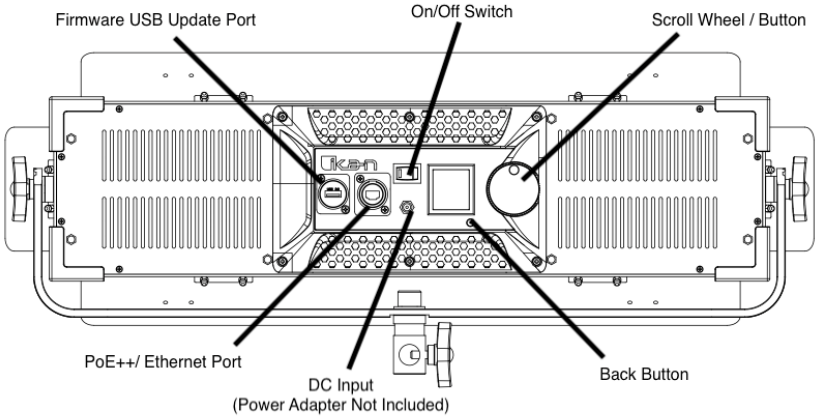
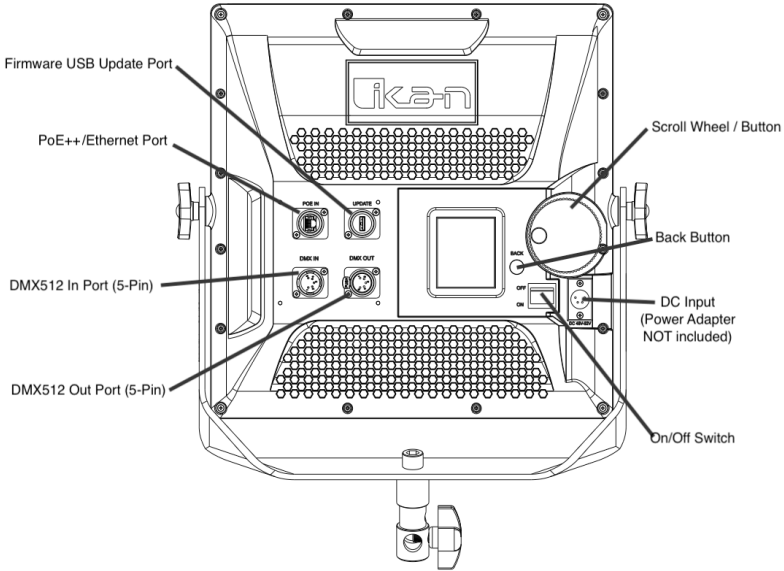
## 5.3 Connecting to PoE Source

- Connect a Cat6 or higher Ethernet cable to the light and a compatible PoE++ power source. Verify the connection is secure.

## 5.4 Troubleshooting PoE Issues

- If power issues arise, check the PoE source and cable for faults. Contact customer support if problems persist.
-

# 6. Operation



**Intensity: 10%**

**CCT: 3200K**

**DMX Address: 01**

**Net State: ART-NET**

**IP: 192. 168. 000. 050**

**IP Mode: Static**

**Universe: 01**

## **6.1 Intensity**

- Adjust the brightness to achieve the desired illumination level. The light can be set from 0-100%, increasing and decreasing by increments of 1%.

## **6.2 CCT (Color Temperature)**

- Adjust the color temperature between 3200K and 5600K.

## **6.3 DMX Address**

- DMX512 channel selection from 1 to 511. Each light requires two channels for use.
  - The first channel is intensity and the second is color temperature. DMX control has priority.
  - When the light receives DMX signal a green dot will appear indicating that DMX signal is received.
  - NOTE: Local control not available when DMX is connected.
-

## 6.4 Net State:

- Turns on the usage of DMX over IP protocols Art-Net or sACN. Once one of these are selected, select the following:

IP: IP address of the light. The light can be set as the following:

192.168.xxx.xxx

172.xxx.xxx.xxx

10.xxx.xxx.xxx

IP Mode: Set either DHCP or Static

Universe: Select the address for Art-Net or sACN

## 6.5 Firmware Updates

- Check the manufacturer's website for firmware updates to ensure optimal performance. Firmware updating instructions will be available with the firmware update files.

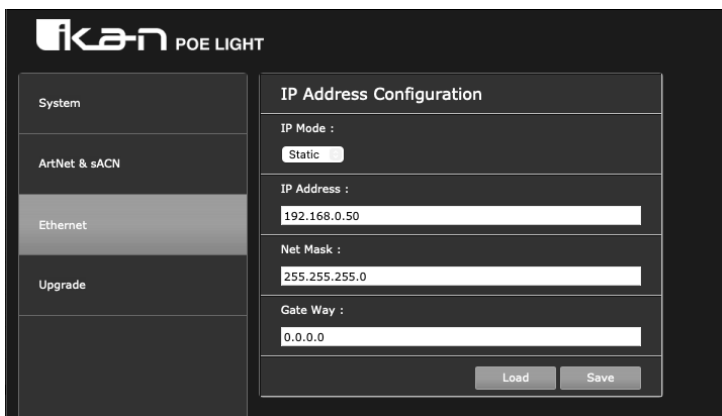
## 6.6 Web Interface

- The light fixture is equipped with a web-based Graphical User Interface (GUI) that facilitates the adjustment of DMX address, Art-Net settings, sACN settings, as well as Ethernet configurations including IP address, Net Mask, and Gateway preferences.
- Access the web interface by entering the IP address on the back of the light. For example, if the light shows 192.168.0.50 enter that into the web browser of a computer on the same network as the light fixture.

The screenshot displays the web interface for an iKan POE LIGHT. On the left is a navigation menu with four items: System, ArtNet & sACN (which is highlighted), Ethernet, and Upgrade. The main content area is titled "ArtNet Configuration & sACN Settings" and contains the following fields:

- DMX Address (1-512):** A text input field containing the number "1".
- Universe of ArtNet (0-32767) :** A text input field containing the number "1".
- Output Source :** A dropdown menu with "Art-Net" selected.
- Universe of sACN (1-65535) :** A text input field containing the number "1".

At the bottom right of the settings area are two buttons: "Load" and "Save".



## 7. Maintenance

### 7.1 Cleaning and Care

- Clean the light with a soft, dry cloth. Avoid using solvents or abrasive materials.

### 7.2 Storage Guidelines

- Store the light in a dry, cool environment. Disconnect from power during extended periods of use.

## 8. Troubleshooting

### 8.1 Power Issues

- Check the PoE source, cable, and connections. Ensure proper compatibility with the 802.3bt Type 4 standard on PoE Switch.

### 8.2 DMX over IP Controls Not Working

- Check that the lights are in the correct universe in the controller and the light fixture.

### 8.2 FAQs

#### *What are the advantages of PoE++ lights over the traditional versions?*

- **Power Grid-Independent Installation:** PoE++ lights do not require new power outlets in the ceiling grid. This will save time and money required to create electrical drawing plans, apply for permits, and hire certified electricians to install the new outlets.
-

- **Simplified Power Management:** A single Ethernet cable will simultaneously power and DMX control the lights. This will simplify your installation and reduce clutter. Not only does this necessitate fewer cables, but when utilized in tandem with drop ceiling mounts, the discreet placement of Cat6 cables above the ceiling panels becomes possible. This contrasts with traditional AC-power cables, which must be installed below drop-ceiling tiles per code regulations. *Requires cables rated Cat6 24AWG Sheilded or better. Ikan's PoE++ lights include both Art-Net and sACN DMX-Over-IP protocols.*
- **Enhanced Flexibility:** PoE++ lights can be easily moved and repositioned without the constraints of traditional power outlets nor the need to manage the traditional DMX daisy chain.

**What kind of PoE switch will I need?**

- The lights require 802.3bt Type 4 switch with minimal 90W per port. Netgear's 90W AV PoE++ Switches have been fully tested and certified to be compatible with all Ikan PoE++ lights. They include the **IKM4250-10G2XF-PoE++** 8 port switch and the **IKM4250-26G4F-PoE++** 24 port switch.

	<b>IKM4250-10G2XF-PoE++</b>	<b>IKM4250-26G4F-PoE++</b>
<b>PoE++ Ports (90W/port)</b>	8	24
<b>PoE++ Power Budget</b>	720W	1440W
<b>Non-PoE RJ45 Ports</b>	2	2
<b>SFP Ports</b>	2	4
<b>Power Consumption</b>	With PoE: 837.7W	Single AC With PoE: 889W Dual AC With PoE: 1734W

**How many lights can I put on each switch?**

- The information below demonstrates the number of PoE++ lightings that can be supported by either the 8 port or 24 port Netgear PoE++ switches.

**IKM4250-10G2XF-PoE++**

- 8 x LBX10-POE (85W x 16 = 680W)
- 8 x LBX8-POE
- 8 x Any combination of LBX8-POE and LBX10-POE

### **IKM4250-26G4F-PoE++**

- 16 x LBX10-POE (85W x 16 = 1360W)
- 24 x LBX8-POE
- If doing a combination of Lyra POE lights, calculate the total wattage of all lights to make sure the switch can support it.
  - For example, if using 10 x LBX10-POE and 10 x LBX8-POE
    - LBX10-POE 85W x 10 = 850W
    - LBX8-POE 50W x 10 = 500W
    - 850W + 500W = 1350W
    - 1350W is lower than the switch's max power budget of 1440W, and only uses 20 PoE++ ports, so this switch can support this configuration.

***If I have both DMX512 5-pin and ArtNet or sACN RJ45 plugged in, which has control priority?***

- DMX512 would have priority.

***If both a power adapter and PoE++ are plugged in, will it damage the light?***

- No, the light will automatically use the power adapter as that has priority over PoE++.  
**Power supply NOT included.**
-

# Learn More at [www.ikancorp.com](http://www.ikancorp.com)

## Support

Contact email: [support@ikancorp.com](mailto:support@ikancorp.com)

### CONDITIONS OF WARRANTY SERVICE

- Free service for 1 year from the day of purchase if the problem is caused by manufacturing errors.
- The components and maintenance service fee will be charged if the warranty period is expired.

**Free service will not be provided in the Following Situations: (\*Even if the product is still within the warranty period.)**

- Damage caused by abuse or misuse, dismantling, or changes to the product not made by the company.
- Damage caused by natural disaster, abnormal voltage, and environmental factors, etc.