



SUPPORT YOUR IMAGE

NINGBO EIMAGE STUDIO EQUIPMENT CO., LTD.

Address: No. 1230 South Cihai Rd., Luotuo Industry zone, Zhenhai, Ningbo, China, 315202

Tel: 86-0574-86590061, 86-0574-86590031

Fax: 0574-86590078

E-mail: sales@eimagevideo.com

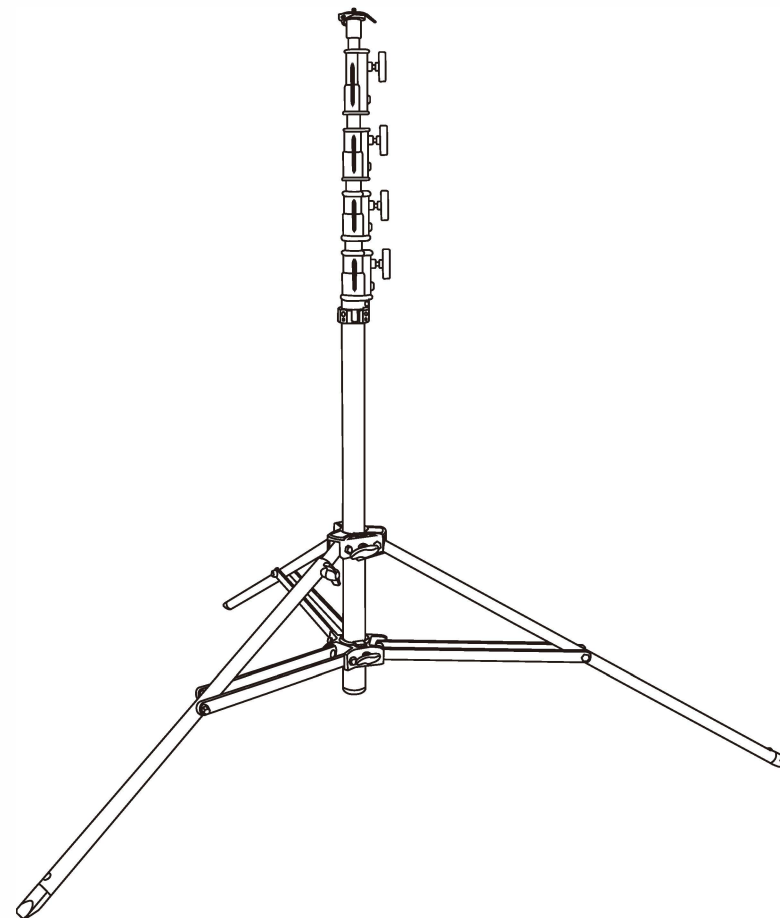
Visit www.eimagevideo.com for more information



E-IMAGE
Official QR Code



21ft PTZ Tripod Stand PTZ-STND-21A/ 21C



www.eimagevideo.com

Contents

Safety Instructions	2
In The Box	3
Technical Data	4
Open The Base	5-6
Height Adjustment	7
Use Levelling Leg	7
Wind Bracing	8
EI-A29 Leveling Base Head	9-10

Safety Instructions

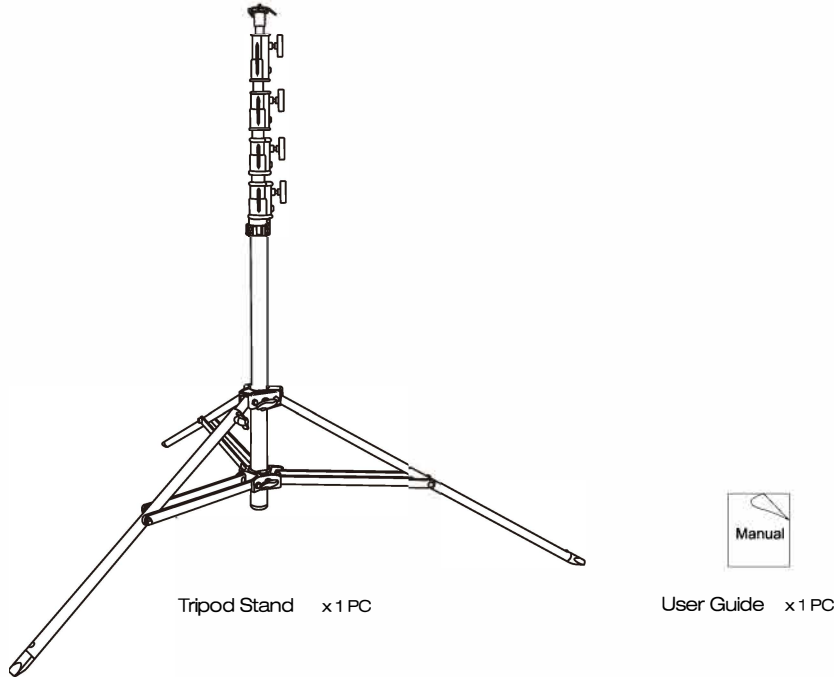
Thanks for purchasing E-IMAGE products.

We encourage you to read this manual carefully to familiarize yourself with all the detailed features before operating it, as some of them may be new to you. The manual includes all safety instructions, operation guidelines, and maintenance procedures. Please ensure that all equipment is operated correctly to avoid any defects or damage, especially ensuring that the tripods are steady.

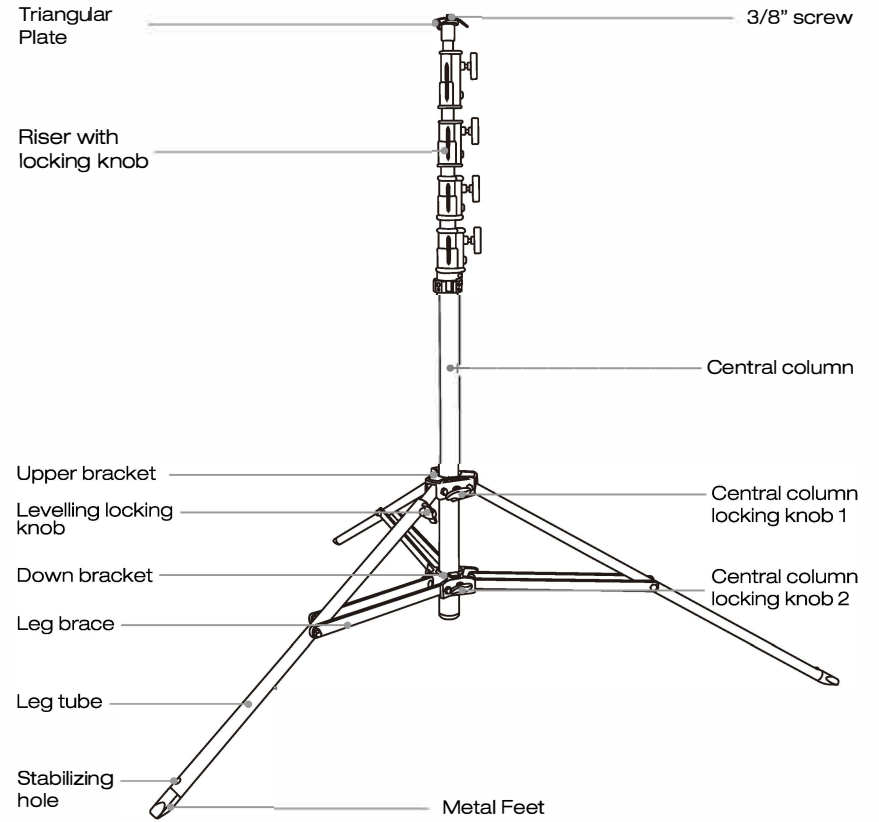
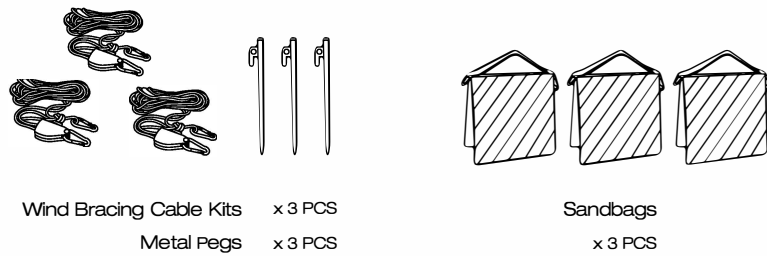
1. Please don't exceed the max. payload of tripod.
2. Before mounting the camera, ensure that the tripod is leveled and securely stabilized on the ground.
3. When adjusting the tripod height, be sure to raise or lower the center column slowly to prevent your hand from getting trapped by the locks.
4. Please make care about your fingers when opening the base to prevent them from getting caught.
5. Please remove the camera from the tripod before transportation.
6. When tripod working outdoors in windy conditions, it's important to install the wind bracing system and add sandbags for stability.

The product packing comes with the following items. In case that any item is found missing, please contact E-IMAGE or your local selling agent.

PTZ-STND-21A 21C



Safety Accessories:

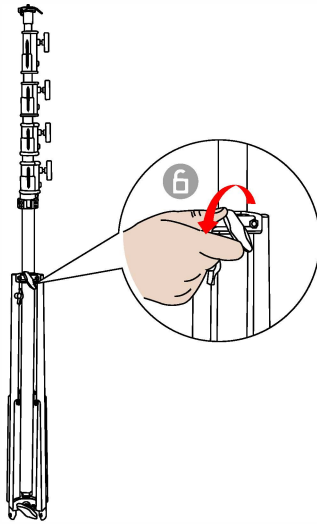


Specifications

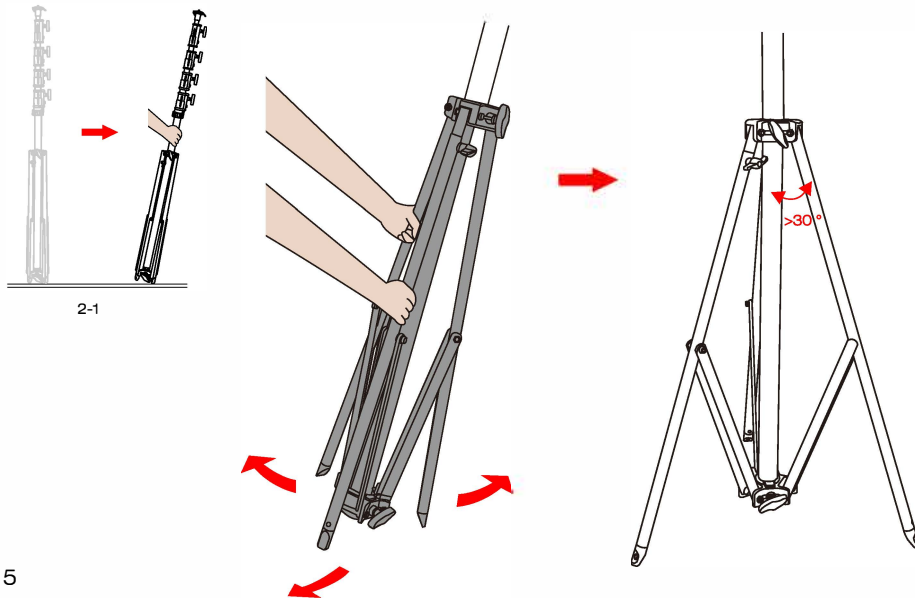
Model	PTZ-STND-21A	PTZ-STND-21C
Max.working height	635cm / 250in	635cm / 250in
Min.working height	179cm / 70.5in	179cm / 70.5in
Transport length	179cm / 70.5in	175.0cm / 70.5in
Center tube size	45,40,35,30,25mm / 1.8,1.6,1.4,1.2,1.0in	45,40,35,30,25mm / 1.8,1.6,1.4,1.2,1.0in
Leg tube size	25.0mm / 1.0in	25.0mm / 1.0in
Payload	<5m 10.0kg / 22.0lbs, >5m 5.0kg / 11.0lbs	<5m 10.0kg / 22lbs, >5m 5.0kg / 11.0lbs
Net weight	8.7kg / 19.2lbs	7.7kg / 17.0lbs
Spigot size	3/8"	3/8"
Footprint diameter	170.0cm/ 66.9in	170.0cm/ 66.9in
Material	Aluminum	Carbon Fiber

Open the base

- 1 Please loosen the central locking knob on the upper bracket.

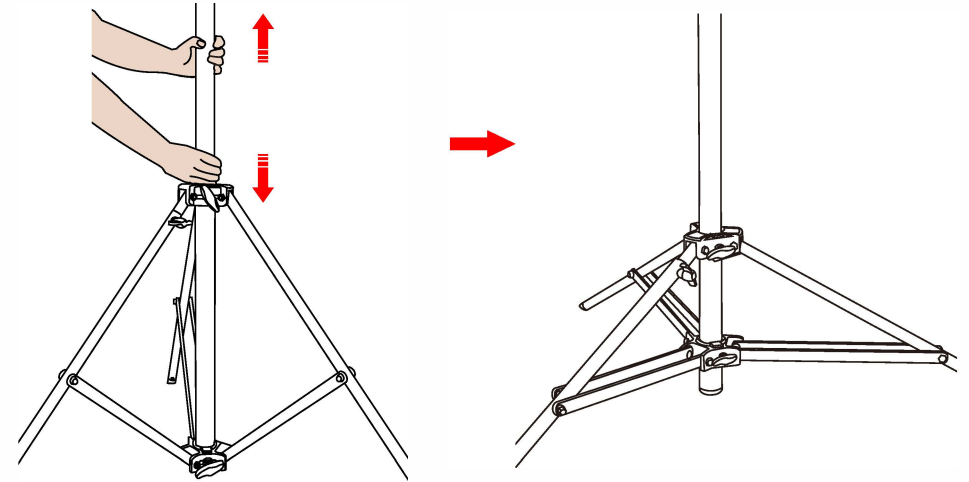


- 2 Keep one leg against the ground, meanwhile hold the other two legs and spreader them (we recommend the open angle more than 30degree).

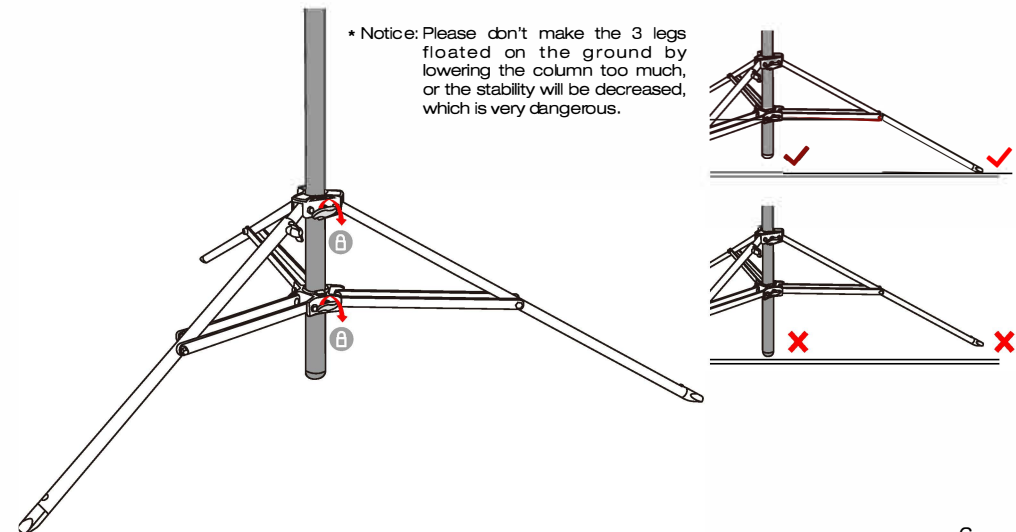


Open the base

- 3 Press down the upper bracket until the leg brace is parallel to the ground, to reach the max.stability. Then turn the locking knob 1 tightly.

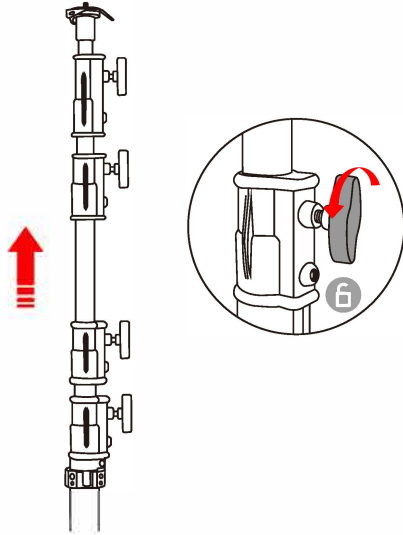


- 4 If you want to get more stability, loosen the knob 1 & knob 2, the central column can be adjusted to a lower position but can't be below the legs, then lock the knobs tightly.



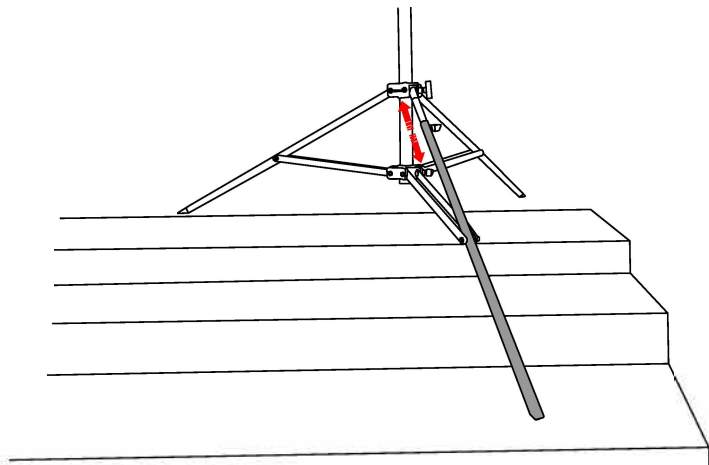
Height adjustment

- ❶ Loosen the locking knob on the riser to unlock the central column.
- ❷ Adjust the central column to the ideal height.
- ❸ Tighten the locking knob on the riser to lock the central column.



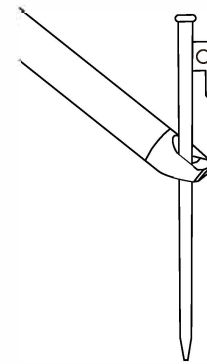
Use levelling leg

- ❶ Loosen the levelling locking knob on the leg.
- ❷ Extend the leg tube until the stand is in the vertical position.
- ❸ Tighten the levelling locking knob, make sure the stand is levelled.

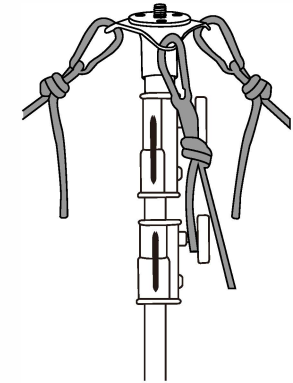


Wind bracing

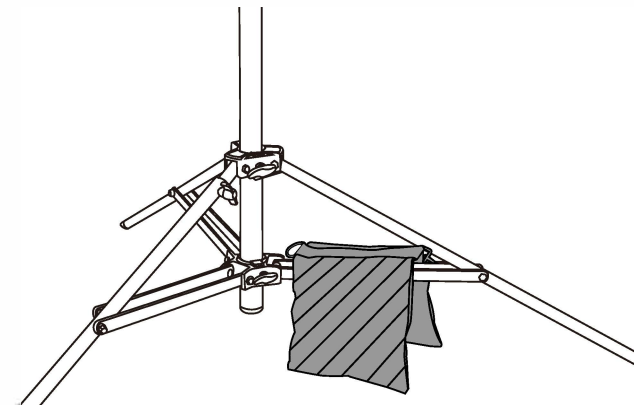
- ❶ Screw the metal peg deeply into the ground through the metal hole on each of the feet. E-IMAGE recommends that the stabilizing pegs are used even in non-windy conditions for extra security.
- ❷ Hook the wind bracing cable kit to the triangular plate.
- ❸ Put the sandbag on leg brace to increase stability.



❶



❷

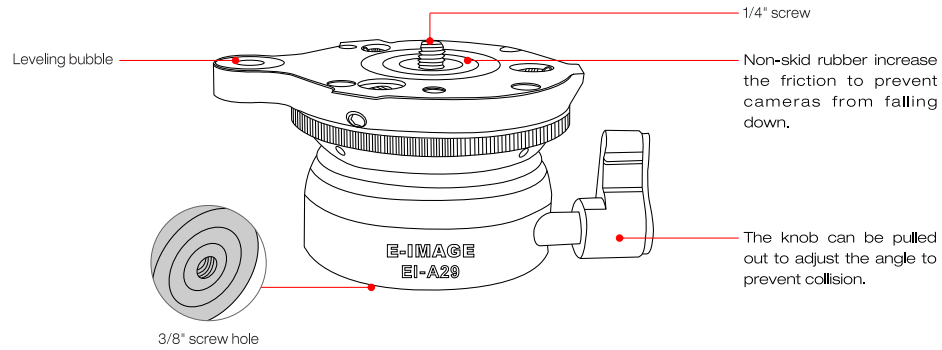


❸



EI-A29 User Manual

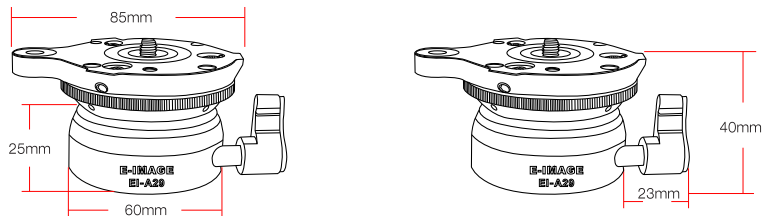
The E-IMAGE EI-A29 Leveling Base Head provides fast leveling for tripods without built-in levels, Bubble level helps ensure that your base is level to the horizon. Designed with 1/4" male top screw and 3/8" female bottom socket, compatible with various tripods and cameras.



Specification

Payload range	10kg / 22.0lb
Net weight	280g / 0.6lb
Adjust angle	±15°
Base screw	1/4" / 3/8"
Bottom hole	3/8"

Size



Contact Information

NINGBO EIMAGE STUDIO EQUIPMENT CO., LTD.

Add: NO.1230 South Cihai Road, Luotuo Industry Zone,
 Zhenhai, Ningbo, China 315202
 Tel: 86-574-55681753/55681675 Fax: 0574-86590078
 E-mail: sales@eimagevideo.com
 Visit www.eimagevideo.com for more information

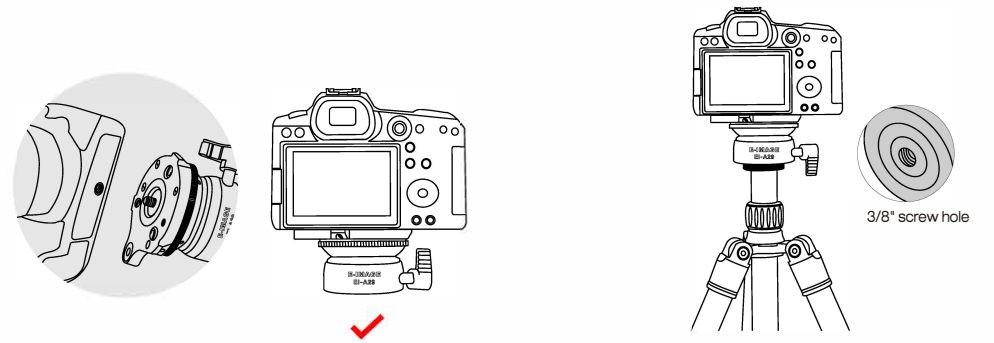


EIMAGE official QR code



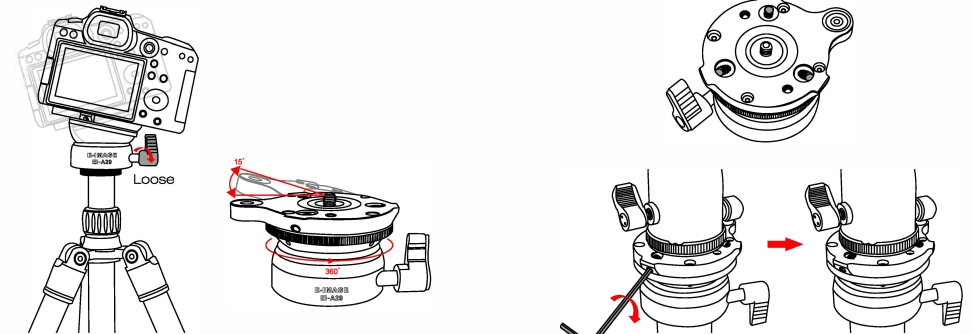
EI-A29 User Manual

Instructions



1 Please screw the camera into the top male screw of A29.

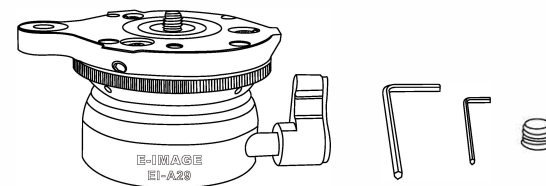
2 Built-in 3/8" female bottom socket, compatible with various tripods.



3 Adjust the head as needed, can swivel in any direction.

*Notes: Three anti-twist screws prohibit unwanted rotation of tripod head, camera or other attached device.

In The Box



- EI-A29 x1
- 2.5mm Hex Wrench x1
- 2.0mm Hex Wrench x1
- 1/4" to 3/8" screw adapter x1