

PT4900S-PTZ-TM-V2



Professional 19" High-Bright PTZ-Compatible SDI Teleprompter w/ Widescreen Talent Monitor

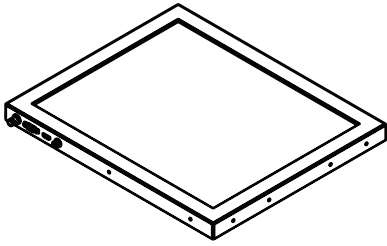


OVERVIEW

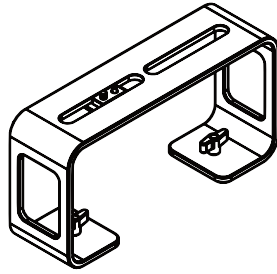
ikan's professional teleprompter series is designed for a quick and easy setup to work efficiently in studio or broadcast applications. The included teleprompter hood fully encloses the PTZ camera allowing it to move freely inside the hood. The teleprompter features a 65/35 reflective glass that makes the reflection easier to see for the presenter. The lightweight aluminum teleprompter has multiple 1/4-20" and 3/8-16" threads for mounting to a tripod or pedestal. The monitor includes SDI, HDMI, and VGA video inputs. Its high bright screen ensures clear visibility in any lighting condition. An intuitive image flip button allows for easy adjustment of the display orientation. The monitor also features a wide viewing angle and a 19" widescreen SDI talent monitor with a built-in tally light.



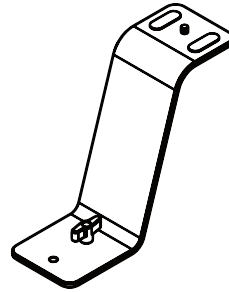
What's Included



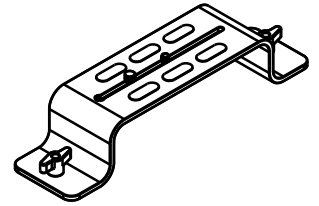
Monitor



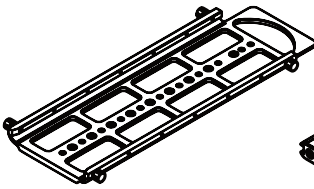
Tall Riser



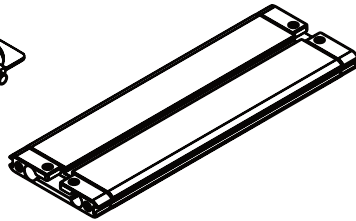
DSLR/Mirrorless Riser



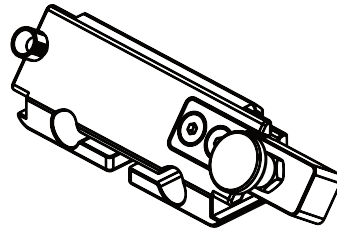
Short Riser



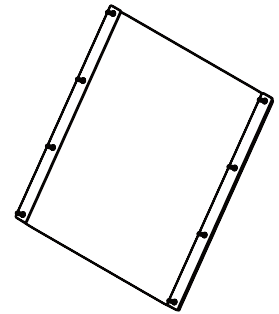
Sled



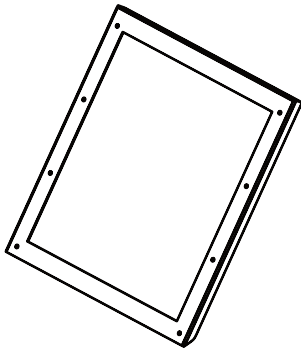
Base



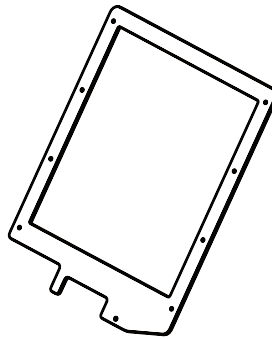
Glass Frame Holder Bracket
w/ Rod Clamps



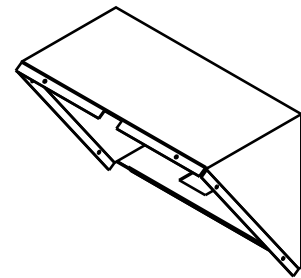
Glass



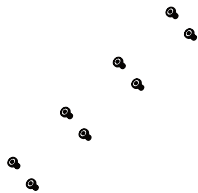
Hood Attachment Frame



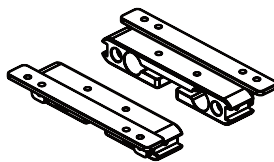
Glass Holder



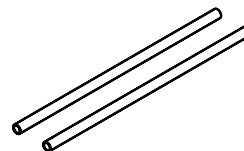
Standard Hood



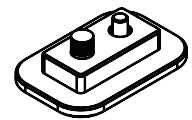
Glass Frame Screws



15mm Rod Clamps

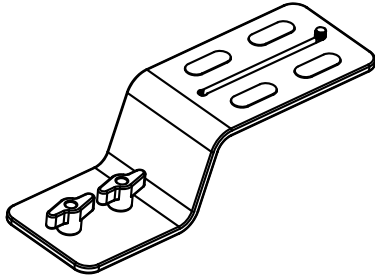


15mm Rods

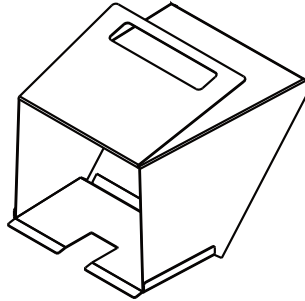


Large Riser
Bracket

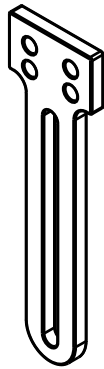
What's Included



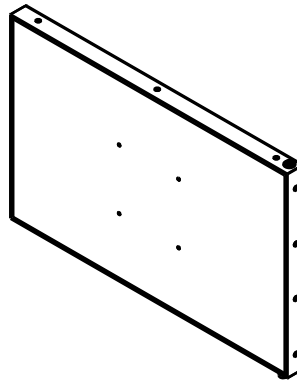
PTZ Camera Riser



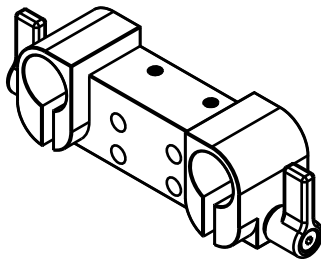
PTZ Hood



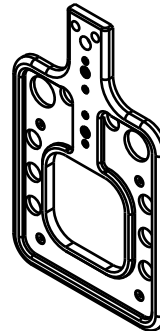
Height Adjustment Plate



Talent Monitor



Rod Adapter



VESA Adapter



Thumb Screws

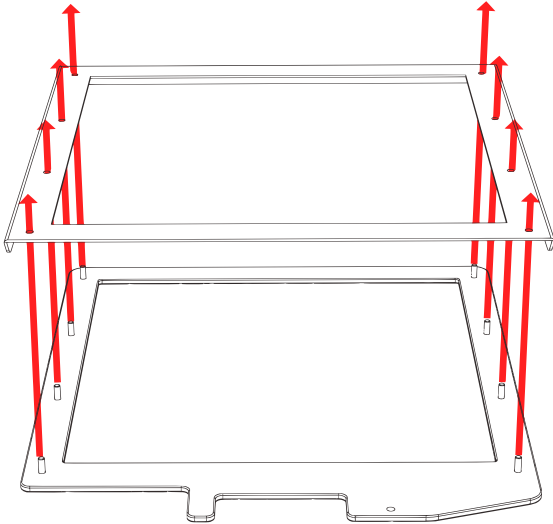


Screws

Teleprompter Assembly Setup

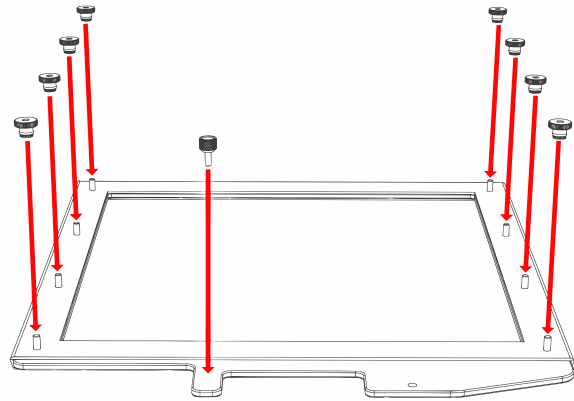
Step 1

Place the Hood Attachment Frame over the Glass Holder. Then place the glass against the Glass Holder. Make sure the screws pass through the holes on the both the Hood Attachment Frame and the Glass Holder.



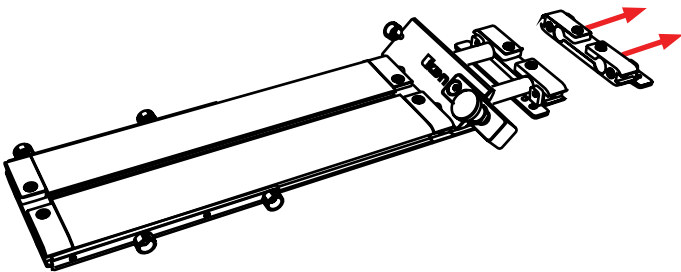
Step 2

Secure the Glass Holder by fastening the knurled nuts to the screws as pictured below.



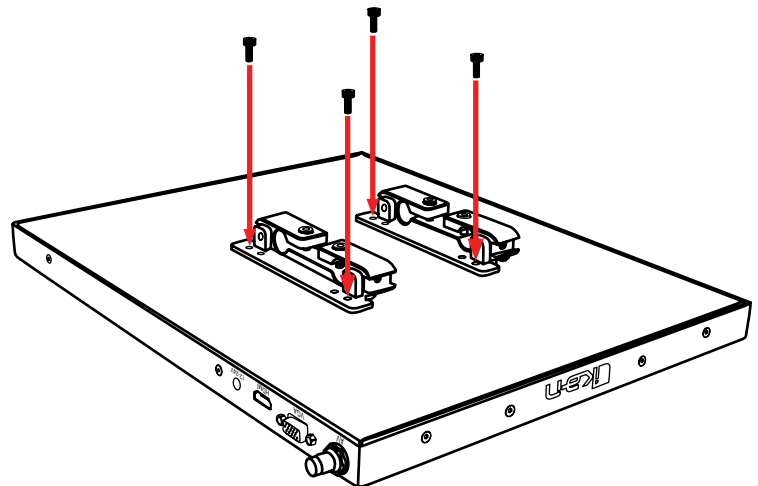
Step 3

Remove the monitor mounts from the teleprompter base using the included larger 4mm hex key to loosen from the 15mm rods.



Step 4

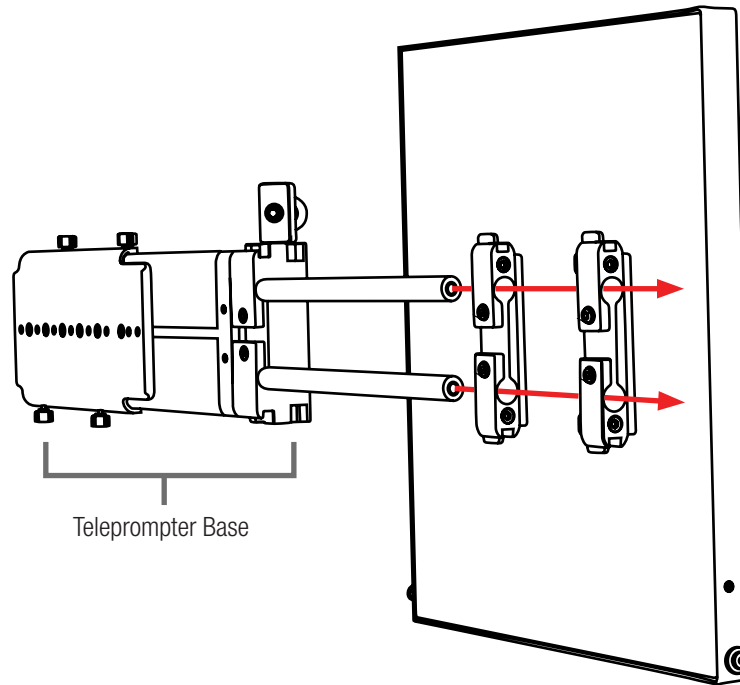
Put the washers on before tightening the screws. The washers and 4 additional screws are inside a bag on the bottom foam.



Step 5

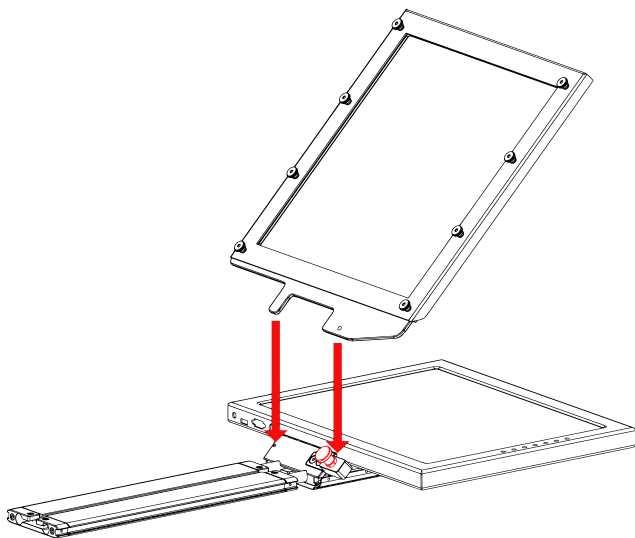
After the monitor mounts are attached, adjust the 15mm rods to accommodate the monitor. Leave about 1 inch of room for the teleprompter bracket. Make sure the 15mm rods go through both set of monitor mounts. Please ensure that all screws are properly tightened after inserting the monitor.

SAFETY NOTE Make sure to leave at least 2 inches of the rods inside the teleprompter base.



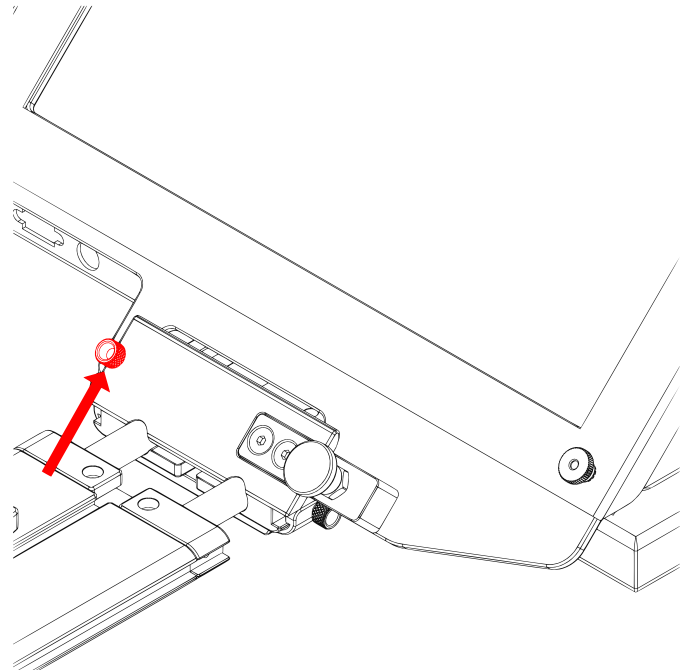
Step 6

While sliding the teleprompter bracket into the slot of the Glass Frame Holder Bracket, pull on the red knob to allow the bracket to fully slide in.



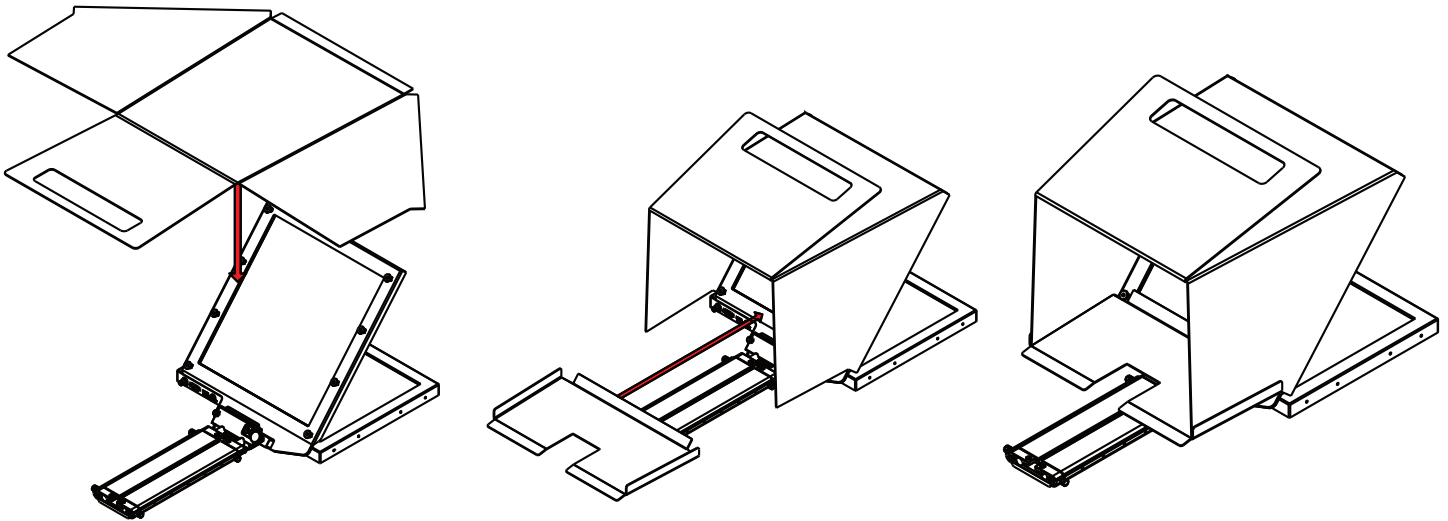
Step 7

Once the bracket is in place, tighten the side screw to lock in place. Double check and make sure all the screws are tightened with the included hex keys.



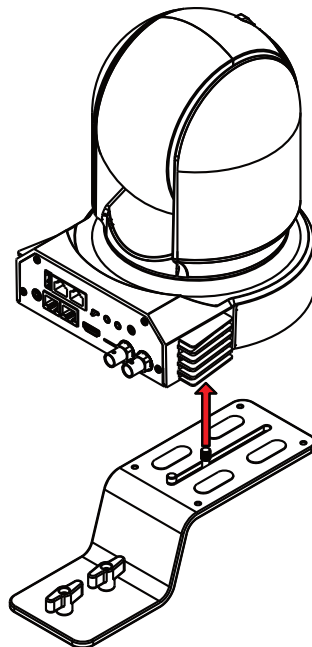
Step 8

Fold the flaps of the Hood alongside the edges of the Hood Attachment Frame. The flaps of the Hood are magnetic so they will automatically attach. Connect the bottom part of the hood by attaching the magnetic flap to glass frame holder. Connect the Velcro straps to the sides of the hood.



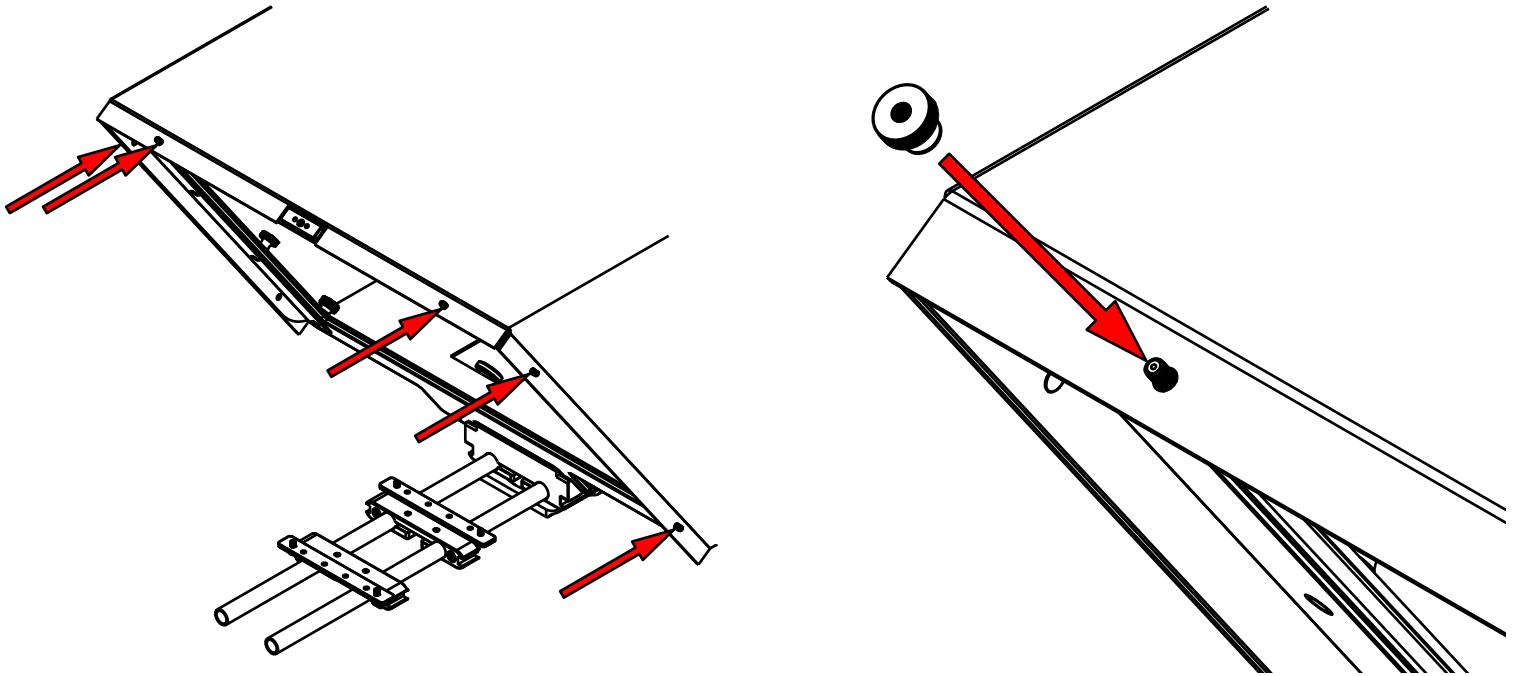
Step 9: Connecting the PTZ Riser to PTZ Cameras

Connect the PTZ Camera Riser to the PTZ camera plate first, by aligning the screw threads of the camera to the 1/4-20 screw from the riser plate. Once the plate has been aligned, fasten the 1/4-20 screw on the PTZ Riser Plate to the thread on the bottom of the PTZ camera.



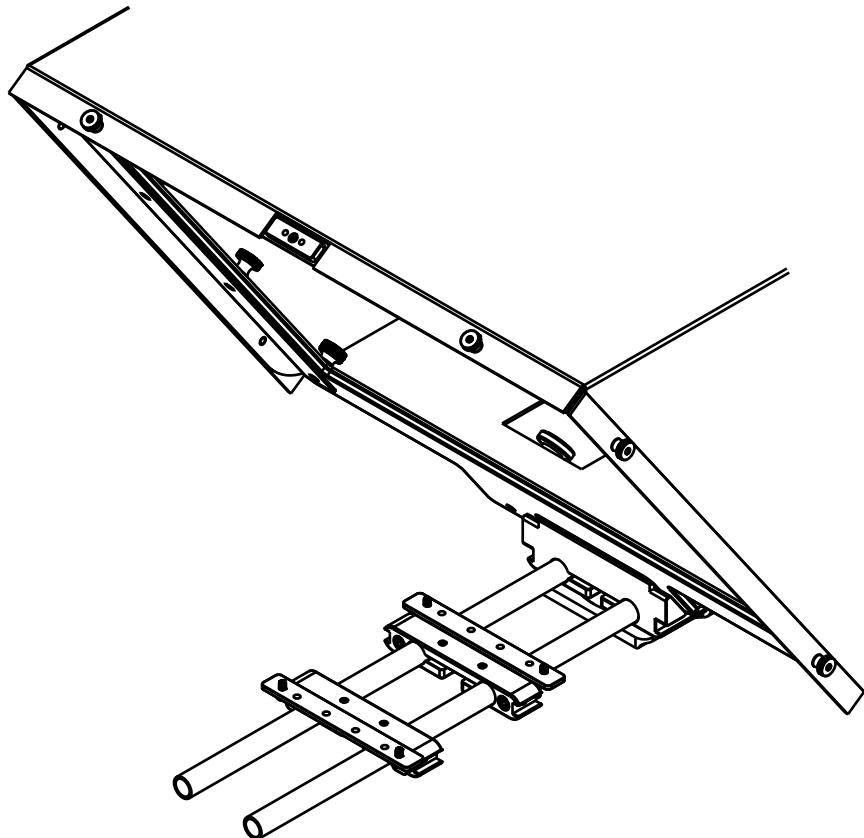
Step 10

Locate the threaded clinch studs on the Hood Attachment Frame and fasten the included nuts to the clinch studs.



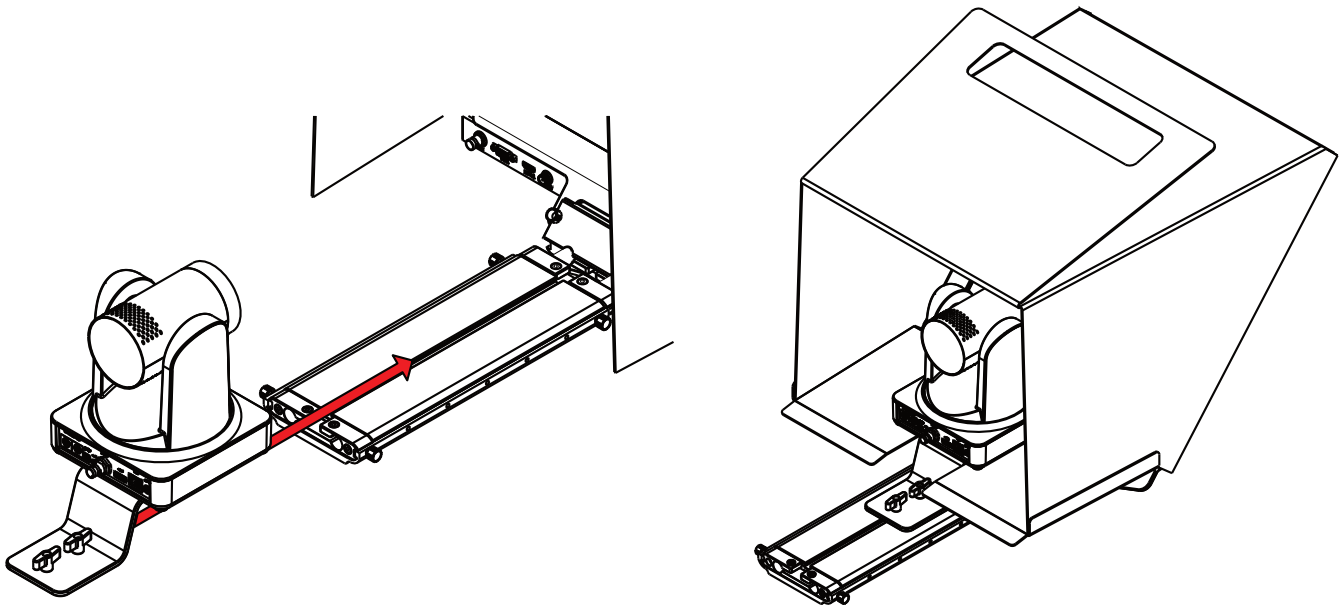
Step 11

Fasten all six of the nuts to the threads on the hood frame to secure the hood to the teleprompter.



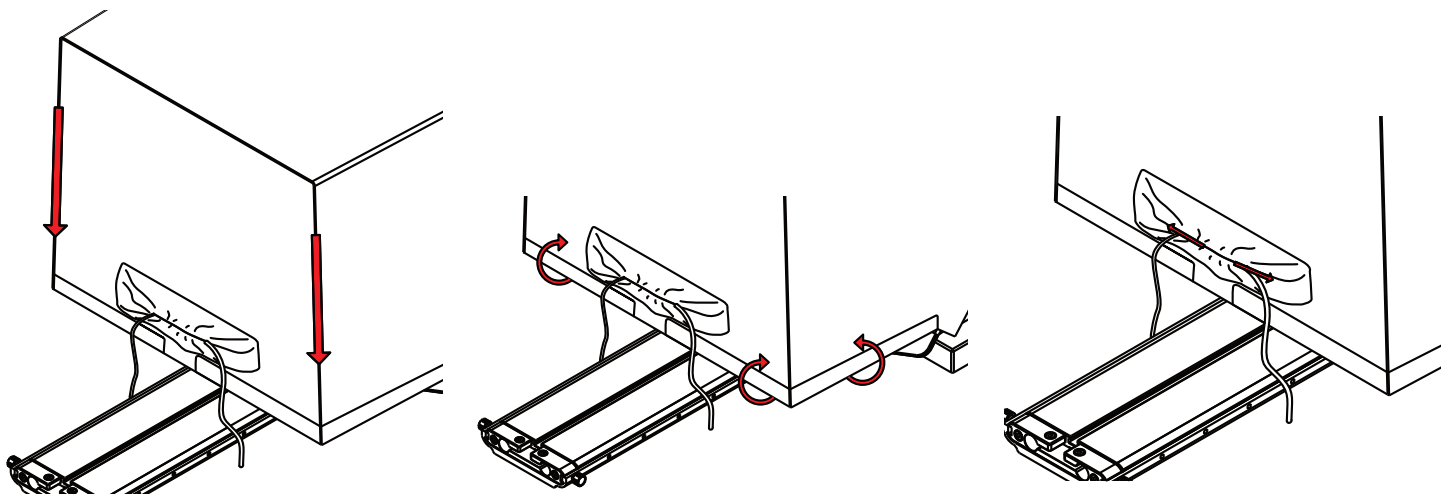
Step 10

Set the PTZ camera inside the hood by aligning the screws on the riser plate to the slot on the Base. Once the screws are aligned, Slide the riser plate into the Base.



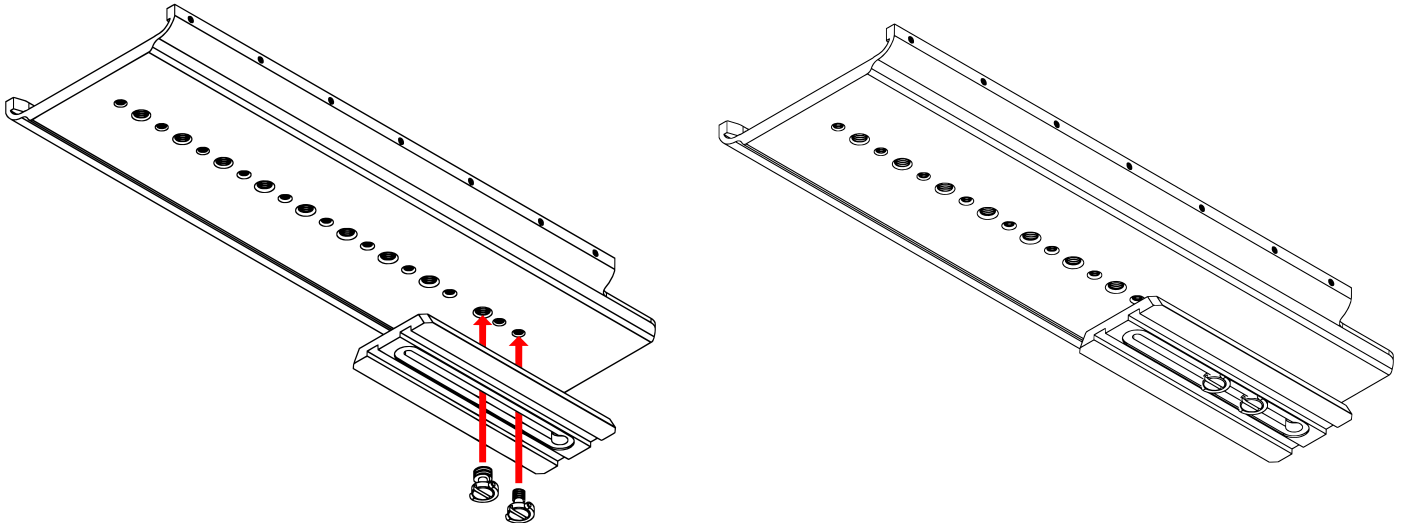
Step 11

To prevent light from leaking through the hood, seal both zippers down, attach the Velcro straps along the back and sides of the hood. Connect the cables to the back of your PTZ camera by putting them through the slot on the back of the PTZ Hood. Once your cables are connected, tighten the draw string on the back of the PTZ Hood.



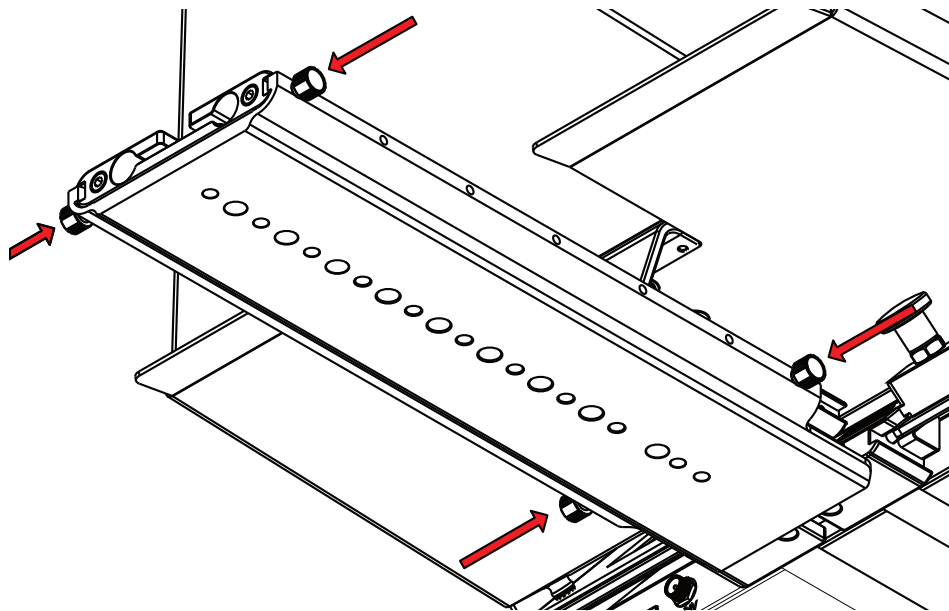
Step 12

Mount your own tripod plate to the bottom plate by aligning the 1/4-20 and/or 3/8-16 screws and fastening them to the Bottom Plate. It is recommended that you connect your tripod plate to front of the Bottom Plate so that you can balance your teleprompter easier. Once your tripod plate is connected to the Bottom Plate, mount the tripod plate to your tripod head.



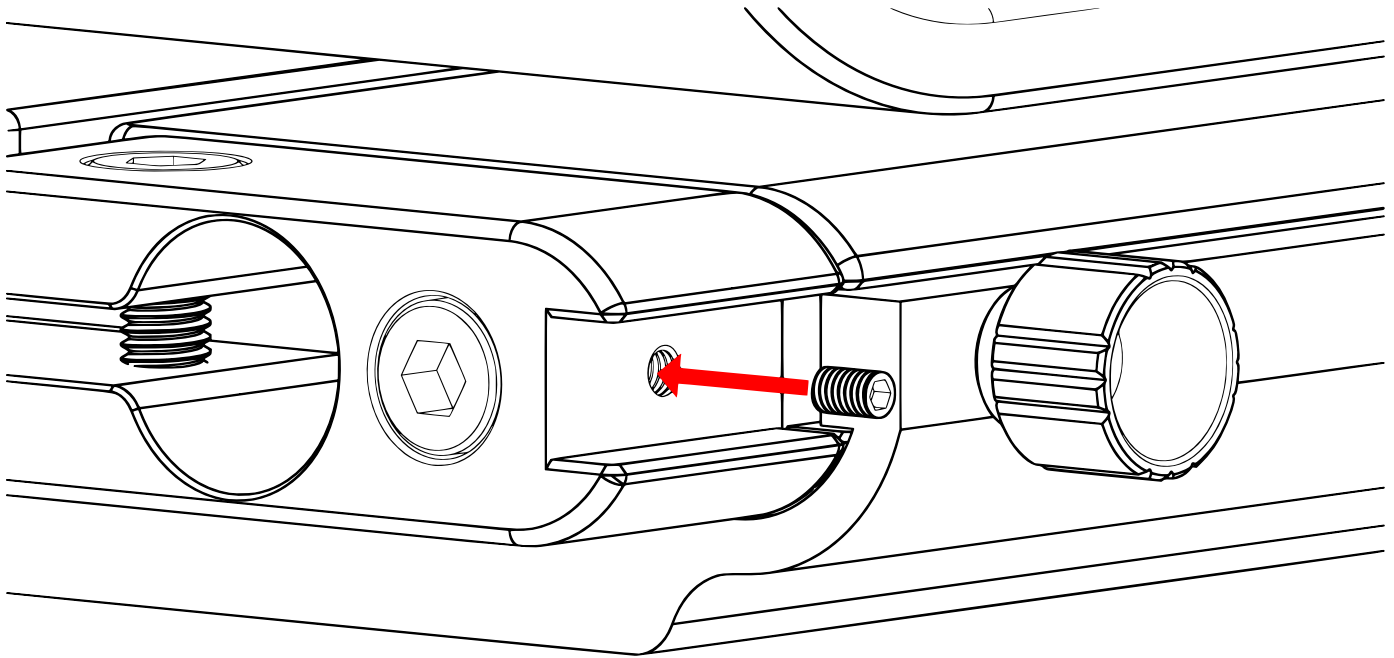
Step 13

In order to properly balance the teleprompter, loosen the 4 screws on the bottom plate and slide the entire teleprompter system back or forward until the center of gravity has been determined. Once the center of gravity has been determined, tighten the thumb screws to keep the base from sliding.



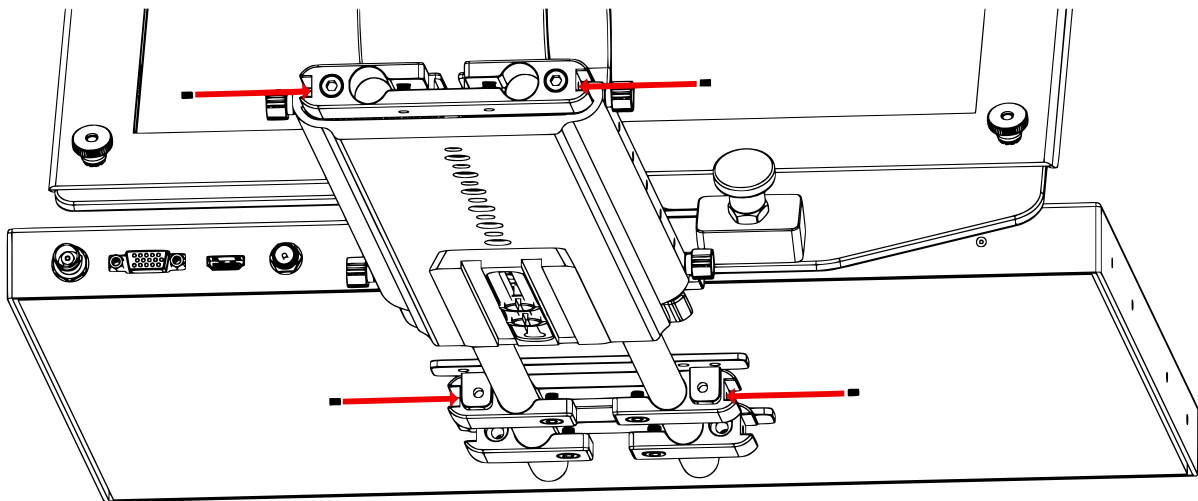
Step 14

To secure your teleprompter system, insert the included headless screws into the threads behind and in front of the Base.



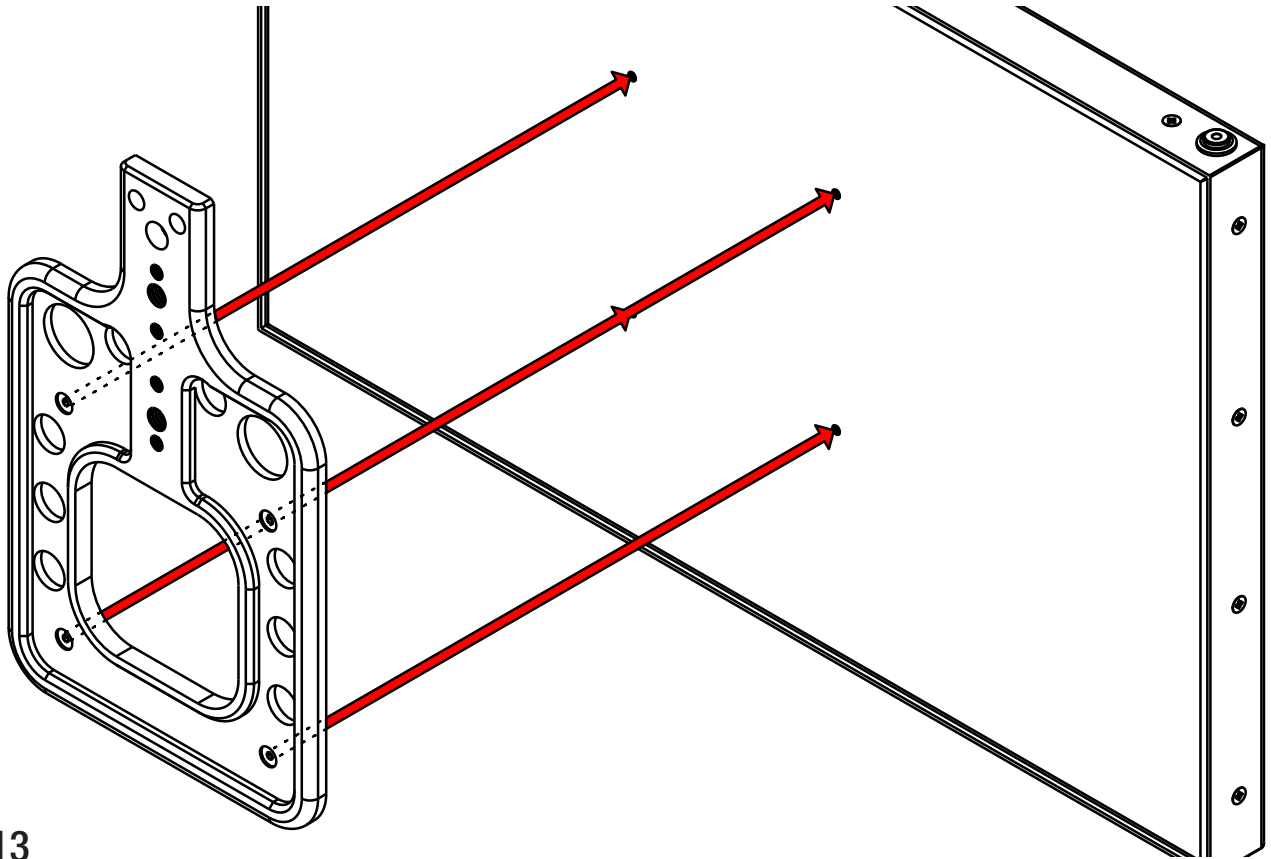
Step 15

The headless screws should be inserted to the threads as pictured below.



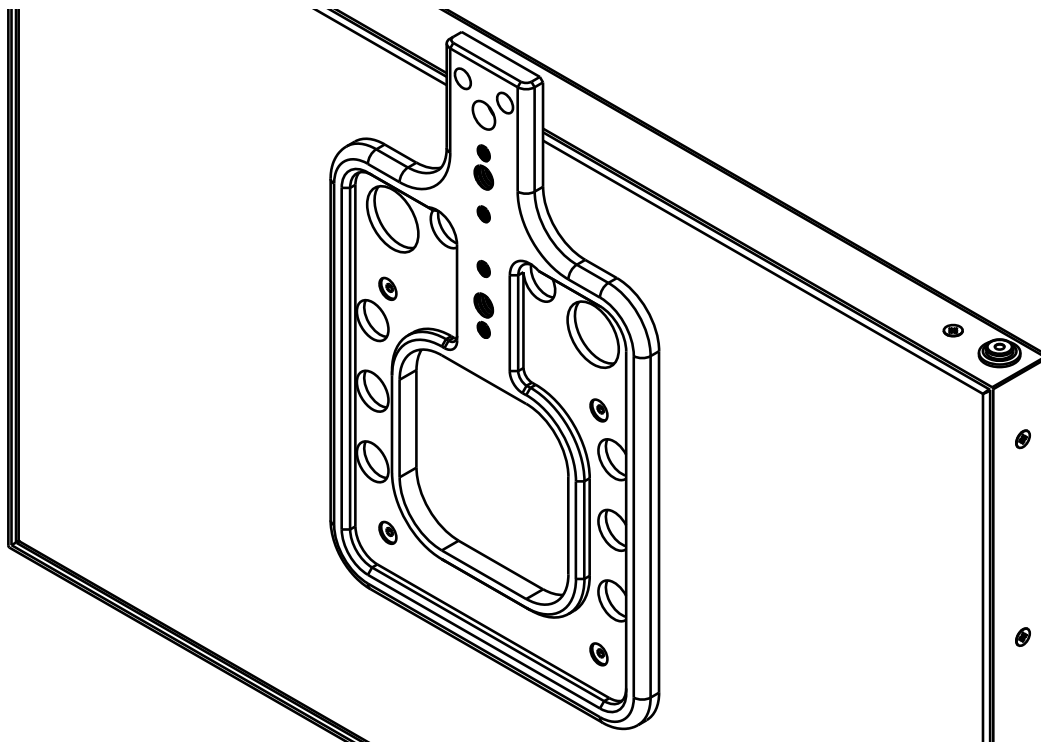
Step 12

Align the holes of the monitor to the VESA Adapter.



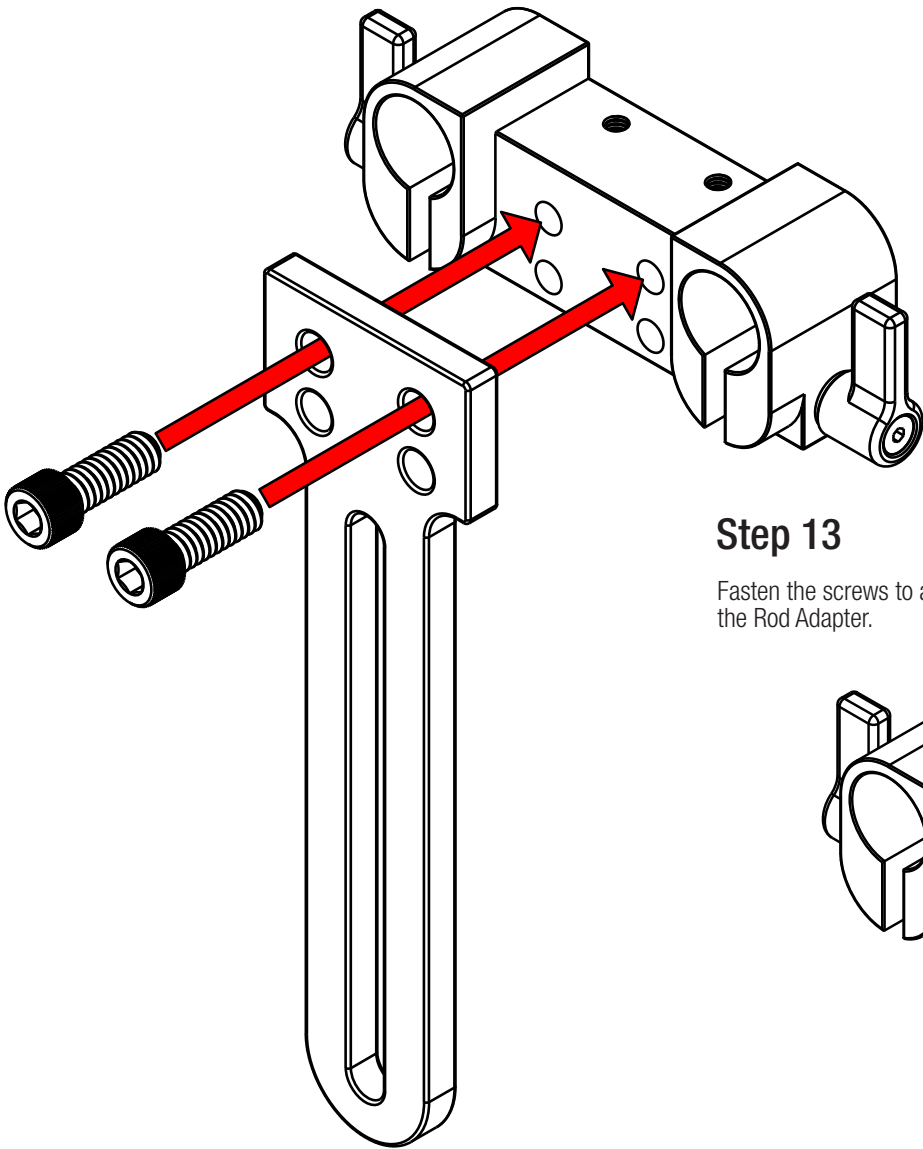
Step 13

Attach the VESA adapter to the monitor by fastening the screws to the monitor.



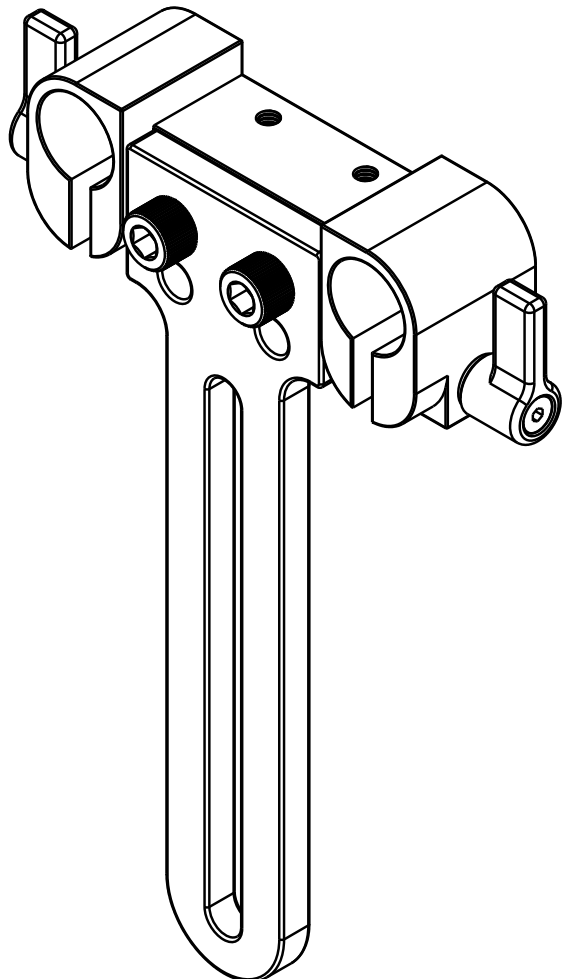
Step 12

Place the Height Adjustment Plate in the Rod Adapter and align the holes.



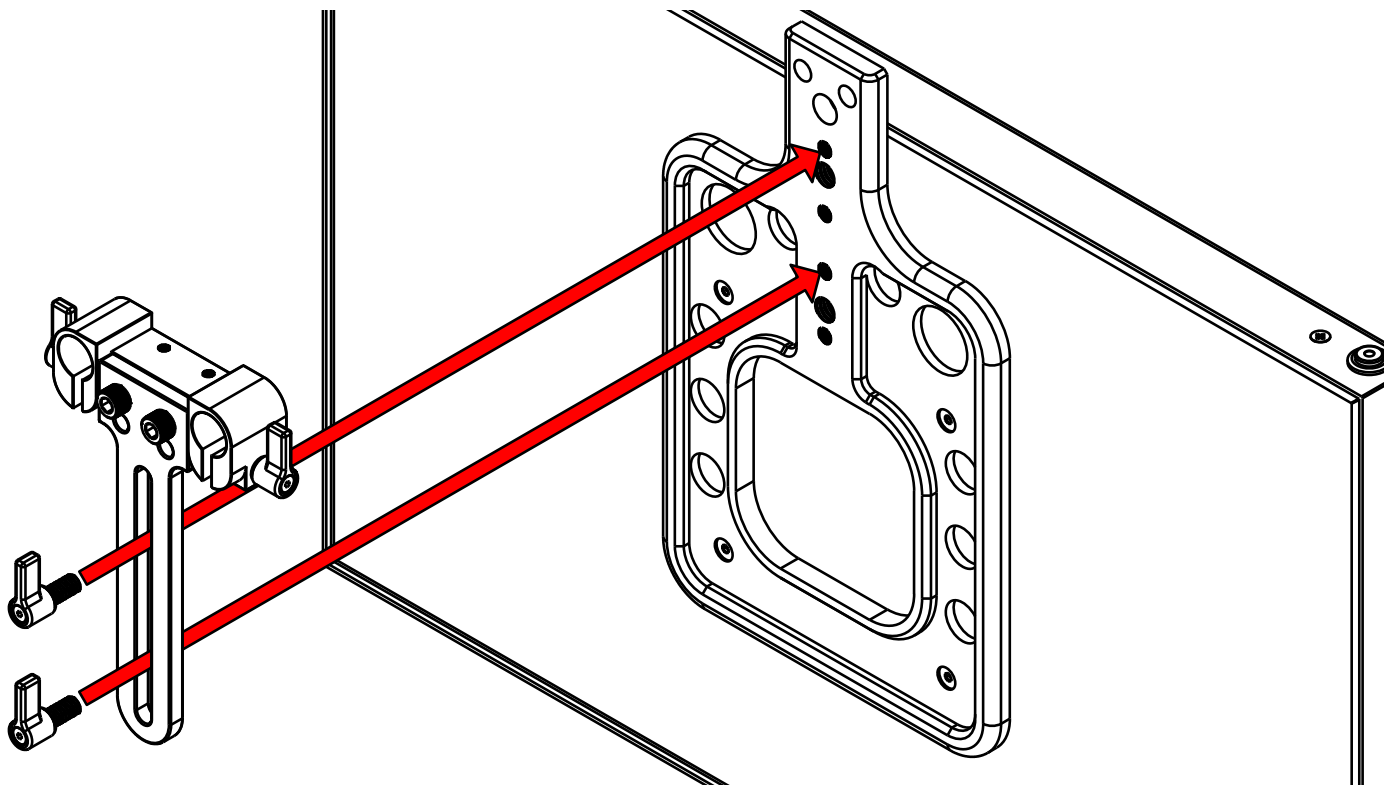
Step 13

Fasten the screws to attach the Height Adjustment Plate and the Rod Adapter.



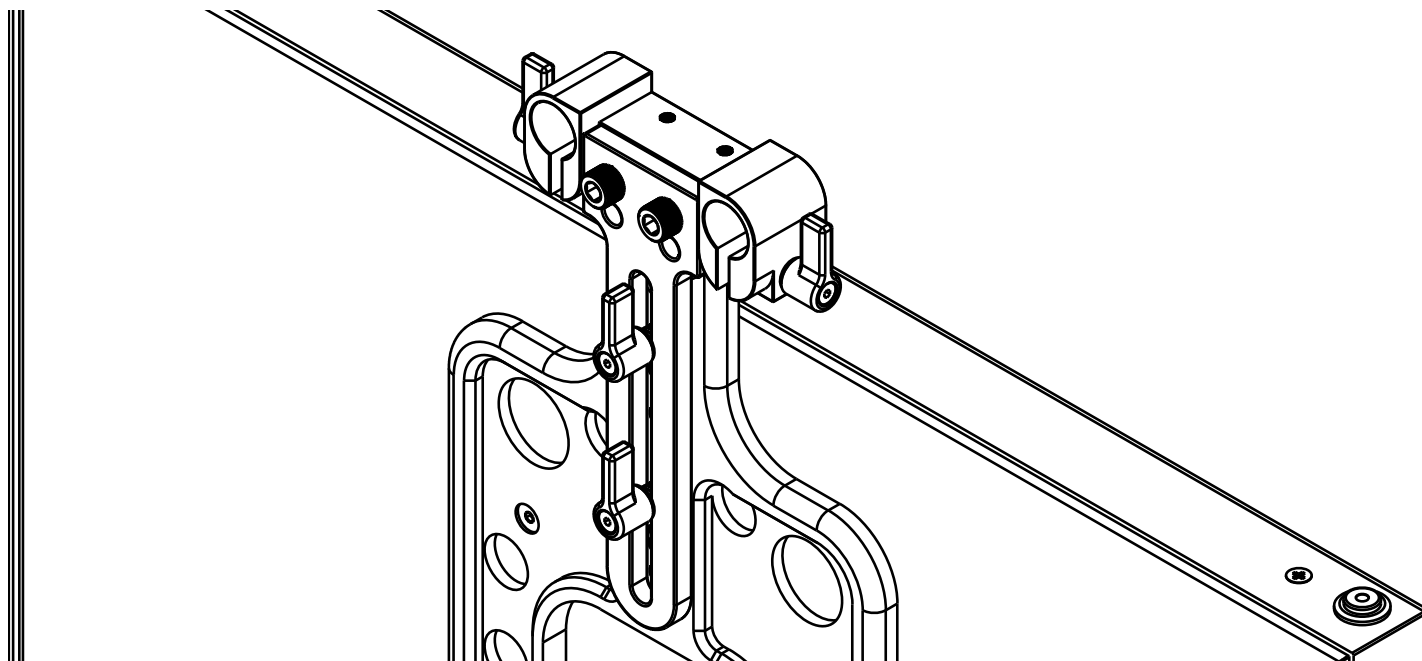
Step 12

Align the threads of the 1/4-20 thumb screw to the threads on the VESA Adapter.



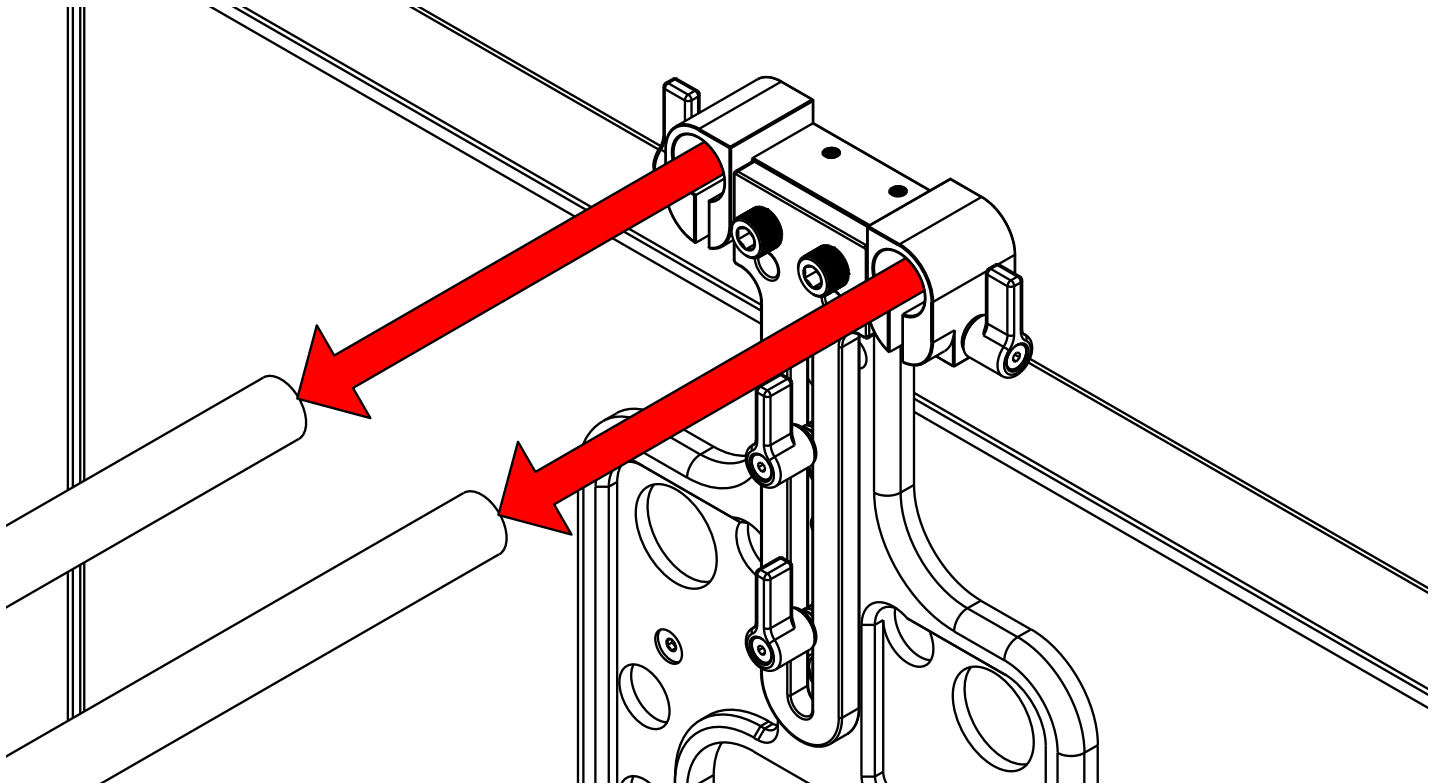
Step 13

Fasten the screws to secure the Talent Monitor to the Rod Adapter.



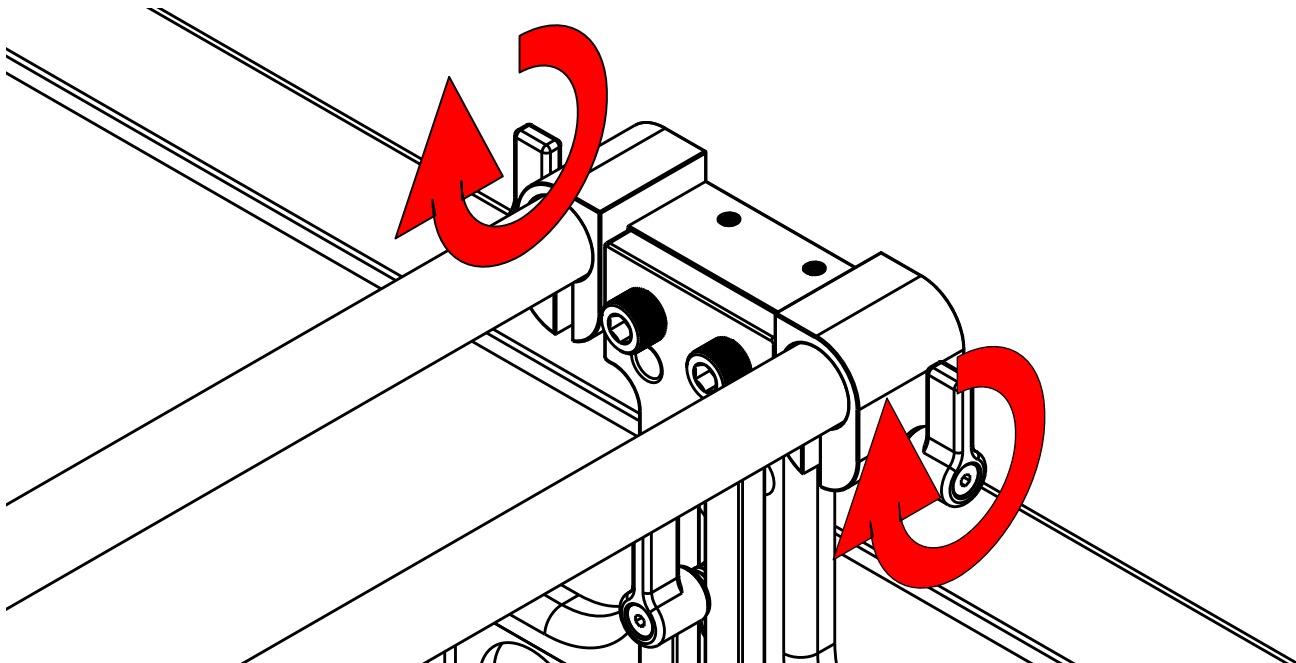
Step 12

Attach the Talent Monitor Mount to the Teleprompter system by inserting the Rod Adapter to the 15mm.

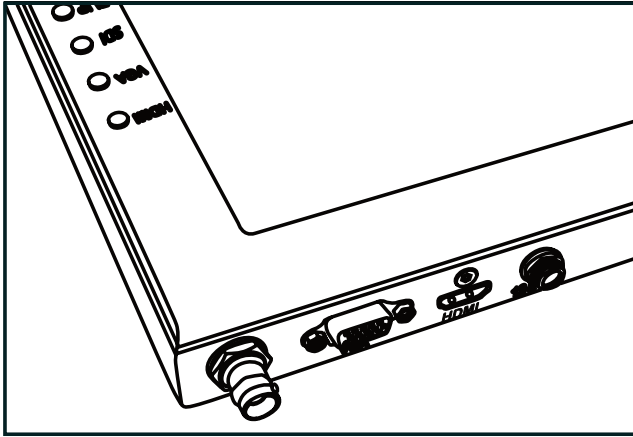


Step 13

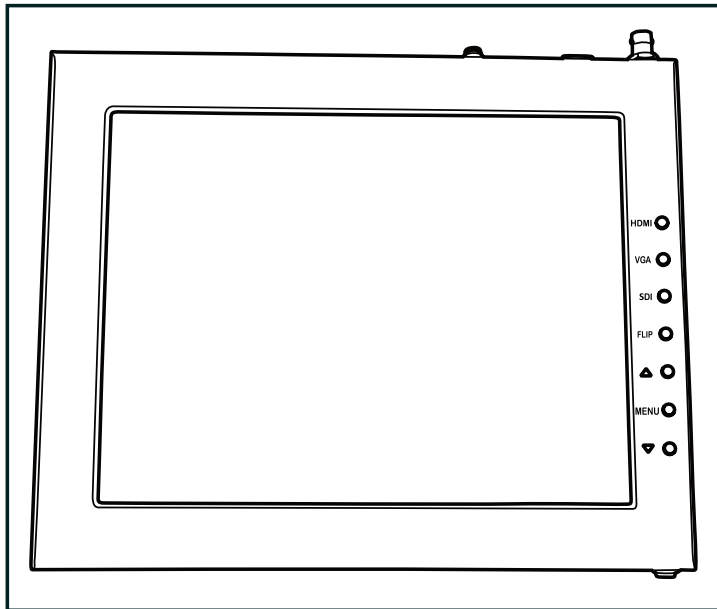
Once the Talent Monitor Mount has been inserted to the 15mm rods, secure the Talent Monitor by fastening the thumb screws.



Monitor Ports



- SDI – BNC Input
- VGA – Video Graphics Array DE15 Connection
- HDMI – High-Definition Multimedia Interface Input Connection
- Power Port – 12-24v Input



- HDMI – Switch HDMI input
- VGA – Switch to VGA input
- SDI – Switch to SDI BNC input
- Flip – Toggle image flip
(Can be set to horizontal, vertical, or both via menu)
- Up Arrow – Toggle up to adjust setting
- Menu – Access to monitor settings
- Down Arrow – Toggle down to adjust setting

Monitor Menu Settings

Video Config

- Contrast (White Level)
- Brightness (Black Level)
- Tint (Chroma Hue)
- Chroma (Chroma Saturation)
- Sharpness (Detail)
- RGB Setup – Manually configure RGB
- Return

System Config

- Menu Duration – Set duration of how long menu stays on screen
- Video Ratio – Set screen aspect ratio 16:9 or 4:3 (4:3 is native resolution, 16:9 will create black bars)
- Flip-H – Assign toggle button to flip image horizontally
- Flip-V – Assign toggle button to flip image vertically
- Reset – Factory reset
- Return

PC Setup (Only available for VGA)

- H-Position – Adjust horizontal position
- V-Position – Adjust vertical position
- Auto – Monitor automatically adjust position
- Return

Exit

How to set-up FLIP button feature:

1. Press MENU button
2. Navigate to SYSTEM CONFIG.
3. Navigate to FLIP-V or FLIP-H
4. Change FLIP-V and/or FLIP-H to "ON"
5. Exit MENU
6. The FLIP button should now be activated and can be pressed to mirror the image Horizontally or Vertically
7. When FLIP-H is ON, the image will flip Horizontally
8. When FLIP-V is ON, the image will flip Vertically
9. If both are ON, the FLIP button will toggle both Horizontal and Vertical flip

Watch our VIDEO TUTORIAL on how to assemble PT4900S-PTZ-V2 Teleprompters:

<https://ikancorp.com/pt4900-PTZ-v2-tutorial-videos/>



PT4900S-PTZ-TM-V2

19 in. Teleprompter

Riser Plate Height	Short: 2.06 in./52.5mm Tall: 5.31 in. /135mm DSLR: 6.29 in./160mm
Length of Rods	15mm x 400mm
Build Material	Chassis: Anodized Aluminum Rods: Carbon Fiber
Reading Range	25 ft. / 7.62 m
Beamsplitter Ratio	65/35
Beamsplitter Shape	Rectangular
Beamsplitter Material	Glass
Tripod Mounts	11 x 1/4 in. -20 Female 9 x 3/8 in. -16 Female
Product Weight w/ Low Plate	29.6 lbs.
Product Weight w/ Medium Plate	30 lbs.
Product Weight w/ High Plate	30.13 lbs.
Product Weight w/ DSLR Plate	29.5 lbs.
Height of Teleprompter	16.1 in./ 411mm

19 in. SDI Teleprompter Monitor

Aspect Ratio	4:3
Maximum Brightness	1000 cd/m2
Screen Size (Diagonal)	19 in.
Mount	VESA 100mm
Video Inputs	SDI, HDMI, VGA
Input Voltage	DC 12v
Power Consumption	30W
Product Weight	6 lbs.
Product Dimensions	17 in. x 15 in. x 1 in.
Native Resolution	1280 x 1024
Viewing Angle	160° (H) / 170° (V)
Build Material	Aluminum Chassis
Image Flip	Horizontal: Yes Vertical: Yes

Optional Accessories

PT4U-G	Replacement Glass for PT4900S-PTZ-V2
M19W-V2	19" Talent Monitor Add On Kit for PT4900S-PTZ-V2
PT-PEDAL	Teleprompter Foot Control Pedal
PT-CONTROLLER	Teleprompter Rotary Controller
PT-CASE-4U	Rolling Hard Case for PT4900S-PTZ-V2 Teleprompter



Specifications Continued

19 in. Widescreen SDI Talent Monitor

Aspect Ratio	16:9
Maximum Brightness	1000 cd/m2
Screen Size (Diagonal)	18.5 in.
Mount	VESA 100mm
Video Inputs	3G-SDI, HDMI, VGA
Input Voltage	DC 12v
Power Consumption	21W
Product Weight	5.73 lbs.
Product Dimensions	17 in. x 15 in. x 1 in.
Native Resolution	1920 x 1080
Viewing Angle	178° (H) / 178° (V)
Build Material	Aluminum Chassis
Image Flip	Horizontal: Yes Vertical: Yes
Tally Interface	RJ45



Pinout Diagram for Tally Light

Tally Light Pinout:

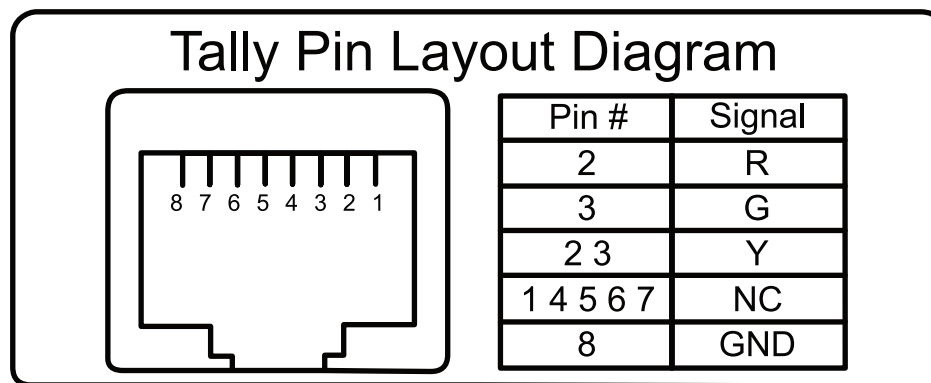
GND: Connects to the ground of the device or system.

R: Connects the red tally light

G: Connects the green tally light

Y: Connects the yellow tally light

NC: Stands for "Not Connected" Disregard these pins.



Learn More

More dynamic information at official website :www.ikancorp.com

Support

Contact email: support@ikancorp.com

Foam Case

To make your teleprompter more portable, we packed it in a reusable, high-quality foam.
The shape and size of the foam was designed to fit into Ikan's PT-CASE-4U.



**** DO NOT THROW AWAY FOAM CASE ****

Learn More

More dynamic information at official website: www.ikancorp.com

Support

Contact email: support@ikancorp.com

CONDITIONS OF WARRANTY SERVICE

- Free service for one year from the day of purchase if the problem is caused by manufacturing errors.
- The components and maintenance service fee will be charged if the warranty period is expired.

Free Service will not be Provided in the Following Situations:(*Even if the product is still within the warranty period.)

- Damage caused by abuse or misuse, dismantling, or changes to the product not made by the company.
- Damage caused by natural disaster, abnormal voltage, and environmental factors, etc.

©2024 Ikan International. All rights reserved.

