

## PT419W-PTZ



Professional 19" High-Bright PTZ Teleprompter w/ Widescreen SDI Tally Monitor

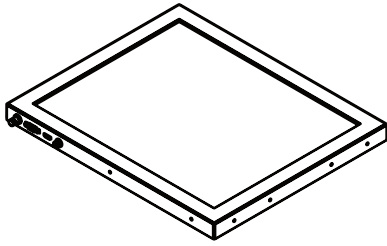


## OVERVIEW

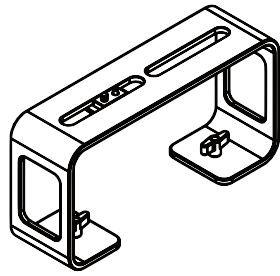
Ikan's professional teleprompter series is designed for a quick and easy setup to work efficiently in studio or broadcast applications. The included teleprompter hood fully encloses the PTZ camera allowing it to move freely inside the hood. The teleprompter features a 65/35 reflective glass that makes the reflection easier to see for the presenter. The lightweight aluminum teleprompter has multiple 1/4-20" and 3/8-16" threads for mounting to a tripod or pedestal. The widescreen monitor includes SDI, HDMI, and VGA video inputs. Its high bright screen ensures clear visibility in any lighting condition. An intuitive image flip button allows for easy adjustment of the display orientation. The widescreen monitor also features a wide viewing angle.



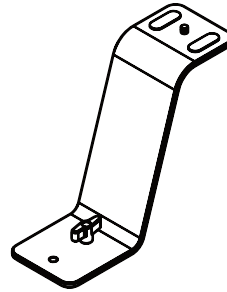
## What's Included



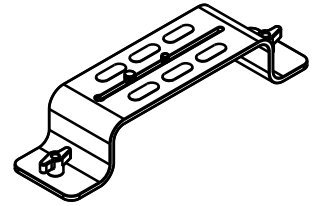
Widescreen Monitor



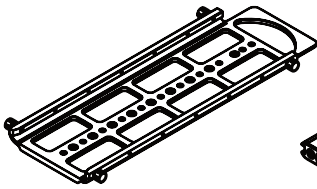
Tall Riser



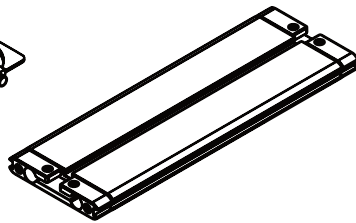
DSLR/Mirrorless Riser



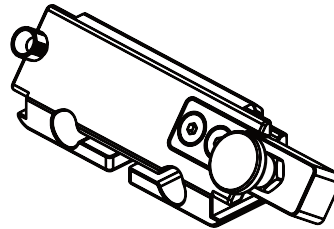
Short Riser



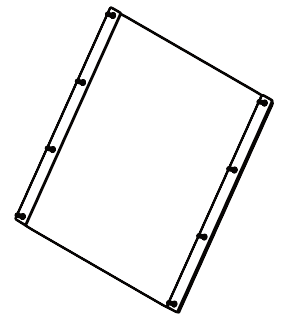
Sled



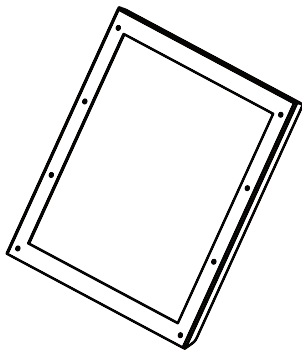
Base



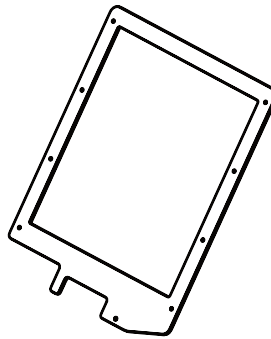
Glass Frame Holder Bracket  
w/ Rod Clamps



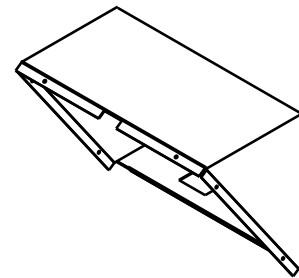
Glass



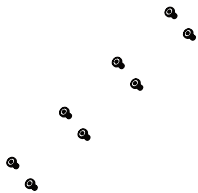
Hood Attachment Frame



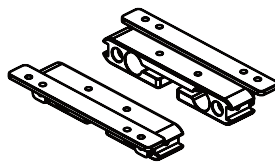
Glass Holder



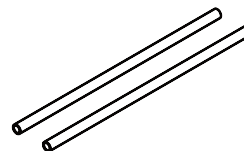
Hood



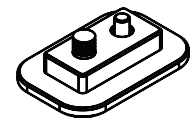
Glass Frame Screws



15mm Rod Clamps

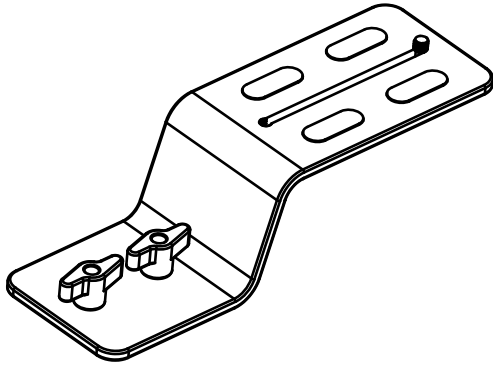


15mm Rods

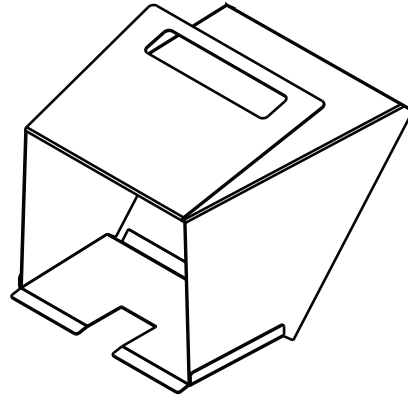


Large Riser  
Bracket

## What's Included



**PTZ Camera Riser**

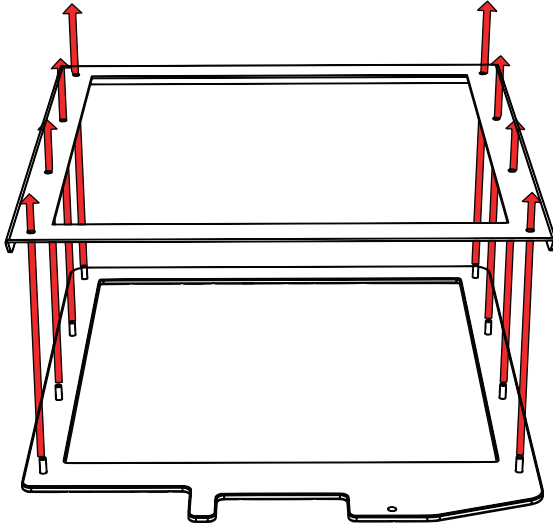


**PTZ Hood**

# Teleprompter Assembly Setup

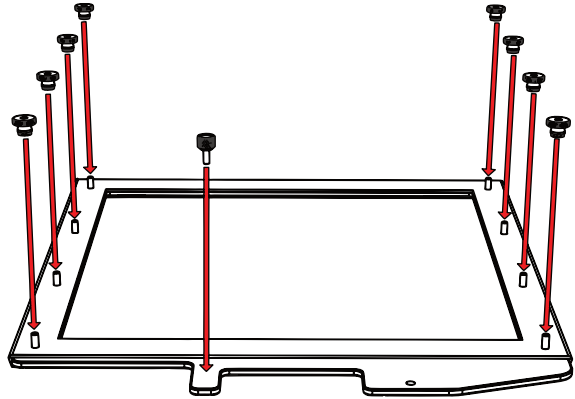
## Step 1

Place the Hood Attachment Frame over the Glass Holder. Then place the glass against the Glass Holder. Make sure the screws pass through the holes on the both the Hood Attachment Frame and the Glass Holder.



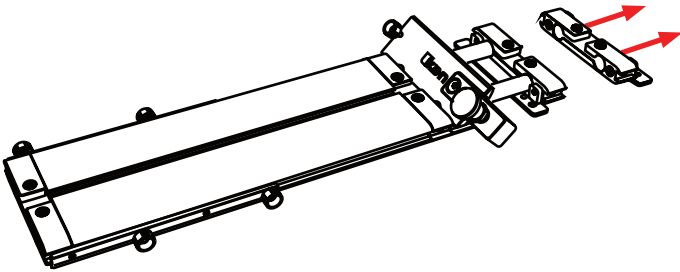
## Step 2

Secure the Glass Holder by fastening the knurled nuts to the screws as pictured below.



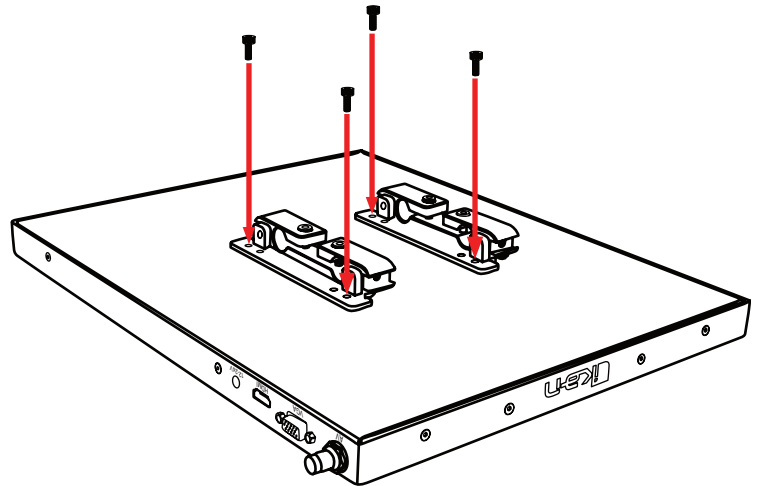
## Step 3

Remove the monitor mounts from the teleprompter base using the included larger 4mm hex key to loosen from the 15mm rods.



## Step 4

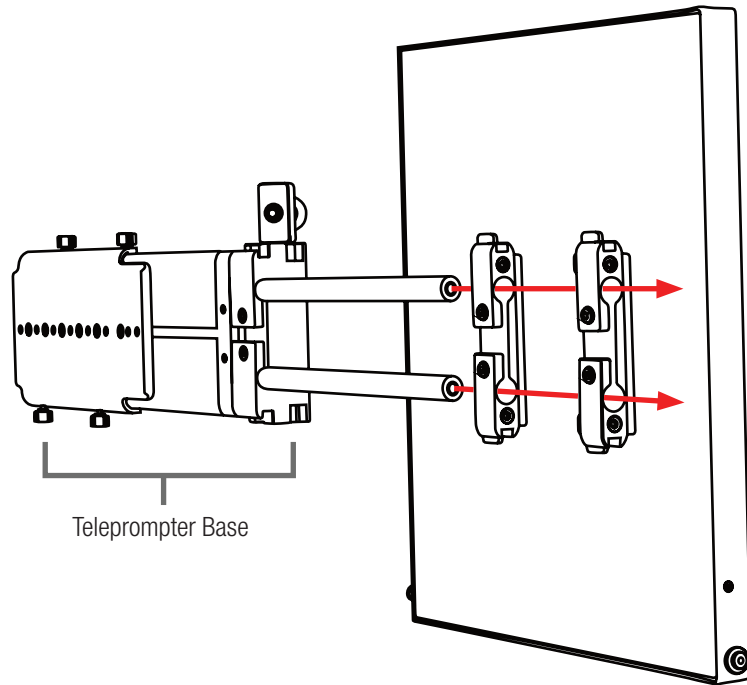
Put the washers on before tightening the screws. The washers and 4 additional screws are inside a bag on the bottom foam.



## Step 5

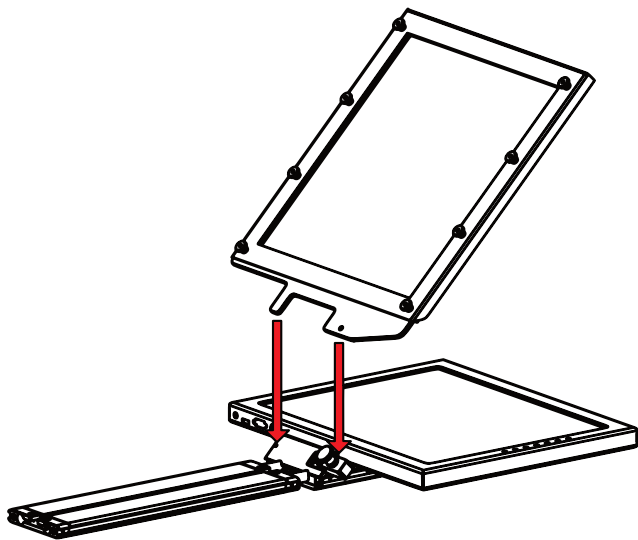
After the monitor mounts are attached, adjust the 15mm rods to accommodate the monitor. Leave about 1 inch of room for the teleprompter bracket. Make sure the 15mm rods go through both set of monitor mounts. Please ensure that all screws are properly tightened after inserting the monitor.

**\*SAFETY NOTE\*** Make sure to leave at least 2 inches of the rods inside the teleprompter base.



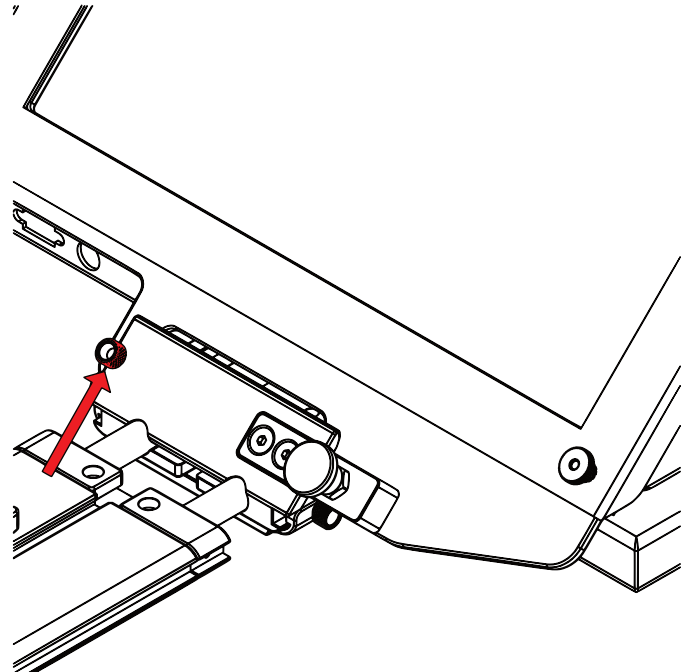
## Step 6

While sliding the teleprompter bracket into the slot of the Glass Frame Holder Bracket, pull on the red knob to allow the bracket to fully slide in.



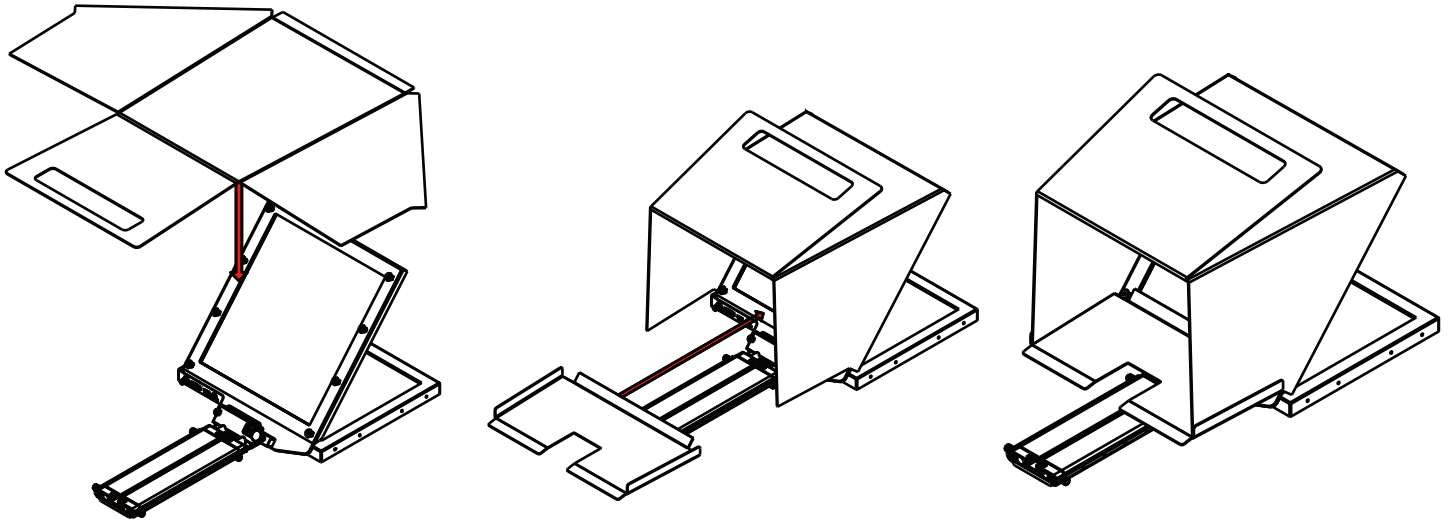
## Step 7

Once the bracket is in place, tighten the side screw to lock in place. Double check and make sure all the screws are tightened with the included hex keys.



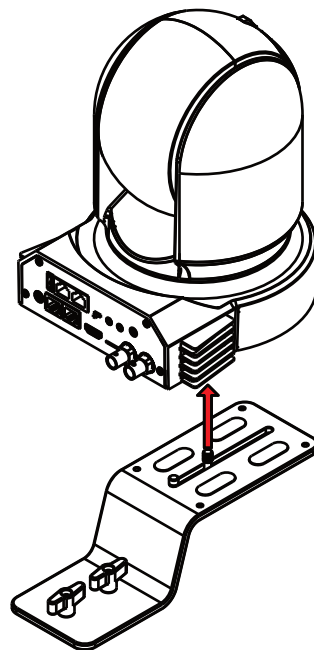
## Step 8

Fold the flaps of the Hood alongside the edges of the Hood Attachment Frame. The flaps of the Hood are magnetic so they will automatically attach. Connect the bottom part of the hood by attaching the magnetic flap to glass frame holder. Connect the Velcro straps to the sides of the hood.



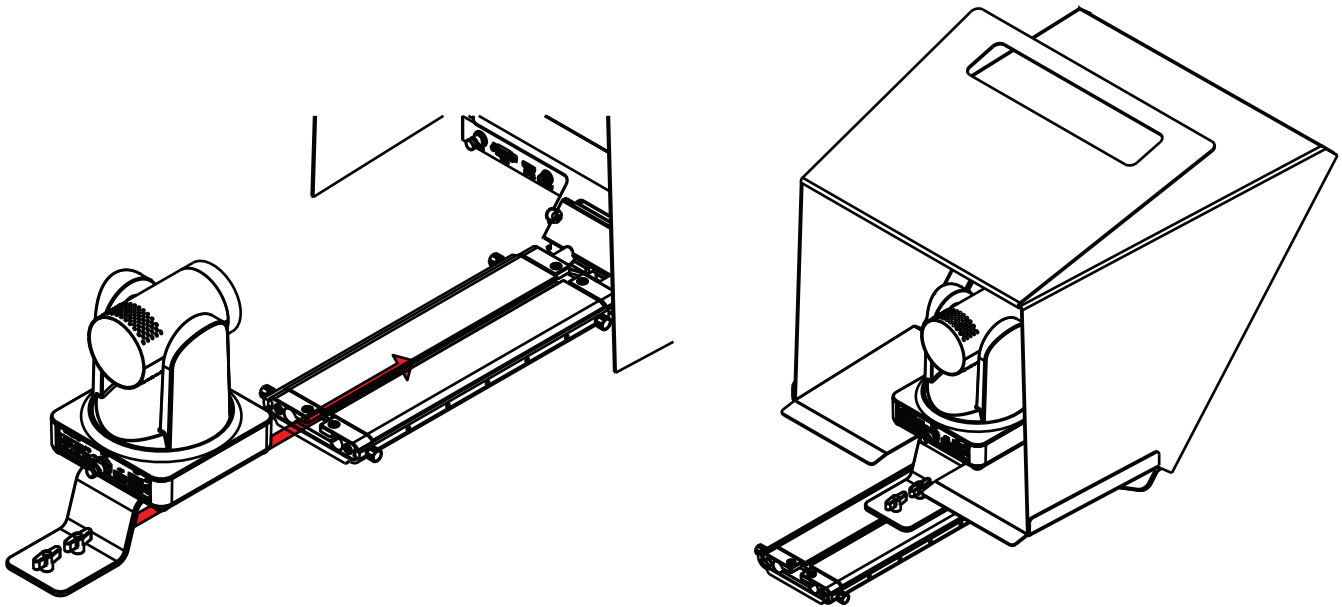
## Step 9: Connecting the PTZ Riser to PTZ Cameras

Connect the PTZ Camera Riser to the PTZ camera plate first, by aligning the screw threads of the camera to the 1/4-20 screw from the riser plate. Once the plate has been aligned, fasten the 1/4-20 screw on the PTZ Riser Plate to the thread on the bottom of the PTZ camera.



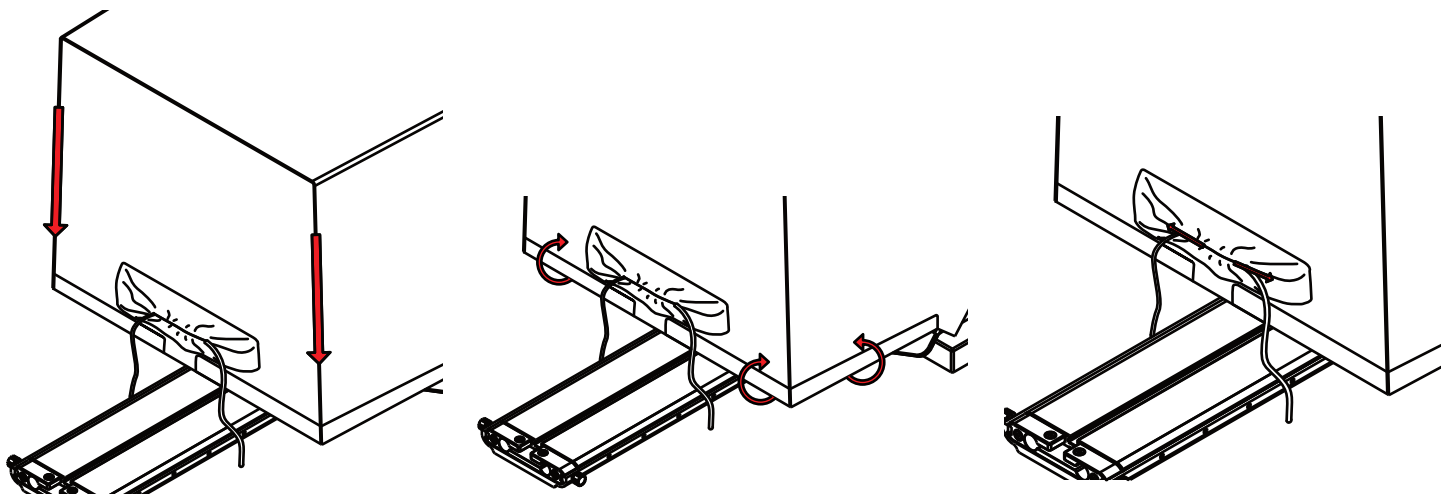
## Step 10

Set the PTZ camera inside the hood by aligning the screws on the riser plate to the slot on the Base. Once the screws are aligned, Slide the riser plate into the Base.



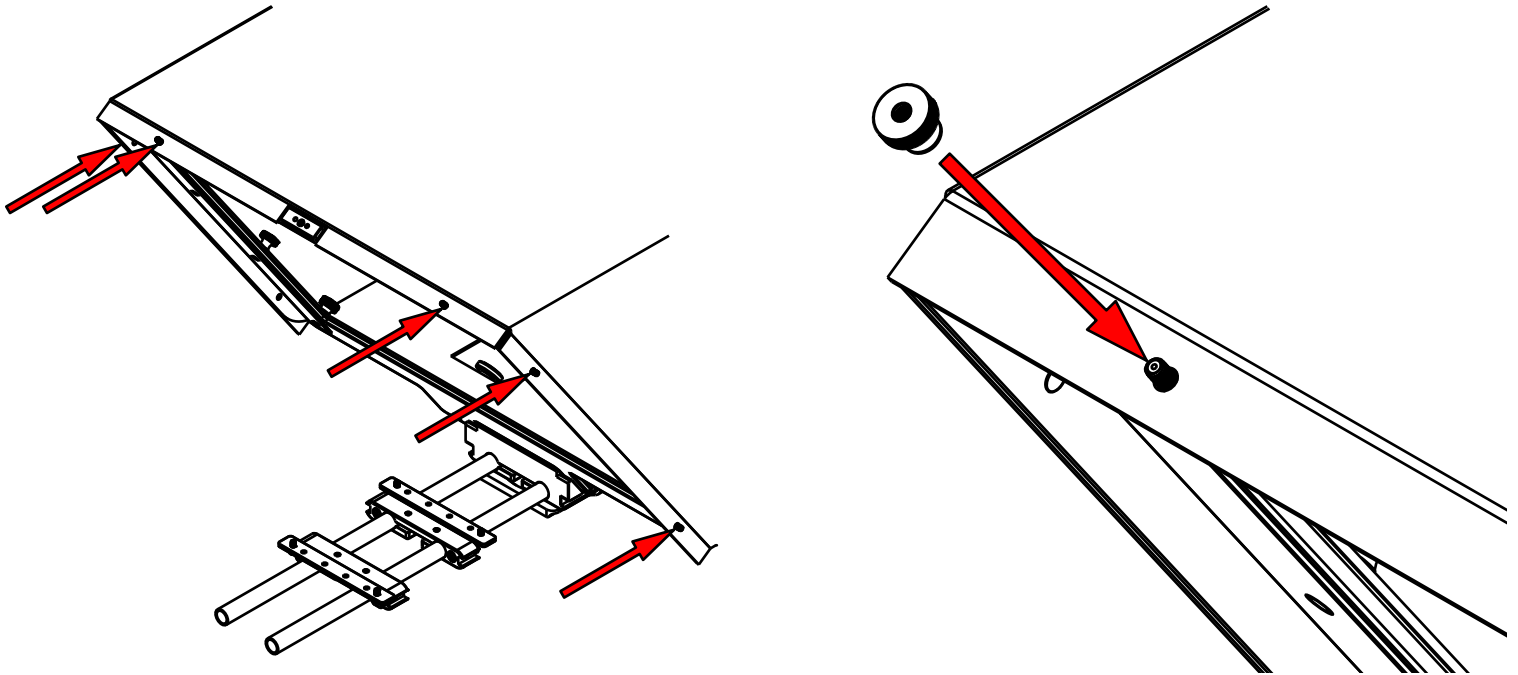
## Step 11

To prevent light from leaking through the hood, seal both zippers down, attach the Velcro straps along the back and sides of the hood. Connect the cables to the back of your PTZ camera by putting them through the slot on the back of the PTZ Hood. Once your cables are connected, tighten the draw string on the back of the PTZ Hood.



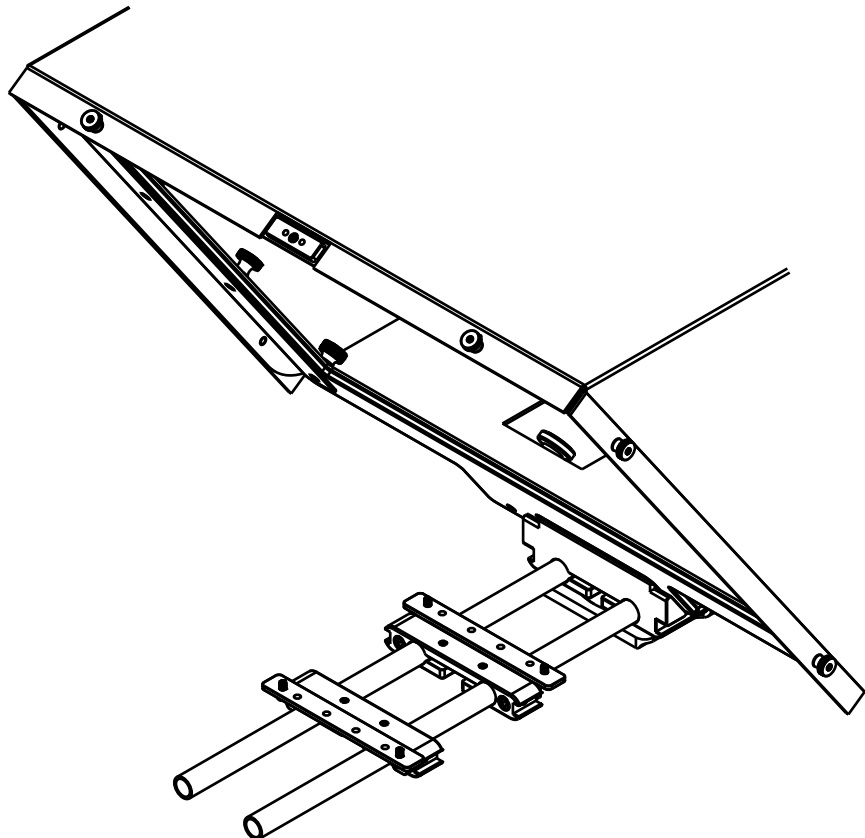
## Step 12

Fold the flaps of the Hood alongside the edges of the Hood Attachment Frame. The flaps of the Hood are magnetic so they will automatically attach.



## Step 13

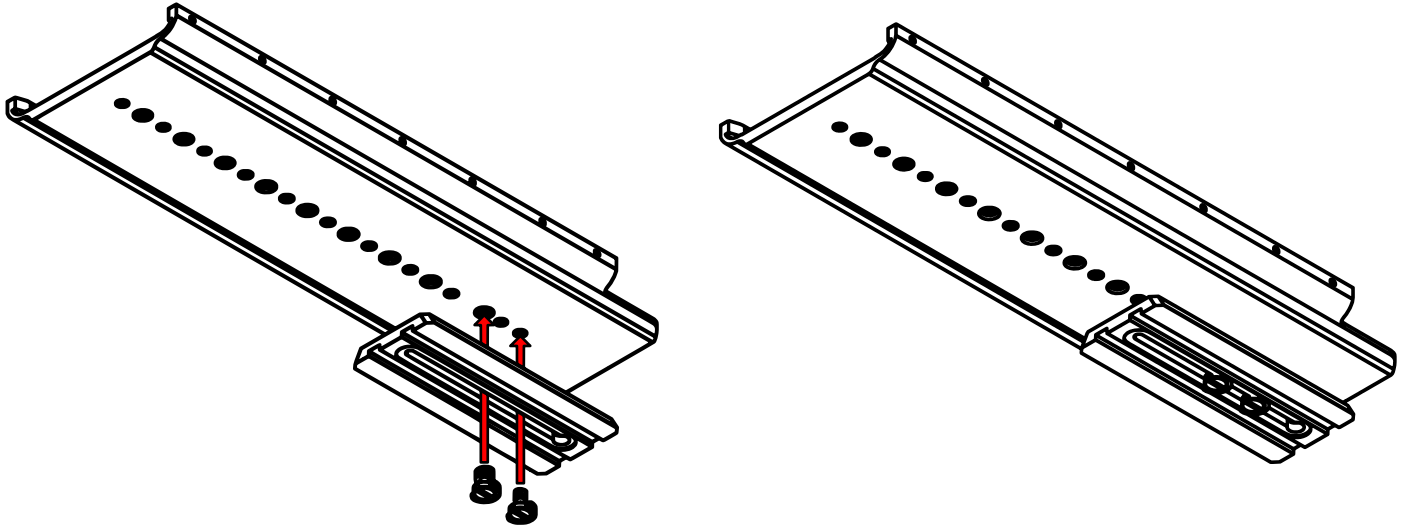
To prevent light from leaking through the hood, seal both zippers down.





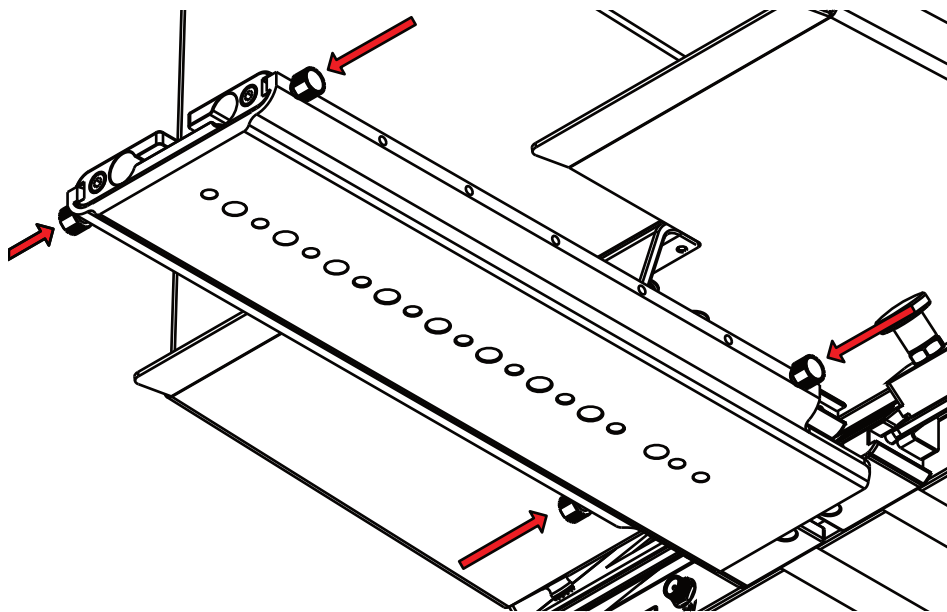
## Step 14

Mount your own tripod plate to the bottom plate by aligning the 1/4-20 and/or 3/8-16 screws and fastening them to the Bottom Plate. It is recommended that you connect your tripod plate to front of the Bottom Plate so that you can balance your teleprompter easier. Once your tripod plate is connected to the Bottom Plate, mount the tripod plate to your tripod head.



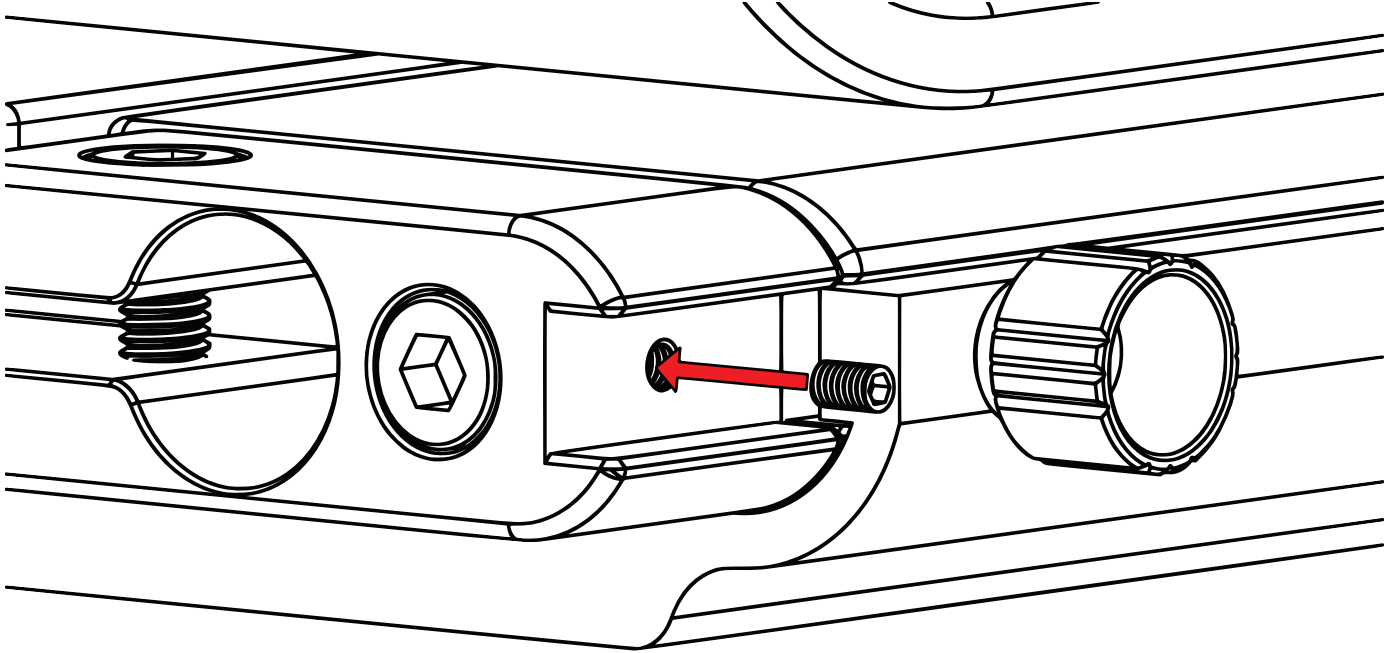
## Step 15

In order to properly balance the teleprompter, loosen the 4 screws on the bottom plate and slide the entire teleprompter system back or forward until the center of gravity has been determined. Once the center of gravity has been determined, tighten the thumb screws to keep the base from sliding.



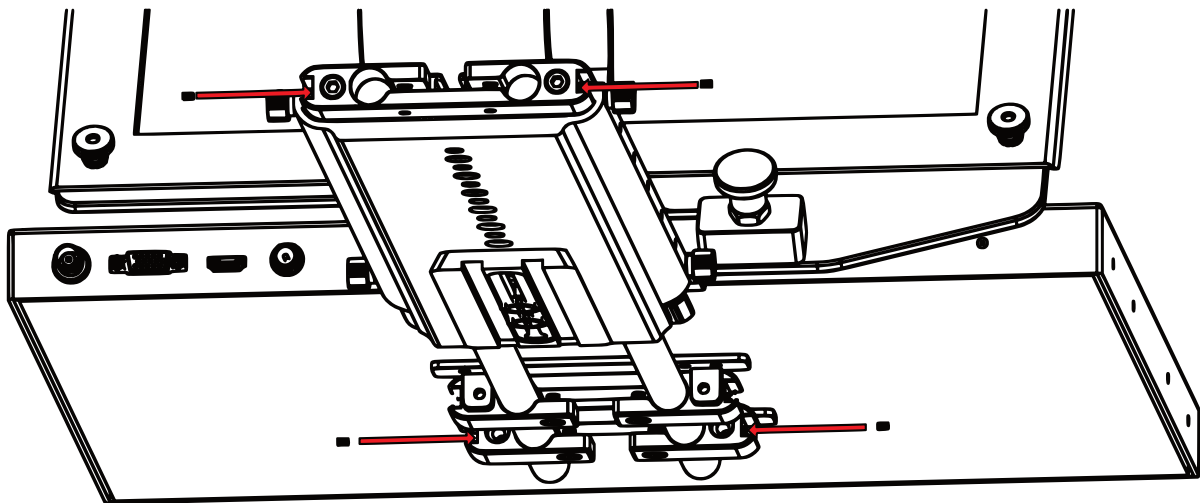
## Step 16

To secure your teleprompter system, insert the included headless screws into the threads behind and in front of the Base.

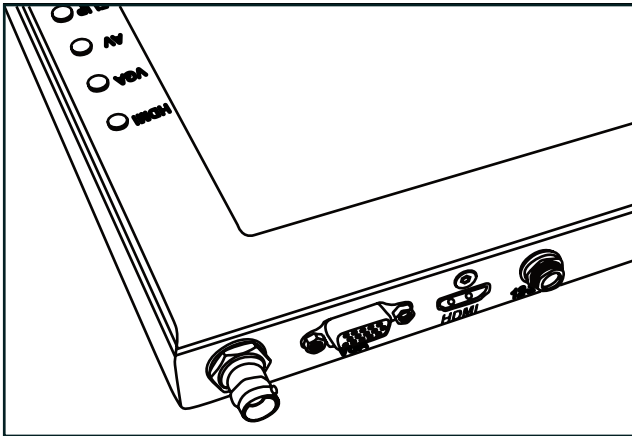


## Step 17

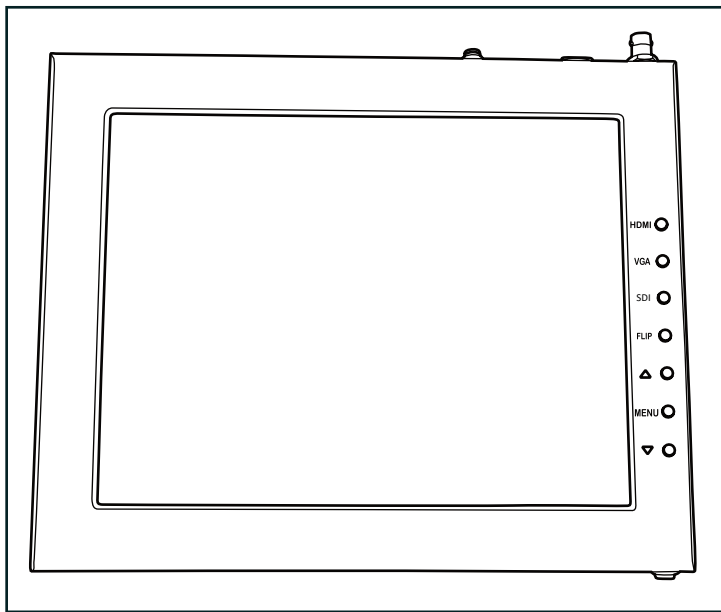
The headless screws should be inserted to the threads as pictured below.



## Monitor Ports



BNC – 3G-SDI Connection  
VGA – Video Graphics Array DE15 Connection  
HDMI – High-Definition Multimedia Interface Input Connection  
Power Port – 12-24v Input



HDMI – Switch HDMI input  
VGA – Switch to VGA input  
SDI – Switch to composite BNC SDI input  
Flip – Toggle image flip  
(Can be set to horizontal, vertical, or both via menu)  
Up Arrow – Toggle up to adjust setting  
Menu – Access to monitor settings  
Down Arrow – Toggle down to adjust setting

## Monitor Menu Settings

### Video Config

- Contrast (White Level)
- Brightness (Black Level)
- Tint (Chroma Hue)
- Chroma (Chroma Saturation)
- Sharpness (Detail)
- RGB Setup – Manually configure RGB
- Return

### System Config

- Menu Duration – Set duration of how long menu stays on screen
- Video Ratio – Set screen aspect ratio 16:9 or 4:3 (4:3 is native resolution, 16:9 will create black bars)
- Flip-H – Assign toggle button to flip image horizontally
- Flip-V – Assign toggle button to flip image vertically
- Reset – Factory reset
- Return

### PC Setup (Only available for VGA)

- H-Position – Adjust horizontal position
- V-Position – Adjust vertical position
- Auto – Monitor automatically adjust position
- Return

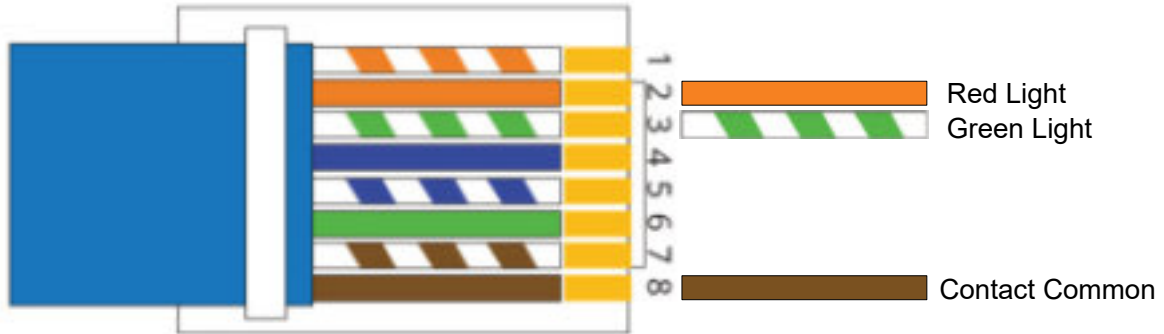
Exit

## How to set-up FLIP button feature:

1. Press MENU button
2. Navigate to SYSTEM CONFIG.
3. Navigate to FLIP-V or FLIP-H
4. Change FLIP-V and/or FLIP-H to "ON"
5. Exit MENU
6. The FLIP button should now be activated and can be pressed to mirror the image Horizontally or Vertically
7. When FLIP-H is ON, the image will flip Horizontally
8. When FLIP-V is ON, the image will flip Vertically
9. If both are ON, the FLIP button will toggle both Horizontal and Vertical flip

## Pinout Diagram for Tally Light

# Tally Pin Layout Diagram



## Learn More

More dynamic information at official website :[www.ikancorp.com](http://www.ikancorp.com)

## Support

Contact email: [support@ikancorp.com](mailto:support@ikancorp.com)

Watch our VIDEO TUTORIAL on how to assemble PT419W Teleprompters:

<https://ikancorp.com/pt419-tutorial-videos/>



## Optional Accessories

<b>PT4U-G</b>	Replacement Glass for PT419
<b>M19W-V2</b>	19" Talent Monitor Add On Kit for PT419W
<b>PT-PEDAL</b>	Teleprompter Foot Control Pedal
<b>PT-CONTROLLER</b>	Teleprompter Rotary Controller
<b>PT-CASE-4U</b>	Rolling Hard Case for PT419 Teleprompter



## Foam Case

To make your teleprompter more portable, we packed it in a reusable, high-quality foam. The shape and size of the foam was designed to fit into Ikan's PT-CASE-4U



**\*\*DO NOT THROW AWAY FOAM CASE\*\***

## Learn More

More dynamic information at official website: [www.ikancorp.com](http://www.ikancorp.com)

## Support

Contact email: [support@ikancorp.com](mailto:support@ikancorp.com)

---

### CONDITIONS OF WARRANTY SERVICE

- Free service for one year from the day of purchase if the problem is caused by manufacturing errors.
- The components and maintenance service fee will be charged if the warranty period is expired.

**Free Service will not be Provided in the Following Situations:(\*Even if the product is still within the warranty period.)**

- Damage caused by abuse or misuse, dismantling, or changes to the product not made by the company.
- Damage caused by natural disaster, abnormal voltage, and environmental factors, etc.

©2024 Ikan International. All rights reserved.