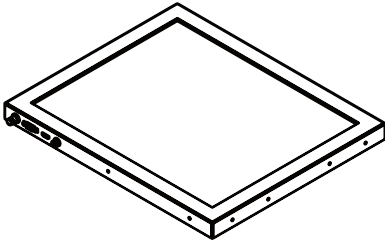


Professional 19" High-Bright Beam Splitter Teleprompter w/ Talent Monitor

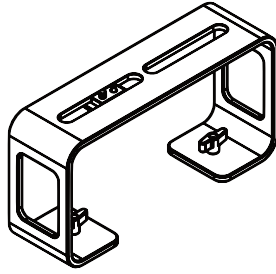
**OVERVIEW**

Ikan's professional teleprompter series is designed for a quick and easy setup to work efficiently in studio or broadcast applications. The teleprompter includes a 65/35 reflective glass that makes the reflection easier to see for the presenter. The lightweight aluminum teleprompter has multiple 1/4-20" and 3/8-16" threads for mounting to a tripod or pedestal. The monitor includes SDI, HDMI, Composite, and VGA video inputs. Its high bright screen ensures clear visibility in any lighting condition. An intuitive image flip button allows for easy adjustment of the display orientation. The monitor also features a wide viewing angle, as well as integrated tally lights to let you know when your camera is live. This teleprompter kit features a 15" widescreen SDI talent monitor with a built-in tally light.

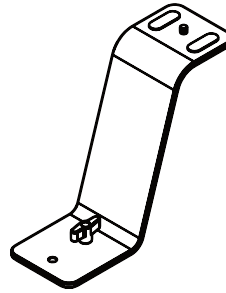
What's Included



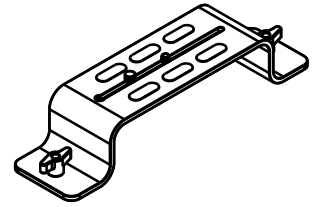
Monitor



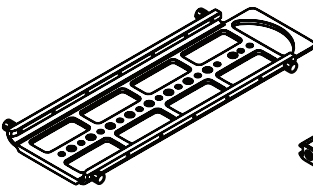
Tall Riser



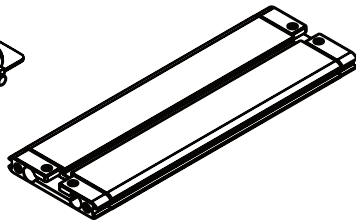
DSLR/Mirrorless Riser



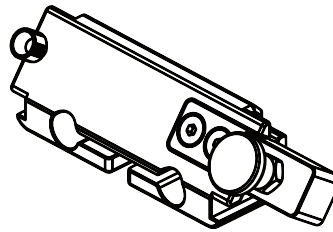
Short Riser



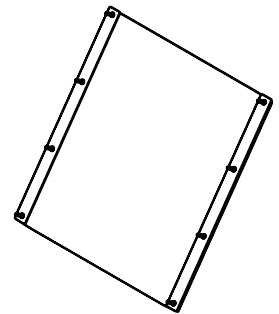
Sled



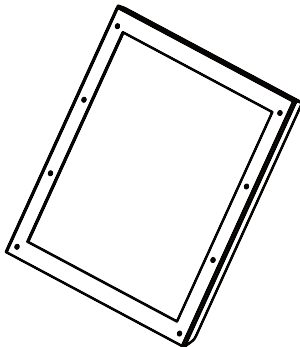
Base



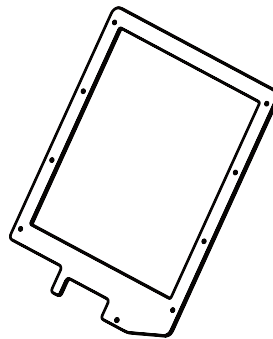
Glass Frame Holder Bracket
w/ Rod Clamps



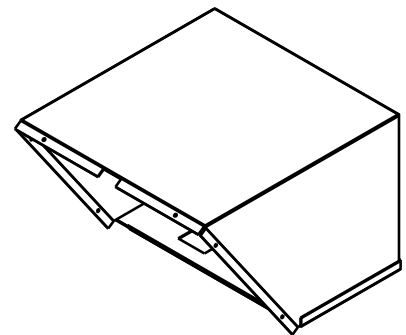
Glass



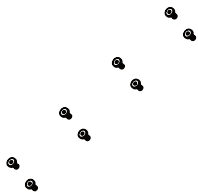
Hood Attachment Frame



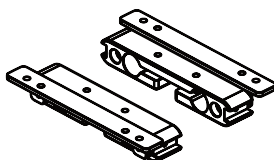
Glass Holder



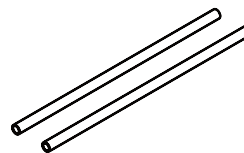
Hood



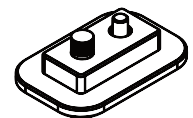
Glass Frame Screws



15mm Rod Clamps

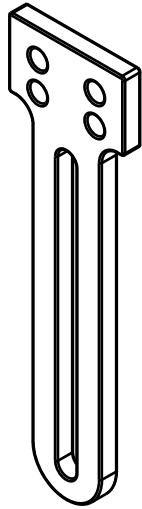


15mm Rods

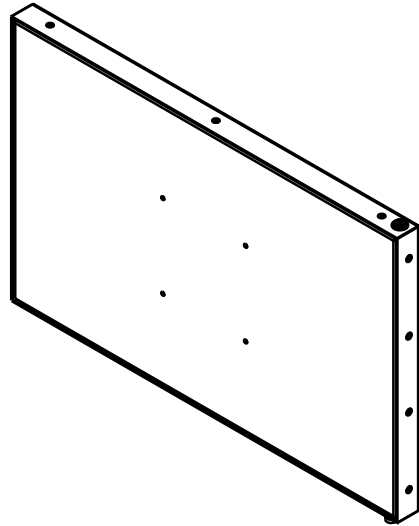


Large Riser
Bracket

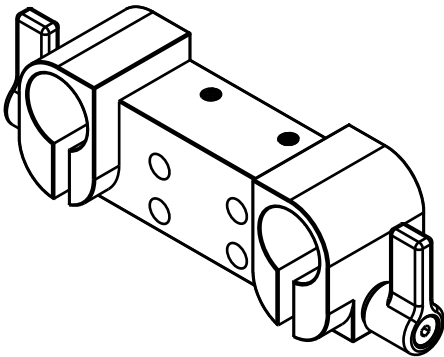
What's Included



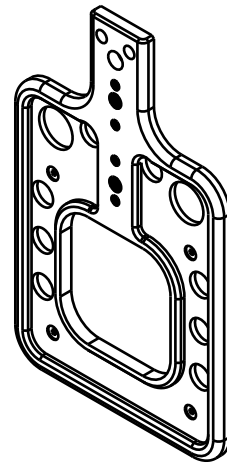
Height Adjustment
Plate



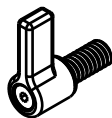
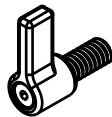
Talent Monitor



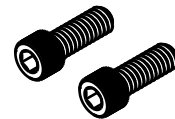
Rod Adapter



VESA Adapter



Thumb
Screws

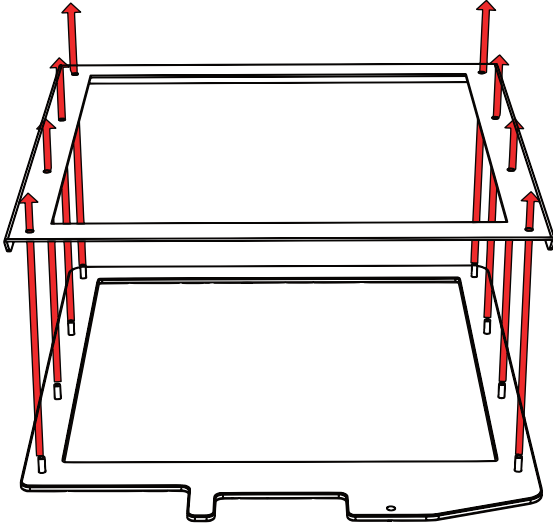


Screws

Teleprompter Assembly Setup

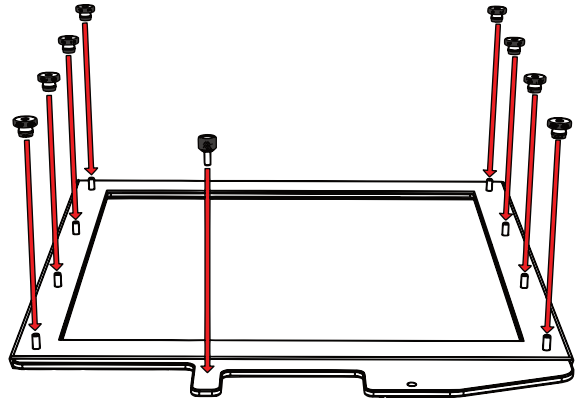
Step 1

Place the Hood Attachment Frame over the Glass Holder. Then place the glass against the Glass Holder. Make sure the screws pass through the holes on the both the Hood Attachment Frame and the Glass Holder.



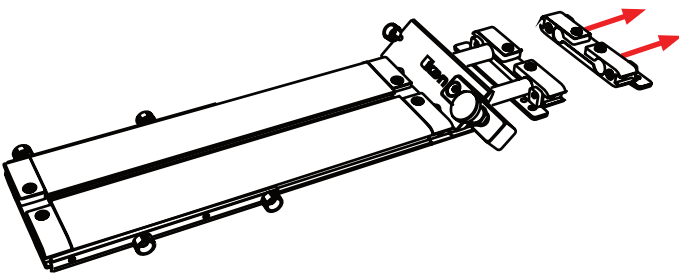
Step 2

Secure the Glass Holder by fastening the knurled nuts to the screws as pictured below.



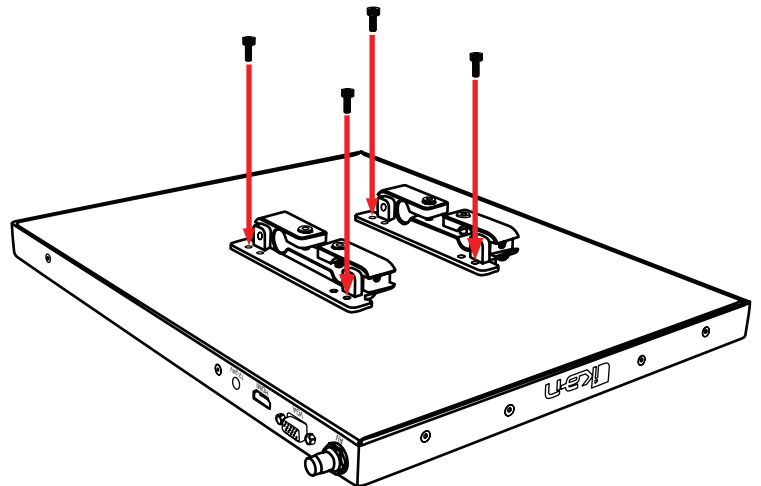
Step 3

Remove the monitor mounts from the teleprompter base using the included larger 4mm hex key to loosen from the 15mm rods.



Step 4

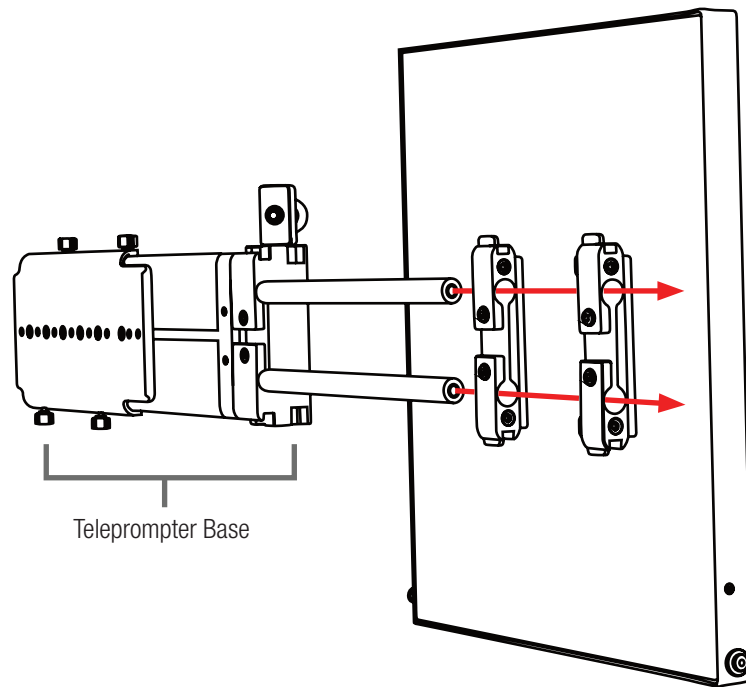
Put the washers on before tightening the screws. The washers and 4 additional screws are inside a bag on the bottom foam.



Step 5

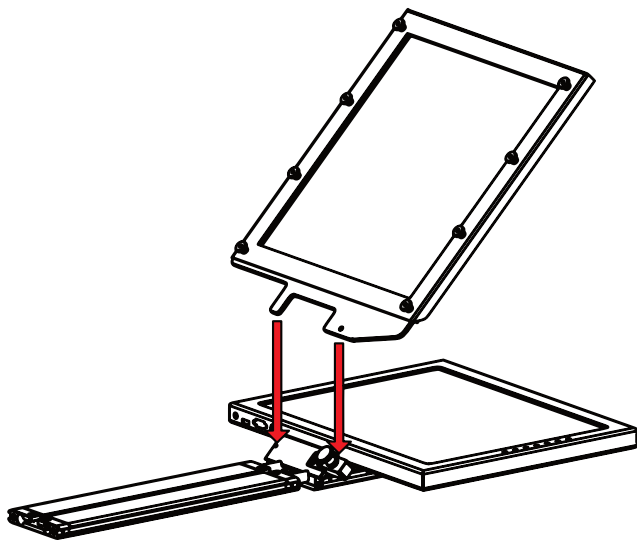
After the monitor mounts are attached, adjust the 15mm rods to accommodate the monitor. Leave about 1 inch of room for the teleprompter bracket. Make sure the 15mm rods go through both set of monitor mounts. Please ensure that all screws are properly tightened after inserting the monitor.

SAFETY NOTE Make sure to leave at least 2 inches of the rods inside the teleprompter base.



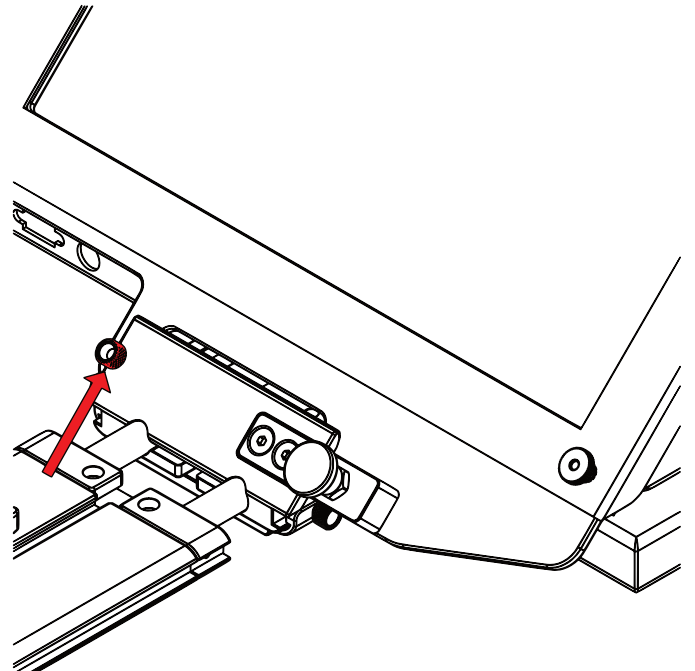
Step 6

While sliding the teleprompter bracket into the slot of the Glass Frame Holder Bracket, pull on the red knob to allow the bracket to fully slide in.



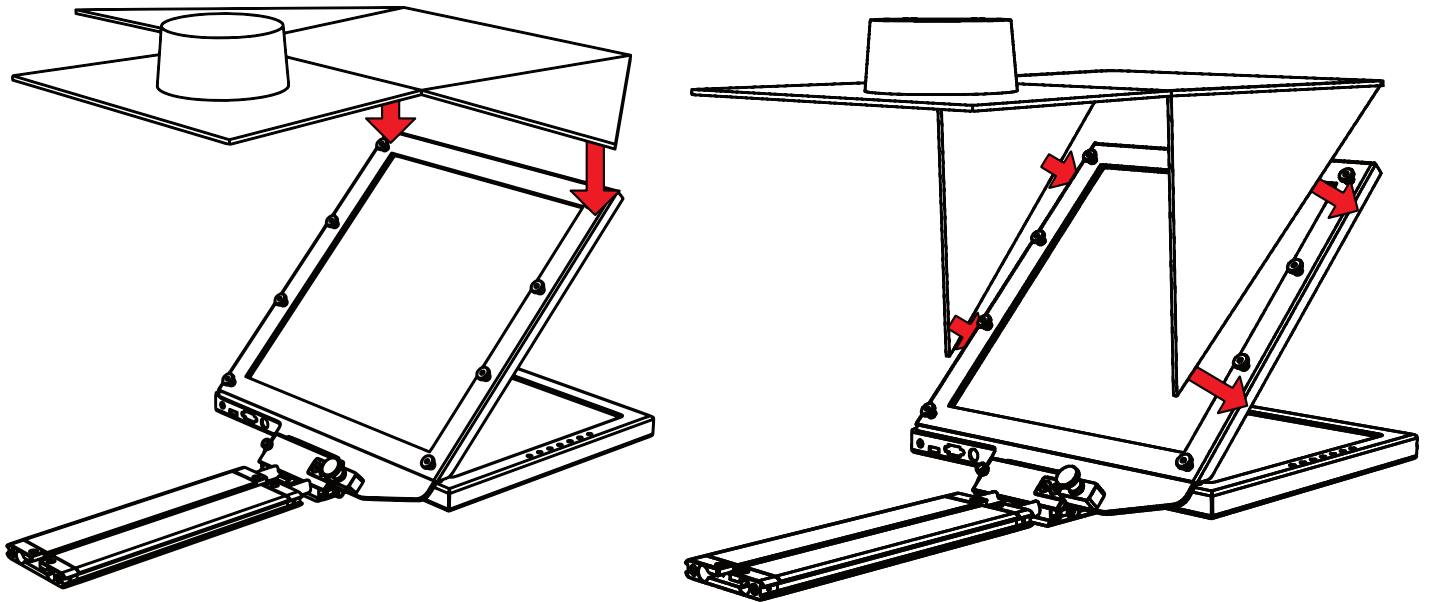
Step 7

Once the bracket is in place, tighten the side screw to lock in place. Double check and make sure all the screws are tightened with the included hex keys.



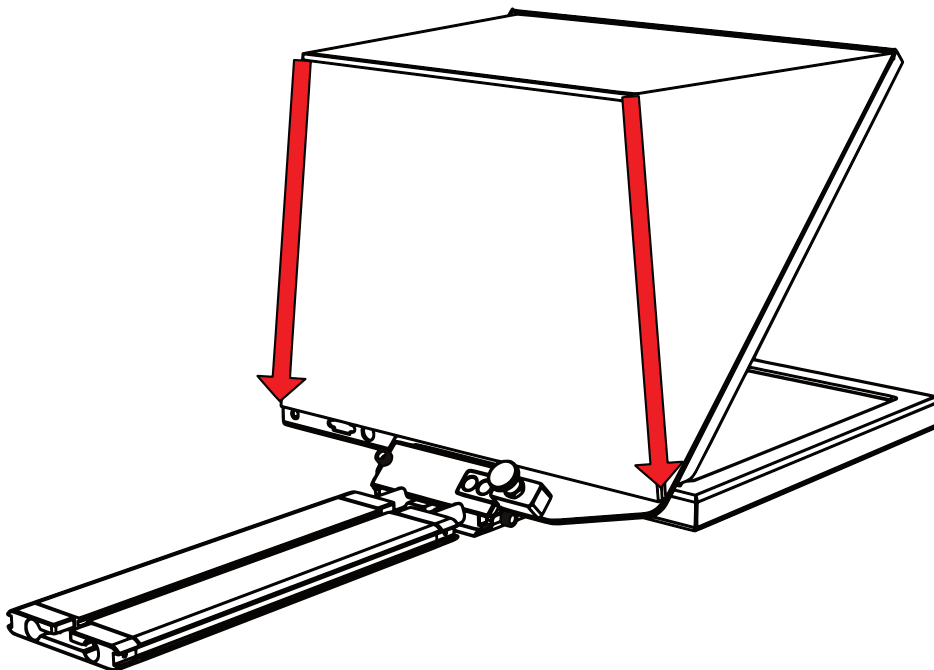
Step 8

Fold the flaps of the Hood alongside the edges of the Hood Attachment Frame. The Hood Attachment Frame includes six threaded clinch studs. Make sure to put the holes on the hood through the threaded clinch studs. The flaps of the Hood are magnetic so they will automatically attach and give extra support.



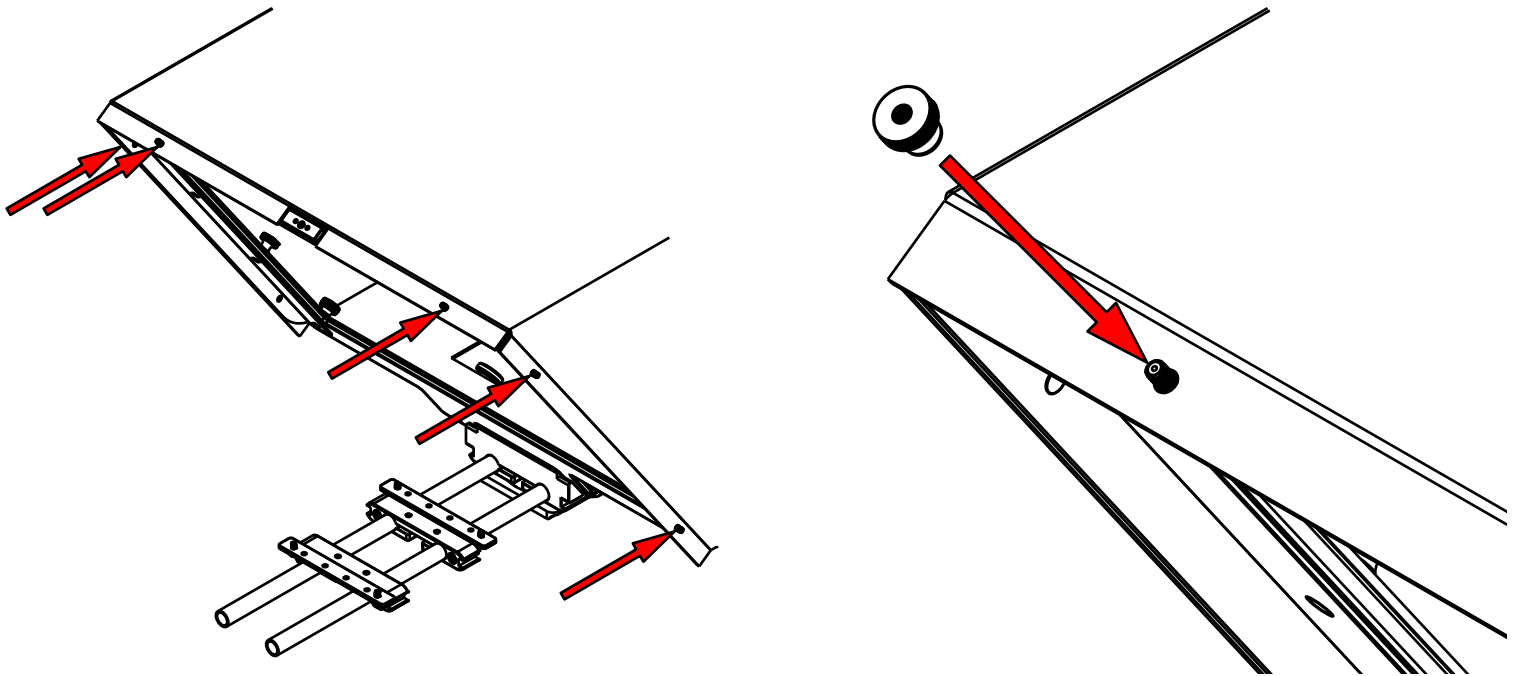
Step 9

To prevent light from leaking through the hood, seal both zippers down.



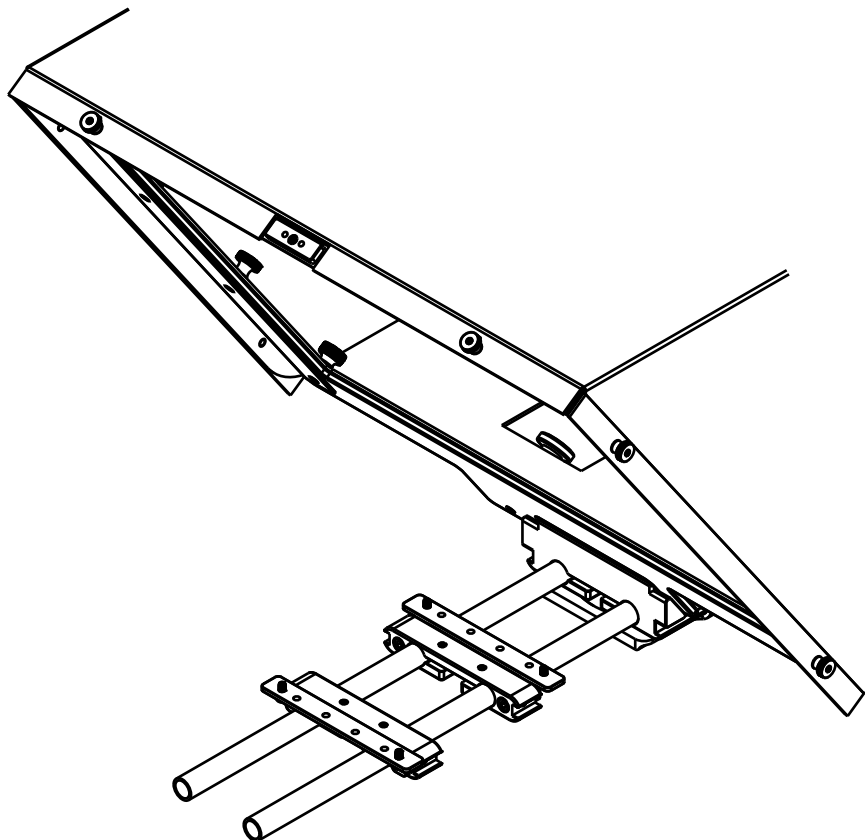
Step 10

Locate the threaded clinch studs on the Hood Attachment Frame and fasten the included nuts to the clinch studs.



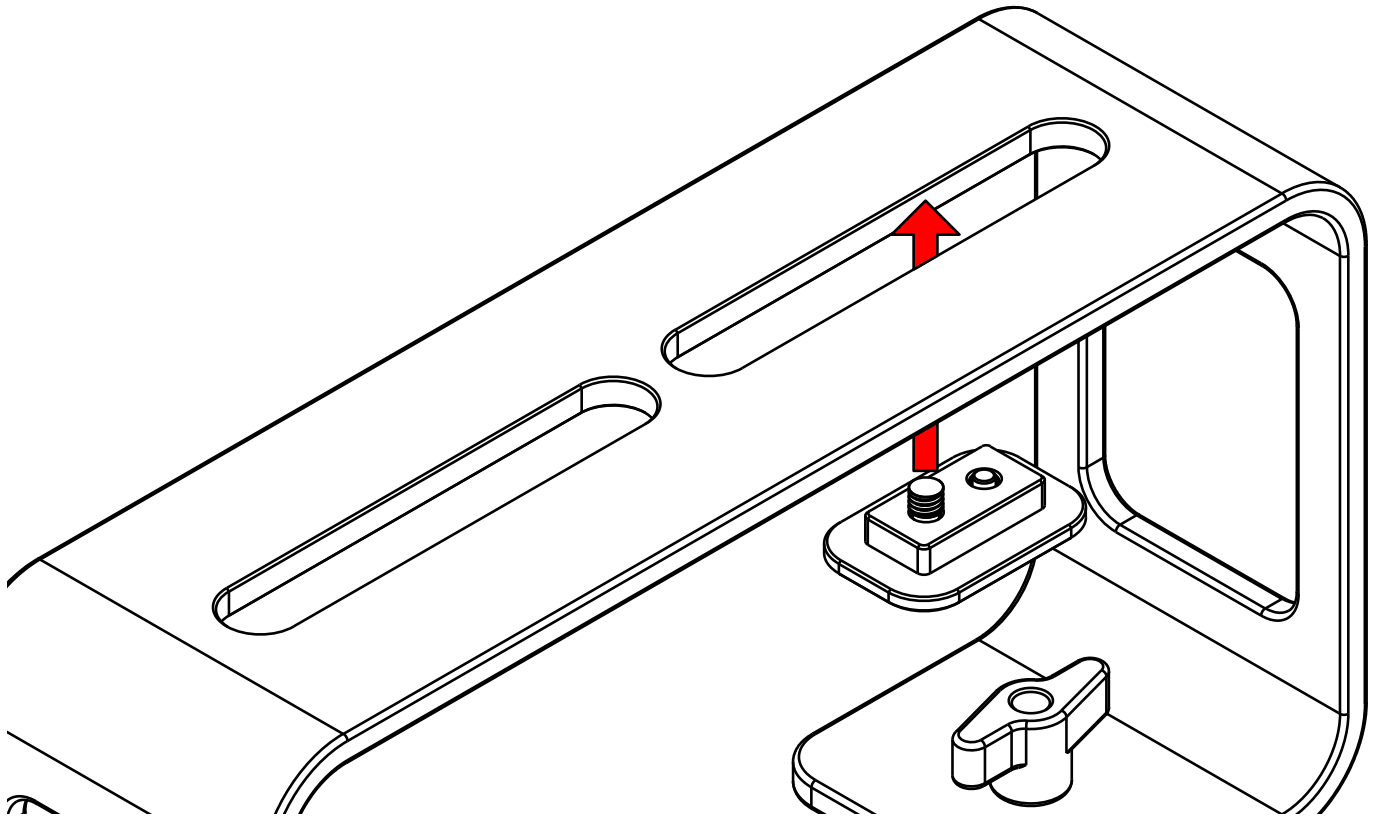
Step 11

Fasten all six of the nuts to the threads on the hood frame to secure the hood to the teleprompter.



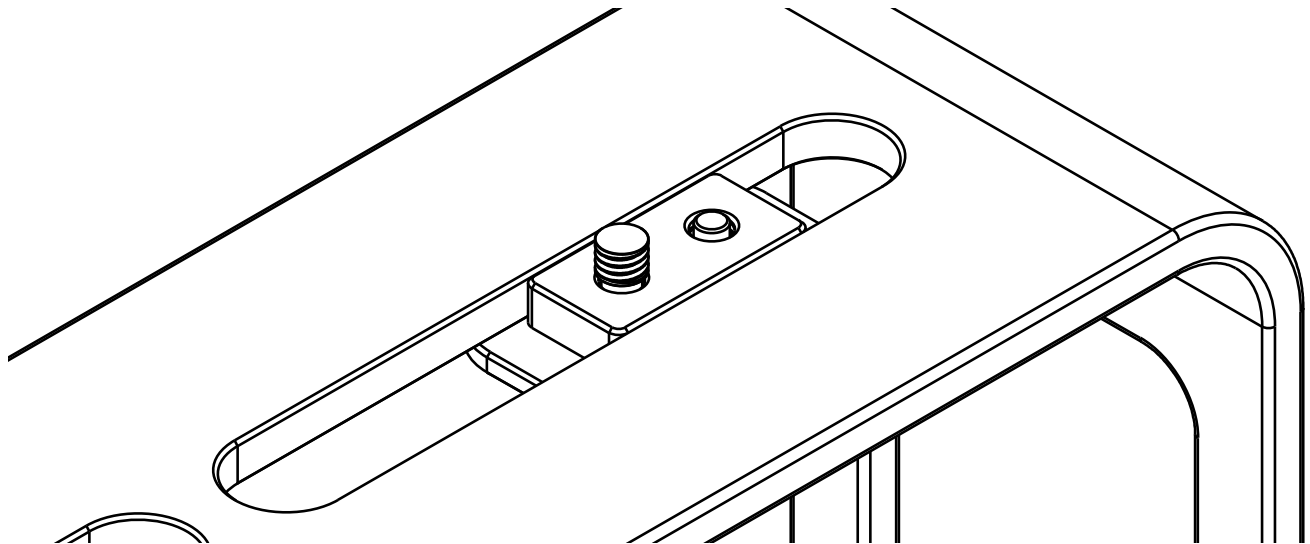
Step 12

If you need to use the Tall Riser Plate, you will need to use the Large Riser Bracket. Insert the Large Riser Bracket through the channel on the Tall Riser Plate. The Large Riser Bracket includes a location pin for use with cameras that feature a location pin hole. If your camera does not feature a location pin, you can remove the location pin by unscrewing it.



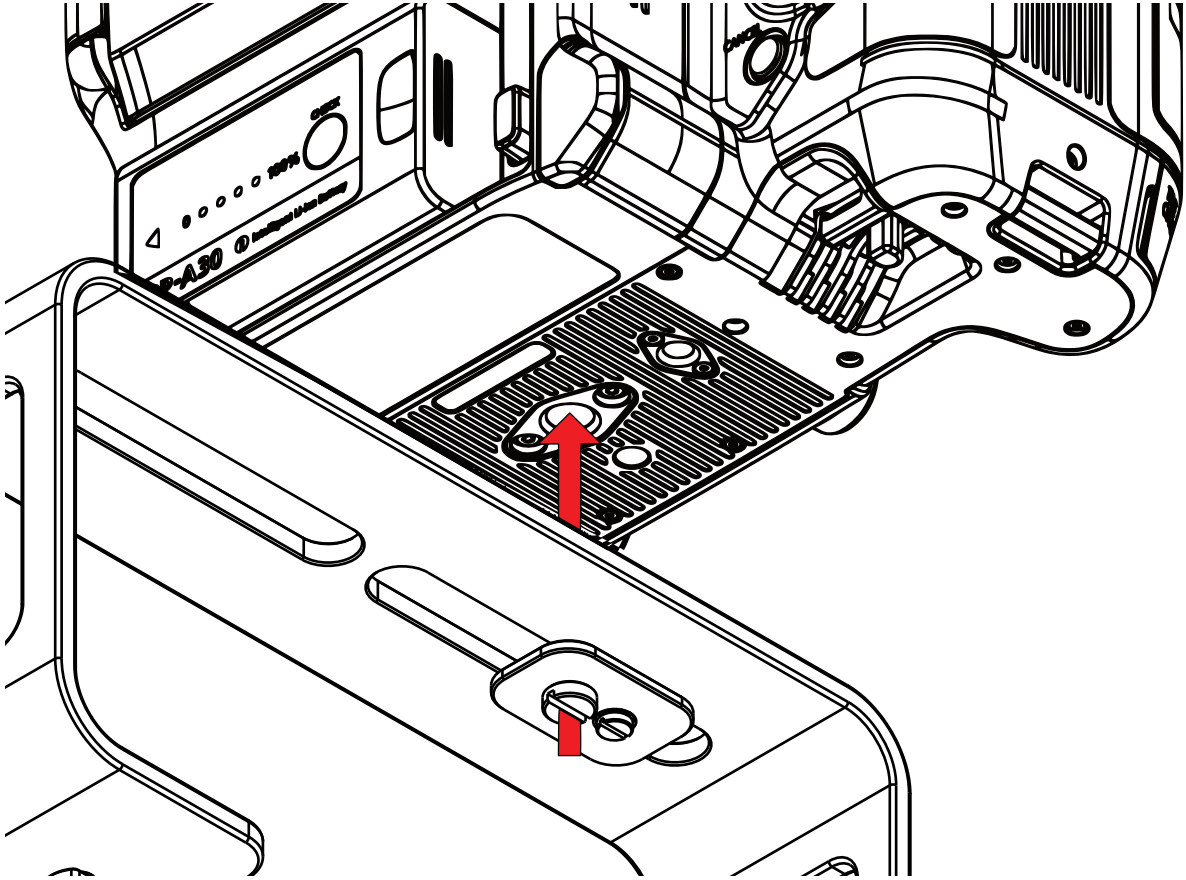
Step 13

Once the Large Riser Bracket is inserted into the channel. Hold it in place and move on to Step 14.



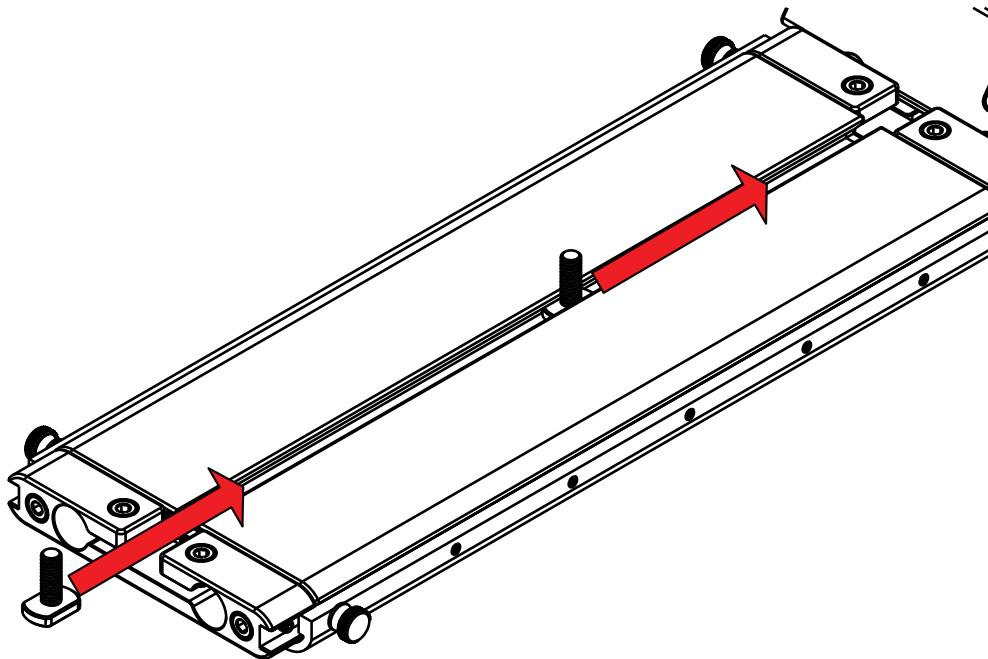
Step 14

Place the riser below your camera and fasten the 1/4-20 camera screw to the bottom of your camera to secure it to the riser plate.



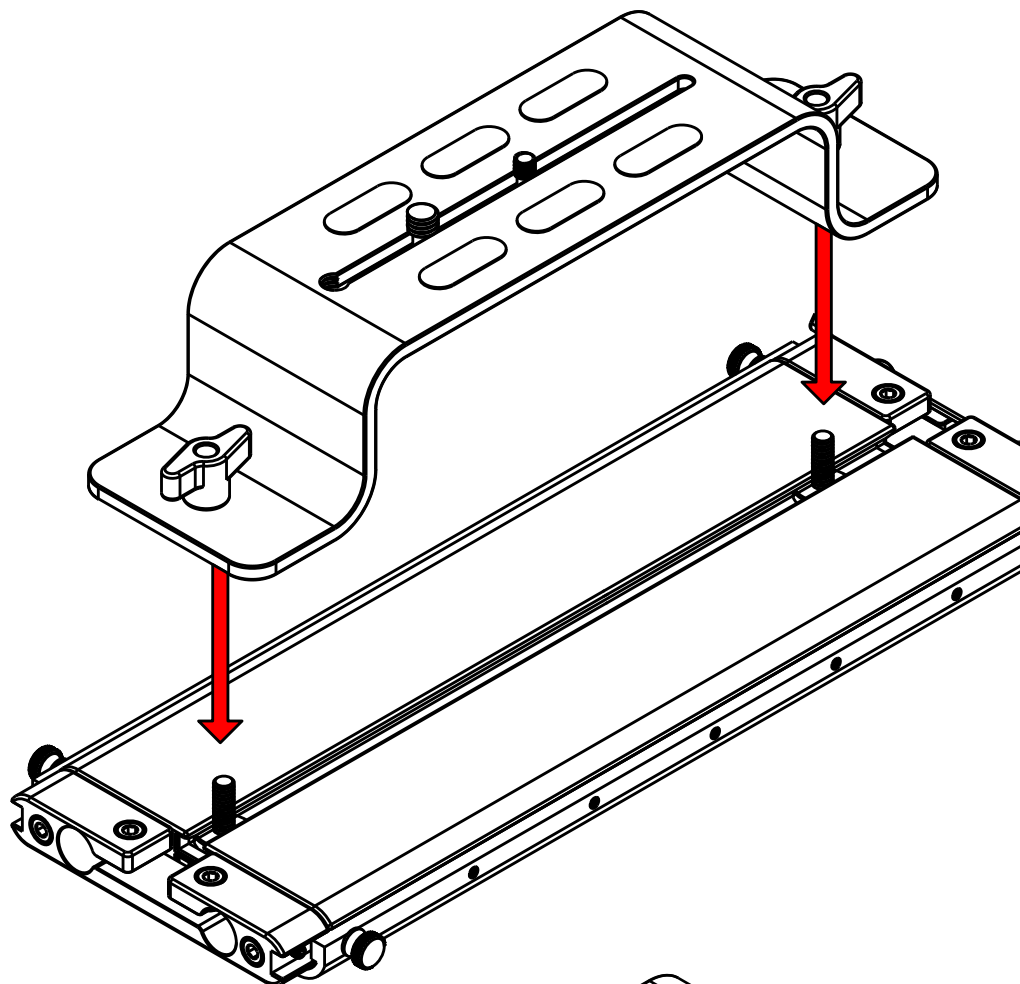
Step 15

Slide the threaded studs into the channel of the base. Make sure they are aligned to the spacing of the holes on the riser plate.



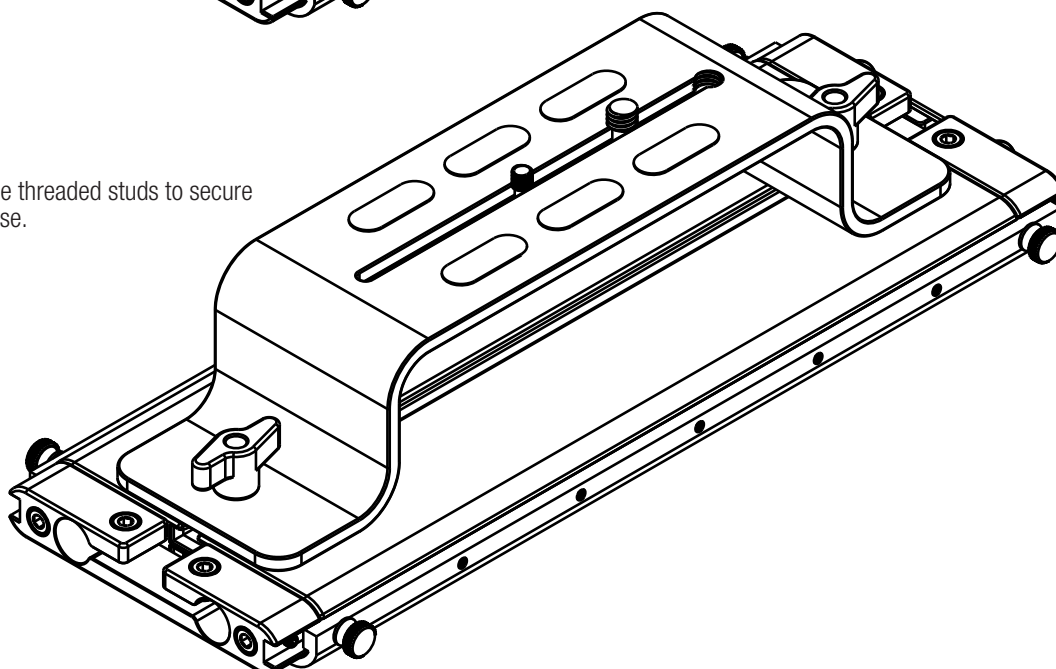
Step 16

Once the threaded studs are aligned to the holes of the riser plate, put the threaded studs through the holes of the riser plate.



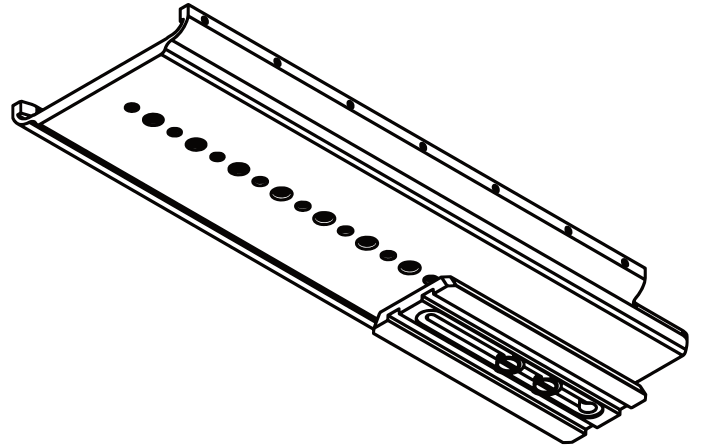
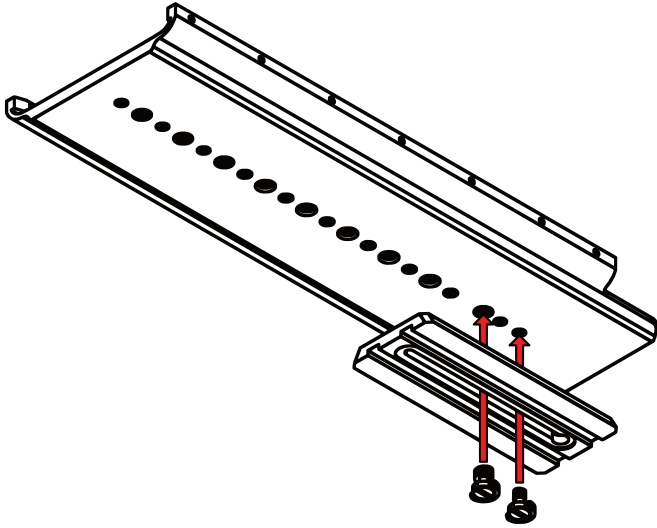
Step 17

Fasten the screws to the threaded studs to secure the riser plate to the base.



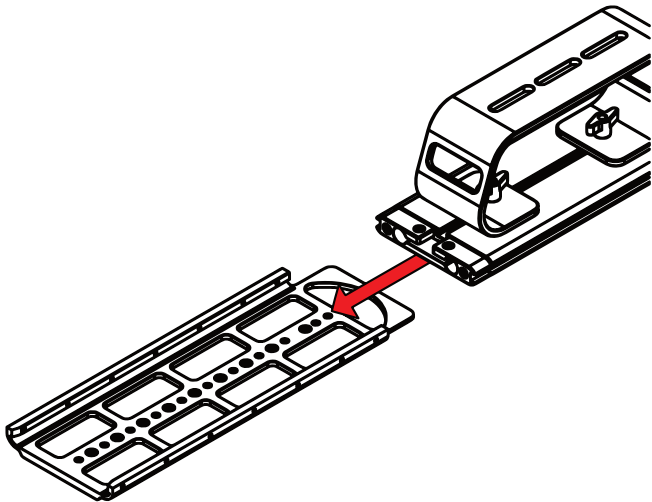
Step 18

Mount your own tripod plate to the sled by aligning the 1/4-20 and/or 3/8-16 screws and fastening them to the Sled. It is recommended that you connect your tripod plate to front of the Sled so that you can balance your teleprompter easier. Once your tripod plate is connected to the Sled, mount the tripod plate to your tripod head.



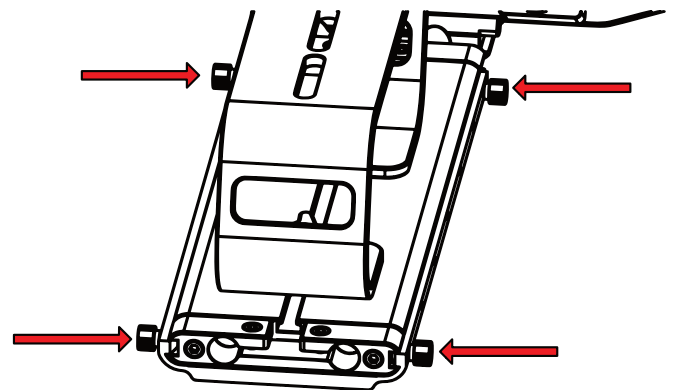
Step 19

Slide the entire teleprompter system into the Sled. Once the teleprompter system is inserted, you can balance it by sliding it along the Sled until the center of gravity is determined.



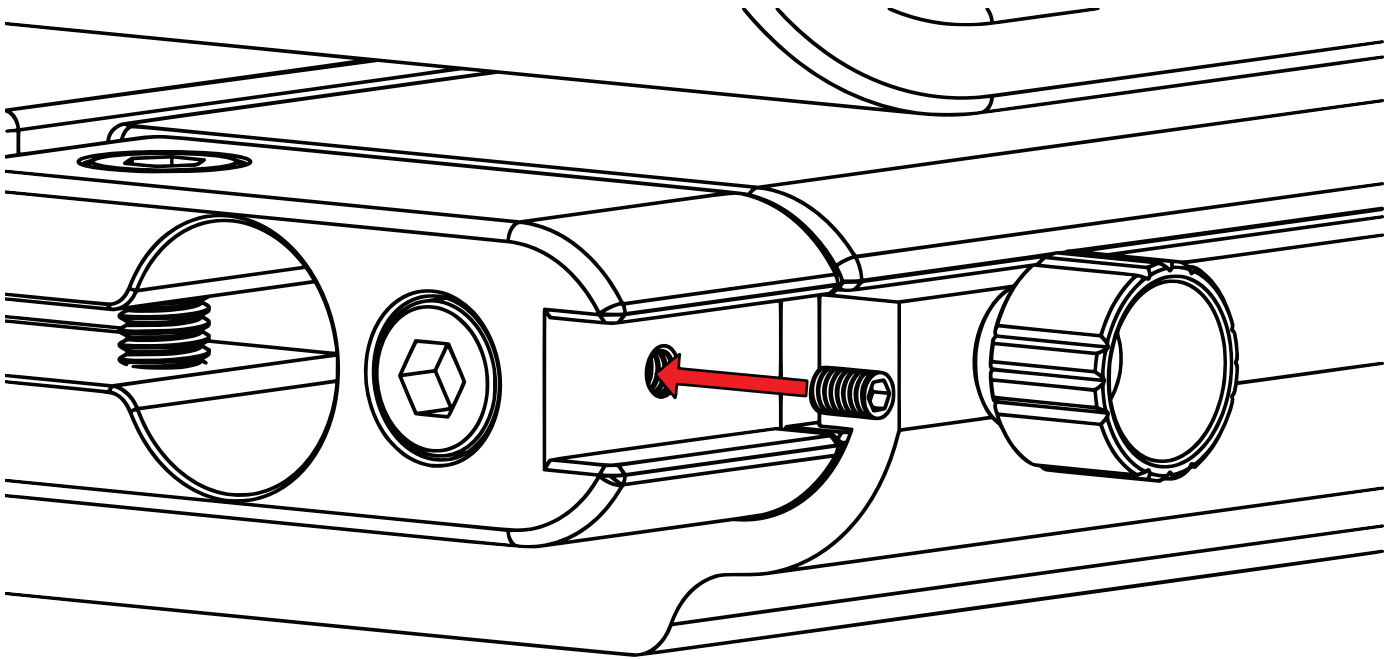
Step 20

Once the center of gravity has been determined, tighten the thumb screws to keep the base from sliding.



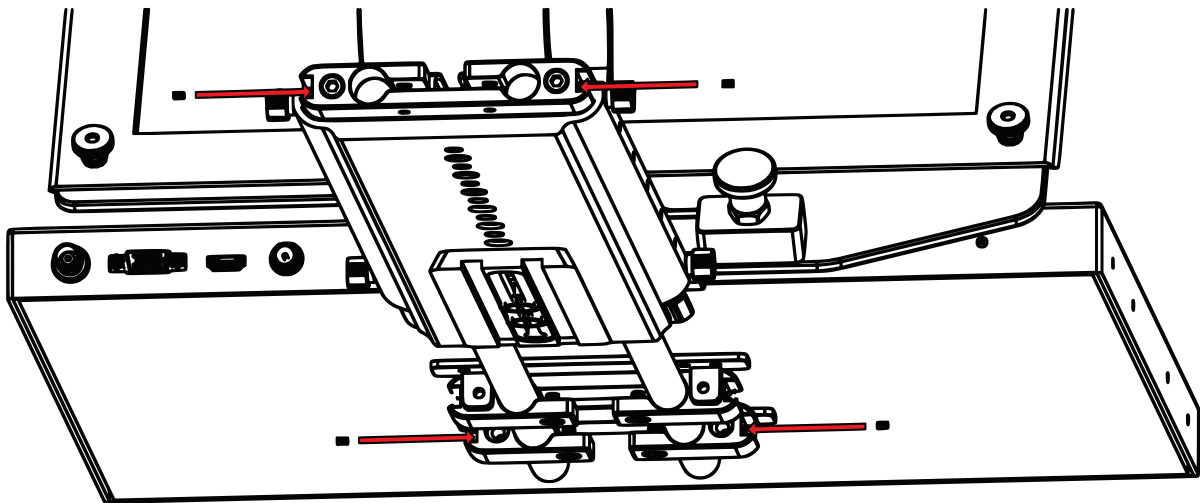
Step 21

To secure your teleprompter system, insert the included headless screws into the threads behind and in front of the Base.



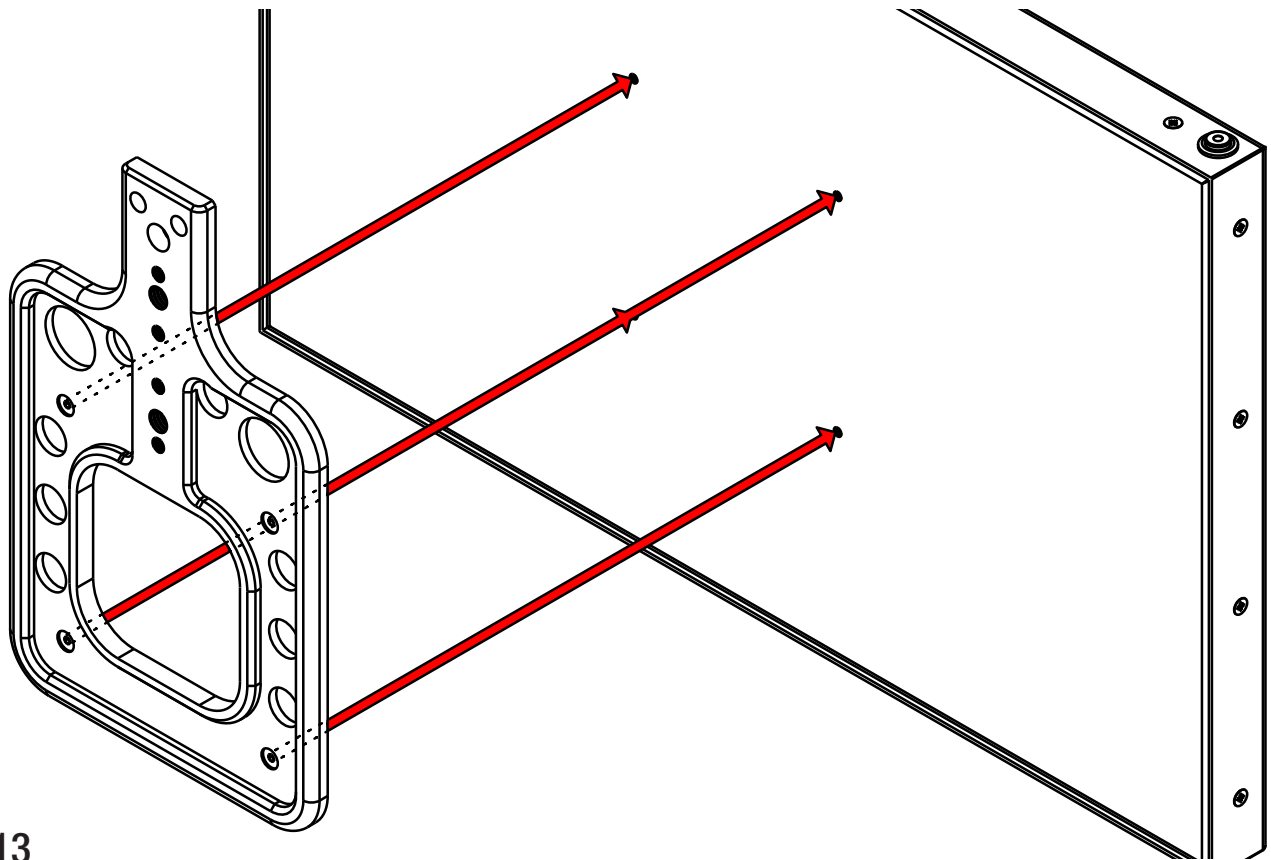
Step 22

The headless screws should be inserted to the threads as pictured below.



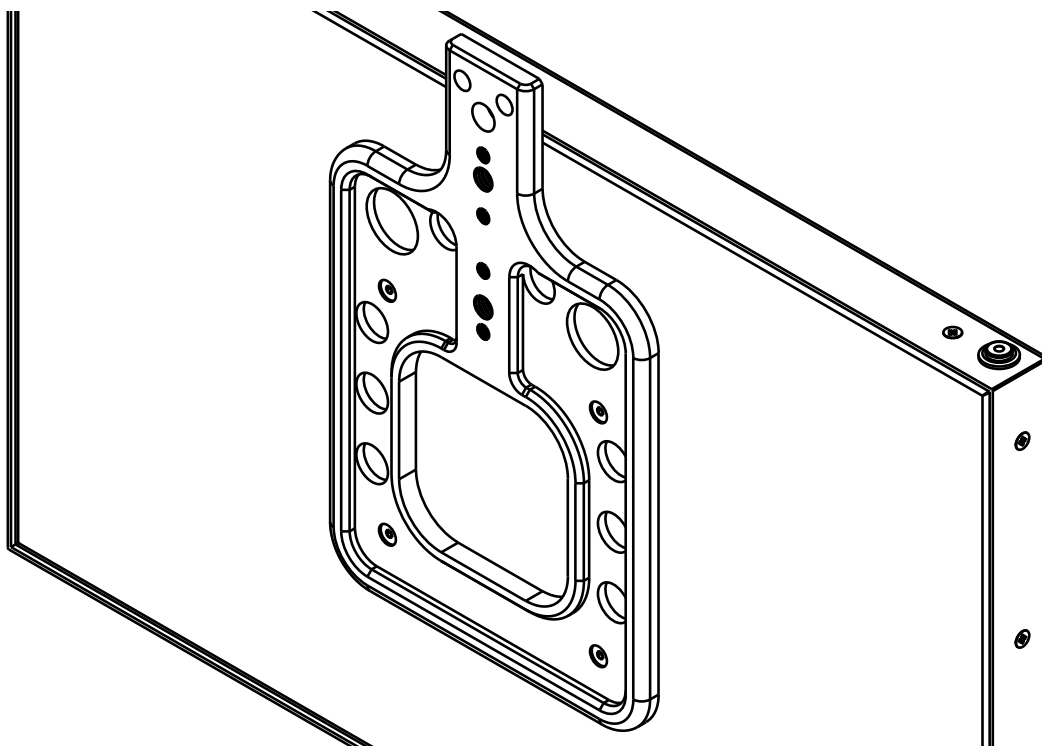
Step 12

Align the holes of the monitor to the VESA Adapter.



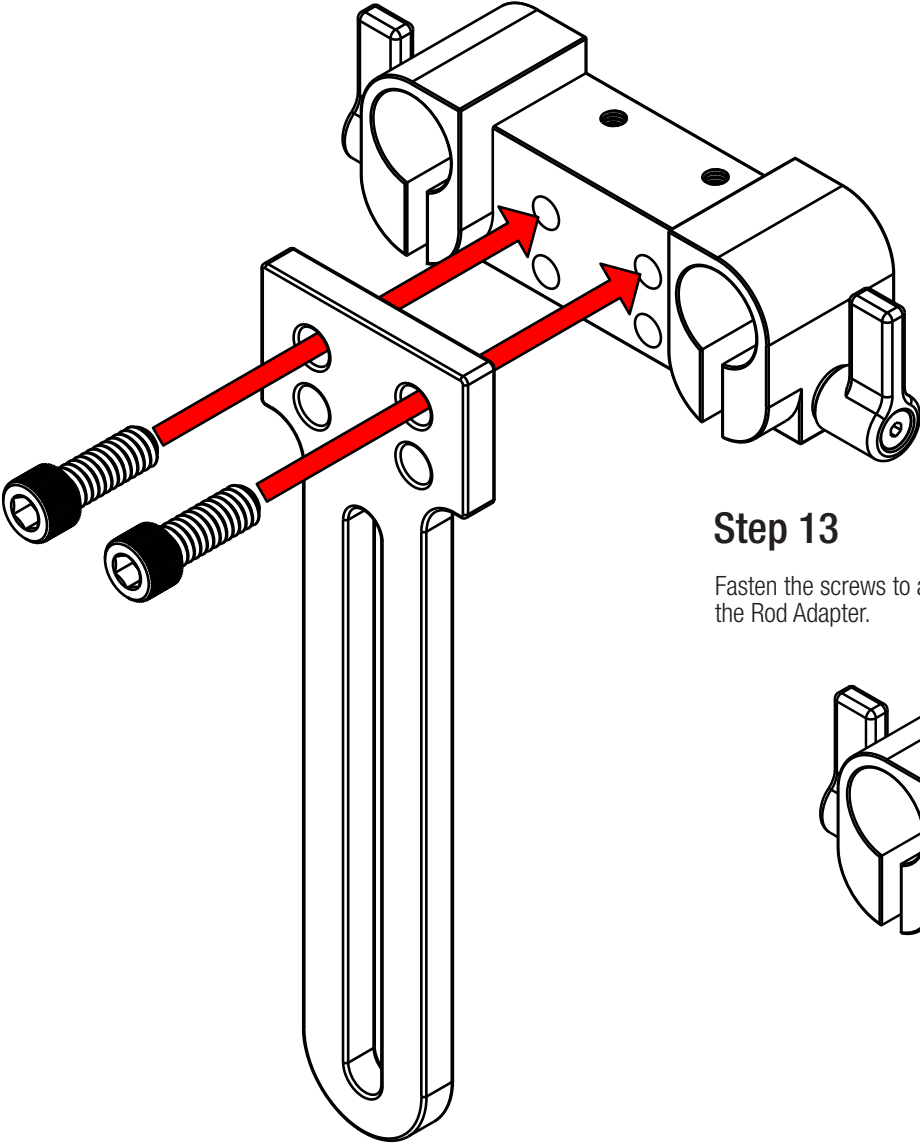
Step 13

Attach the VESA adapter to the monitor by fastening the screws to the monitor



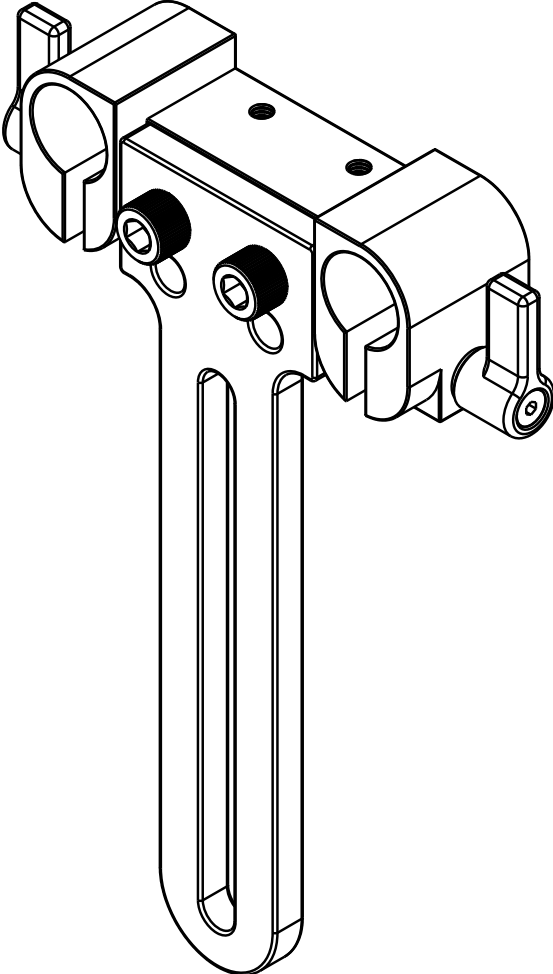
Step 12

Place the Height Adjustment Plate in the Rod Adapter and align the holes.



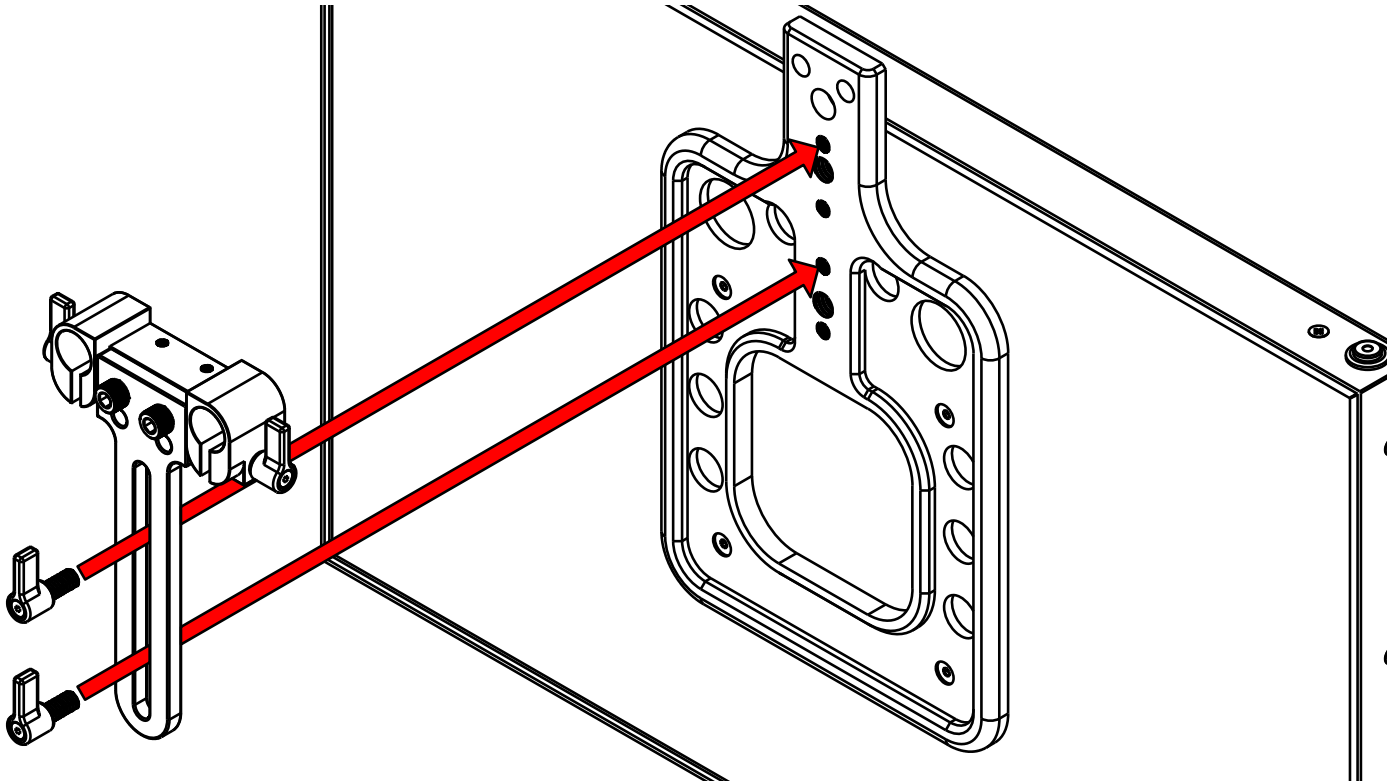
Step 13

Fasten the screws to attach the Height Adjustment Plate and the Rod Adapter.



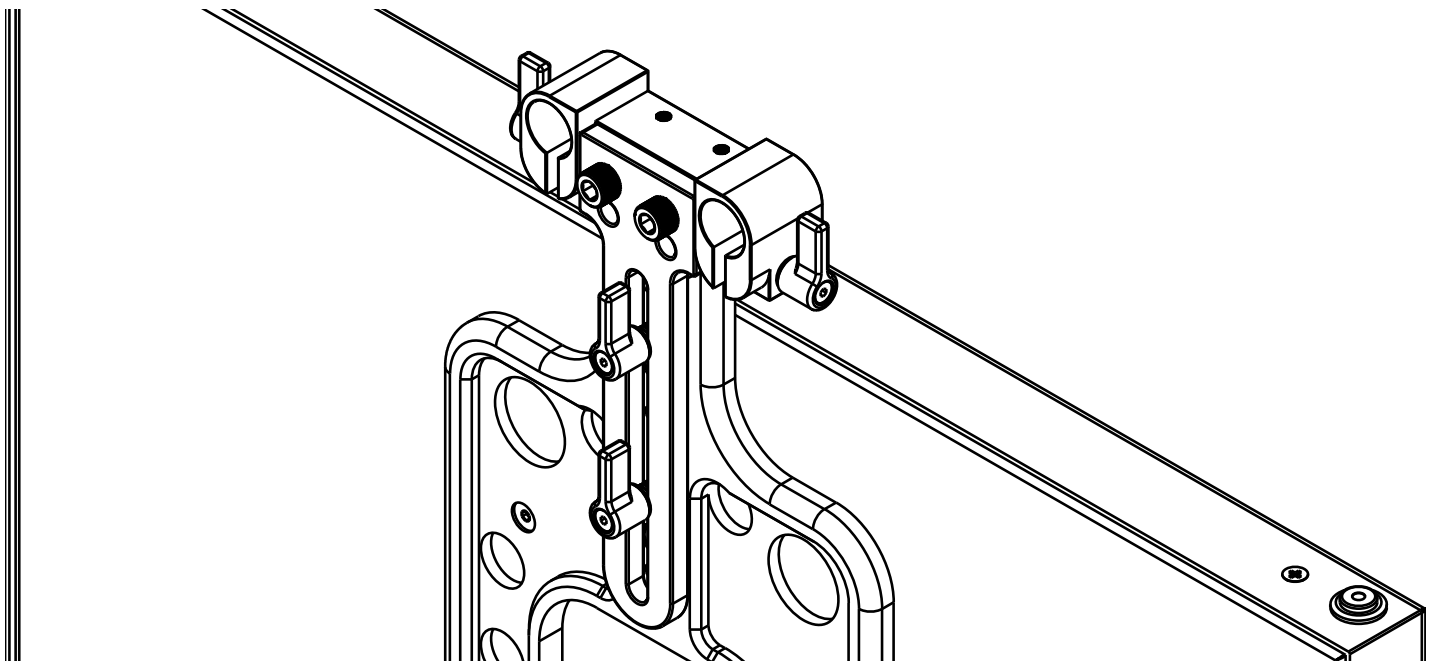
Step 12

Align the threads of the 1/4-20 thumb screw to the threads on the VESA Adapter.



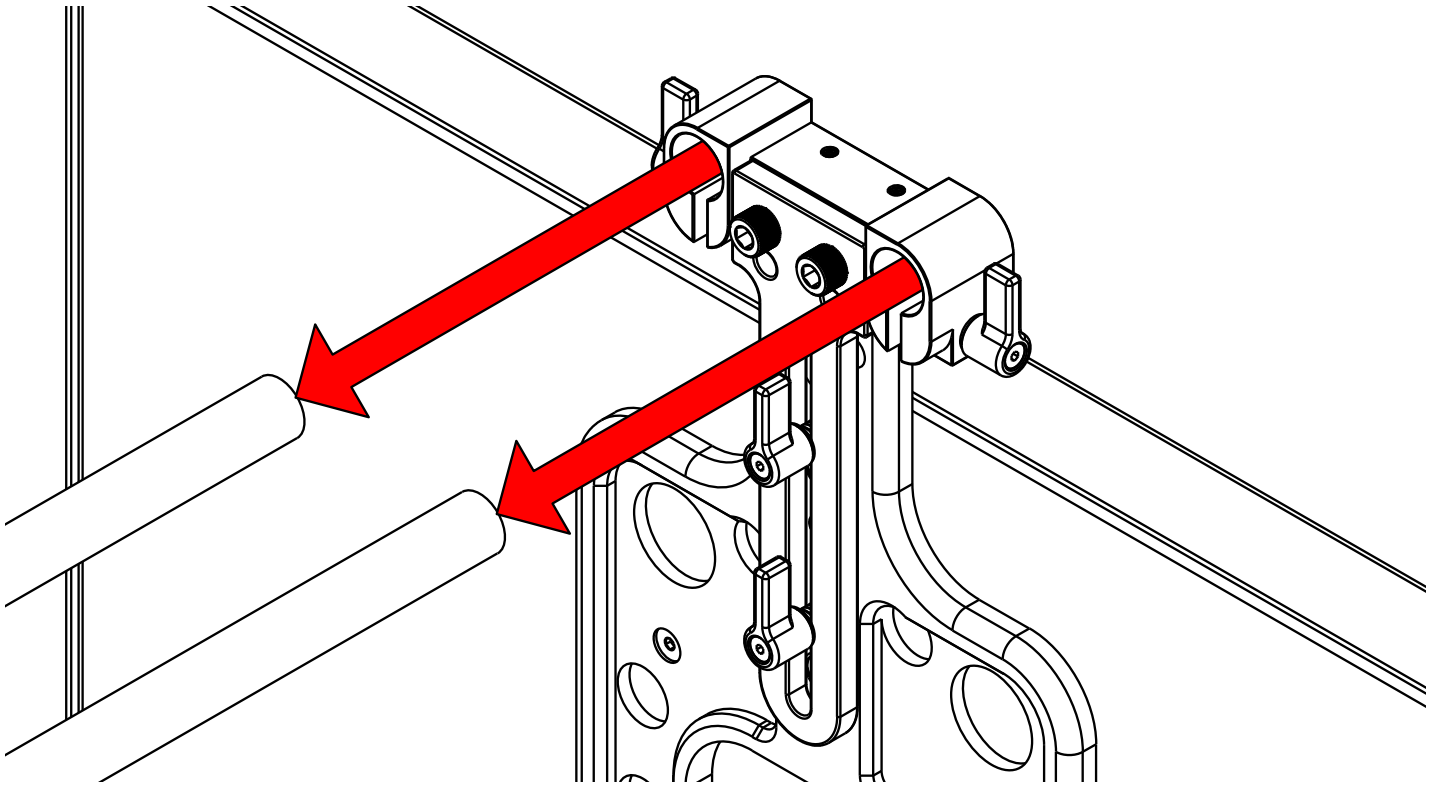
Step 13

Fasten the screws to secure the Talent Monitor to the Rod Adapter.



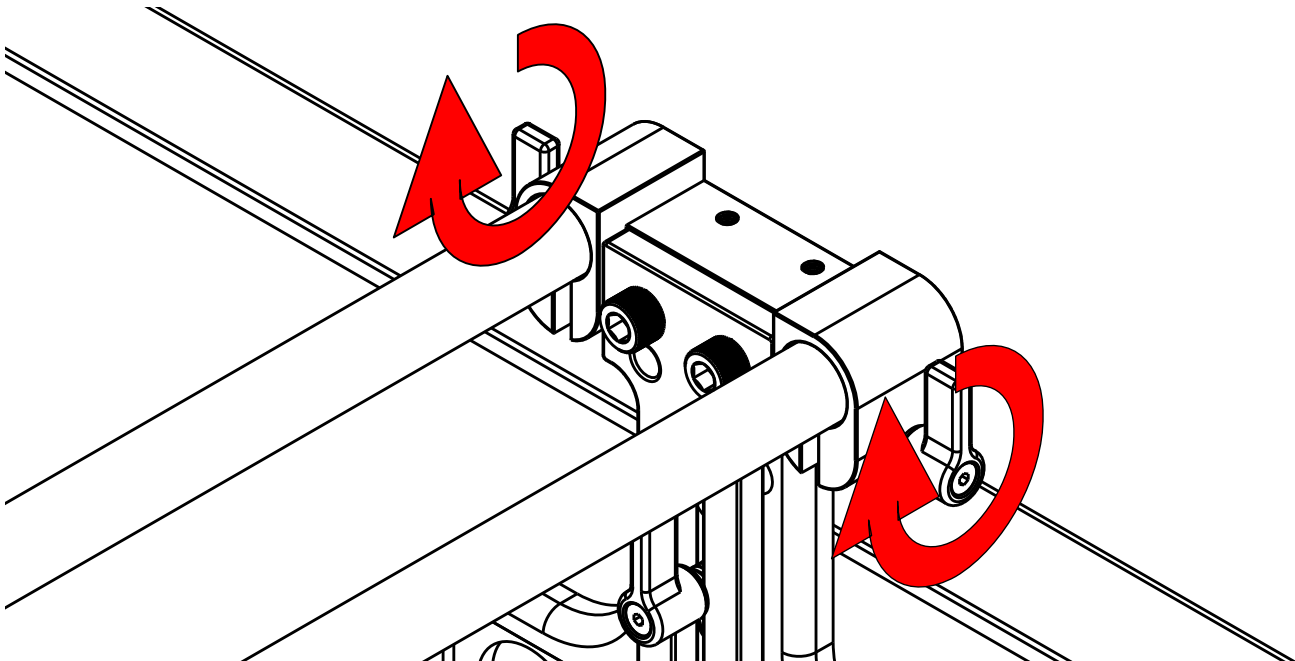
Step 12

Attach the Talent Monitor Mount to the Teleprompter system by inserting the Rod Adapter to the 15mm.

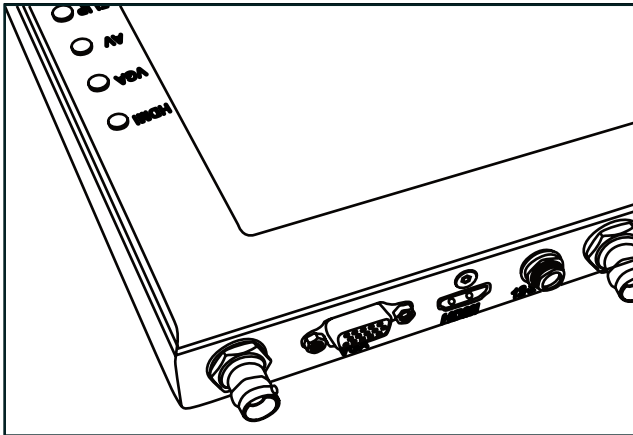


Step 13

Once the Talent Monitor Mount has been inserted to the 15mm rods, secure the Talent Monitor by fastening the thumb screws.



Monitor Ports



- BNC – 3G-SDI Input
- BNC – AV Composite Input
- VGA – Video Graphics Array DE15 Connection
- HDMI – High-Definition Multimedia Interface Input Connection
- Power Port – 12-24v Input

Monitor Menu Settings

Video Config

- Contrast (White Level)
- Brightness (Black Level)
- Tint (Chroma Hue)
- Chroma (Chroma Saturation)
- Sharpness (Detail)
- RGB Setup – Manually configure RGB
- Return

System Config

- Menu Duration – Set duration of how long menu stays on screen
- Video Ratio – Set screen aspect ratio 16:9 or 4:3 (4:3 is native resolution, 16:9 will create black bars)
- Flip-H – Assign toggle button to flip image horizontally
- Flip-V – Assign toggle button to flip image vertically
- Reset – Factory reset
- Return

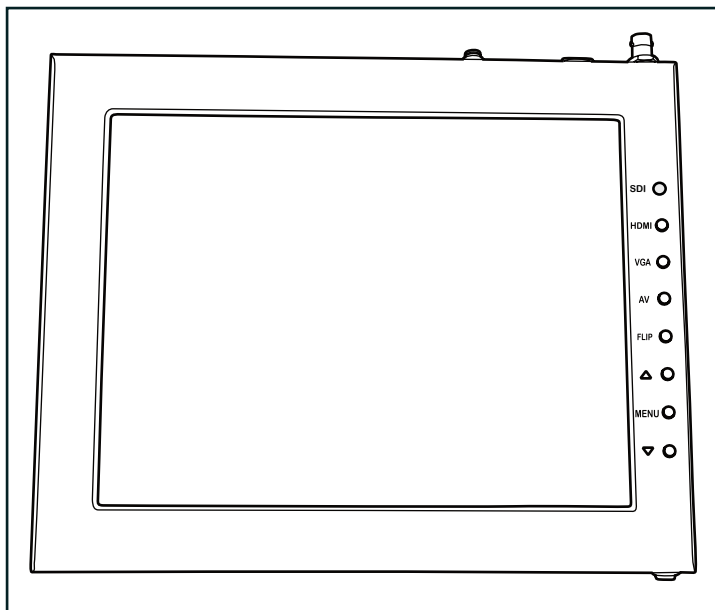
PC Setup (Only available for VGA)

- H-Position – Adjust horizontal position
- V-Position – Adjust vertical position
- Auto – Monitor automatically adjust position
- Return

Exit

How to set-up FLIP button feature:

1. Press MENU button
2. Navigate to SYSTEM CONFIG.
3. Navigate to FLIP-V or FLIP-H
4. Change FLIP-V and/or FLIP-H to "ON"
5. Exit MENU
6. The FLIP button should now be activated and can be pressed to mirror the image Horizontally or Vertically
7. When FLIP-H is ON, the image will flip Horizontally
8. When FLIP-V is ON, the image will flip Vertically
9. If both are ON, the FLIP button will toggle both Horizontal and Vertical flip



- SDI – Switch 3G-SDI input
- HDMI – Switch HDMI input
- VGA – Switch to VGA input
- AV – Switch to composite BNC input
- Flip – Toggle image flip
(Can be set to horizontal, vertical, or both via menu)
- Up Arrow – Toggle up to adjust setting
- Menu – Access to monitor settings
- Down Arrow – Toggle down to adjust setting

Pinout Diagram for Tally Light

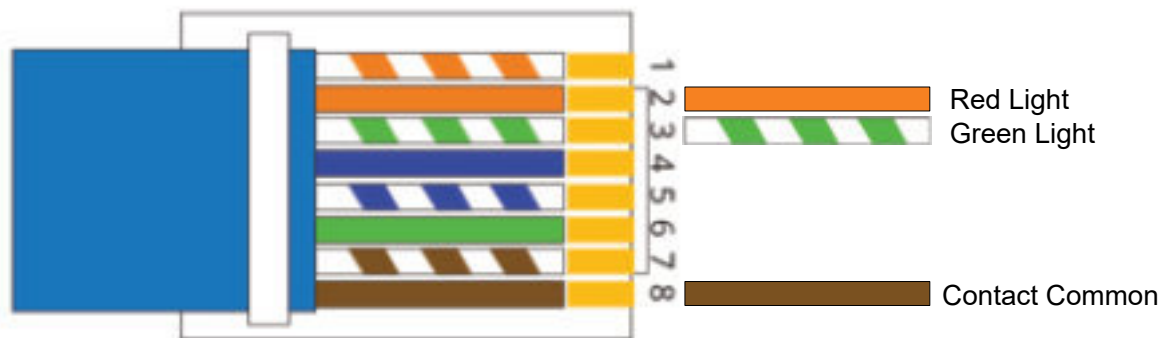
Tally Light Pinout:

GND: Connects to the ground of the device or system.

R: Connects the red tally light

G: Connects the green tally light

Tally Pin Layout Diagram



Learn More

More dynamic information at official website :www.ikancorp.com

Support

Contact email: support@ikancorp.com

Watch our VIDEO TUTORIAL on how to assemble PT415 Teleprompters:

<https://ikancorp.com/pt4900-v2-tutorial-videos/>



Optional Accessories

- PT4U-G** Replacement Glass for PT415
- M15W** 15" Talent Monitor Add On Kit for PT415
- PT-PEDAL** Teleprompter Foot Control Pedal
- PT-CONTROLLER** Teleprompter Rotary Controller
- PT-CASE-4U** Rolling Hard Case for PT415 Teleprompter



Foam Case

To make your teleprompter more portable, we packed it in a reusable, high-quality foam. The shape and size of the foam was designed to fit into Ikan's PT-CASE-4U



****DO NOT THROW AWAY FOAM ****

Learn More

More dynamic information at official website: www.ikancorp.com

Support

Contact email: support@ikancorp.com

CONDITIONS OF WARRANTY SERVICE

- Free service for one year from the day of purchase if the problem is caused by manufacturing errors.
- The components and maintenance service fee will be charged if the warranty period is expired.

Free Service will not be Provided in the Following Situations:(*Even if the product is still within the warranty period.)

- Damage caused by abuse or misuse, dismantling, or changes to the product not made by the company.
- Damage caused by natural disaster, abnormal voltage, and environmental factors, etc.

©2025 Ikan International. All rights reserved.