

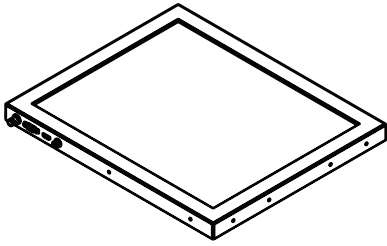
Professional 19" High-Bright PTZ-Compatible SDI Teleprompter



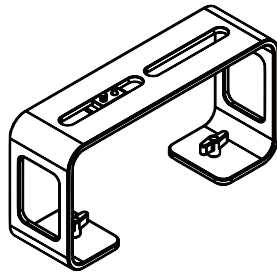
OVERVIEW

Ikan's professional teleprompter series is designed for a quick and easy setup to work efficiently in studio or broadcast applications. The included teleprompter hood fully encloses the PTZ camera allowing it to move freely inside the hood. The teleprompter features a 65/35 reflective glass that makes the reflection easier to see for the presenter. The lightweight aluminum teleprompter has multiple 1/4-20" and 3/8-16" threads for mounting to a tripod or pedestal. The monitor includes SDI, HDMI, Composite, and VGA video inputs. Its high bright screen ensures clear visibility in any lighting condition. An intuitive image flip button allows for easy adjustment of the display orientation. The monitor also features a wide viewing angle.

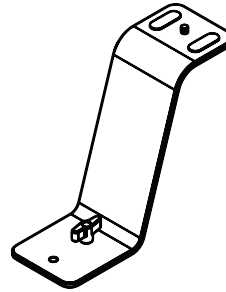
What's Included



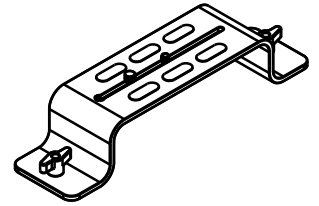
Monitor



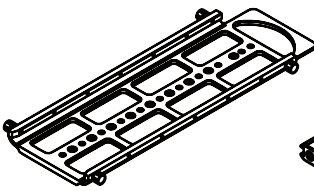
Tall Riser



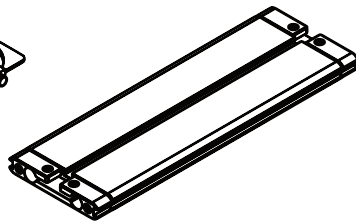
DSLR/Mirrorless Riser



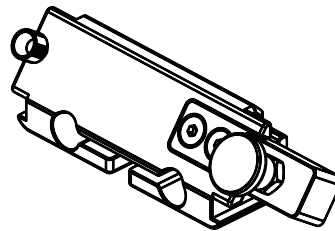
Short Riser



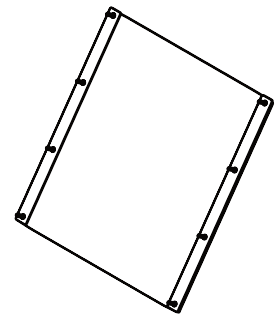
Sled



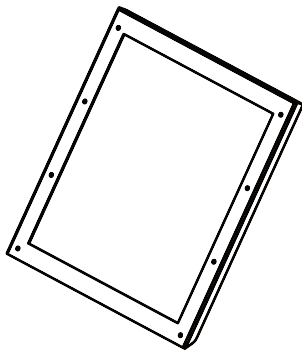
Base



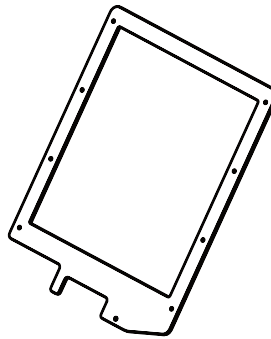
Glass Frame Holder Bracket
w/ Rod Clamps



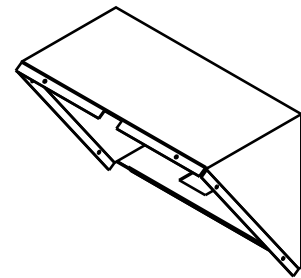
Glass



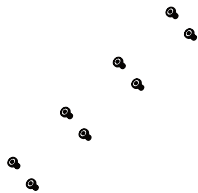
Hood Attachment Frame



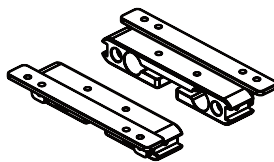
Glass Holder



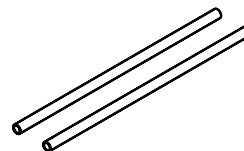
Standard Hood



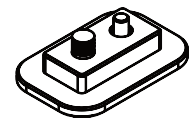
Glass Frame Screws



15mm Rod Clamps

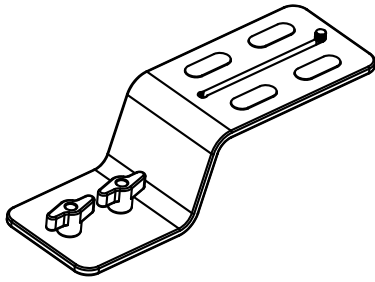


15mm Rods

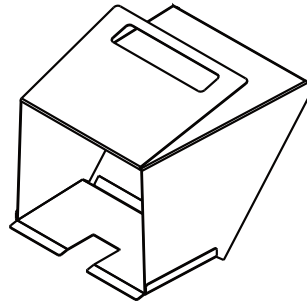


Large Riser
Bracket

What's Included



PTZ Camera Riser

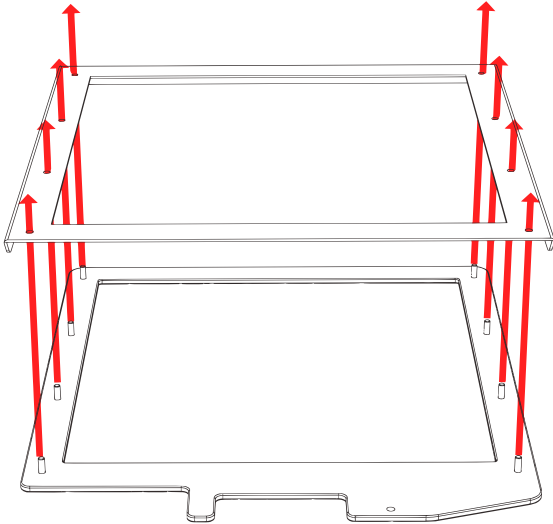


PTZ Hood

Teleprompter Assembly Setup

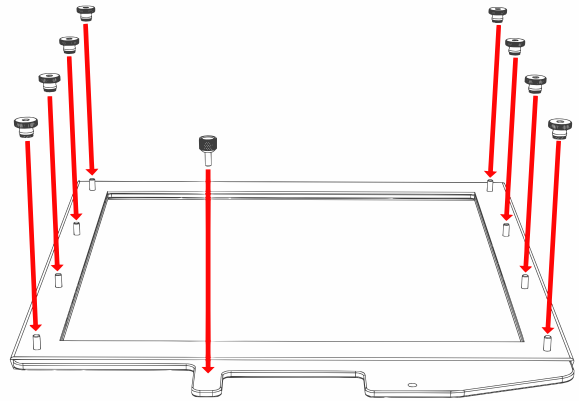
Step 1

Place the Hood Attachment Frame over the Glass Holder. Then place the glass against the Glass Holder. Make sure the screws pass through the holes on the both the Hood Attachment Frame and the Glass Holder.



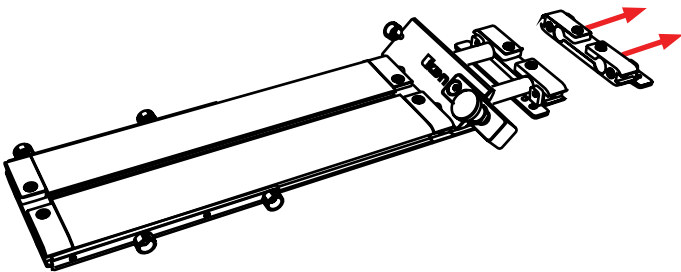
Step 2

Secure the Glass Holder by fastening the knurled nuts to the screws as pictured below.



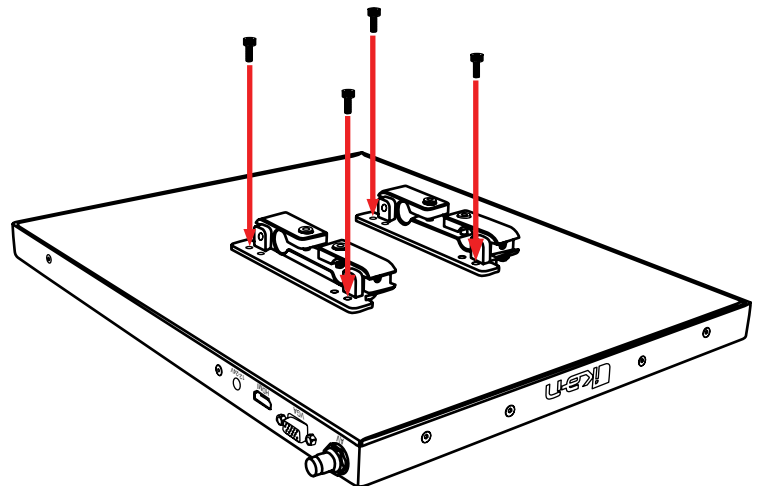
Step 3

Remove the monitor mounts from the teleprompter base using the included larger 4mm hex key to loosen from the 15mm rods.



Step 4

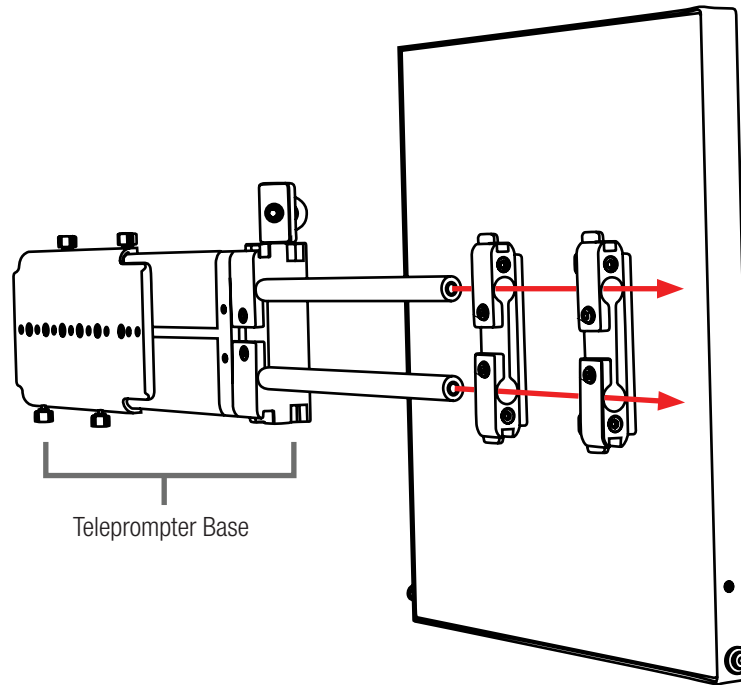
Put the washers on before tightening the screws. The washers and 4 additional screws are inside a bag on the bottom foam.



Step 5

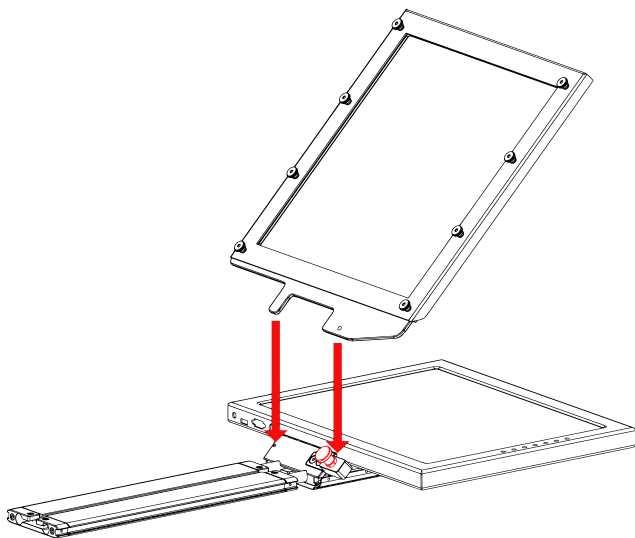
After the monitor mounts are attached, adjust the 15mm rods to accommodate the monitor. Leave about 1 inch of room for the teleprompter bracket. Make sure the 15mm rods go through both set of monitor mounts. Please ensure that all screws are properly tightened after inserting the monitor.

SAFETY NOTE Make sure to leave at least 2 inches of the rods inside the teleprompter base.



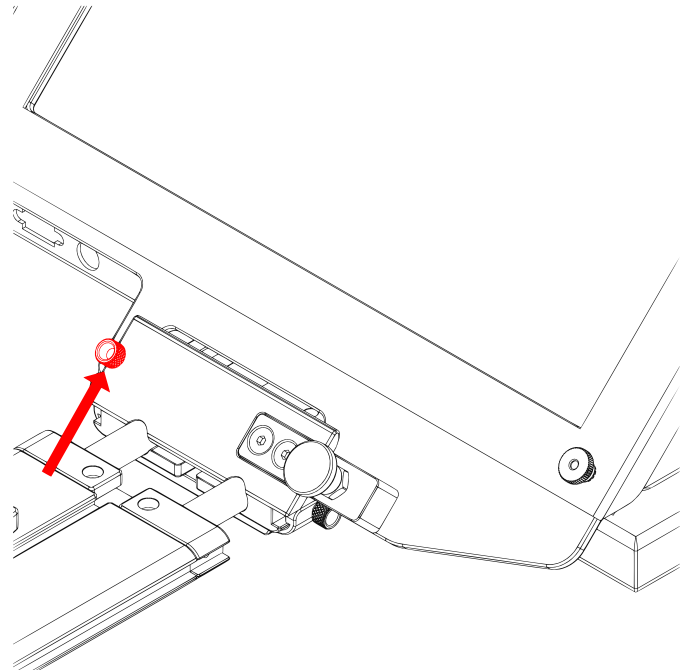
Step 6

While sliding the teleprompter bracket into the slot of the Glass Frame Holder Bracket, pull on the red knob to allow the bracket to fully slide in.



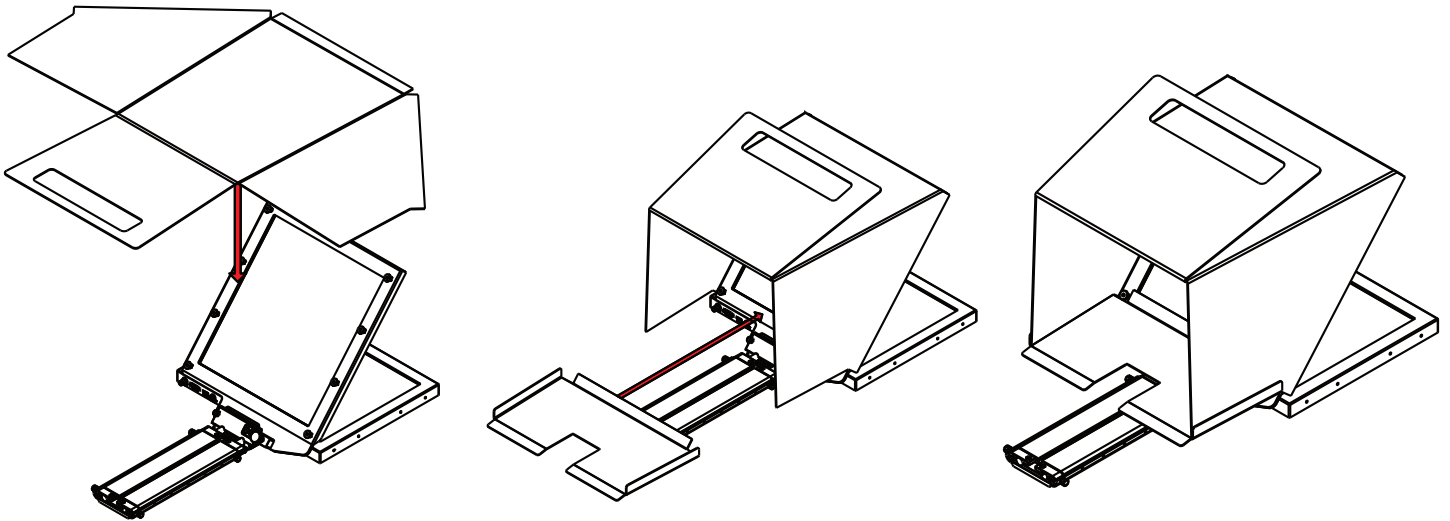
Step 7

Once the bracket is in place, tighten the side screw to lock in place. Double check and make sure all the screws are tightened with the included hex keys.



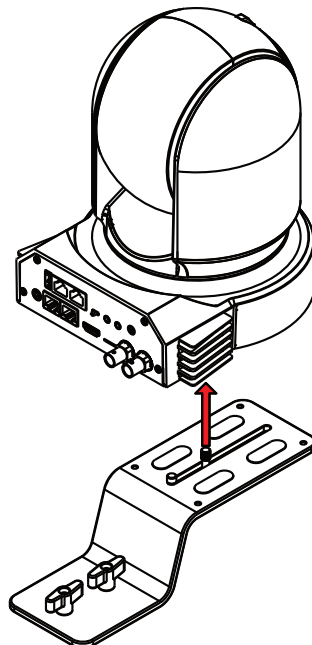
Step 8

Fold the flaps of the Hood alongside the edges of the Hood Attachment Frame. The flaps of the Hood are magnetic so they will automatically attach. Connect the bottom part of the hood by attaching the magnetic flap to glass frame holder. Connect the Velcro straps to the sides of the hood.



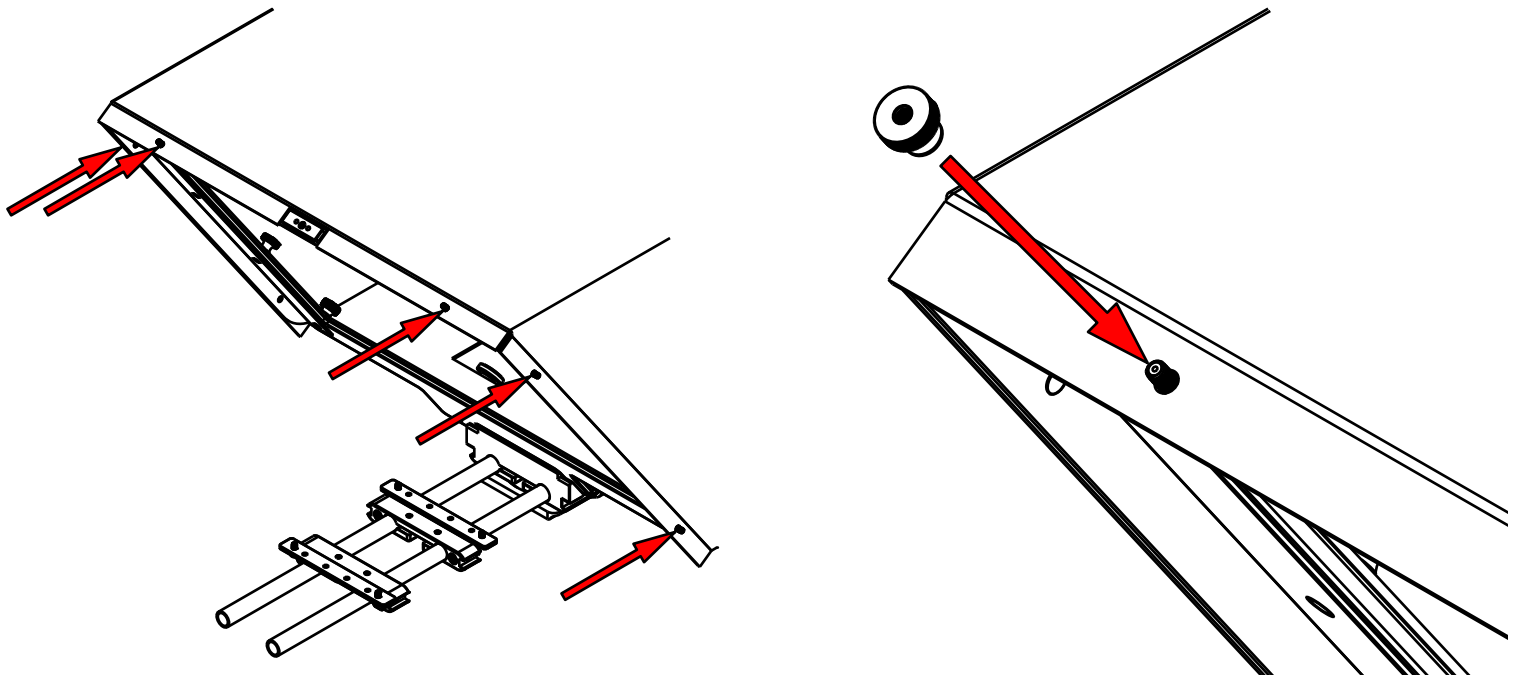
Step 9: Connecting the PTZ Riser to PTZ Cameras

Connect the PTZ Camera Riser to the PTZ camera plate first, by aligning the screw threads of the camera to the 1/4-20 screw from the riser plate. Once the plate has been aligned, fasten the 1/4-20 screw on the PTZ Riser Plate to the thread on the bottom of the PTZ camera.



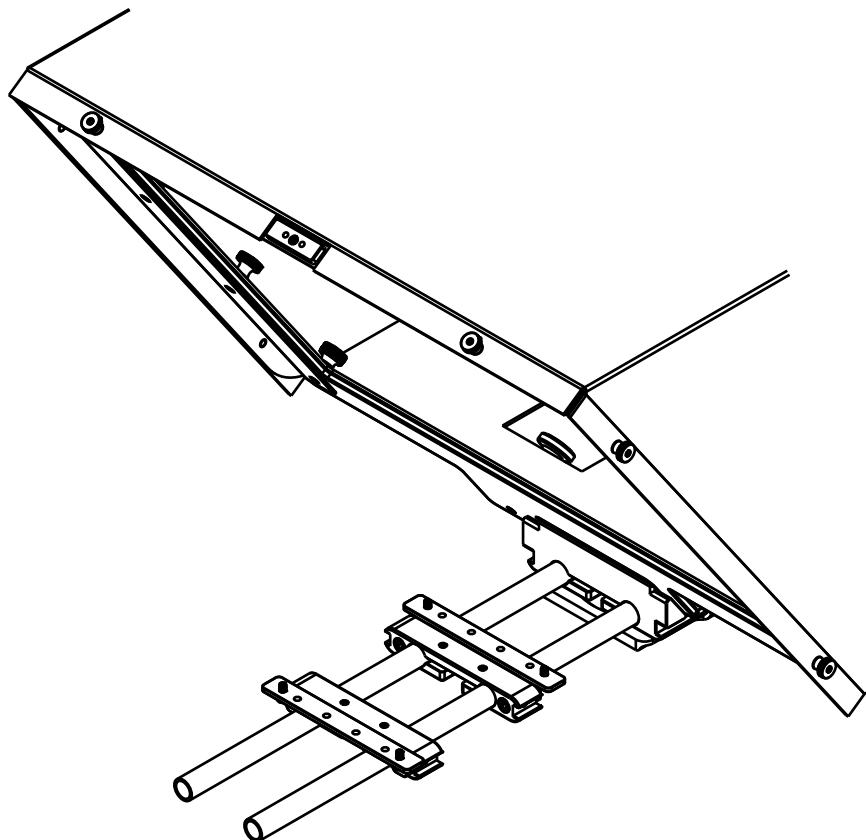
Step 10

Locate the threaded clinch studs on the Hood Attachment Frame and fasten the included nuts to the clinch studs.



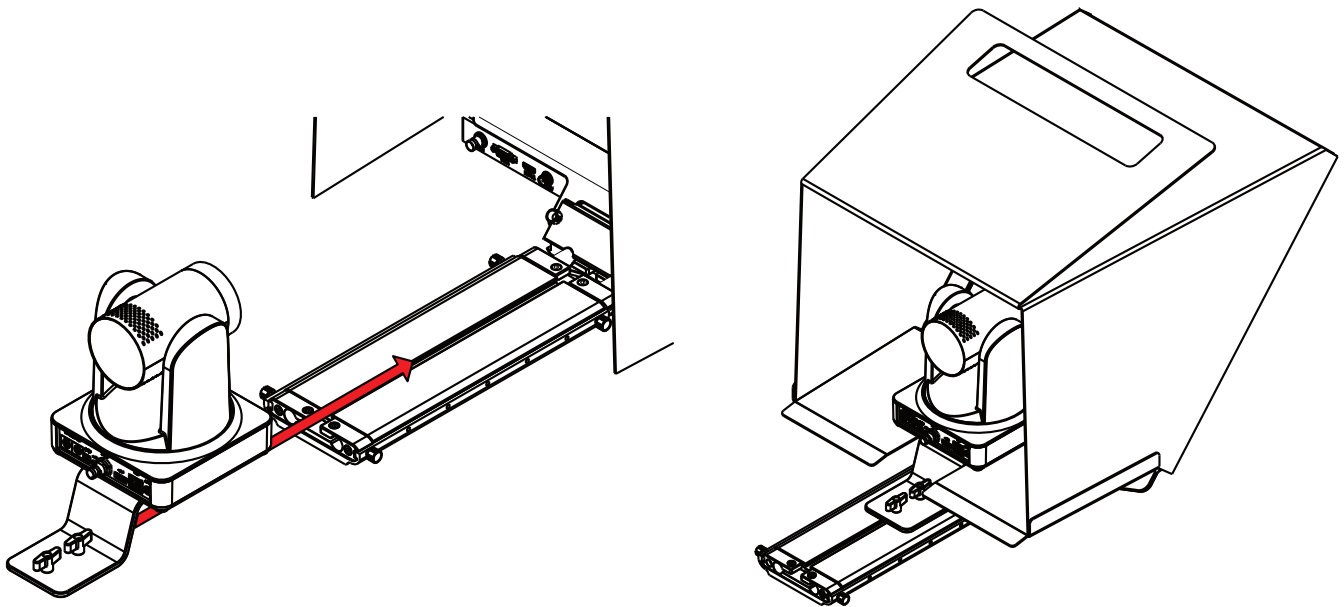
Step 11

Fasten all six of the nuts to the threads on the hood frame to secure the hood to the teleprompter.



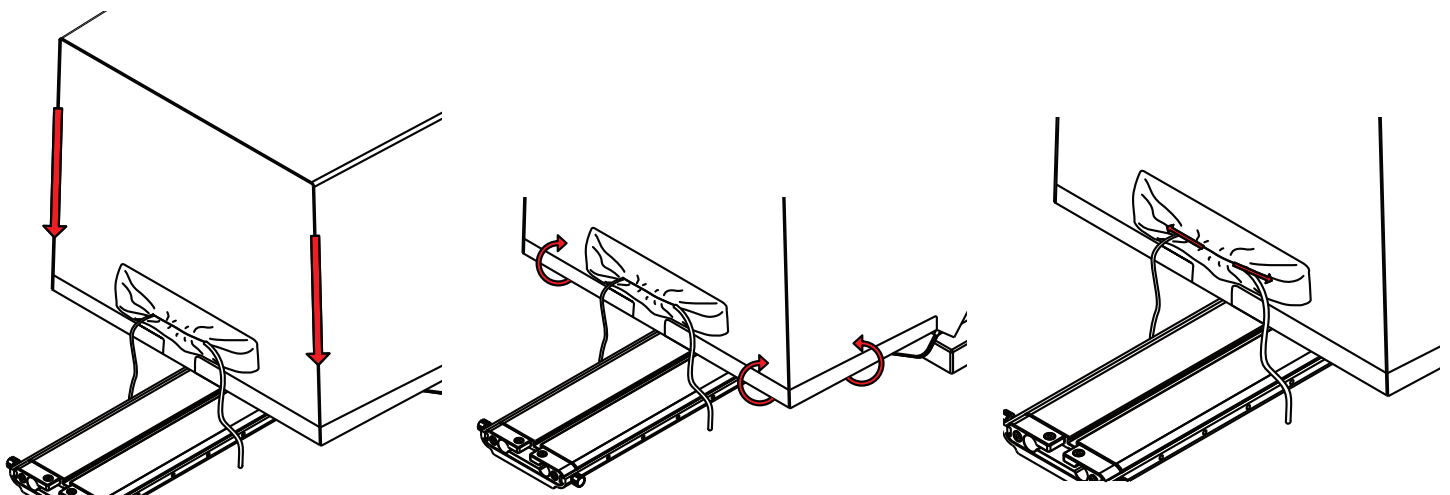
Step 10

Set the PTZ camera inside the hood by aligning the screws on the riser plate to the slot on the Base. Once the screws are aligned, Slide the riser plate into the Base.



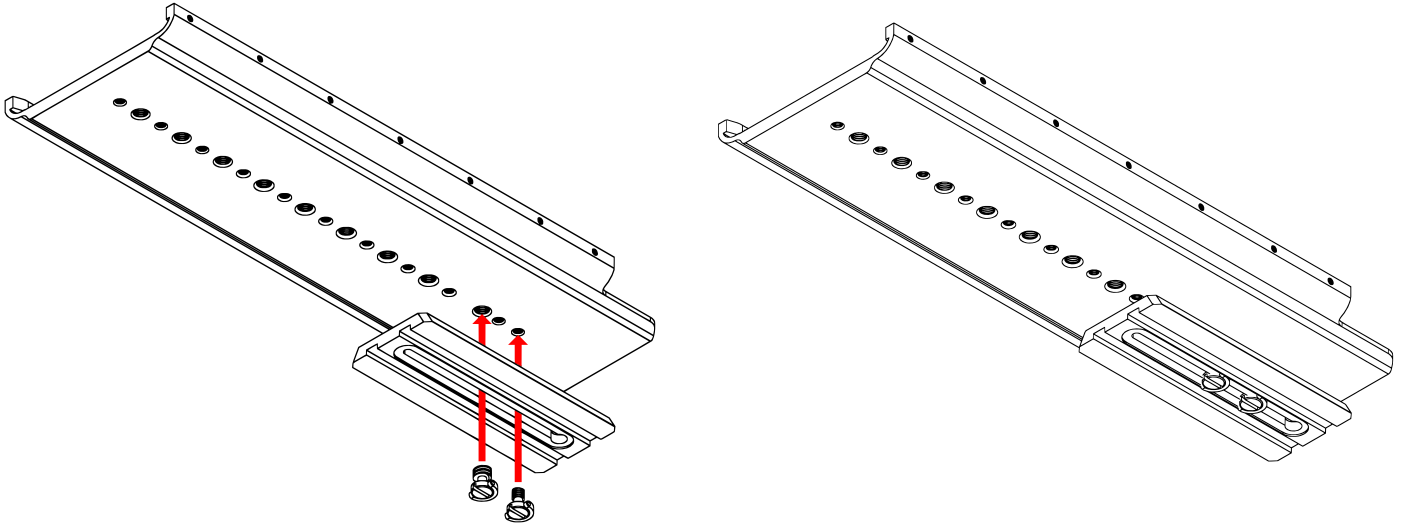
Step 11

To prevent light from leaking through the hood, seal both zippers down, attach the Velcro straps along the back and sides of the hood. Connect the cables to the back of your PTZ camera by putting them through the slot on the back of the PTZ Hood. Once your cables are connected, tighten the draw string on the back of the PTZ Hood.



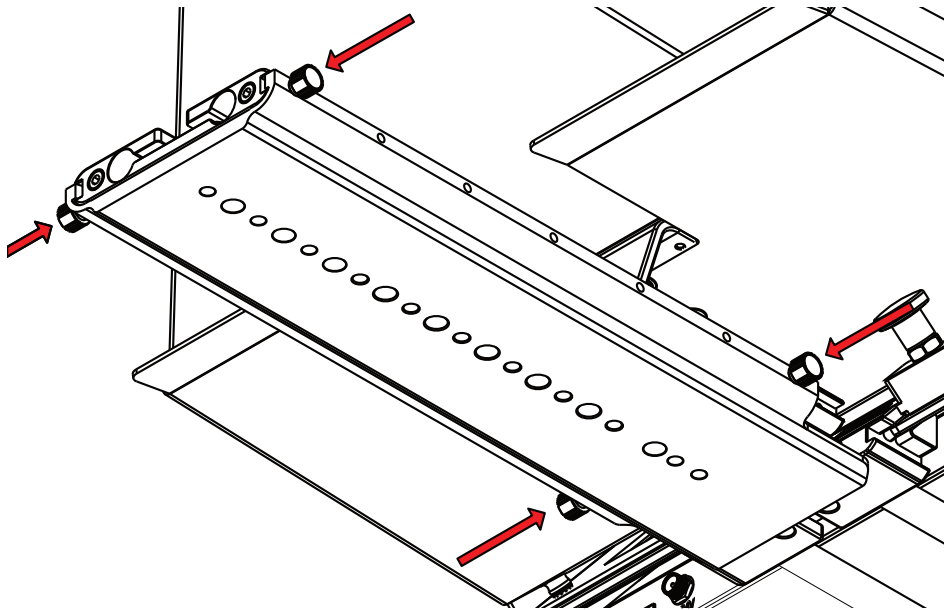
Step 12

Mount your own tripod plate to the bottom plate by aligning the 1/4-20 and/or 3/8-16 screws and fastening them to the Bottom Plate. It is recommended that you connect your tripod plate to front of the Bottom Plate so that you can balance your teleprompter easier. Once your tripod plate is connected to the Bottom Plate, mount the tripod plate to your tripod head.



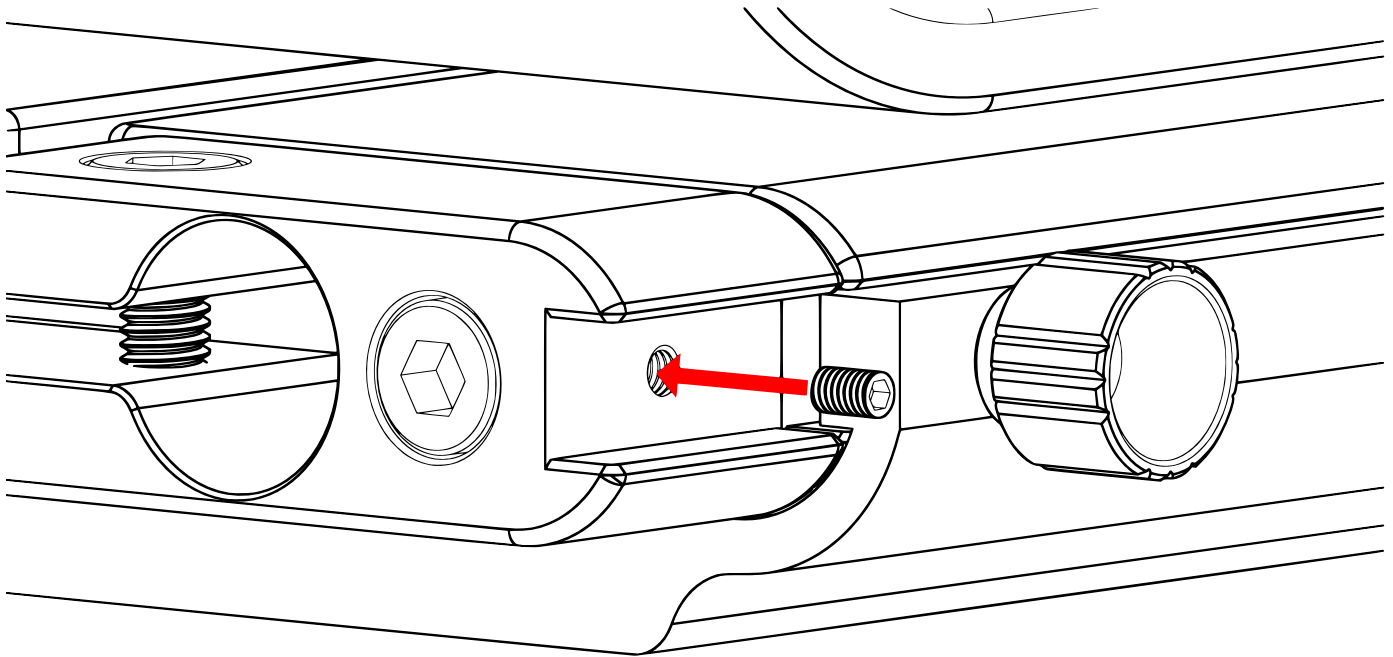
Step 13

In order to properly balance the teleprompter, loosen the 4 screws on the bottom plate and slide the entire teleprompter system back or forward until the center of gravity has been determined. Once the center of gravity has been determined, tighten the thumb screws to keep the base from sliding.



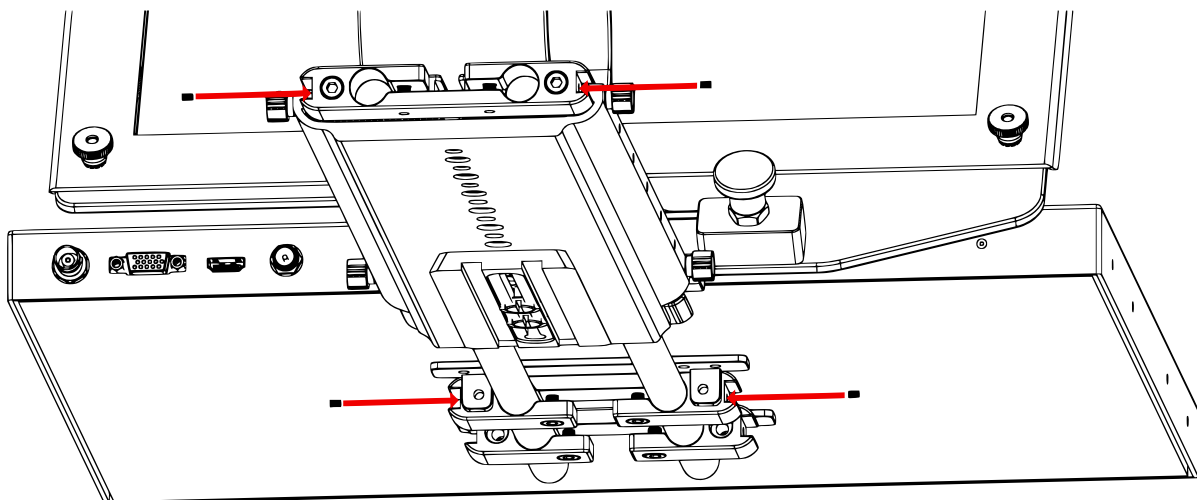
Step 14

To secure your teleprompter system, insert the included headless screws into the threads behind and in front of the Base.

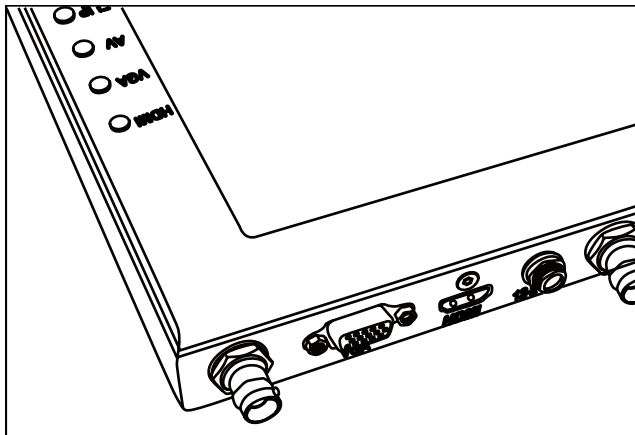


Step 15

The headless screws should be inserted to the threads as pictured below.



Monitor Ports



- BNC – 3G-SDI Input
- BNC – AV Composite Input
- VGA – Video Graphics Array DE15 Connection
- HDMI – High-Definition Multimedia Interface Input Connection
- Power Port – 12-24v Input

Monitor Menu Settings

Video Config

- Contrast (White Level)
- Brightness (Black Level)
- Tint (Chroma Hue)
- Chroma (Chroma Saturation)
- Sharpness (Detail)
- RGB Setup – Manually configure RGB
- Return

System Config

- Menu Duration – Set duration of how long menu stays on screen
- Video Ratio – Set screen aspect ratio 16:9 or 4:3 (4:3 is native resolution, 16:9 will create black bars)
- Flip-H – Assign toggle button to flip image horizontally
- Flip-V – Assign toggle button to flip image vertically
- Reset – Factory reset
- Return

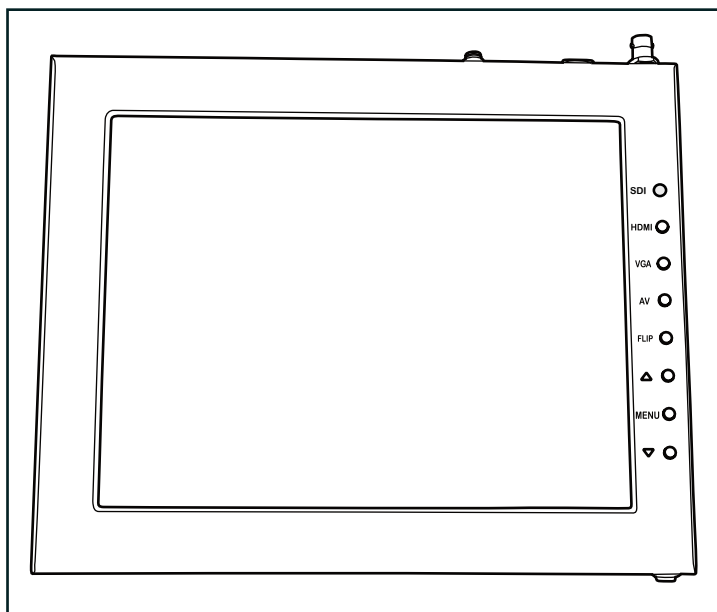
PC Setup (Only available for VGA)

- H-Position – Adjust horizontal position
- V-Position – Adjust vertical position
- Auto – Monitor automatically adjust position
- Return

Exit

How to set-up FLIP button feature:

1. Press MENU button
2. Navigate to SYSTEM CONFIG.
3. Navigate to FLIP-V or FLIP-H
4. Change FLIP-V and/or FLIP-H to "ON"
5. Exit MENU
6. The FLIP button should now be activated and can be pressed to mirror the image Horizontally or Vertically
7. When FLIP-H is ON, the image will flip Horizontally
8. When FLIP-V is ON, the image will flip Vertically
9. If both are ON, the FLIP button will toggle both Horizontal and Vertical flip



- SDI – Switch 3G-SDI input
- HDMI – Switch HDMI input
- VGA – Switch to VGA input
- AV – Switch to composite BNC input
- Flip – Toggle image flip
(Can be set to horizontal, vertical, or both via menu)
- Up Arrow – Toggle up to adjust setting
- Menu – Access to monitor settings
- Down Arrow – Toggle down to adjust setting



Pinout Diagram for Tally Light

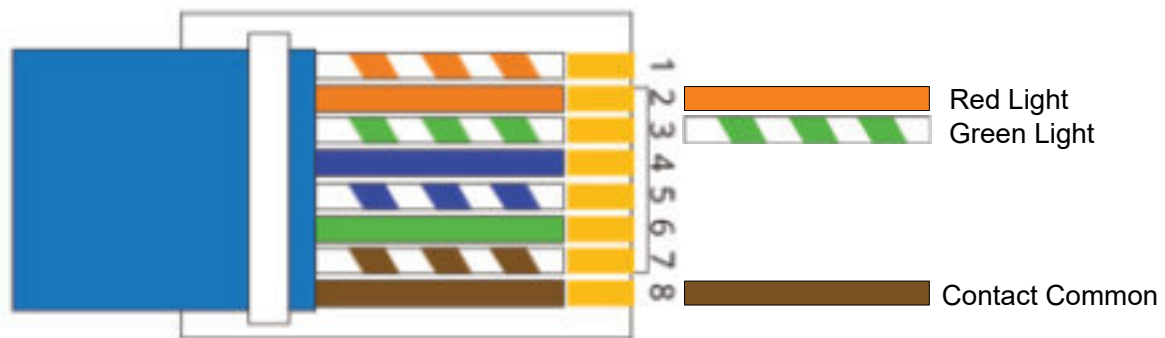
Tally Light Pinout:

GND: Connects to the ground of the device or system.

R: Connects the red tally light

G: Connects the green tally light

Tally Pin Layout Diagram



Learn More

More dynamic information at official website :www.ikancorp.com

Support

Contact email: support@ikancorp.com

Watch our VIDEO TUTORIAL on how to assemble PT415-PTZ Teleprompters:

<https://ikancorp.com/pt4900-PTZ-v2-tutorial-videos/>



Optional Accessories

PT4U-G	Replacement Glass for PT415
M15W	15" Talent Monitor Add On Kit for PT415
PT-PEDAL	Teleprompter Foot Control Pedal
PT-CONTROLLER	Teleprompter Rotary Controller
PT-CASE-4U	Rolling Hard Case for PT415 Teleprompter



Foam Case

To make your teleprompter more portable, we packed it in a reusable, high-quality foam. The shape and size of the foam was designed to fit into Ikan's PT-CASE-4U.



**** DO NOT THROW AWAY FOAM ****

Learn More

More dynamic information at official website: www.ikancorp.com

Support

Contact email: support@ikancorp.com

CONDITIONS OF WARRANTY SERVICE

- Free service for one year from the day of purchase if the problem is caused by manufacturing errors.
- The components and maintenance service fee will be charged if the warranty period is expired.

Free Service will not be Provided in the Following Situations:(*Even if the product is still within the warranty period.)

- Damage caused by abuse or misuse, dismantling, or changes to the product not made by the company.
- Damage caused by natural disaster, abnormal voltage, and environmental factors, etc.

©2025 Ikan International. All rights reserved.

