

PT-ELITE-PRO

QUICKSTART GUIDE

Elite Universal Large Tablet, Surface Pro, & iPad Pro Teleprompter



What's Included

- 1 x Glass Assembly
- 1 x Magnetic Hood
- 2 x 12-Inch Rods
- 1 x Baseplate Assembly
- 1 x Large Tablet Holder
- 1 x Large Tablet Holder Extension Mount & D-Ring

ikan

www.ikancorp.com

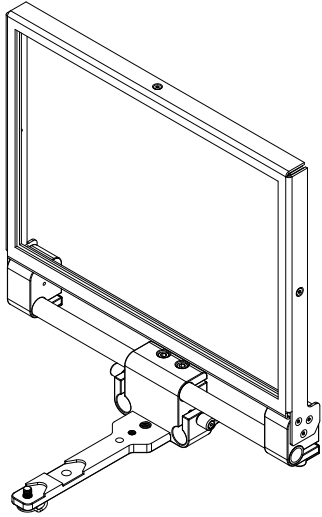
support@ikancorp.com

713.272.8822

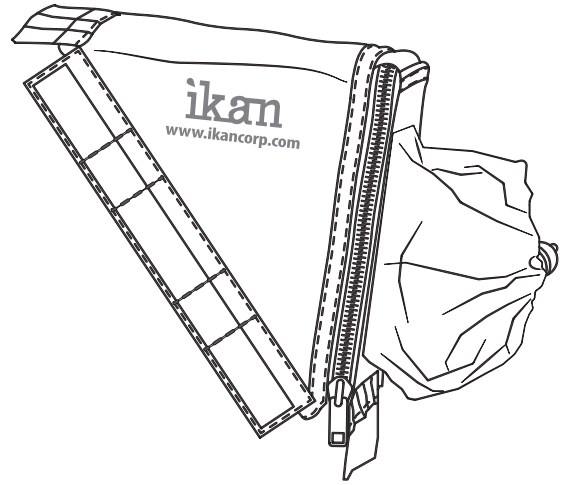
© 2016 ikan Corporation. All rights Reserved

PT-ELITE-PRO

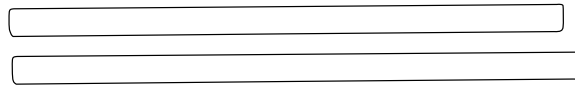
What's Included



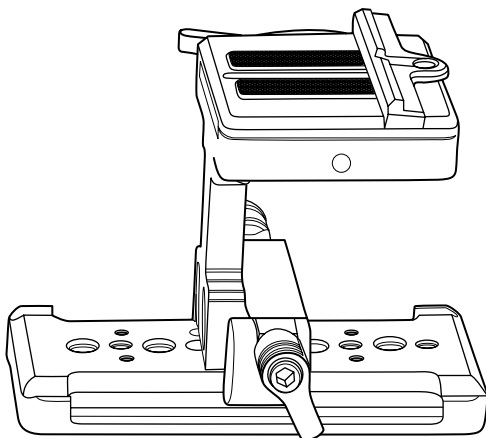
Glass Frame Assembly



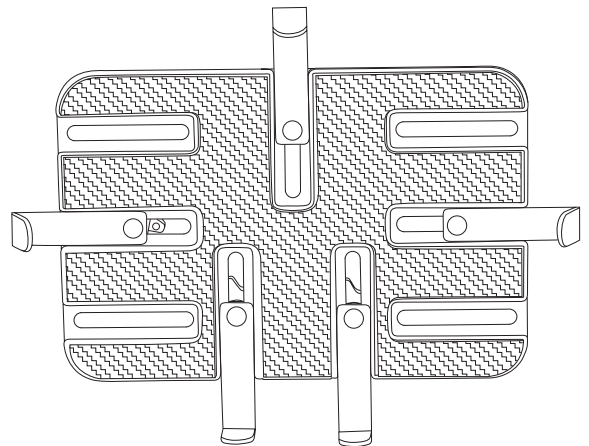
Magnetic Sun hood



2 x 12-Inch Rods



Baseplate Assembly

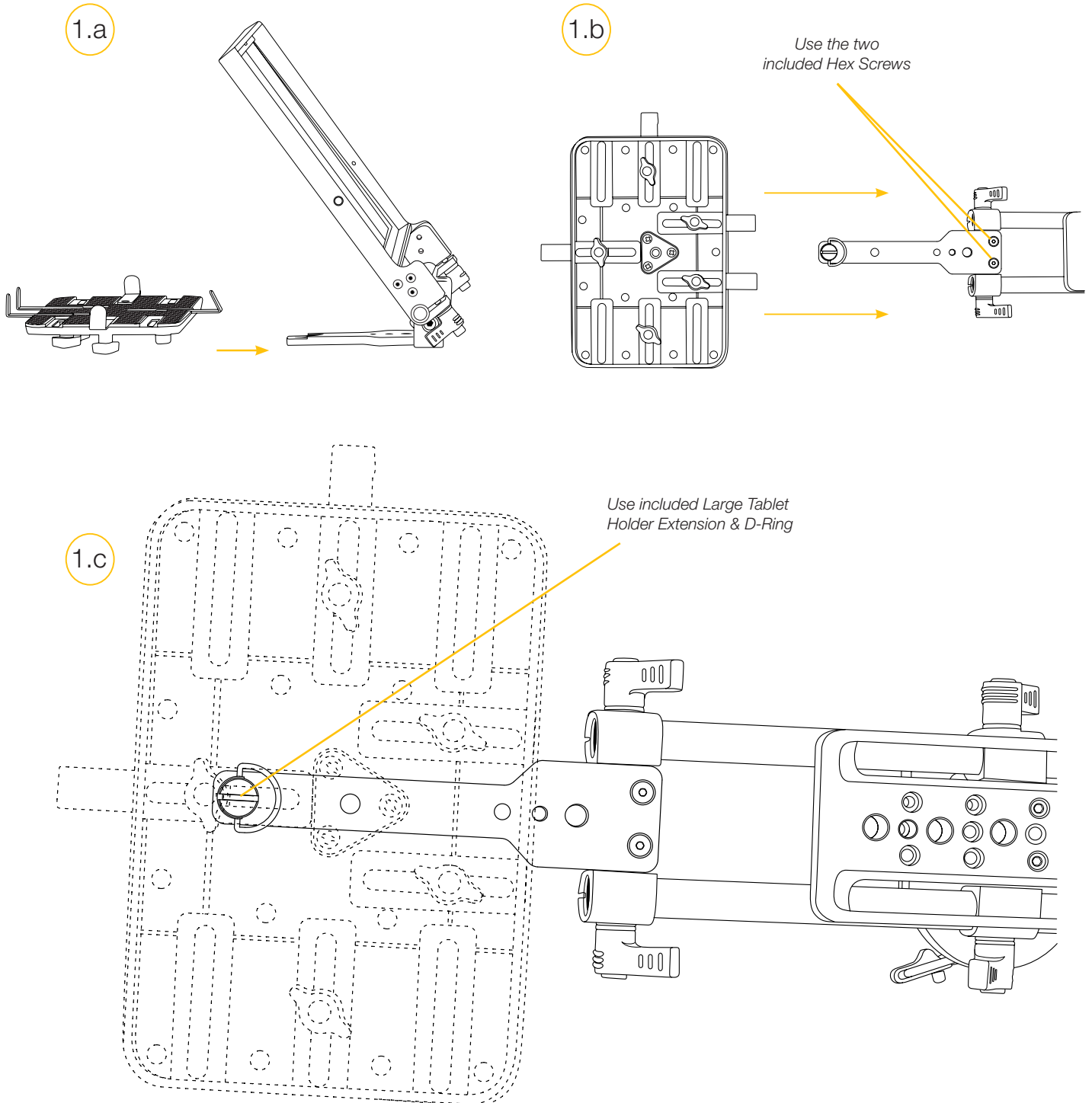


Tablet Holder

PT-ELITE-PRO

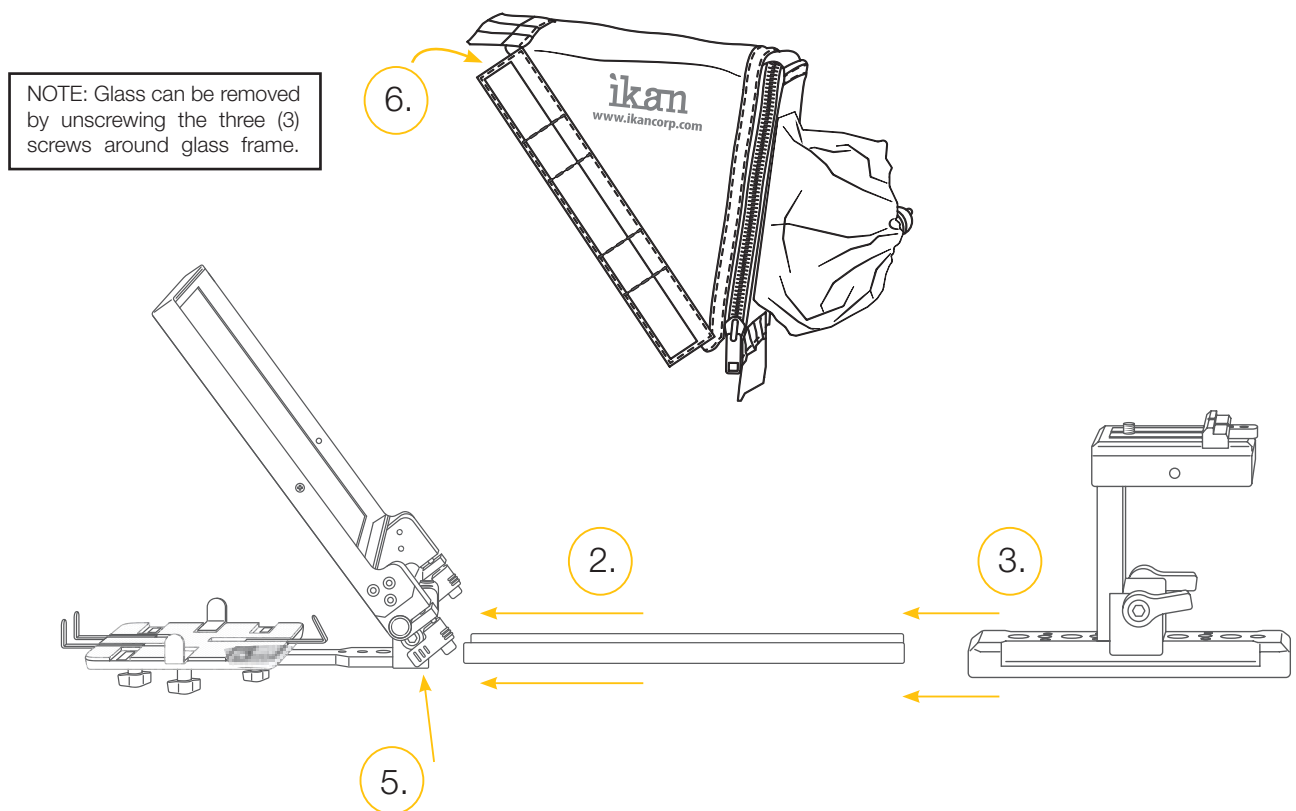
How to Assemble

1. Attach tablet mount to glass frame assembly. **Figures 1a, 1b, 1c.**



PT-ELITE-PRO

2. Insert rods into rail mount on glass frame assembly.
3. Slide baseplate onto rods.
4. Adjust spacing for your camera.
5. Tighten & loosen thumb screws to adjust glass frame. *Ideal angle is 45 degrees.*



6. Attach magnetic hood to glass frame.
7. Remove quick release plate & attach your camera. Reattach.

DO NOT THROW AWAY FOAM INSERT.

8. The PT-ELITE-PRO comes packaged in high quality custom-cut foam. It is sized perfectly to fit inside an SKB-i Series 1914-8 waterproof case.

Software Options

Windows: Choose from PrompterPro from Ikan, or from multiple third party options in the Windows Store or on the Web.

iOS: Download Ikan Elite Prompter App from App Store

Android: Choose from multiple 3rd party options on Google Play Store

Learn More

More dynamic information at official website: www.ikancorp.com

Support

Contact email: support@ikancorp.com

Conditions of warranty service

Free service for one year from the day of purchase if the problem is caused by manufacturing errors.

- The components and maintenance service fee will be charged if the warranty period is expired.

Free Service will not be Provided in the Following Situations: (*Even if the product is still within the warranty period.)

- Damage caused by abuse or misuse, dismantling, or changes to the product not made by the company.
- Damage caused by natural disaster, abnormal voltage, and environmental factors, etc.