



SUPPORT YOUR IMAGE

NINGBO EIMAGE STUDIO EQUIPMENT CO., LTD

Add: No.1230 South Cihai Rd, Luotuo Industry zone, Zhenhai,
Ningbo, China. 315202

Tel: +86-574-86590031/86590061

E-mail: sales@eimagevideo.com

Visit www.eimagevideo.com for more information



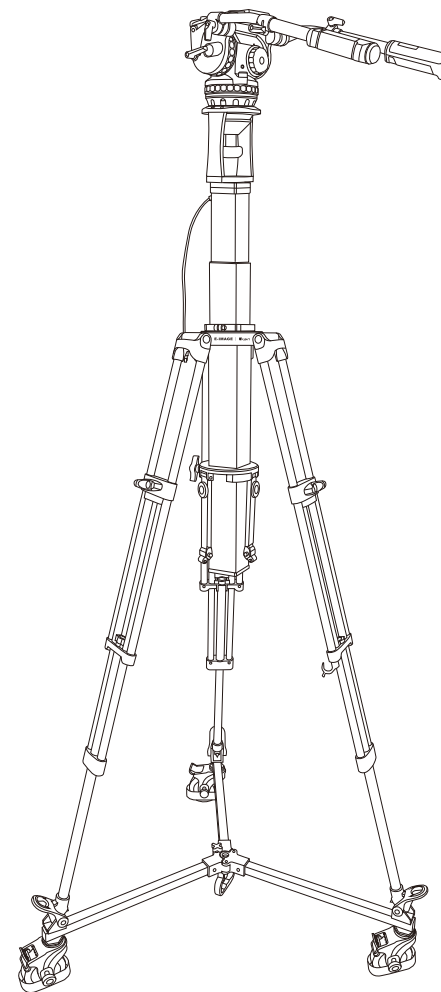
E-IMAGE
Official QR Code

E-IMAGE | **kan**

M-GH20-PEDESTAL

M-GH25-PEDESTAL

Motorized Elevation System



www.eimagevideo.com

User Manual

Contents

Safety Instructions

M-GH20-PEDESTAL	1-2
M-GH25-PEDESTAL	3-4
GAM260 + EI-A19 Motorized Elevation System Part	5
Power Supply Unit Part	6
Wired Remote Controller Part	6
Installation and Settings	7-10
Optional Accessories	11
Use of Optional Accessories	11-13
Daily Maintenance	14
Warranty Card	15

Safety Instructions

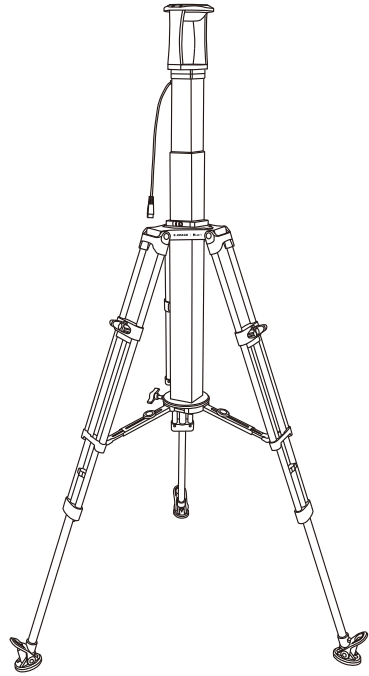
Thanks for purchasing E-IMAGE products.

We encourage you to read this manual carefully to familiarize yourself with all the detailed features before operating it, as some of them may be new to you. The manual includes all safety instructions, operation guidelines, and maintenance procedures. Please ensure that all equipment is operated correctly to avoid any defects or damage, especially ensuring that the tripods are steady, and the head is securely locked and leveled.

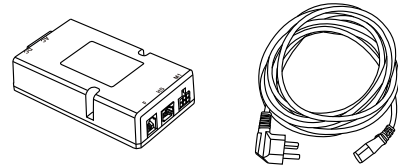
1. Please don't exceed the max. payload of the elevation system.
2. Please don't dismantle or modify the equipment.
3. Please don't operate the equipment when it is out of order and contact the seller then.
4. Please don't use the supplied AC adapter and controller with other equipment.
5. Please don't pull or apply force on to the cables.
6. Please don't plug or unplug the cables with wet hands.
7. Please don't use the equipment in water or excessively humid environments.
8. Please lock the tripod leg and quick release plate tightly before elevating the column.
9. Please keep the quick release plate locked during use.
10. Please don't adjust the height of the column before securely mounting the camera.
11. Please lower the column when attaching or removing accessories.
12. Please remove the camera from the tripod before transportation.

For the latest product information, please visit www.eimagevideo.com and click on the product page.

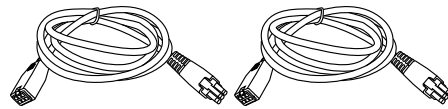
The product packing comes with the following items. In case that any item is found missing, please contact E-IMAGE or your local selling agent.



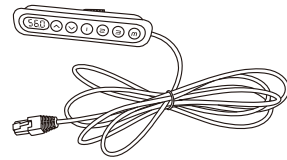
GAM260 + EI-A19 Motorized Elevation System x 1 PC



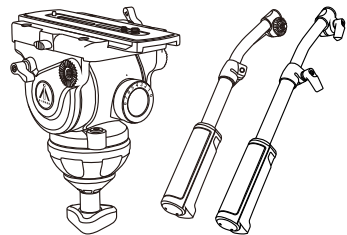
Power Supply Unit & Power Supply Cable(3M) x 1 SET



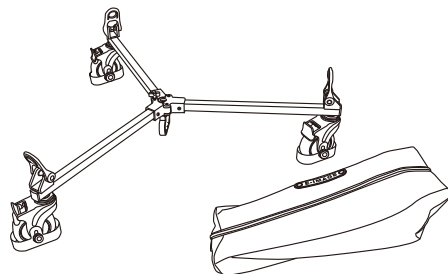
Motor Cable(2.5M) & Extension Cable(2.5M) x 1 SET



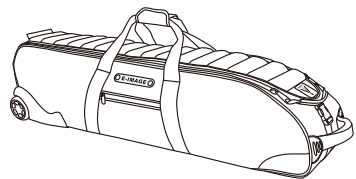
Wired Remote Controller(2M) x 1PC



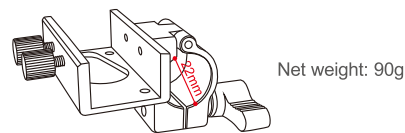
GH20 Fluid Head & GB4 Pan Handles(Left/Right) x 1 SET



EI-7004B Dolly & Dolly Bag x 1 SET



T40 Carrying Bag x 1 PC

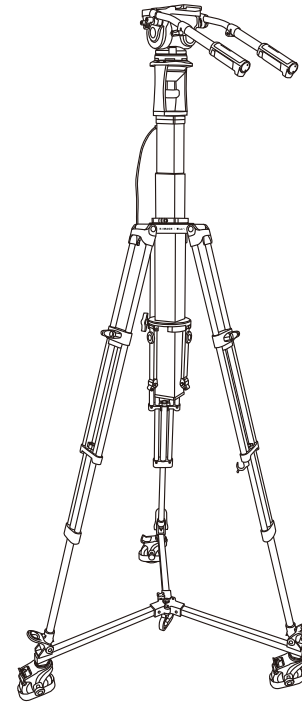


260AC-02 Controller Clamp x 1 PC

Net weight: 90g

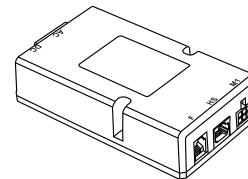
M-GH20-PEDESTAL Specification

1. M-GH20-PEDESTAL Motorized Elevation System Sprcification



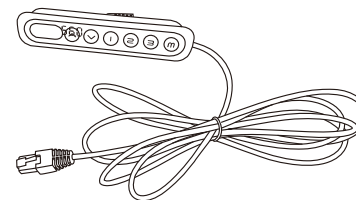
Model	M-GH20-PEDESTAL
Max.Payload	20kg/44.0lbs
Net weight	20.5kg/45.1lbs
Min.height	109cm/42.9in
Max.height	248cm/97.6in
Transport length(without dolly&head)	89,5cm/35,2in
Stroke	65cm/25.6in
Raising/lowering speed	40mm/s
Temperature range	10°C~40°C
Camera attachment	1/4" and 3/8"
Bubble level	Available
Column interface	EI-A19 (100mm Bowl Adapter)
Column section	3
Column size	70x70mm
Noise level	≤38dB
Controller cable	2m/78.7in
Motor cable	2.5m/98.4in
Motor cable extension	2.5m/98.4in

2. Power Supply Unit Sprcification



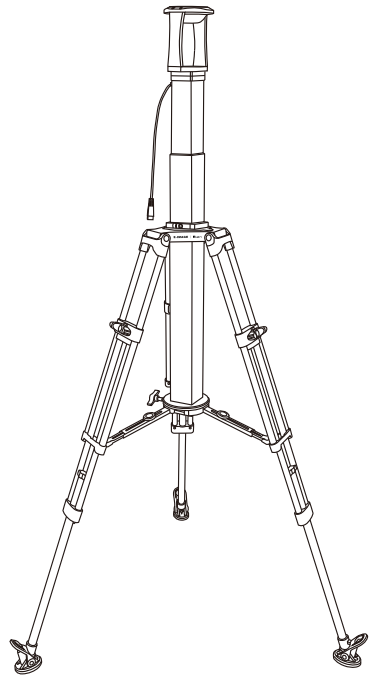
Input	100-240V~, 50/60Hz, 130W
Output	24V, 5A
Duty cycle	10%, Max 2min operate/Min.18min stop
Weight	0.27kg/0.6lbs
Overall size	137x77x35mm/5.4x3.0x1.4in

3. Wired Remote Controller Sprcification

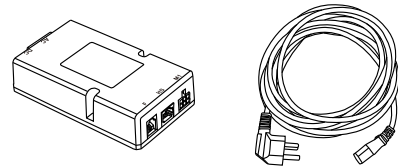


Max.voltage	36V DC
Max.current	50mA
Memory function	3 Memory Buttons
Wire length	2M with 8-pin crystal plus
Ambient temperature	Indoors(+5°C to +40°C)
Feature	LED display actual height
Weight	80g/0.2lbs
Overall size	134x30x18mm/5.3x1.2x0.7in

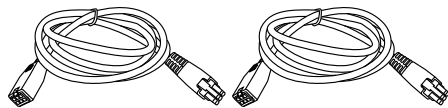
The product packing comes with the following items. In case that any item is found missing, please contact E-IMAGE or your local selling agent.



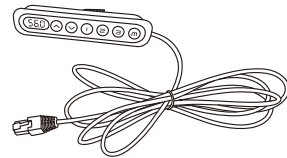
GAM260 + EI-A19 Motorized Elevation System x 1 PC



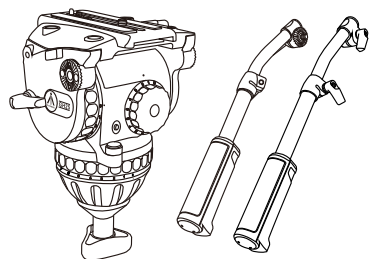
Power Supply Unit & Power Supply Cable(3M) x 1 SET



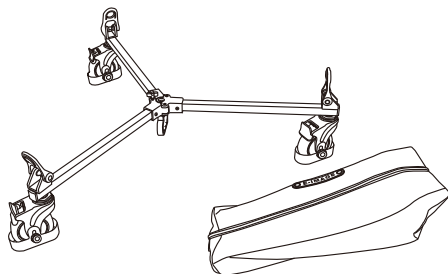
Motor Cable(2.5M) & Extension Cable(2.5M) x 1 SET



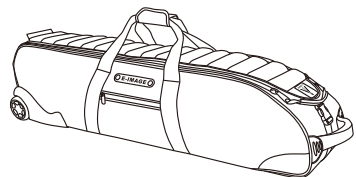
Wired Remote Controller(2M) x 1PC



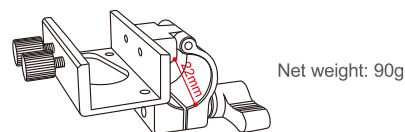
GH25 Fluid Head & GB4 Pan Handles(Left/Right) x 1 SET



EI-7004B Dolly & Dolly Bag x 1 SET



T40 Carrying Bag x 1 PC

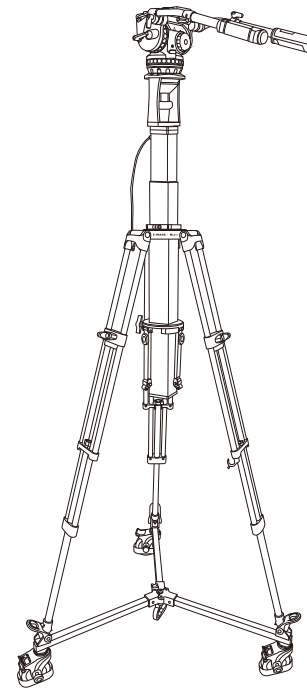


260AC-02 Controller Clamp x 1 PC

Net weight: 90g

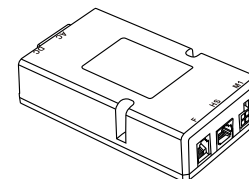
M-GH25-PEDESTAL Specification

1. M-GH25-PEDESTAL Motorized Elevation System Sprcification



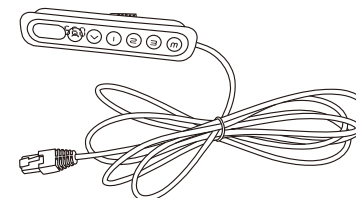
Model	M-GH25-PEDESTAL
Max.Payload	28kg/61.6lbs
Net weight	21kg/46.2lbs
Min.height	111cm/43.7in
Max.height	250cm/98.4in
Transport length(without dolly&head)	89,5cm/35,2in
Stroke	65cm/25.6in
Raising/lowering speed	40mm/s
Temperature range	10°C~40°C
Camera attachment	1/4" and 3/8"
Bubble level	Available
Column interface	EI-A19 (100mm Bowl Adapter)
Column section	3
Column size	70x70mm
Noise level	≤38dB
Controller cable	2m/78.7in
Motor cable	2.5m/98.4in
Motor cable extension	2.5m/98.4in

2. Power Supply Unit Sprcification

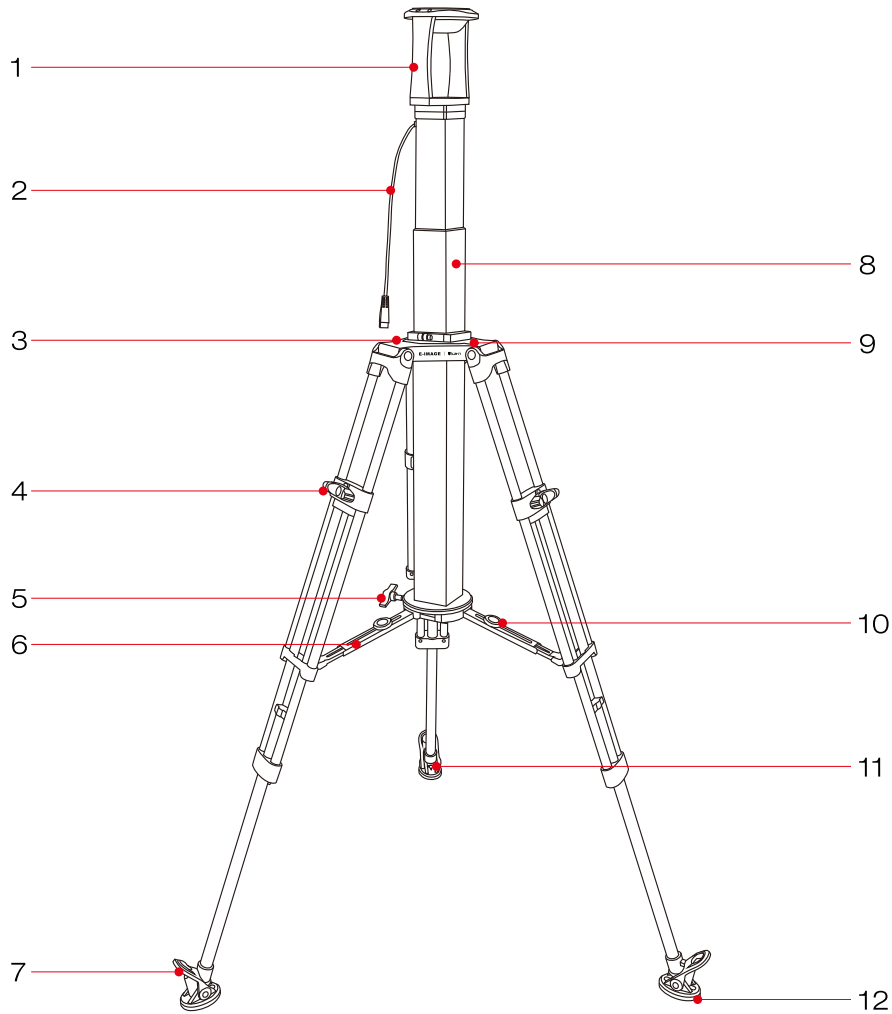


Input	100-240V~, 50/60Hz, 130W
Output	24V, 5A
Duty cycle	10%, Max 2min operate/Min.18min stop
Weight	0.27kg/0.6lbs
Overall size	137x77x35mm/5.4x3.0x1.4in

3. Wired Remote Controller Sprcification

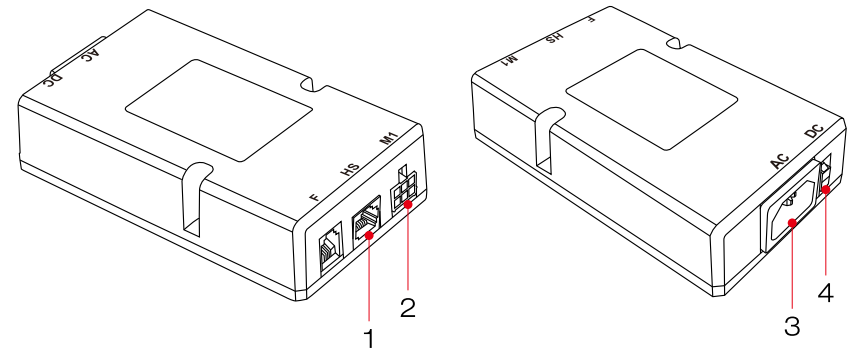


Max.voltage	36V DC
Max.current	50mA
Memory function	3 Memory Buttons
Wire length	2M with 8-pin crystal plus
Ambient temperature	Indoors(+5°C to +40°C)
Feature	LED display actual height
Weight	80g/0.2lbs
Overall size	134x30x18mm/5.3x1.2x0.7in



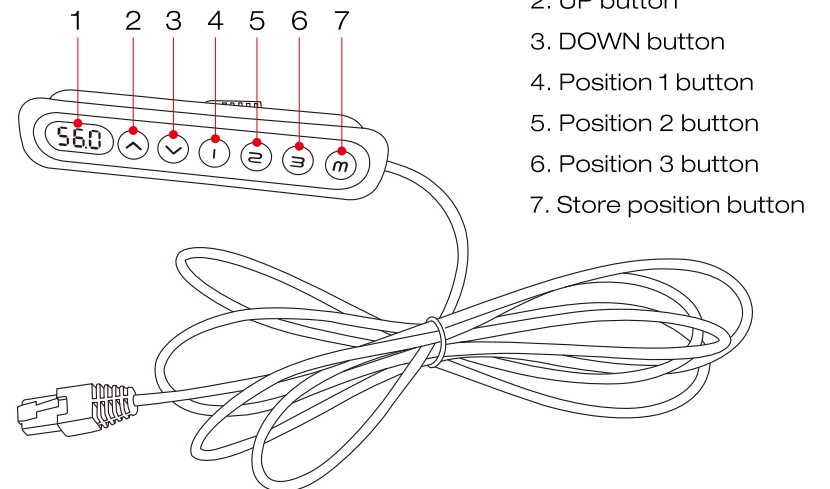
- | | |
|-------------------------------|-------------------------------------|
| 1. EI-A19 100mm bowl riser | 7. Pad-removing tab |
| 2. Column motor cable | 8. Motorized elevation column |
| 3. 1/4" & 3/8" screw holes | 9. Bubble level |
| 4. Mono-lock knob | 10. Locking knob of middle spreader |
| 5. Spreader knob | 11. Spiked feet |
| 6. Detachable middle spreader | 12. Anti-slide rubber pad |

Power Supply Unit Part



1. Controller input port "HS"
2. Motorized elevation unit output port "M1"
3. AC input port
4. DC input port

Wired Remote Controller Part

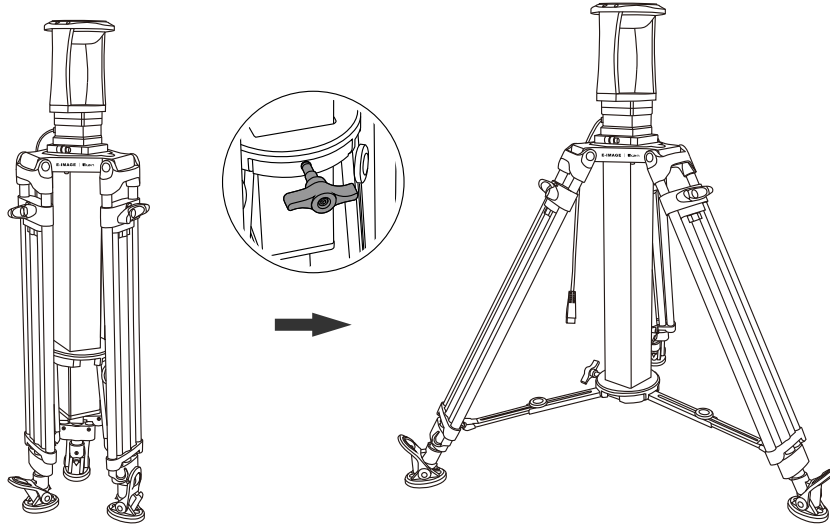


1. Digital display screen
2. UP button
3. DOWN button
4. Position 1 button
5. Position 2 button
6. Position 3 button
7. Store position button

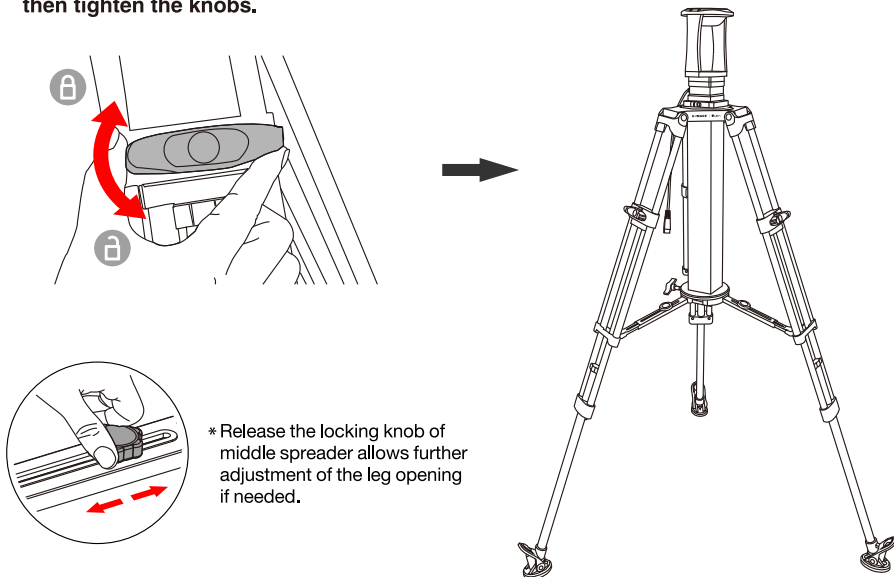
Installation and Settings

A: Setting the M-GH20/GH25-PEDESTAL Legs

- Take out the M-GH20/GH25-PEDESTAL from the carrying bag of the T40.
* When unpacking, carefully inspect the equipment for any damage and ensure that all accessories are present.
- Loosen the spreader knob of column and open the M-GH20/GH25-PEDESTAL legs to the desired position, then lock in place with the same knob.



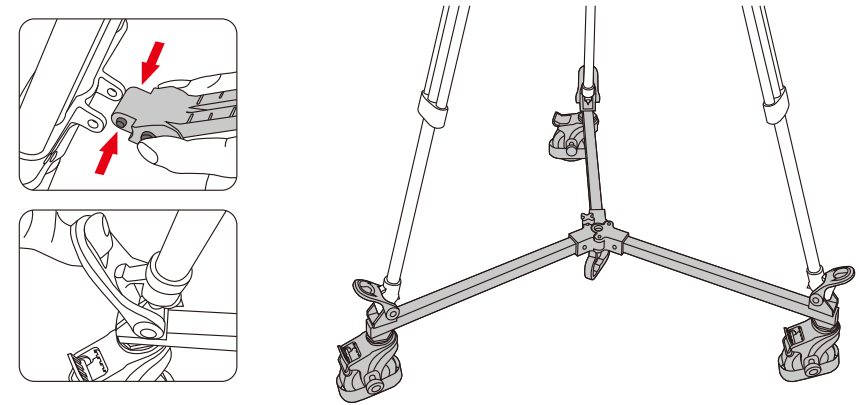
- Loosen the mono-lock knobs on the three legs, adjust the legs to the desired height, and then tighten the knobs.



Installation and Settings

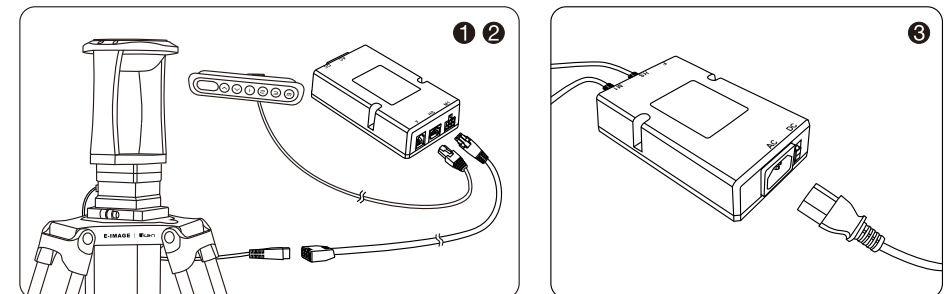
B: EI-7004B Dolly

- Before EI-7004B's installation, remove the middle spreader by pressing the buttons on both sides to perform a quick release. Also, remove the rubber feet.
 - Carefully grip the main body of the M-GH20/GH25-PEDESTAL and align the spikes with the grooves on the dolly.
 - Once aligned, pull the pad-removing tab to securely attach the feet to the dolly.
- * Avoid placing your hands between the M-GH20/GH25-PEDESTAL legs and the center column to prevent any potential hand injuries while carrying the M-GH20/GH25-PEDESTAL.



C: Connecting Power Source / Controller

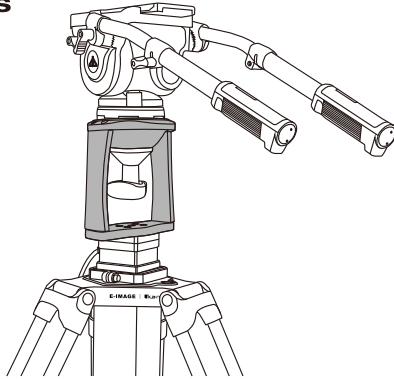
- Connect one end of the 2.5m column motor cable to the motor cable on the center column and the other end to the M1 output port of the power adapter.
* An additional 2.5m column motor cable is included for extension, if needed.
- Insert the crystal head of the remote controller into the HS port of the power adapter.
- Connect the AC end of the power adapter to a power source using the provided cable.



Installation and Settings

D: Compatibility with video heads

- 1 Place the head into the EI-A19 bowl, then locking the bowl knob, meanwhile using the bubble level to set the head in level (the bulb in the circle), finally lock the bowl knob tightly.
- 2 Install the GB4 handle on the handle mounts and adjust the position before tightening the clamps.



E: Wired Remote Controller Operation

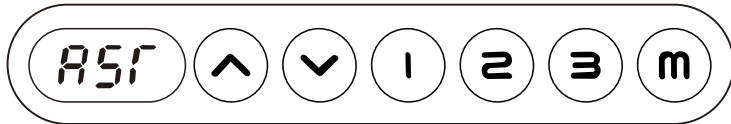
1 Reset operation.

We highly recommend performing a reset operation at the first switch on!

Press and hold the down (V) button to reach lowest position, then release.

Continue to press and hold the down (V) button until "RST" appears on the display, then release.

Finally, press and hold the down (V) button until the display changes from "RST" to a number.



2 Elevation Setup.

Press the up (^) or down (v) button to control the upward or downward movement of the column.

3 Preset Position Setup.

When the column reaches the desired storage position, press the (m) button. The digital display will show "S-" and then release. Press the (1), (2), or (3) button to save the memory position.

* Each time a new position is stored, it will overwrite the previous position if there was one.

4 Limit Setup (Up & Down).

Press the up (^) button or down (v) button to reach the desired working height, then release.

Press the (m) button until the display shows "S-", then release.

Press the up (^) button or down (v) button until the display flashes once, then release.

Press and hold the (m) button again for 3 seconds:

When the display shows "999" indicates the upper limit setting is completed.

When the display shows "00.0" indicates the lower limit setting is completed.

5 Limit Cancellation.

Press the (m) button until the display shows "S-", then release.

Press and hold the (m) button again for 3 seconds until the display shows "555".

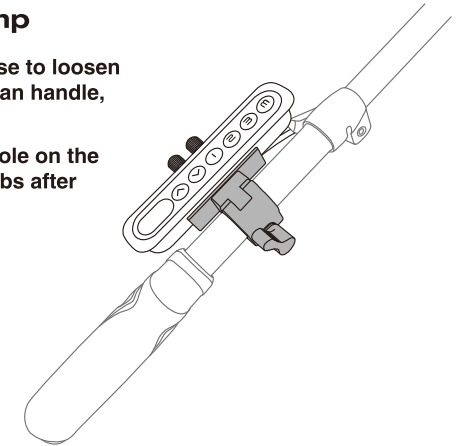
Installation and Settings

6 Exception Display Description.

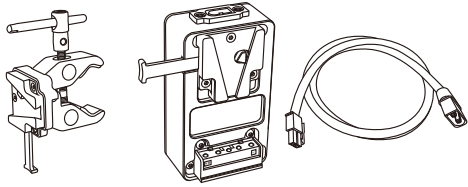
Exception code	Exception description	Symptom	Solution
E01	M1 overcurrent protection	The controller displays E01 and the column stops.	Please reset the cloumn: Press and hold the down (V) button until "RST" appears on the display, then release. Press and hold the down (V) button again until the display changes from "RST" to a number.
E07	M1 Hall abnormality	The controller displays E07 and the column stops.	
H01	Overheating protection/ Overload protection	The controller displays H01, the column stops, and pressing any key has no effect.	After about 30 minutes of recovery, the controller displays the current height, and it can be used normally, or it can be used normally after the power is turned off for 10 seconds.

F: 260AC-02 Controller Clamp

- 1 Rotate the locking knob counterclockwise to loosen the controller clamp, position it on the pan handle, and then lock it.
- 2 Thread the controller wire through the hole on the controller clamp plate, lock the side knobs after the controller placed.



Optional Accessories



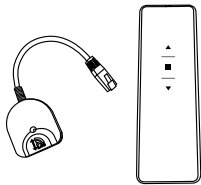
(EI-A05V)

Payload: 4kg
Net weight: 190g
Clamping range: 1.1-3.7cm

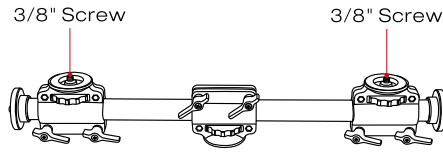
(AD-10)

Size: 5.9x3.1x10cm
Net weight: 390g
Cable Length: 85cm

V-Mount Battery Plate Kit

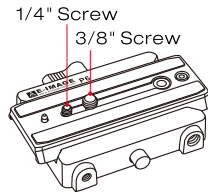


260AC-01 2.4G Remote Controller



MS-010 Tripod Horizontal Boom with 3/8" Screw

Payload: 10kg
Length: 60cm
Net weight: 1750g
Tube dimension: 30mm



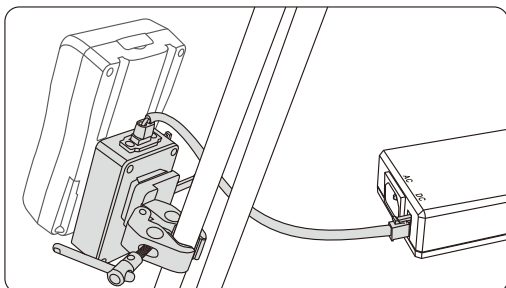
P6 Quick Release Adapter with Plate

Net weight: 305g
Size: 120x100x25mm

Use of Optional Accessories

A: 26V V-Mount Battery Available

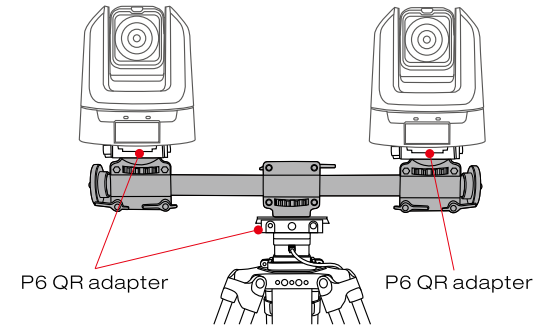
- 1 Put the EI-A05V on the tripod and make sure to lock it tightly.
- 2 Attach the battery adapter on the EI-A05V.
- 3 Attach the 26V V-mount battery on the AD-10.
- 4 Connect the included cable correctly.



Use of Optional Accessories

B: MS-010 Tripod Horizontal Boom

- 1 Attach the MS-010 to the M-GH20/GH25-PEDESTAL with a 3/8" screw through the bottom screw hole.
- 2 Install two P6 QR adapters on the MS-010, allowing for the simultaneous mounting of two PTZ cameras.
- 3 Adjust PTZ camera placement by manipulating the locking knobs on the MS-010 (upright or upside-down).

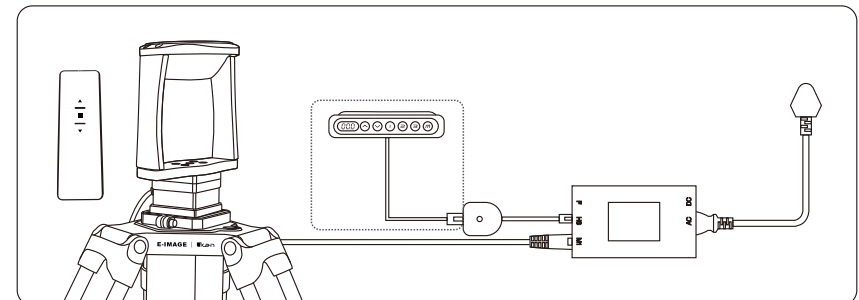


* Ensure that you adjust the MS-010 to the desired position before installing the PTZ cameras. After installing the cameras, securely lock them in place to prevent any accidental camera drops.

* P6 QR adapter is not included.

C: 260AC-01 2.4G Remote Controller

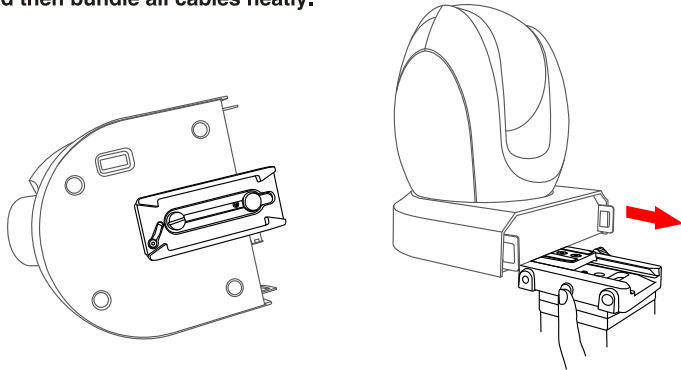
- 1 Connect the crystal head of the 2.4G receiver box to the HS port of the power adapter.
 - * If needed, the wired controller can be connected to the receiver box for use.
- 2 For the initial setup, requires pairing. Press the learning button on the 2.4G receiver box first, then press the up and down buttons simultaneously. The indicator light will flash with in 5 seconds, indicating successful pairing.
 - * Usually factory-preconfigured already for out-of-the-box use.
- 3 Once paired, use the designated buttons (up, down, or stop) for column's height adjustment until the next button press to stop.



Use of Optional Accessories

D: Mounting the PTZ Camera

- ① Release the locking knob on the P6 QR adapter, press and hold the safety button on the side to remove the camera plate.
- ② Mount the PTZ camera onto the camera plate using the 3/8" or 1/4" screws provided.
- ③ Press the safety button and slide the PTZ camera attached into the desired position carefully, and then tighten the locking knob.
- ④ Please ensure that the camera is securely fixed and then bundle all cables neatly.



Daily maintenance

Storage and transport:

When not using the head for a long time, please turn all the knobs to the minimum setting. When not using the tripod, please avoid storing it vertically to prevent damage. When not using the tripod or during transportation, please ensure it is stored in the carry bag.

Function inspection:

Please check the tripod payload and the condition of the head locking regularly to avoid accidents.

Please regularly check and adjust the condition of the tripod and head locking to increase the service life.

Function inspection:

1. Use a lint-free cloth to clean the tripods regularly.
2. Please store it in the carrying case, if not used for a long time.
3. Use a semi-stiff brush or a vacuum for cleaning.

Always engage safety locks and devices where applicable on the products.

Don't use the product at temperatures below 10°C or above 40°C. Clean with mild detergent and a soft cloth. Remove dust and sand from all locking threads and sliding segments. Dry the product after use in wet conditions.

IMPORTANT: It is not recommended to use the product in seawater.

If you have any questions during the use of the product, please carefully read the instructions or seek help from your local distributor.

Customer Information

Customer Name	Contact No.
Address	

Sales Manager

Sales Date	Dealer
Dealer Contact No.	

#1 Maintenance Record

Service Date	Signature of Repairman
Cause of Problem	
Service Result: <input type="checkbox"/> Solved <input type="checkbox"/> Unsolved <input type="checkbox"/> Refunded/ Replaced	