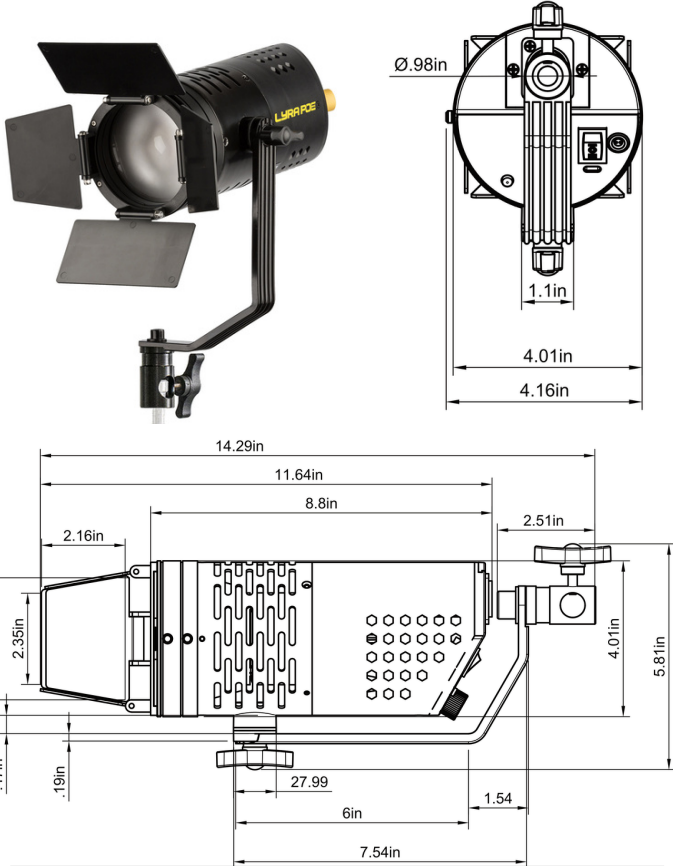


Lyra POE Bi-Color Fresnel LED Light w/ ArtNet and sACN DMX

The Ikan LBF60-POE is a PoE-powered Fresnel light, designed for professional settings such as studios or stages. Like its panel counterpart, it operates using a single Ethernet (RJ45) cable for both power and DMX control, thanks to its PoE++ compatibility. Featuring a Fresnel lens design, the LBF60-POE offers two beam angle options: 30 and 60 degrees, providing flexibility for various lighting requirements. (Patent Pending)



Physical Data

Beam Angle	30 or 60 Degree
Fixture Dimensions	14.3 x 4.2 x 5.8 in. / 36.3 x 10.57 x 14.7 cm
Fixture Weight	2.7 lbs / 1.2 kg
Illumination Dimensions	3.25" Diameter

Mechanical Data

Build Material	Heavy Duty Resin Plastic / Metal
Lens	60 Degree with 30 Degree Add On
Mounting	Yoke, Supports Standard Stage Clamps
Stand Use	Baby 5/8" & Junior 1-1/8" Combo Pin
Barn Doors	Removable

Electronical Data

Power Input	110-220VAC
Operating Voltage	48VDC
Frequency	50/60 Hz
Max Power Consumption	60 W
Color Temperature	Bi-Color 2700K-6500K
Power Loss	Last Scene Hold
LED Type	CoB LED
CRI	97
TLCI	99
Power Supply	Input: 110-220VAC; Output: 48VDC @1.25A (Not Included)

Functionality

Input/Output Ports	RJ45, USB Type C, Threaded Barrel Coaxial (Power)
DMX	ArtNet or sACN
Dimming Range	0 - 100%
Cooling	Passive
LED Lifetime	70,000 Hours
Display	LCD Screen

Environmental Data

Operation Temperature	10 - 110 °F
-----------------------	-------------

Distance	FC	LUX
5600K - Spot		
5ft. / 1.5m	462	4973
10ft. / 3m	133	1430
15ft. / 4.5m	58.1	631
5600K - Flood		
5ft. / 1.5m	63	678
10ft. / 3m	22.2	239
15ft. / 4.5m	9.16	98.6
3200K - Spot		
5ft. / 1.5m	454	4880
10ft. / 3m	110	1180
15ft. / 4.5m	498.2	529
3200K - Flood		
5ft. / 1.5m	58.5	630
10ft. / 3m	15.3	165
15ft. / 4.5m	7.64	82.3