



SUPPORT YOUR IMAGE

NINGBO EIMAGE STUDIO EQUIPMENT CO., LTD

Add: No.1230 South Cihai Rd, Luotuo Industry zone, Zhenhai,
Ningbo, China. 315202

Tel: +86-574-86590031/86590061

E-mail: sales@eimagevideo.com

Visit www.eimagevideo.com for more information

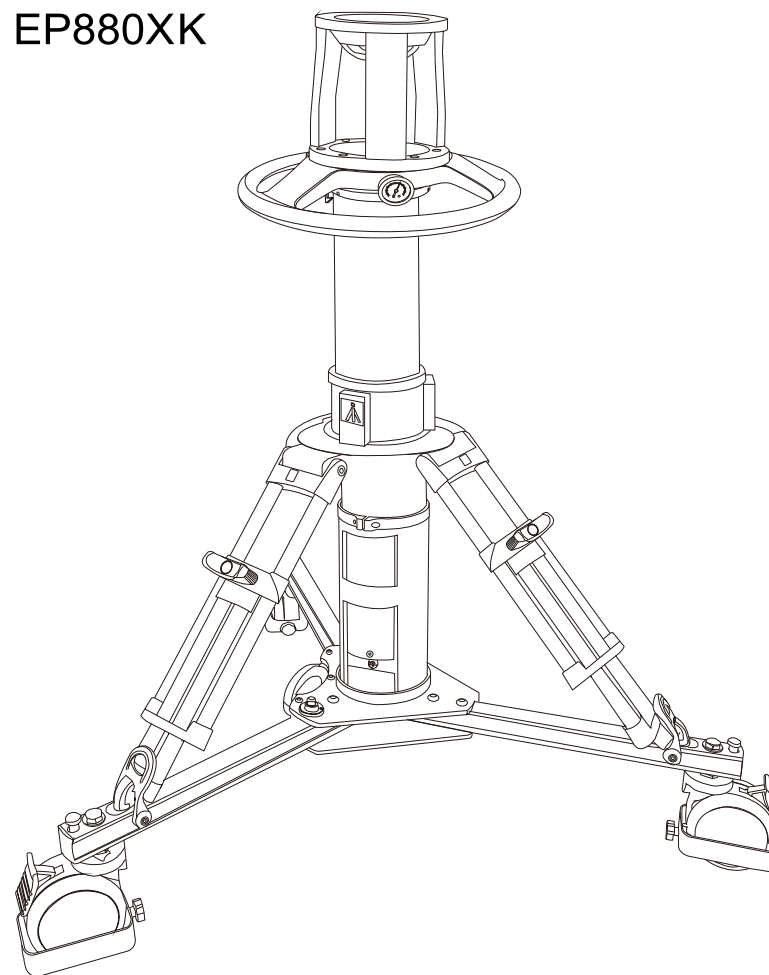


E-IMAGE
Official QR Code



Pedestal

EP880X
EP880XK



www.eimagevideo.com

Contents

Safety Notes

Specifications	1-2
A Part Diagram	3-4
B Setting Up The Pedestal	5
C Mounting The Head	6
D Air Pump Operation	7
E Air Release Valve	8
F Safety Lock Operation	9
G Pedestal Height Adjustment	10
H Standby Mode	11
I Cleaning And Maintenance	11
Customer Information	12

Warning

Please read this manual completely before using the EP880XF / EP880XFK pedestal. Improper use could damage the equipment and/or lead to personal injury. This manual contains important information for proper equipment use and precautions to avoid personal injury.

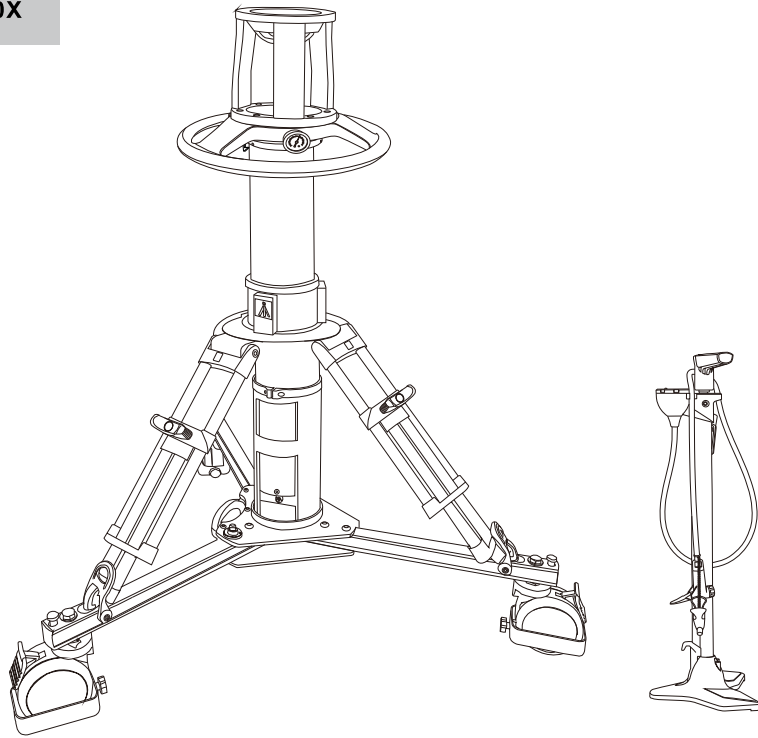
Familiarize yourself with this manual and keep it handy for easy reference while pedestal is in use.

For your safety, follow all of the precautions and instructions listed below.

Safety Notes

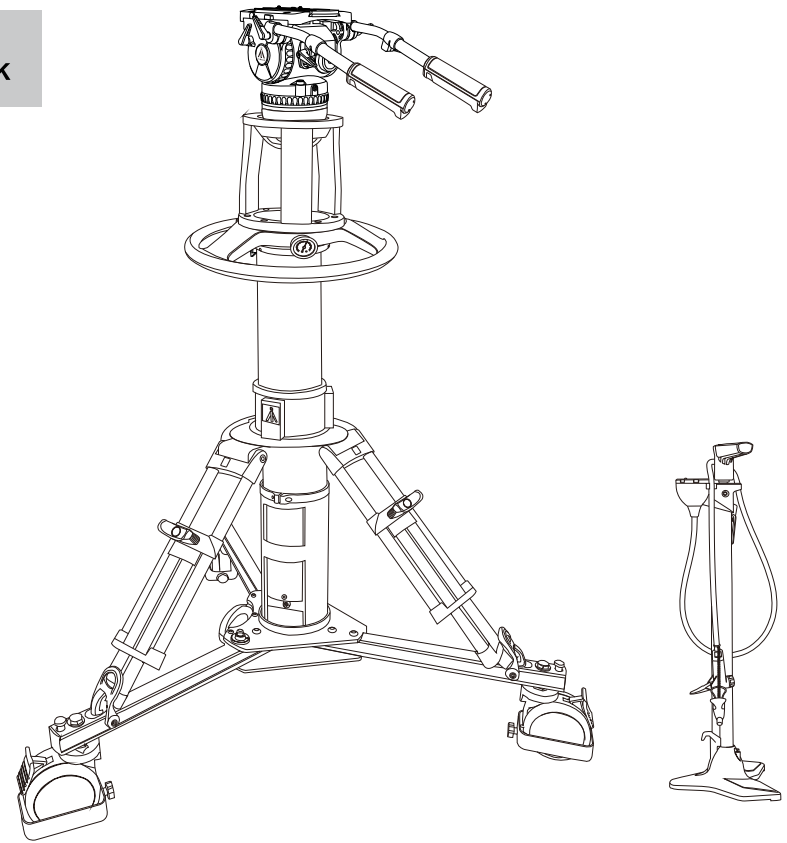
- ▲ Failure to follow these precautions can result in personal injury.
- ▲ Keep your upper body away from the upper column while pumping air.
- ▲ If the air pressure exceeds necessary levels for the camera weight the column may quickly rise and cause injury or equipment damage.
- ▲ Engage the safety lock when removing your camera. Center column may rise quickly when the camera is removed.
- ▲ Do not exceed the load capacity of the pedestal or video head. Overloading the pedestal could result in spontaneous collapse or failure of equipment locks.
- ▲ Do not dismantle or remove any parts of the pedestal that are not designed to be removed. This may result in the warranty being voided, equipment damage, or personal injury.
- ▲ Check all safety equipment locks for tightness and effectiveness. If locks are not effectively tightened, equipment may slip or fall off, causing personal harm or damage to equipment.
- ▲ Engage all safety locks when storing or transporting the pedestal.
- ▲ Check the air pressure before using the pedestal. Air pressure can change while in transport, while being stored, or when there is a change in temperature. The relief valve can handle some changes, but the operator should always check the air pressure gauge before use.
- ▲ It is recommended to remove air completely during transport or long periods of storage.

A EP880X



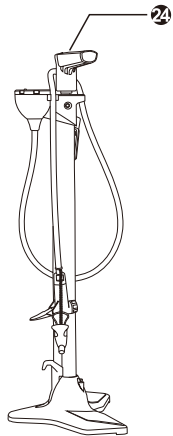
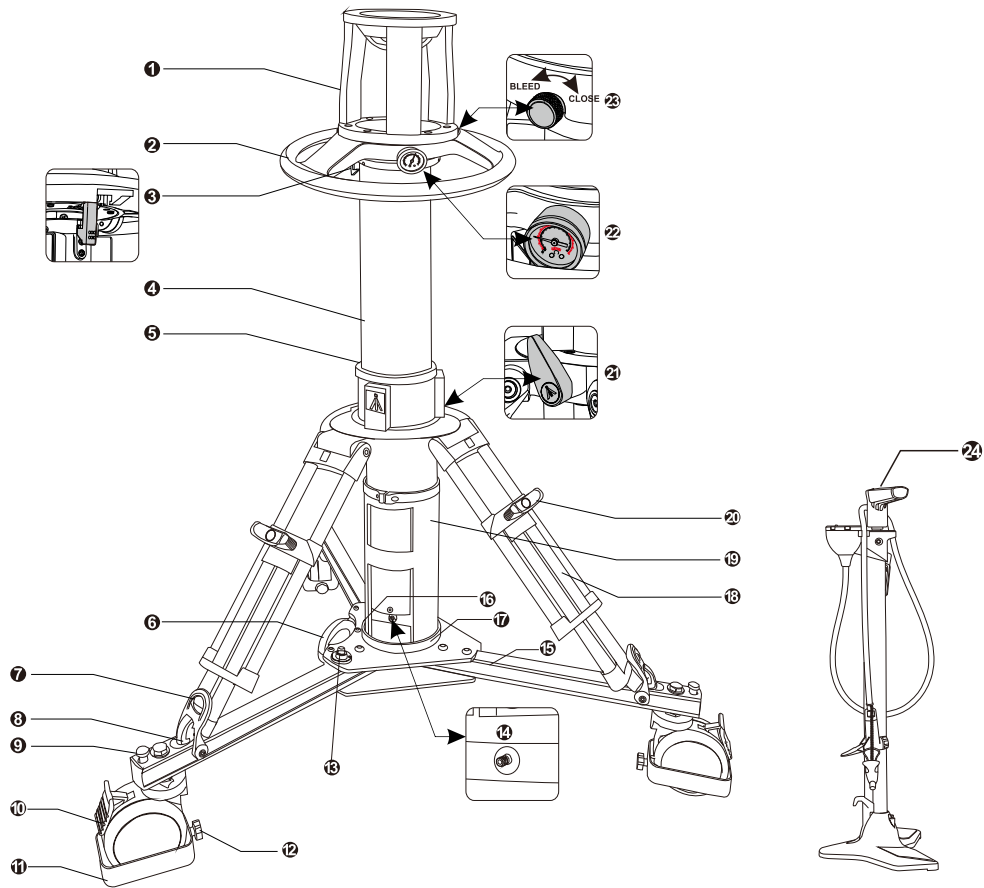
Model	EP880X
Max.Height range	164.0cm / 64.6in
Min.Height range	101.5cm / 40.0in
One-shot stroke	38.0cm / 15.0in
Payload range	50.0kg / 110.0lbs
Net weight	37.5kg / 82.5lbs
Component	
Pedestal	EP880X
Dolly	EI-7008
Packing	Pedestal (Aluminum Case) Dolly (Box Packing)

A EP880XK



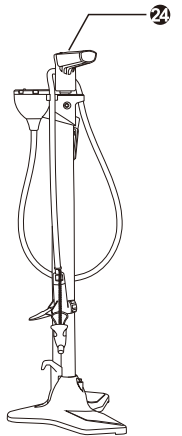
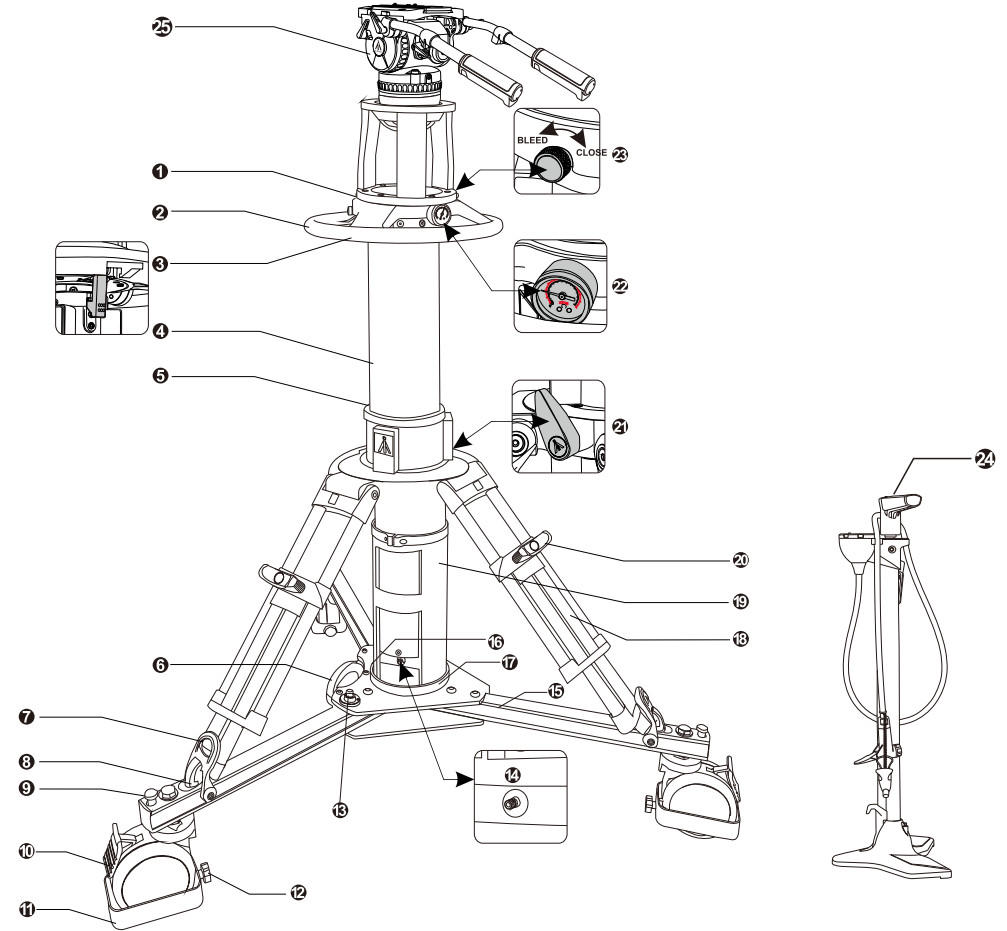
Model	EP880XK
Max.Height range	187.0cm / 73.6in
Min.Height range	124.5cm / 49.0in
One-shot stroke	38.0cm / 15.0in
Payload range	40.0kg / 88.0lbs
Net weight	46.5kg / 102.3lbs
Component	
Head	GH40 PLUS
Pedestal	EP880X
Dolly	EI-7008
Packing	Head (Box Packing) Pedestal (Aluminum Case) Dolly (Box Packing)

A EP880X



- 1. Head bowl
- 2. Grip Wheel
- 3. Safety Locker
- 4. Upper Column
- 5. Column Safety Latch
- 6. Dolly
- 7. Rubber Foot Hook
- 8. Rubber Foot Hook Groove
- 9. Dolly Wheel Angle Lock
- 10. Dolly Wheel Lock
- 11. Cable Guard
- 12. Cable Guard Height Lock
- 13. Dolly Leg Locking Button
- 14. Air Inlet
- 15. Dolly Leg
- 16. Lower Column Lock Knob
- 17. Column Stopper
- 18. Pedestal Leg
- 19. Lower Column
- 20. Leg Lock Knob
- 21. Upper Column Lock Knob
- 22. Air Pressure Gauge
- 23. Air Pressure Bleed Valve
- 24. Air Pump

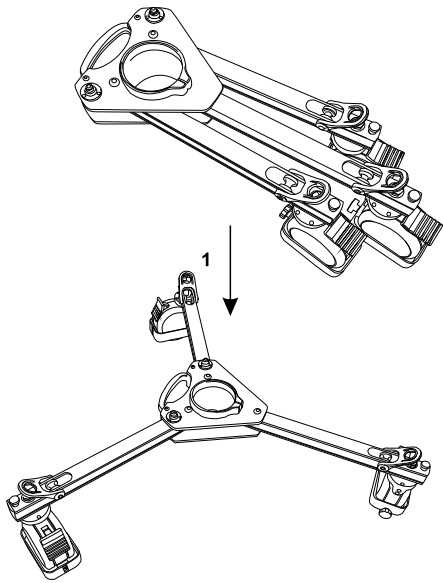
A EP880XK



- 1. Head bowl
- 2. Grip Wheel
- 3. Safety Locker
- 4. Upper Column
- 5. Column Safety Latch
- 6. Dolly
- 7. Rubber Foot Hook
- 8. Rubber Foot Hook Groove
- 9. Dolly Wheel Angle Lock
- 10. Dolly Wheel Lock
- 11. Cable Guard
- 12. Cable Guard Height Lock
- 13. Dolly Leg Locking Button
- 14. Air Inlet
- 15. Dolly Leg
- 16. Lower Column Lock Knob
- 17. Column Stopper
- 18. Pedestal Leg
- 19. Lower Column
- 20. Leg Lock Knob
- 21. Upper Column Lock Knob
- 22. Air Pressure Gauge
- 23. Air Pressure Bleed Valve
- 24. Air Pump
- 25. GH40 PLUS

B

B-1

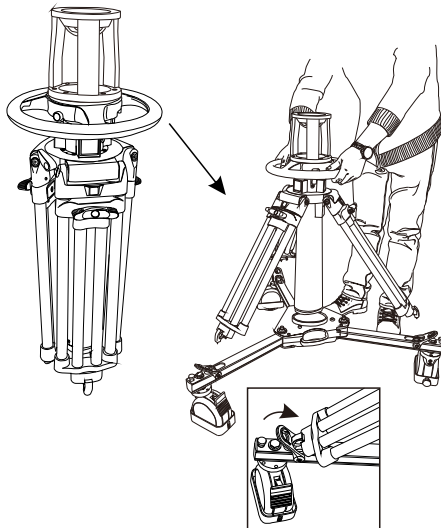


B: Setting up of the Pedestal

B-1: Setting up of the dolly

1. Take out the dolly from box, spreader side two legs until location buttons fall down.

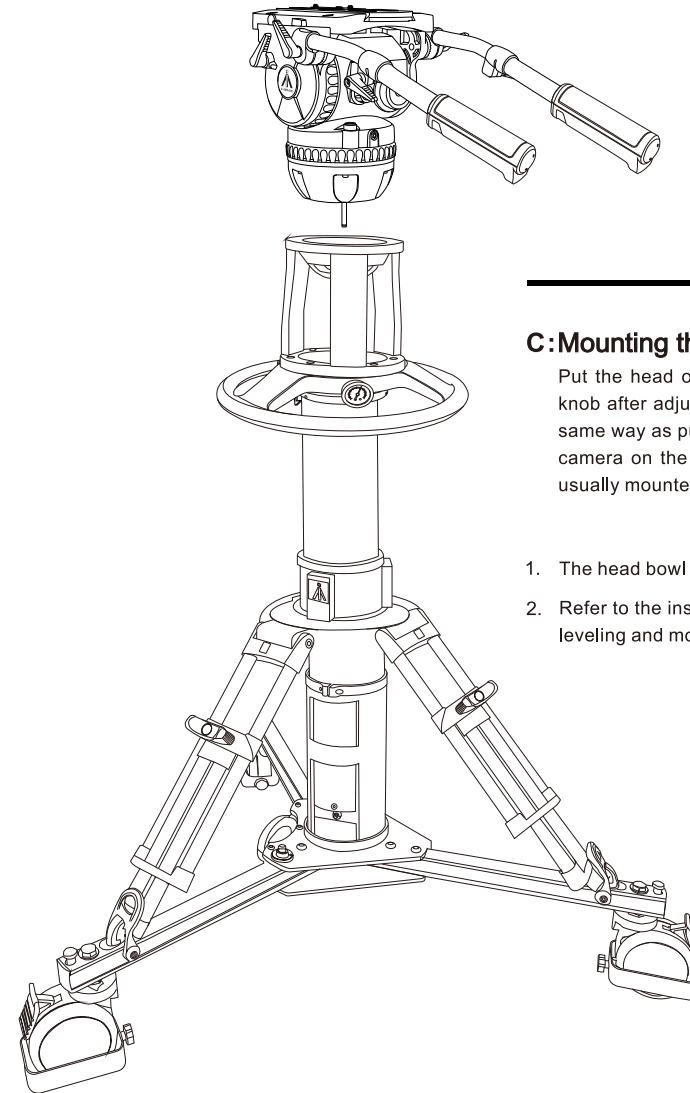
B-2



B-2: Setting Pedestal on the dolly

2. Take out the Pedestal from the box.
3. Spread the three legs, insert the lower column into the central hole of dolly, until it stops at column stopper.
4. Insert the 3 spike feet into the hole of dolly brace holder, pull the leg rubber holder. Securely fasten the rubbers to lock the leg in place.

C



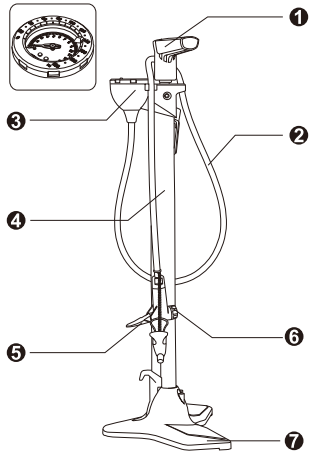
C: Mounting the Head

Put the head on the Head bowl, secure the locking knob after adjusting the head into level according to same way as putting head on the tripod. Then put the camera on the head in the same way as camera is usually mounted on the head.

1. The head bowl allows 100mm bowl heads.
2. Refer to the instructions of the head for adjusting the leveling and mounting the camera.

D

D-1

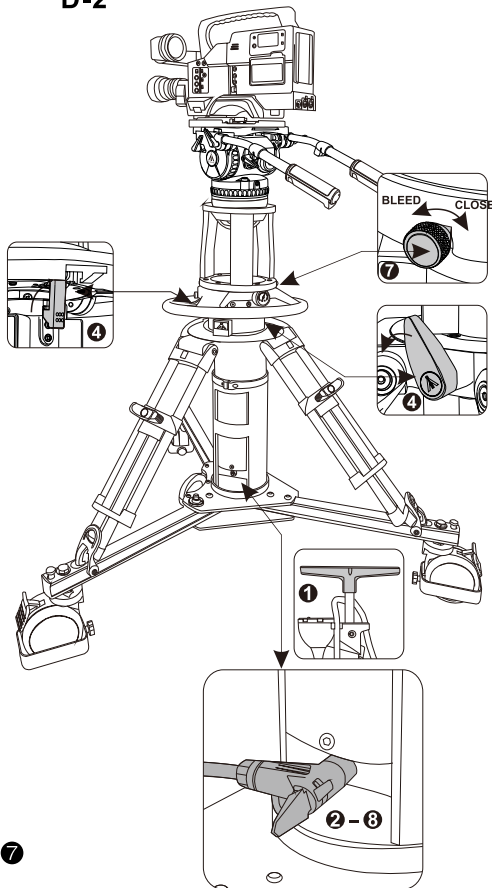


D: Air Pump operation

D-1: Description of air pump

1. Handle
2. Hose
3. Instrument panel
4. Cylinder
5. Nozzle lock lever
6. Nozzle
7. Ground spreader

D-2



D-2: Air pump operation

1. Please pull the handle first.
2. Insert the pump nozzle fully into the air inlet.
3. Pull up the nozzle lock lever, make sure to securely fix the nozzle.
4. Loose the column lock knob and safety locker, close the Bleed valve.
5. Pour the air by pumping the air pump.
6. The air pump shall be stable on the floor while pumping air, by placing your foot on the ground spreader.
7. Make the camera weight and air pressure into balance according to operation of bleed valve.
8. Pull down the nozzle lock knob and take out the nozzle.

Pay attention:

- Please mount camera and accessories before you start to pressurize the column.
- Please release the safety locker and column locking knob before pumping air in.
- As some pressure is already applied at the factory, the central column may now move upwards. You can check the pressure with the pressure gauge at the column.
- Electronic pump is also available for pumping air. same steps as above.

E

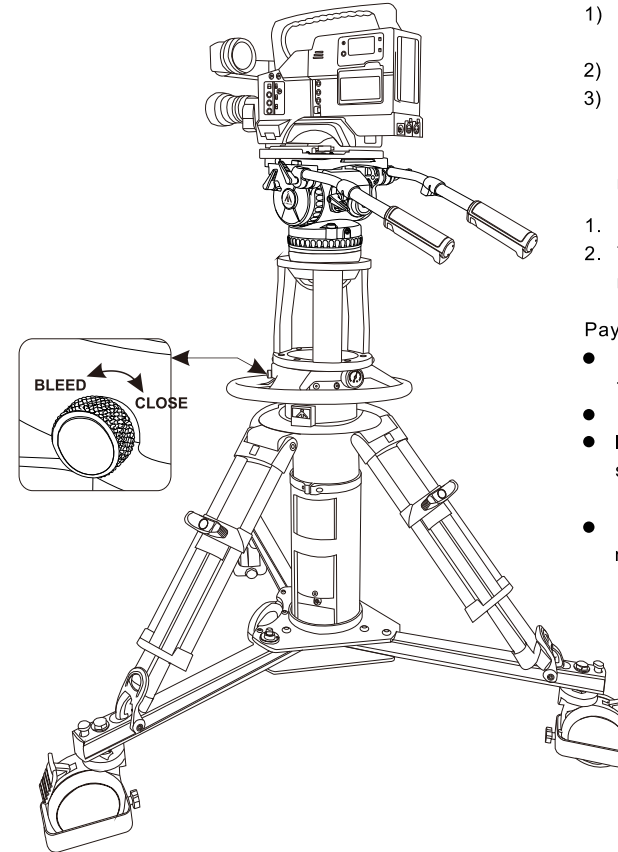
E: Releasing air

- 1) When pouring too much air and the air pressure is not balanced to the camera weight;
 - 2) When the air needs to be completely released for storing
 - 3) When the air needs to be completely released for transporting.
- Under the above three circumstance, the air can be removed by loosening the bleed valve.

1. Loose bleed valve, release the pressure.
2. Tighten the valve until it not turn anymore after air is released.

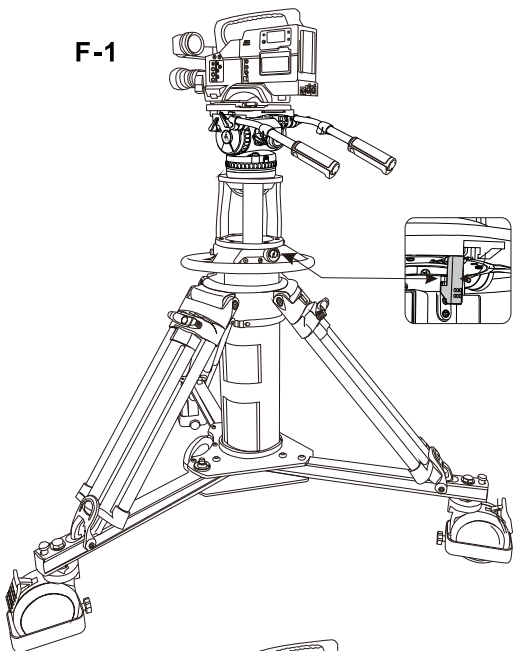
Pay attention:

- Air may leak out from the valve if valve is not properly tightened.
- Do not touch the valve except releasing air.
- If releasing all air through the bleed valve, please make sure that the upper column is fully lowered and safety lock is locked.
- If releasing air but without lower the upper column, it maybe fall down suddly and causing personal injury.



F

F-1



F: Operation of safety locker

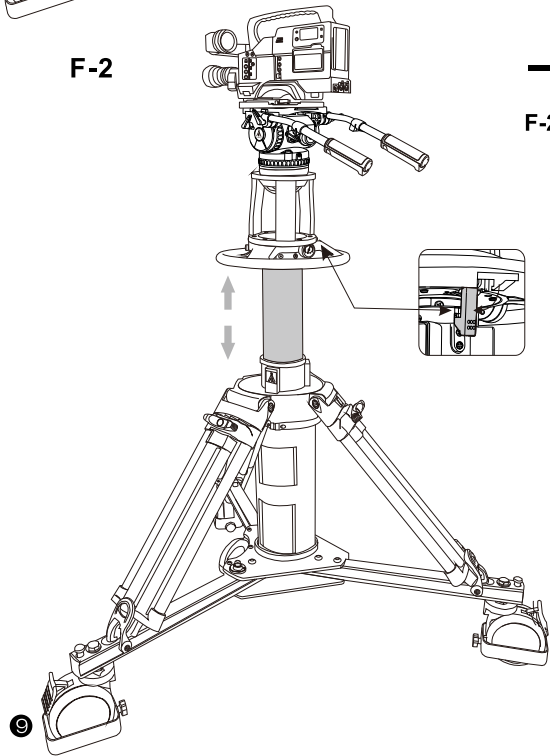
Note: Before operation, please loose the upper column locking knob. After operation, please lock it tightly.

F-1: Lock the safety locker

Hold the steering wheel, push down the upper column to the bottom by adding your body weight. Push the safety locker downward, and secure by hooking it on the safety locker latch.

- Make sure to check the locking lock is secured.

F-2



F-2: Release the safety locker

Hold the steering wheel, press down the pedestal by adding your body weight, until releasing the safety locker from safety latch.

- If air pressure remains when camera not being mounted, the upper column may rise suddenly causing injury or damage to person or equipment.
- Be careful when releasing hands from the steering wheel.

G

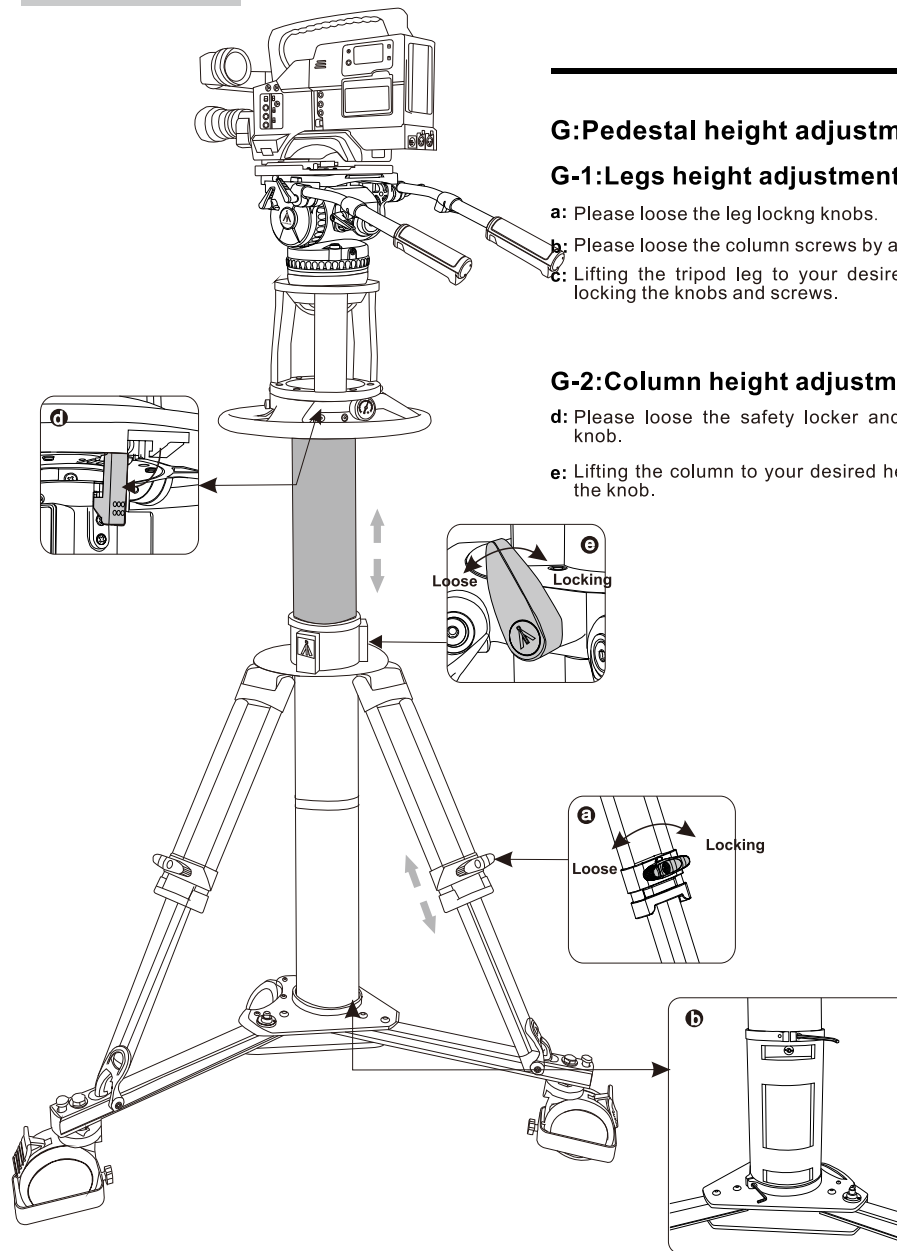
G: Pedestal height adjustment

G-1: Legs height adjustment

- a: Please loose the leg locking knobs.
- b: Please loose the column screws by allen key.
- c: Lifting the tripod leg to your desired height, then locking the knobs and screws.

G-2: Column height adjustment

- d: Please loose the safety locker and column locking knob.
- e: Lifting the column to your desired height, then lock the knob.



H

H: Standby mode

Please lock the central column knob and secure the dolly by press down the brakes.

Note: Before first use and longer breaks, please move the central column several times fully up and down to achieve utmost smooth performance.

I

I: Cleaning and maintenance

We encourage regular cleaning of the product.

It should be wiped regularly with a clean and dry cloth to remove the dirt and dust during normal use.

Customer Information

Customer Name	Contact No.
Address	

Sales Manager

Sales Date	Dealer
Dealer Contact No.	

#1 Maintenance Record

Service Date	Signature of Repairman
Cause of Problem	
Service Result:	<input type="checkbox"/> Solved <input type="checkbox"/> Unsolved <input type="checkbox"/> Refunded/ Replaced