

EI-7080-AAD Video Tripod System

Smart pro fluid head EI-7080H assembled with 0-5 counterbalance, 2 stage aluminum tripod AT7602AP. The head and legs feature a 100mm ball/bowl. Max.load is 12kg (26.5lbs). EI-7004B is included.



Specifications:

Payload	12.0kg / 26.5lbs
Height range	87.5-182cm / 34.4-71.7in
Net weight	10.6kg / 23.3lbs
Bowl size	100mm

What's included:

Head	EI-7080H with Dual Handles
Tripod	AT7602P (spreader & rubber feet are not included)
Dolly	EI-7004B

EI-7080H with Dual Handles 100mm Fluid Head

The EI-7080H is designed to support the latest generation in acquisition from the DSLR to film-ready HDV, to provide outstanding fluid drag performance. Selectable 5 position counterbalance and 50mm sliding plate with dials to balance a wide range of versatile camera support platforms available.



Features



Fixed pan & tilt drag for smooth movement.



0-5 grades of counterbalance for perfect balance.



A built-in bubble level to assist balancing in.



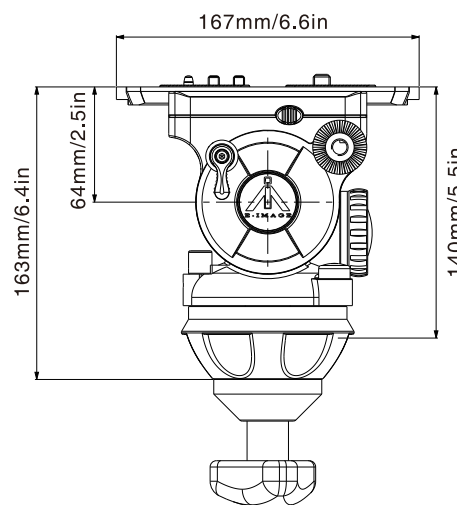
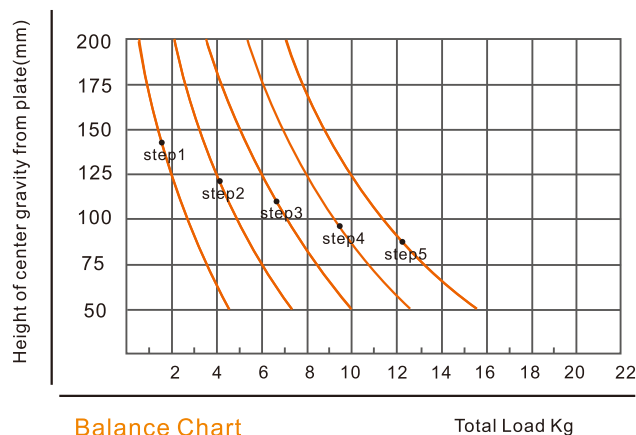
P2 quick release plate.

Specifications

	Payload	6.0-12.0kg / 13.2-26.5lbs
	Counterbalance	0-5
	Grades of pan drag	Fixed
	Grades of tilt drag	Fixed

	Tilt range	-50°~+90°
	Temperature range	-30°C~+60°C
	Net weight	3.1kg / 6.8lbs
	Bowl size	100mm

Counterbalance Graph



AT7602P+EI-7004B

The AT7602P aluminum tripod supports a payload weighting up to 60kg (132lbs). It is made of aluminum has a 100mm bowl and ergonomic revolving lock design for quick height adjustment. EI-7004B is included. The 100mm/4 inch wheels can be individually braked. It comes with cable guard.



100mm bowl size.



Ergonomic metal hand locking knob.



Turn the knob to extend the dolly, easy to go out.



High quality aluminum tube.



Each wheel incorporates its own foot-activated brake.



Durable-wheel 100mm dia casters with adjustable cable guards.

Specifications:

Payload	60.0kg / 132.0lbs
Height range	74-168.5cm / 29.1-66.3in
Net weight	7.5kg / 16.5lbs
Bowl size	75mm
Material	Aluminum