

EI-7080-AA Video Tripod System

Smart pro fluid head EI-7080H assembled with 0-5 counterbalance, 2 stage aluminum tripod AT7602AP, with middle spreader and rubber feet. The head and legs feature a 100mm ball/bowl. A kit bag is included.



T10 Carry bag

Full padded portable carrying bag providing good protection during movement.

Specifications:

Payload	12.0kg / 26.5lbs
Height range	76.0-164.0cm / 29.9-64.6in
Transport length	84.5cm / 33.3in
Net weight	7.0kg / 15.4lbs
Bowl size	100mm

What's included:

Head	EI-7080H
Tripod	AT7602P with Middle Spreader
Packing	T10 Carry bag

EI-7080H 100mm Fluid Head

The EI-7080H is designed to support the latest generation in acquisition from the DSLR to film-ready HDV, to provide outstanding fluid drag performance. Selectable 5 position counterbalance and 50mm sliding plate with dials to balance a wide range of versatile camera support platforms available.



Features



Fixed pan & tilt drag for smooth movement.



0-5 grades of counterbalance for perfect balance.



A built-in bubble level to assist balancing in.



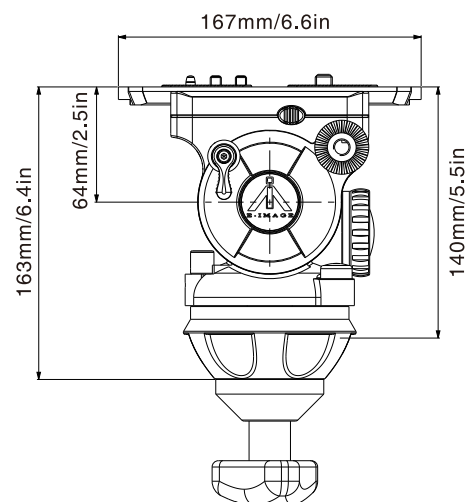
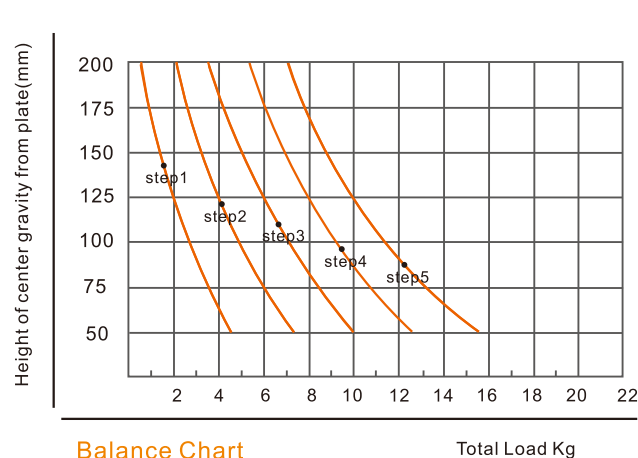
P2 quick release plate.

Specifications

	Payload	6.0-12.0kg / 13.2-26.5lbs
	Counterbalance	0-5
	Grades of pan drag	Fixed
	Grades of tilt drag	Fixed

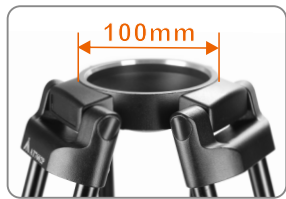
	Tilt range	-50°~+90°
	Temperature range	-30°C~+60°C
	Net weight	2.7kg / 6.0lbs
	Bowl size	100mm

Counterbalance Graph



AT7602P with Middle Spreader 100mm Video Tripod

The AT7602P with Middle Spreader aluminum tripod supports a payload weighting up to 60kg (132lbs). It is made of aluminum has a 100mm bowl and ergonomic revolving lock design for quick height adjustment. The maximum working height can be reached 150.5cm, an adjustable GS01 middle spreader provides extra security and stability.



100mm bowl size.



High quality aluminum tube.



Ergonomic metal hand locking knob.



Adjustable middle spreader adding extra stability.



Spike foot & big rubber are both available.



Specifications:

Payload	60.0kg / 132.0lbs
Height range	62.5-150.5cm / 24.6-59.3in
Transport length	71.0cm / 28.0in
Net weight	4.3kg / 9.5lbs
Bowl size	100mm
Sections	3
Material	Aluminum
Spreader	GS01 middle spreader