



SUPPORT YOUR IMAGE

NINGBO EIMAGE STUDIO EQUIPMENT CO., LTD

Add: No.1230 South Cihai Rd, Luotuo Industry zone, Zhenhai,
Ningbo, China. 315202

Tel: +86-574-86590031/86590061

E-mail: sales@eimagevideo.com

Visit www.eimagevideo.com for more information

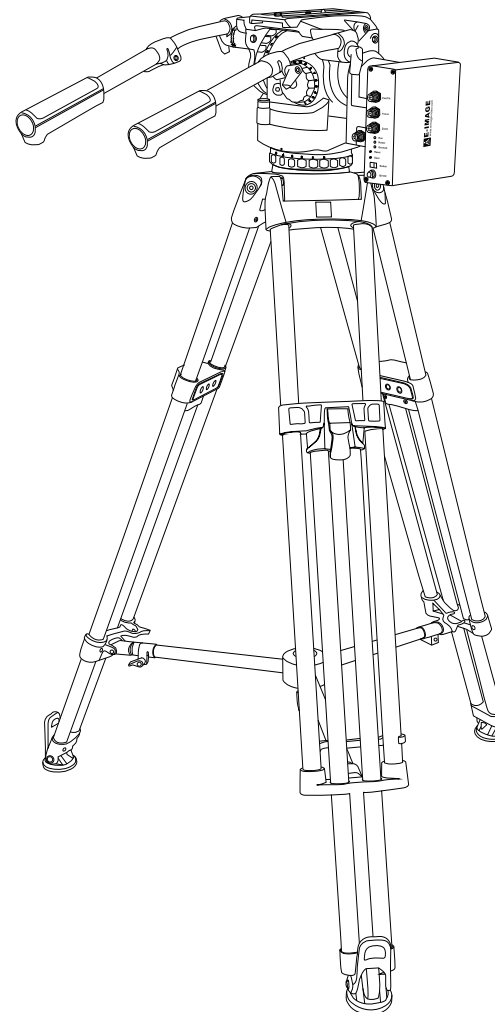


E-IMAGE
Official QR Code



EG25XR PRO

Virtual Head Tracking System With Tripod



www.eimagevideo.com

Instructions

Contents

Safety Instructions	1
Product Introduction	2
In the Box	3
Specification	4
GH25XR PRO Head	5
ECT100L Tripod	6
Head Date Synchronization Acquisition Box	7
Using	9
Problems and Solution	10
Warranty Card	12

Safety Instructions

Thanks for purchasing E-IMAGE EG25XR PRO products.

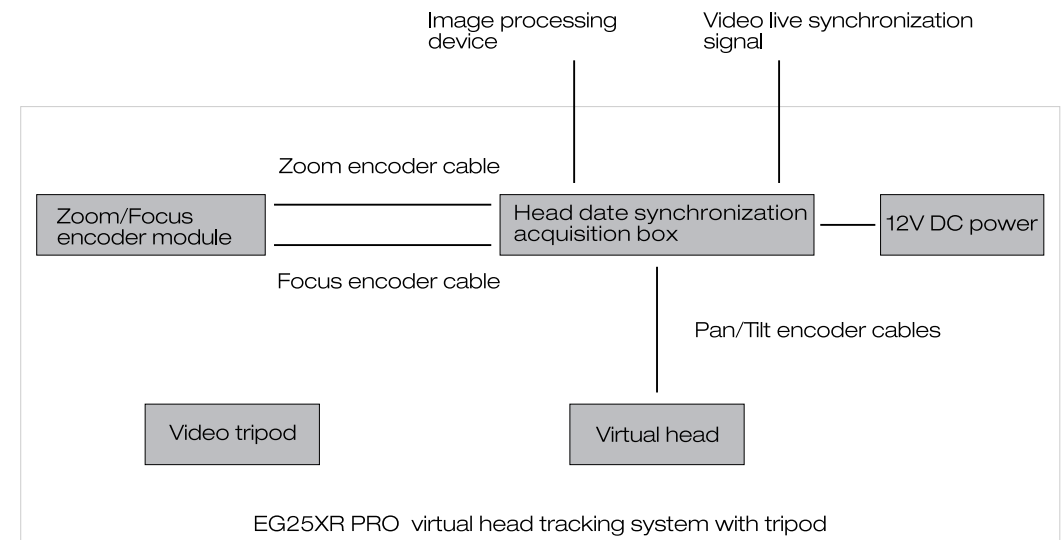
We encourage you to read this manual carefully to familiarize yourself with all the detailed features before operating it, as some of them may be new to you. The manual includes all safety instructions, operation guidelines, and maintenance procedures. Please ensure that all equipment is operated correctly to avoid any defects or damage, especially ensuring that the tripods are steady, and the head is securely locked and leveled.

1. In order to avoid non recovery after wrong operation, please back up the original configuration file before modifying in tf card.
2. Please make sure all cables are with correct interface.
3. Please connect all the cables before power on.
4. Please make sure lock the cables connector tightly, in case any fall off or poor contact, influence normal using of whole device.
5. Inspecting focus/zoom gear teeth wear in every 3-6months is suggested. Please change it if the central hole is worn or loose touching with lens.
(Operation: camera is turn off. Please hold on the focus lens or zoom lens of camera, dial the focus or zoom gear softly, if no loose, the central hole is normal. In the whole movement, the focus/zoom gear disc will work closely while the lens is turning. If not, please change the gear disc.)
6. Please lock the tripod leg tightly before mounting camera on.
7. Please make sure the head is locked tightly on the tripod.
8. Please remove the camera from tripods for transportation.

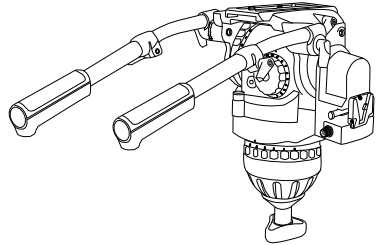
For the latest product information, please visit www.eimagevideo.com and click on the product page.

Product Introduction

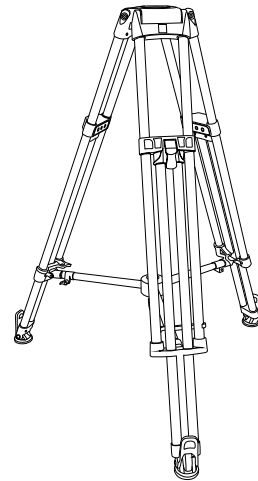
EG25XR PRO virtual tripod system is self-developed high-performance virtual head measuring system. It is an important component subsystem of VR and MR system. The virtual system is combined by Video tripod, Virtual head, Head date synchronization acquisition box, zoom/focus encoder module and DC power. It is used for collecting the data of pan & tilt angle of head, zoom & focus of camera. The system sends virtual data (the pan & tilt angle of head, zoom & focus of camera) to the image processing device in real time according to the synchronization signal inputs of video live. The data are send with RS422 or LAN interface, all conform to FREE-D protocol.



The product packaging comes with the following items. In case any item is found missing, please contact E-IMAGE or your local sales agent.



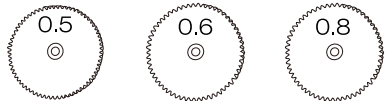
GH25XR Pro Head x 1 PC



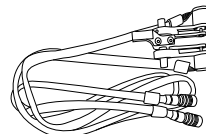
ECT100L Video Tripod x 1 PC



Head Date Synchronization Acquisition Box x 1 PC



Gear Module-0.5 x 2 PCS
Gear Module-0.6 x 2 PCS
Gear Module-0.8 x 2 PCS



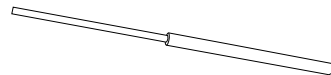
Zoom/Focus Encoder x 1 PC



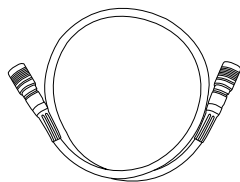
Universal Follow Focus Ring x 2 PCS



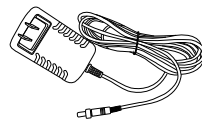
Output Line x 1 PC



15mm Steel Rod Adapter x 2 PCS



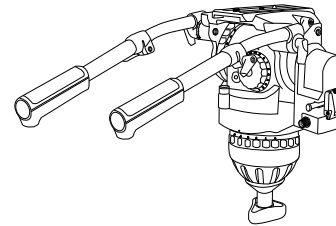
Pan/Tilt Date Cable x 1 PC



Power Adapter x 1 PC

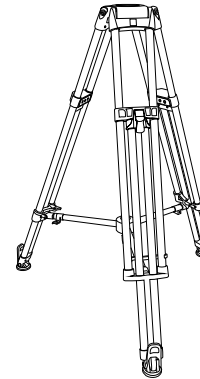
Specification

1 Head specification



Model	GH25XR PRO
Payload Range	25kg / 55lb
Counterbalance	1-15
Grades Of Pan Drag	0-7
Grades Of Tilt Drag	0-7
Tilt Range	-80° ~ +90°
Temperature Range	-30°C ~ +65°C
Bowl Size	100mm
Net Weight	4.2kg / 9.3lb

2 Tripod specification

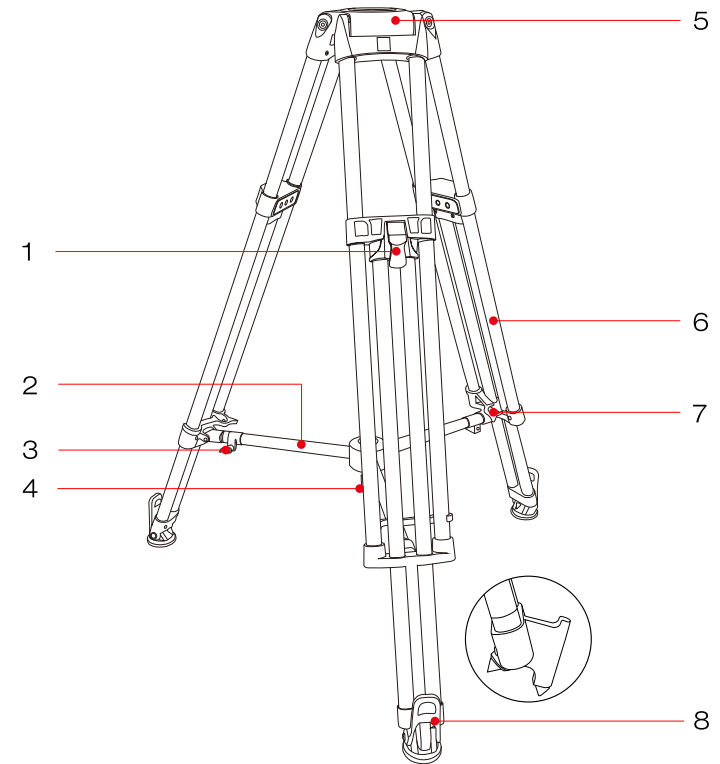
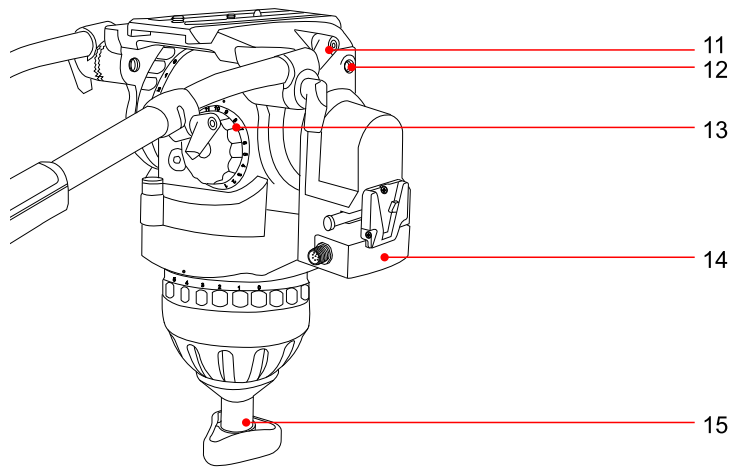
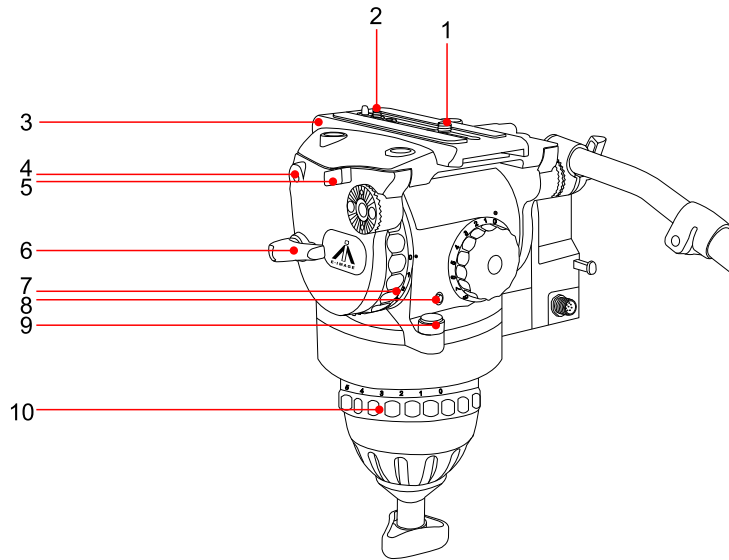


Model	ECT100L
Payload Range	100kg/220.0lb
Height Range	75.5cm~153cm/ 29.7in~60.2in
Transport Length	92.5cm/36.4in
Bowl Size	100mm
Sections	2
Material	Carbon fiber
Net Weight	8kg/17.6lb

3 Head date synchronization acquisition box specification



Model	1080P
Supply Voltage	DC9-12V (Electrical)
Maximum Current Consumption	1A
Pan / Tilt Resolution	16 Bit Absolute (65,536 Count/Revolution)
Zoom / Focus Resolution	Up to 16 bit absolute (Effective Resolution: 13 bit absolute)
Communication Bus	RS422 Speed:38400 bps Date:8 bits Stop:1 bit Parity:Odd
Communication Protocol	Free-D1
Data Output Frequency	Depending On Genlock, Max Frequency 60Hz
LAN Connection	RJ45 (T568B)
Power	<10W
Temperature Range	0-40°C
Humidness	RH 60%(25°C)
Size	156x152x50mm 6.1x6.0x2.0in
Net Weight	530g/1.2lb



1. 3/8" screw

2. 1/4" screw

3. Camera plate

4. 1/4" screw hole

5. Insurance button

6. Tilt locking knob

7. Tilt damping dial

8. Illuminous button

9. Bubble level

10. Pan damping dial

11. Camera plate locking knob

12. 1/4" screw hole

13. Counterbalance adjustment dial

14. V-lock mount adapter

15. Bowl locking knob

1. Flip lock lever

2. Mid-level spreader

3. Length adjustment locking knob

4. Angle adjusting bolt

5. Bowl base

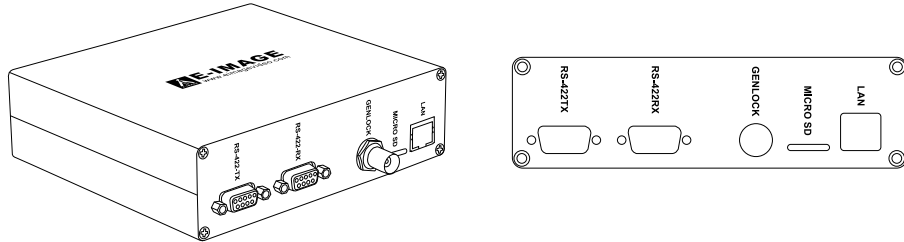
6. Leg tube

7. Transport belt

8. Rubber feet & Spiked feet

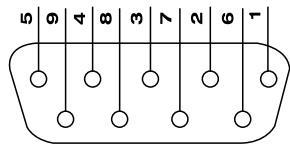
Head Date Synchronization Acquisition Box - Right Side

① Head date synchronization acquisition box - right side.



1-1: RS-422-TX

Date transfer connector, DB9 interface, RS-422 signal.



DB9 PIN No.

Pin No.	1	2	3	4	5
Definition	RX+	RX-	TX+	TX-	GND

RS-422-TX PIN definition

1-2: RS-422-RX

Date receiver, DB9 interface, RS-422 signal. The PIN definition is same as transfer. It is only used for retransmission Head date synchronization acquisition box.

1-3: GENLOCK

Sync signal input connector, BNC interface. The date can be output by connecting sync signal generator in default mode. The inner wire should be connected to Sync signal, and the shielded wire should be connected to GND.

1-4: MICRO SD

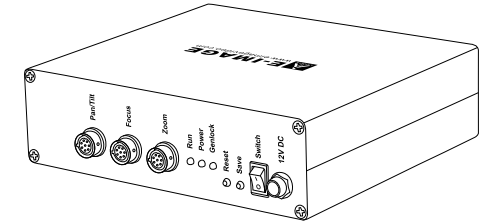
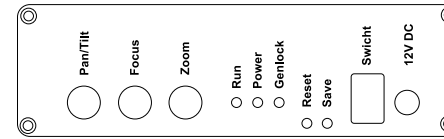
Micro SD card is inserted in. Please power off when put the card in or take out. The config. txt file is the system standard file. It can be edited by matched card reader.

1-5: LAN

LAN connect, RJ45 connector. UDP Internet system for outputting data.

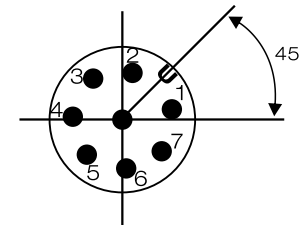
Head Date Synchronization Acquisition Box - Left Side

② Head date synchronization acquisition box - left side.



2-1: Pan/Tilt

Pan/tilt connector, eight-cores aviation interface.



Eight-cores socket pin number

Pin No.	1	2	3	4	5	6	7	8
Definition	5V	5V	Head Tilt RX-	Head Tilt RX+	Head Pan RX-	Head Pan RX+	GND	GND

Head Pan/Tilt connector pin definition

2-2: Focus

Lens focus connector, eight-cores aviation interface, cmos signal. Zero port products without it.

Pin No.	1	2	3	4	5	6	7	8
Definition	GND	5V	SO	SI	CLK	CS	NC	NC

Lens focus connector pin definition

2-3: Zoom

Lens Zoom connector, eight-cores aviation interface. The definition is same as focus.

2-4: Run

Run light indicator, the light flashes in every 2s if program runs well.

2-5: Power

Power indicator, it is continuous light on after power on.

2-6: Genlock

Sync input indicator, it is continuous light on if sync signal is inputting.

2-7: Reset

Reset button, by pressing it on 3 times continuously, the setted location of pan/tilt will be cleared.

2-8: Save

Store the last position of pan&tilt before power off

2-9: Switch

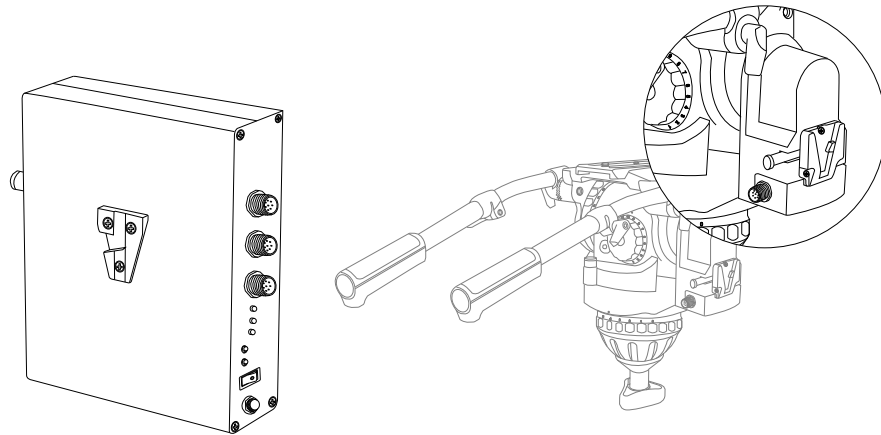
Power on/off.

2-10: 12V DC

12V DC power adapter.

Head Date Synchronization Acquisition Box - Back Side

1 Head date synchronization acquisition box - back side.



The back is with standard V-lock mount , which is used for installing it on virtual head by pulling it down, until hear "click".

Using

- 1 Please assemble the tripod kit, camera, zoom/ focus module, Head date synchronization acquisition box, and other sync signal device and virtual software devices.(sync device & virtual software is provided by customer).
- 2 Please power on the Head date synchronization acquisition box.
- 3 Please open your software and related devices, the Head date synchronization acquisition box will send data to corresponding connector, finishing head data collecting.

Problems and Solution

1 The power light is off.

Reasons	Solutions
The input electric current problem	Please change the power
interface is loosed	Please tight it
The switch is not on	Turn it on
Other problem	Return back to factory

2 Run indicator light is off or continuous on.

Reasons	Solutions
The micro controller is locked	Turn the power off, then turn on
TF card is broken	Copy the configuration file again or change the card
Other problem	Return back to factory

3 Sync indicator light is off or flash.

Reasons	Solutions
Sync signal input is not stabl	Change to other sync source or change the sync cable
Connector is loosed	Make it tighter
Other problem	Return back to factory

Problems and Solution

④ Date can't be received or the transmission continually.

Reasons	Solutions
No signal access	Please access the signal
Date transfer or receiver connector is loosed	Make it tighter
Sync signal is not stable	Change to other sync source or change the sync cable
Sync signal connector is loosed	Make it tighter
Other problem	Return back to factory

Customer Information

Customer Name	Contact No.
Address	

Sales Manager

Sales Date	Dealer
Dealer Contact No.	

#1 Maintenance Record

Service Date	Signature of Repairman
Cause of Problem	
Service Result: <input type="checkbox"/> Solved <input type="checkbox"/> Unsolved <input type="checkbox"/> Refunded/ Replaced	