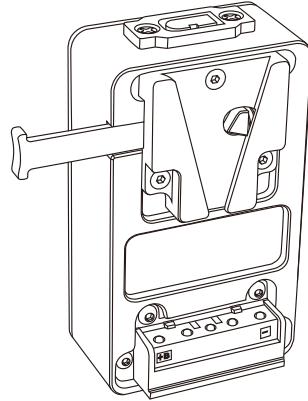
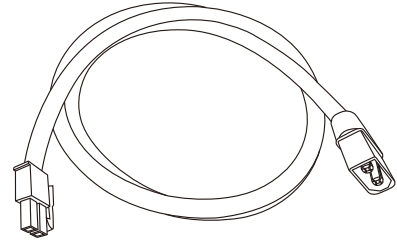


EI-A05V
V-mount clamp



AD-10
Battery adapter with cable

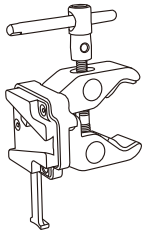


Specifications

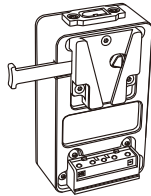
Model	Payload	Net weight	Clamping range
EI-A05V	4kg / 8.8lbs	190g / 0.4lbs	1.1-3.7cm / 0.4-1.5in

Model	Net weight	Cable Length	Size
AD-10	390g / 0.9lbs	85cm / 33.5in	5.9x3.1x10cm / 2.3x1.2x3.9in

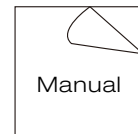
In the Box



EI-A05V x1PC



AD-10 & Cable x1 SET



User Guide x1PC

Contact Information

NINGBO EIMAGE STUDIO EQUIPMENT CO., LTD

Add: No.1230 South Cihai Rd, Luotuo Industry zone, Zhenhai, Ningbo, China. 315202

Tel: 86-574-86590031/86590061

E-mail: sales@ikancorp.com | sales@eimagevideo.com

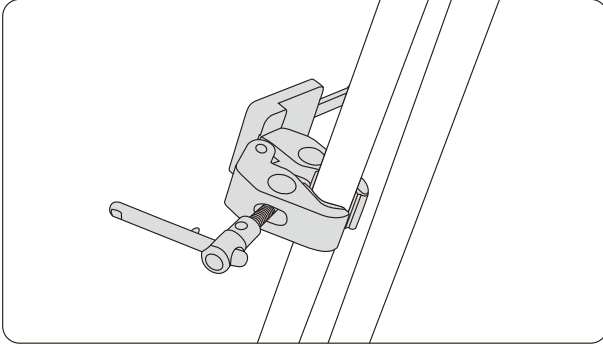
Visit ikancorp.com or eimagevideo.com for more information



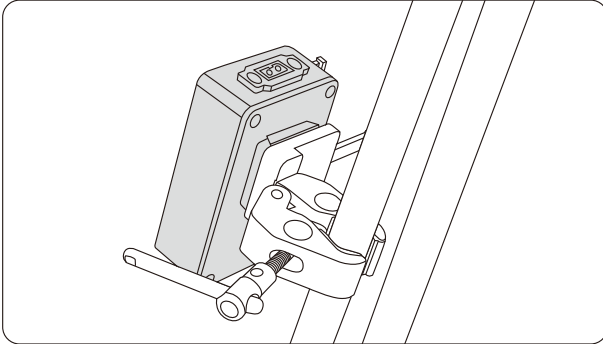
EIMAGE official QR code

Connect the M-PTZ-PEDESTAL Motorized Elevation System

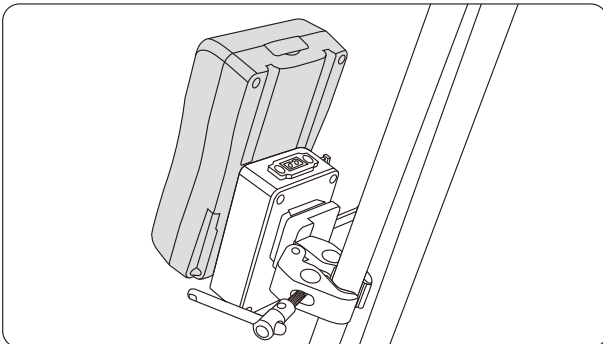
- Put the EI-A05V on the tripod and make sure to lock it tightly.



- Attach the battery adapter AD-10 on the EI-A05V.



- Attach the 26V V-mount battery on the AD-10.



- Connect the included cable correctly.

