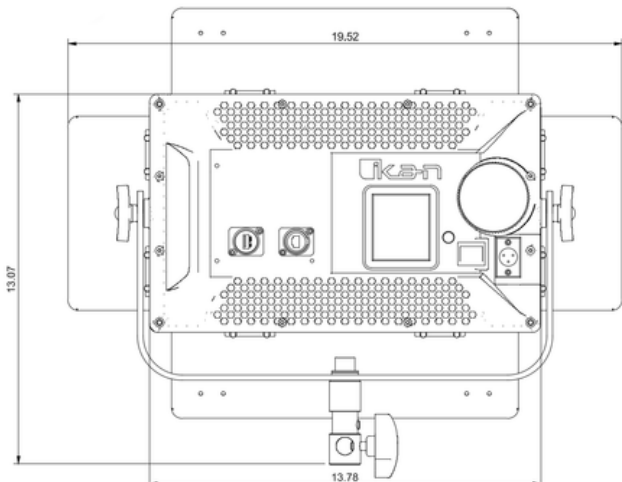


## Lyra POE Half x1 Bi-Color Studio Panel Soft LED Light w/ ArtNet and sACN DMX

The Ikan LBX10-POE is a Half x1 soft panel LED light that is simultaneously powered (via PoE++) and DMX controlled (via ArtNet or sACN) through a single Cat6 RJ45 Ethernet cable. These PoE++ lights redefine simplicity, allowing quick and easy connectivity through an Ethernet cable. (Patent Pending)



### Photometrics

Distance	FC	LUX
<b>5600K</b>		
5ft. / 1.5m	64.3	692
10ft. / 3m	20.4	220
15ft. / 4.5m	9.7	104
<b>4400K</b>		
5ft. / 1.5m	64.6	696
10ft. / 3m	19.7	212
15ft. / 4.5m	9.24	99.5
<b>3200K</b>		
5ft. / 1.5m	58.7	632
10ft. / 3m	18.4	199
15ft. / 4.5m	8.99	96.8

Physical Data	
Beam Angle	110 Degree
Fixture Dimensions	14 x 7 x 3 in. / 35.5 x 17.7 x 7.6 cm
Fixture Weight	4 lbs / 1.8 kg
Illumination Dimensions	12 x 6 in. / 31 x 15.5 cm
Mechanical Data	
Build Material	Heavy Duty Resin Plastic / Metal
Lens	1/2 Stop Soft Diffusion Panel
Mounting	Supports Standard Stage Clamps
Stand Use	Baby 5/8" & Junior 1-1/8" Combo Pin w/ 90 Degree Offset
Barn Doors	Installed
Electronical Data	
Power Input	110-220VAC
Operating Voltage	48VDC
Frequency	50/60 Hz
Max Power Consumption	45 W
Color Temperature	Bi-Color 3200K-5600K
Power Loss	Last Scene Hold
LED Type	Chip LEDs
CRI	98
TLCI	99
Power Supply	Input: 110-220VAC; Output: 48VDC @3.12A (Not Included)
Functionality	
Input/Output Ports	RJ45, USB Type A, 3 Pin XLR (Power)
DMX	ArtNet, sACN, or DMX512 (5 Pin XLR)
Dimming Range	0 - 100%
Cooling	Passive
LED Lifetime	70,000 Hours
Display	LCD Screen
Environmental Data	
Operation Temperature	10 - 110 °F