

# iLED312-SP

## iLED312 LED Spot Light QUICKSTART GUIDE

---



---

### CONDITIONS OF WARRANTY SERVICE

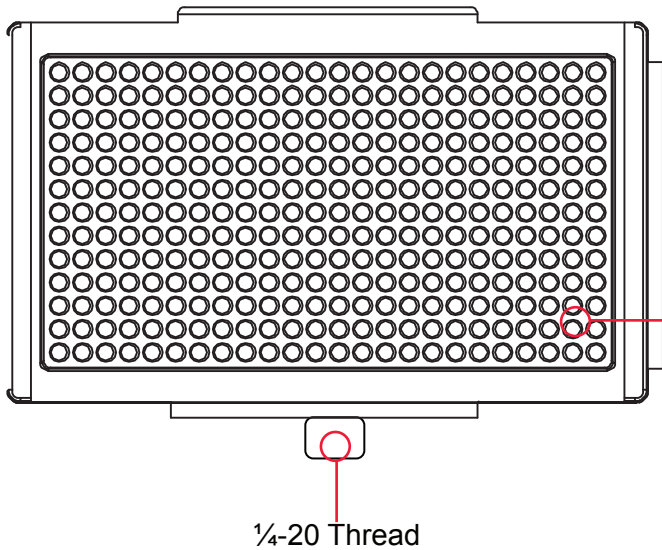
- Free service for one year from the day of purchase if the problem is caused by manufacturing errors.
- The components and maintenance service fee will be charged if the warranty period has expired.

Free Service will not be Provided in the Following Situations: (\* Even if the product is still within the warranty period.)

- Damage caused by abuse or misuse, dismantling, or changes to the product not made by the company.
- Damage caused by natural disaster, abnormal voltage, and environmental factors etc.

# iLED312-SP

## iLED312 LED Spot Light QUICKSTART GUIDE



**Warning:**

- Do not block the vents or look directly at the LED light while its on.
- The body of the light might get hot, after prolong use.

**SPECIFICATIONS:**

Bulb Type: 312 LEDs

Brightness: 5600K 2500lux/ 3ft  
4600K 5870lux/ 3ft  
3200K 2620lux/ 3ft

Color Temperature: 3200 K - 5600 K

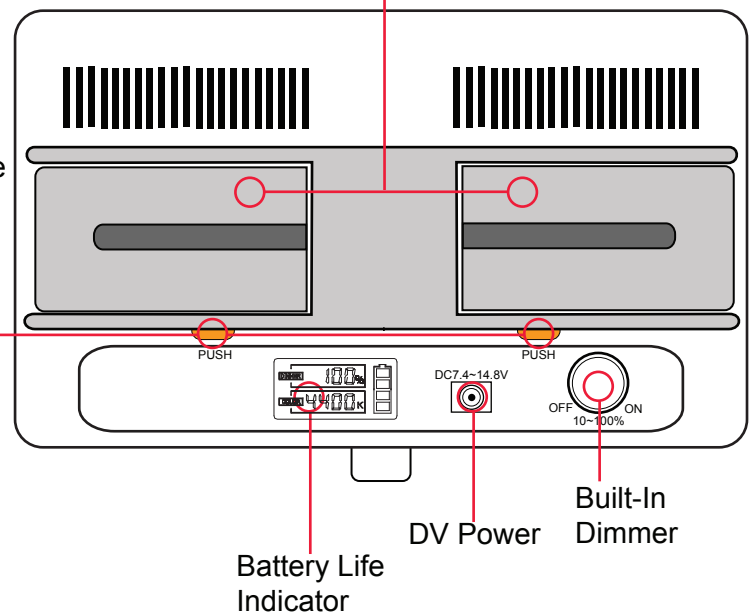
Voltage: 7.4V-14.8V

Weight (lbs): 1.2

Dimension (inch): 7 1/2 x 1 1/4 x 4 1/2

Battery Release

Sony "L" Series Battery



**Note:** Due to the way the Sony L 500 Series and 300 series batteries are designed, Sony MP-F330/F570/F550 batteries will not work on the left battery slot of the iLED312-SB.

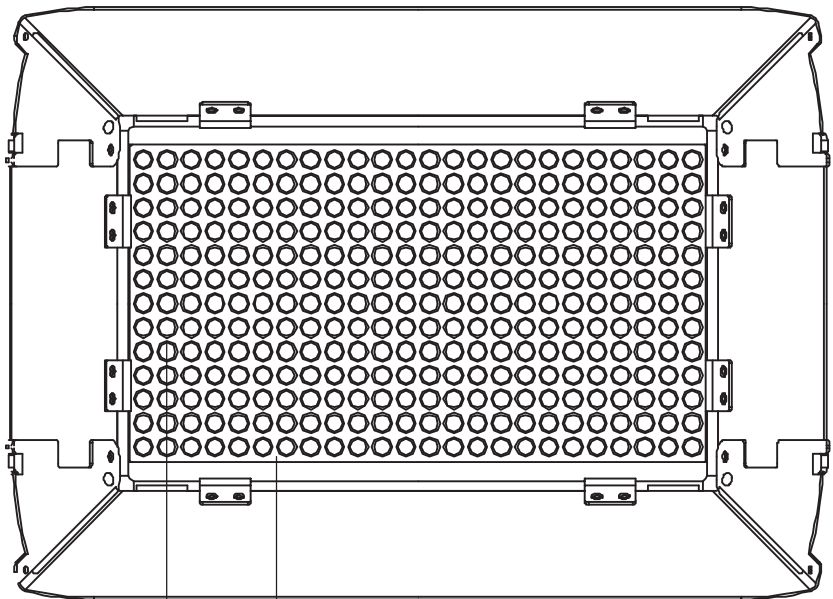
### What's included

- |  |   |
|--|---|
| <input type="checkbox"/> iLED312-SP Light        | <input type="checkbox"/> Soft Carrying Case |
| <input type="checkbox"/> AC Adapter              | <input type="checkbox"/> SM201 Shoe Mount   |
| <input type="checkbox"/> Sony "L" DV Battery x 2 | <input type="checkbox"/> Diffusion Filter   |
| <input type="checkbox"/> DV Battery Charger      | <input type="checkbox"/> Barn Doors         |
| <input type="checkbox"/> CTO Filter              |   |

ikan

# iLED312-SP

## iLED312 LED Spot Light QUICKSTART GUIDE



① Wide Angle LEDs

② Diffusion Filter



**Warning:**

- Do not block the vents or look directly at the LED light while its on.
- The body of the light might get hot, after prolong use.

① ②

③ Release Knob

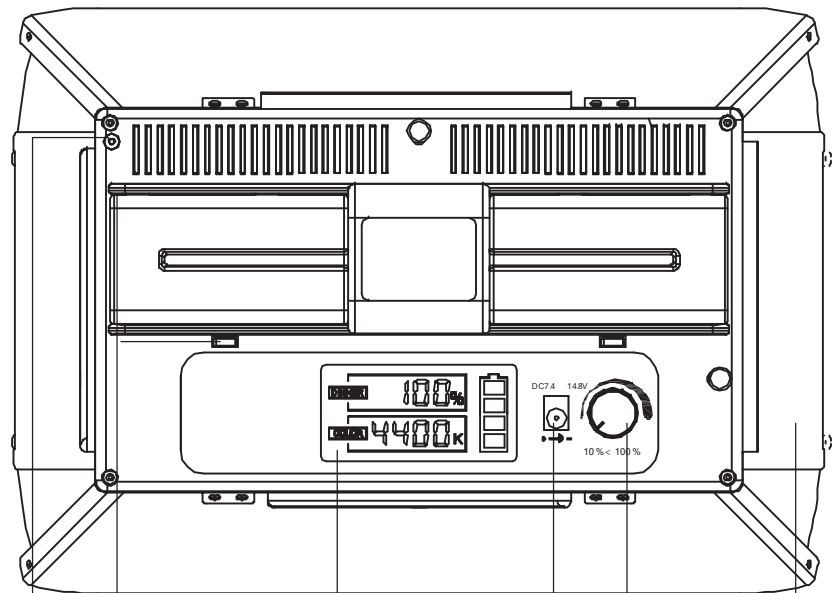
④ Battery Release

⑤ LCD Display

⑥ DV Power

⑦ Built-In Dimmer

⑧ Barndoors

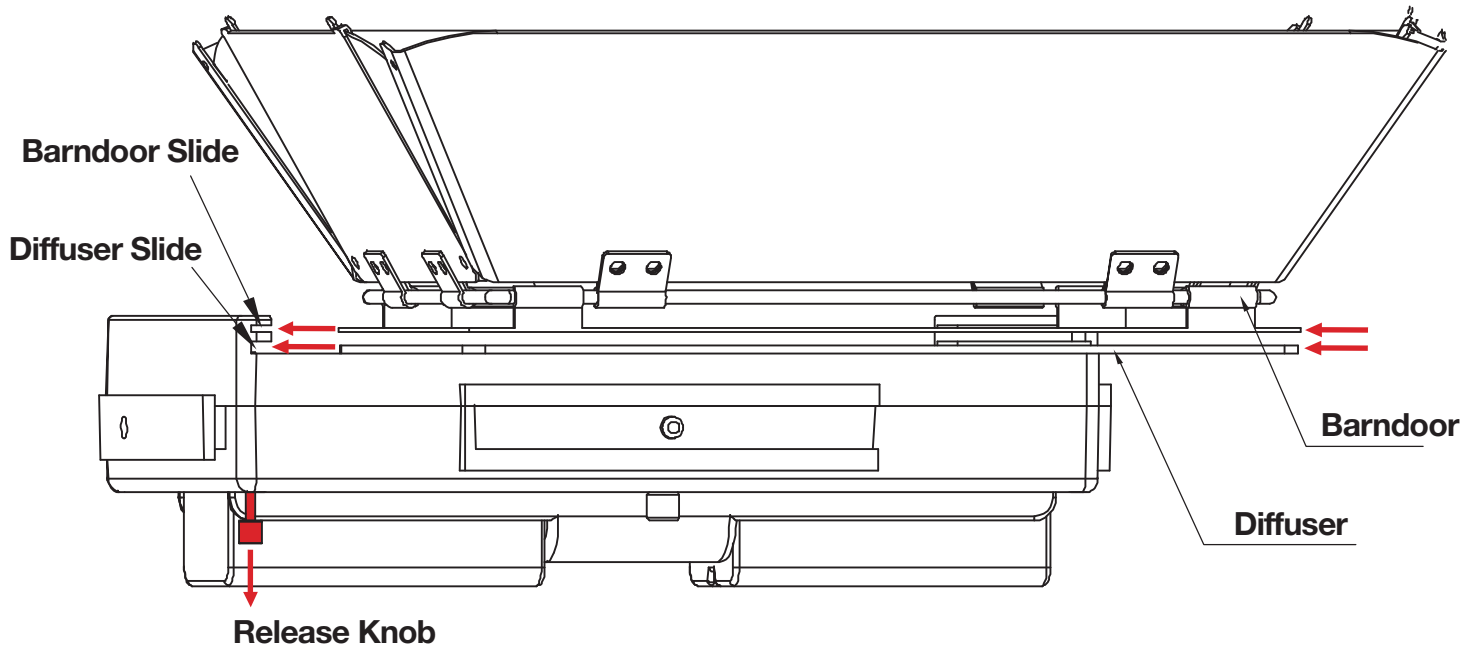


③ ④ ⑤ ⑥ ⑦ ⑧

ikan

# iLED312-SP

## iLED312 LED Spot Light QUICKSTART GUIDE

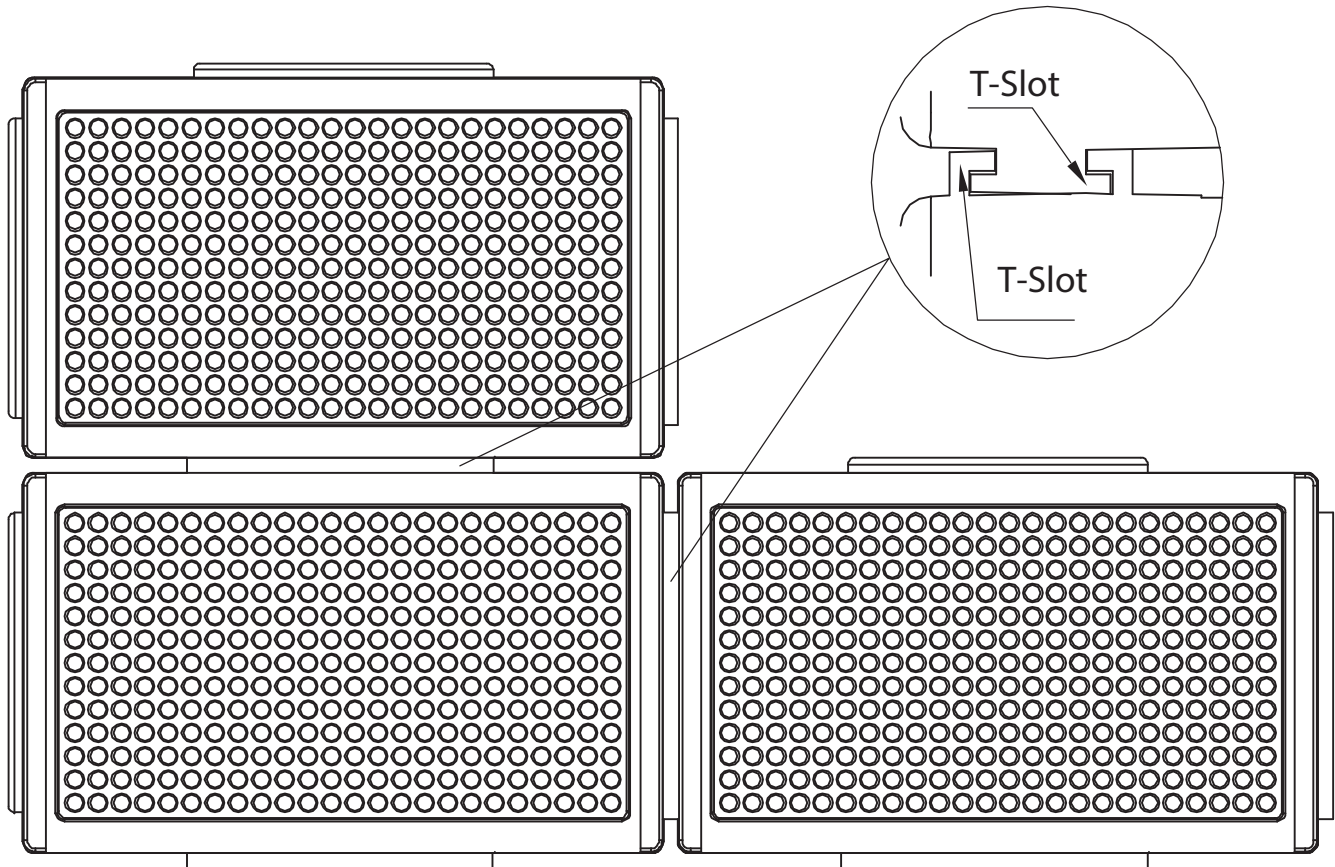


### ATTACHING THE BARNDOOR

The iLED312-SP light can attach quickly and easily to barndoors. Simply slide the barndoor along the diffuser slide until it locks into place. To release, pull down the knob and slide the barndoor out.

# iLED312-SP

## iLED312 LED Spot Light QUICKSTART GUIDE



### T-SLOT

The iLED312-SP light features T-slots on both the top and bottom and on the sides for easy attachment of multiple 312 lights.