

# LIGHTING PRODUCTS TECHNICAL GUIDE



GRAY WASHINGTON NEWS BUREAU

**This page intentionally left blank.**

**Ikan International LLC.**

11500 S. Sam Houston Pkwy West  
Houston, TX 77031  
*www.ikancorp.com*

**CONTACT**

sales@ikancorp.com  
Phone: 1.713.272.8822  
Fax: 713.995.4994

# TABLE OF CONTENTS

## Flat Panels

RAYDEN .....	2
LYRA SOFT .....	6
ONYX .....	15
MYLO .....	20
MIXED KITS .....	23

## Fresnels

STRYDER .....	24
HELIA .....	26
WHITE STAR .....	28

# Rayden Half x 1 Bi-Color Studio & Field LED Light Panel w/wo DMX Control

Models: RB5 / RBX5

The Rayden Half x 1 Studio and Field LED Light features bi-color adjustability ranging from 3200K-5600K with high CRI, 45-degree lenses. The half x 1 light is equivalent to a 400-Watt incandescent light. The 30-degree angled yoke, baby 5/8" and junior 1 1/8" combo pin attach to the light in a variety of ways. Steel tension knobs on the yoke lock firmly into place when in use on the light. The Rayden LED lights reach a maximum of 21 watts, making these versatile lights perfect for any situation.



## Pro Battery powered models available in multiple light kits.

RB5-2PT-KIT



RB5-3PT-KIT

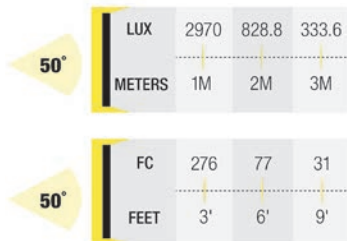


RB5-5PT-KIT

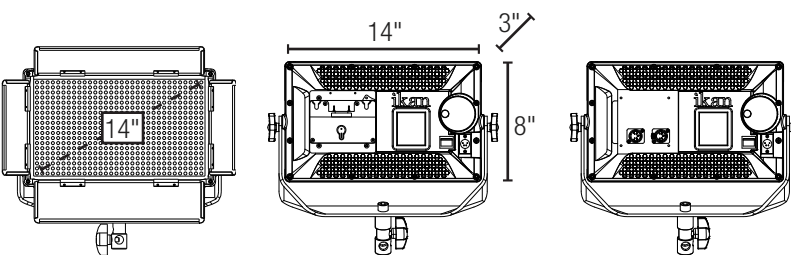
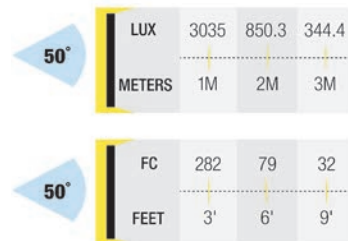


## Photometrics

### 3200K:



### 5600K:



Pro Battery

DMX

APPLICATION	
BEAM ANGLE	50 degrees
SUITABLE FOR	Studio / Field
MECHANICAL DATA	
BUILD MATERIAL	Heavy Duty Resin Plastic / Metal
LENS	45 degrees
MOUNTING	30 degree Angled Yoke
STAND USE	Baby 5/8" & Junior 1-1/8" Combo Pin
BARN DOORS	Permanent
ELECTRICAL DATA	
POWER INPUT	110-220VAC
OPERATING VOLTAGE	15VDC
FREQUENCY	50/60 Hz
MAX POWER CONSUMPTION	21 W
COLOR TEMPERATURE	Bi-Color 3200K-5600K
POWER LOSS	Last Scene Hold
POWER CABLE LENGTH	6 ft
PRO BATTERY OPTIONS	V-Mount/Gold Mount Plates Included
LIGHT SOURCE	608 x 0.06 Watt LEDs
CRI	95+
TLCI	96
LUMENS	1218 Lm
STANDARD COMPLIANCE	CE, FCC (Pro Battery) CE, DMX512 (DMX)
FUNCTIONALITY	
SIGNAL INPUT/OUTPUT	RF Control (RB5) DMX Control (RBX5)
CONTROL MODES	Brightness, Color (RB5) Brightness, Color, DMX Addressing (RBX5)
DMX UNIVERSE	DMX512; 5-pin In & Out
DIMMING RANGE	10 - 100% (Pro Battery) 0 - 100% (DMX)
COOLING	Active
LED LIFETIME	70,000 hours
DISPLAY	LCD Screen
LED TYPE	
STYLE OF LED	Lensed LEDs
ENVIRONMENTAL DATA	
OPERATION IN HUMIDITY	10 - 100%
OPERATION TEMPERATURE	10 - 110° F
INDOOR/OUTDOOR	Both
PHYSICAL DATA	
MODEL	RB5 (Pro Battery) RBX5 (DMX)
FIXTURE WEIGHT	4 lb / 1.8 kg
FIXTURE DIMENSIONS	14 x 8 x 3 in / 35.5 x 20.3 x 7.6 cm
SHIPPING WEIGHT	9 lb / 4.1 kg
SHIPPING DIMENSIONS	18 x 16 x 6 in / 45.7 x 40.6 x 15.2 cm
WHAT'S INCLUDED	
1 x Light Fixture	Includes either DMX or Pro Battery Mount
1 x Yoke Mount	
1 x Power Supply w/ Cable	
1 x Remote Control	Not Included for DMX
1 x Gold Mount Batt. Plate	Not Included for DMX
1 x V-Mount Batt. Plate	Not Included for DMX

# Rayden 1 x 1 Bi-Color Studio & Field LED Light Panel w/wo DMX Control

**Model: RB10 / RBX10**

The Rayden 1 x 1 Bi-Color Studio and Field LED light features bi-color adjustability ranging from 3200K-5600K with high CRI, 45-degree lenses. The 1 x 1 light is equivalent to a 900-watt incandescent light. The 30-degree angled yoke, baby 5/8" and junior 1 1/8" combo pin attach to the light in multiple ways for a variety of uses. Steel tension knobs on the yoke lock firmly into place when in use on the light. The Rayden LED lights reach a maximum of 40 watts, making these versatile lights perfect for any situation.



**Pro Battery powered models available in multiple light kits.**

RB10-2PT-KIT



RB10-3PT-KIT



RB10-5PT-KIT

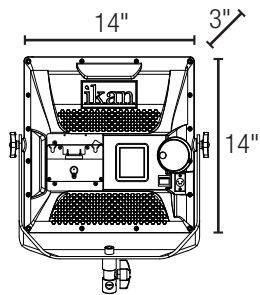
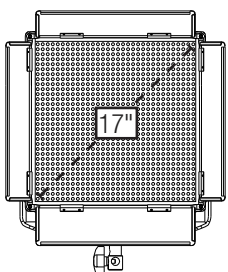


## Photometrics

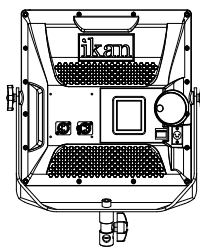
**3200K:**



**5600K:**



**Pro Battery**



**DMX**

APPLICATION	
BEAM ANGLE	50 degrees
SUITABLE FOR	Studio/Field
MECHANICAL DATA	
BUILD MATERIAL	Heavy Duty Resin Plastic / Metal
LENS	45 degrees
MOUNTING	30 degree Angled Yoke
STAND USE	Baby 5/8" & Junior 1-1/8" Combo Pin
BARN DOORS	Permanent
ELECTRICAL DATA	
POWER INPUT	110-220VAC
OPERATING VOLTAGE	15VDC
FREQUENCY	50/60 Hz
MAX POWER CONSUMPTION	40 W
COLOR TEMPERATURE	Bi-Color 3200K-5600K
POWER LOSS	Last Scene Hold
POWER CABLE LENGTH	6 ft
PRO BATTERY OPTIONS	V-Mount/Gold Mount Plates Included
LIGHT SOURCE	1184 x 0.06 Watt LEDs
CRI	95+
TLCI	96
LUMENS	4559 Lm
STANDARD COMPLIANCE	CE, FCC (Pro Battery) CE, DMX512 (DMX)
FUNCTIONALITY	
SIGNAL INPUT/OUTPUT	RF Control (RB10) DMX Control (RBX10)
CONTROL MODES	Brightness, Color (RB10) Brightness, Color, DMX Addressing (RBX10)
DMX UNIVERSE	DMX512; 5-pin In & Out
DIMMING RANGE	10 - 100% (Pro Battery) 0 - 100% (DMX)
COOLING	Active
LED LIFETIME	70,000 hours
DISPLAY	LCD Screen
LED TYPE	
STYLE OF LED	Lensed LEDs
ENVIRONMENTAL DATA	
OPERATION IN HUMIDITY	10 - 100%
OPERATION TEMPERATURE	10 - 110° F
INDOOR/OUTDOOR	Both
PHYSICAL DATA	
MODEL	RB10 (Pro Battery) RBX10 (DMX)
FIXTURE WEIGHT	6 lb / 2.7 kg
FIXTURE DIMENSIONS	14 x 14 x 3 in / 35.5 x 35.5 x 7.6 cm
SHIPPING WEIGHT	13 lb / 5.9 kg
SHIPPING DIMENSIONS	21 x 18 x 6 in / 53.3 x 45.7 x 15.2 cm
WHAT'S INCLUDED	
1 x Light Fixture	Includes either DMX or Pro Battery Mount
1 x Yoke Mount	
1 x Power Supply w/ Cable	
1 x Remote Control	Not Included for DMX
1 x Gold Mount Batt. Plate	Not Included for DMX
1 x V-Mount Batt. Plate	Not Included for DMX

# Rayden Half x 1 Daylight Studio & Field LED Light Panel w/wo DMX Control

Models: RW5 / RWX5

The Rayden Half x 1 Daylight Studio and Field LED light is comprised of 5600K daylight color temperature panels with high CRI, 45-degree lenses. The half x 1 light is equivalent to a 400-Watt incandescent light. The 30-degree angled yoke, baby 5/8" and junior 1 1/8" combo pin attach to the light in multiple ways for a variety of uses. Steel tension knobs on the yoke lock firmly into place when in use on the light. The Rayden LED lights reach a maximum of 38 watts, allowing these versatile lights to be plugged in anywhere.



## Pro Battery powered models available in multiple light kits.

RW5-2PT-KIT



RW5-3PT-KIT

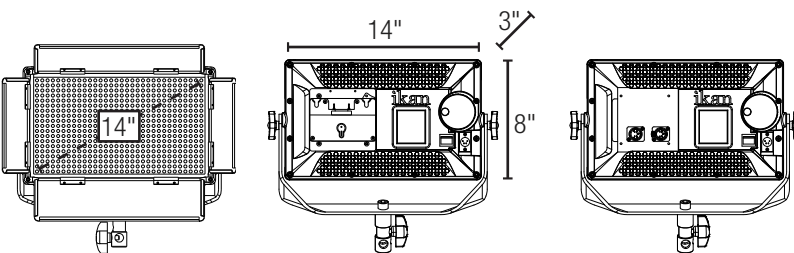
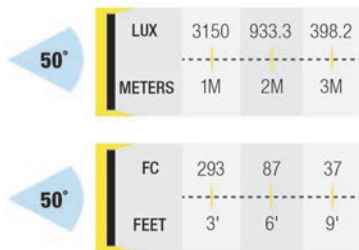


RW5-5PT-KIT



## Photometrics

5600K:



Pro Battery

DMX

APPLICATION	
BEAM ANGLE	50 degrees
SUITABLE FOR	Studio/Field
MECHANICAL DATA	
BUILD MATERIAL	Heavy Duty Resin Plastic / Metal
LENS	45 degrees
MOUNTING	30 degree Angled Yoke
STAND USE	Baby 5/8" & Junior 1-1/8" Combo Pin
BARN DOORS	Permanent
ELECTRICAL DATA	
POWER INPUT	110-220VAC
OPERATING VOLTAGE	15VDC
FREQUENCY	50/60 Hz
MAX POWER CONSUMPTION	38 W
COLOR TEMPERATURE	Daylight 5600K
POWER LOSS	Last Scene Hold
POWER CABLE LENGTH	6 ft
PRO BATTERY OPTIONS	V-Mount/Gold Mount Plates Included
LIGHT SOURCE	608 x 0.06 Watt LEDs
CRI	95+
TLCI	96
LUMENS	2506 Lm
STANDARD COMPLIANCE	CE, FCC (Pro Battery) CE, DMX512 (DMX)
FUNCTIONALITY	
SIGNAL INPUT/OUTPUT	RF Control (RW5) DMX Control (RWX5)
CONTROL MODES	Brightness, Color (RW5) Brightness, Color, DMX Addressing (RWX5)
DMX UNIVERSE	DMX512; 5-pin In & Out
DIMMING RANGE	10 - 100% (Pro Battery) 0 - 100% (DMX)
COOLING	Active
LED LIFETIME	70,000 hours
DISPLAY	LCD Screen
LED TYPE	
STYLE OF LED	Lensed LEDs
ENVIRONMENTAL DATA	
OPERATION IN HUMIDITY	10 - 100%
OPERATION TEMPERATURE	10 - 110° F
INDOOR/OUTDOOR	Both
PHYSICAL DATA	
MODEL	RW5 (Pro Battery) RWX5 (DMX)
FIXTURE WEIGHT	4 lb / 1.8 kg
FIXTURE DIMENSIONS	14 x 8 x 3 in / 35.5 x 20.3 x 7.6 cm
SHIPPING WEIGHT	9 lb / 4.1 kg
SHIPPING DIMENSIONS	18 x 16 x 6 in / 45.7 x 40.6 x 15.2 cm
WHAT'S INCLUDED	
1 x Light Fixture	Includes either DMX or Pro Battery Mount
1 x Yoke Mount	
1 x Power Supply w/ Cable	
1 x Remote Control	Not Included for DMX
1 x Gold Mount Batt. Plate	Not Included for DMX
1 x V-Mount Batt. Plate	Not Included for DMX

# Rayden 1 x 1 Daylight Studio & Field LED Light Panel w/wo DMX Control

Model: RW10 / RWX10

The Rayden 1 x 1 Daylight Studio and Field LED light is comprised of 5600K daylight color temperature panels with high CRI, 45-degree lenses. The 1 x 1 light is equivalent to a 900-Watt incandescent light. The 30-degree angled yoke, baby 5/8" and junior 1 1/8" combo pin attach to the light in multiple ways for a variety of uses. Steel tension knobs on the yoke lock firmly into place when in use on the light. The Rayden LED lights reach a maximum of 88 watts, allowing these versatile lights to be plugged in anywhere.



## Pro Battery powered models available in multiple light kits.

RW10-2PT-KIT



RW10-3PT-KIT

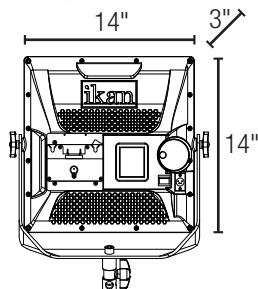
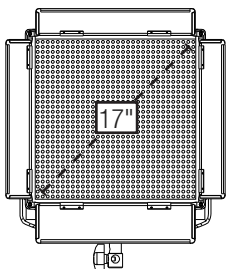
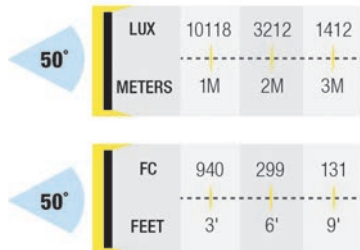


RW10-5PT-KIT

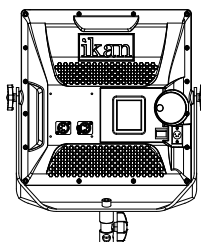


## Photometrics

5600K:



Pro Battery



DMX

APPLICATION	
BEAM ANGLE	50 degrees
SUITABLE FOR	Studio/Field
MECHANICAL DATA	
BUILD MATERIAL	Heavy Duty Resin Plastic / Metal
LENS	45 degrees
MOUNTING	30 degree Angled Yoke
STAND USE	Baby 5/8" & Junior 1-1/8" Combo Pin
BARN DOORS	Permanent
ELECTRICAL DATA	
POWER INPUT	110-220VAC
OPERATING VOLTAGE	15VDC
FREQUENCY	50/60 Hz
MAX POWER CONSUMPTION	88 W
COLOR TEMPERATURE	Daylight 5600K
POWER LOSS	Last Scene Hold
POWER CABLE LENGTH	6 ft
PRO BATTERY OPTIONS	V-Mount/Gold Mount Plates Included
LIGHT SOURCE	1184 x 0.06 Watt LEDs
CRI	95+
TLCI	96
LUMENS	4971 Lm
STANDARD COMPLIANCE	CE, FCC (Pro Battery) CE, DMX512 (DMX)
FUNCTIONALITY	
SIGNAL INPUT/OUTPUT	RF Control (RW10) DMX Control (RWX10)
CONTROL MODES	Brightness, Color (RW10) Brightness, Color, DMX Addressing (RWX10)
DMX UNIVERSE	DMX512; 5-pin In & Out
DIMMING RANGE	10 - 100% (Pro Battery) 0 - 100% (DMX)
COOLING	Active
LED LIFETIME	70,000 hours
DISPLAY	LCD Screen
LED TYPE	
STYLE OF LED	Lensed LEDs
ENVIRONMENTAL DATA	
OPERATION IN HUMIDITY	10 - 100%
OPERATION TEMPERATURE	10 - 110° F
INDOOR/OUTDOOR	Both
PHYSICAL DATA	
MODEL	RW10 (Pro Battery) RWX10 (DMX)
FIXTURE WEIGHT	6 lb / 2.7 kg
FIXTURE DIMENSIONS	14 x 14 x 3 in / 35.5 x 35.5 x 7.6 cm
SHIPPING WEIGHT	13 lb / 5.9 kg
SHIPPING DIMENSIONS	21 x 18 x 6 in / 53.3 x 45.7 x 15.2 cm
WHAT'S INCLUDED	
1 x Light Fixture	Includes either DMX or Pro Battery Mount
1 x Yoke Mount	
1 x Power Supply w/ Cable	
1 x Remote Control	Not Included for DMX
1 x Gold Mount Batt. Plate	Not Included for DMX
1 x V-Mount Batt. Plate	Not Included for DMX

# Lyra Half x 1 Bi-Color Studio & Field LED Soft Light Panel w/wo DMX Control

Models: LB5 / LBX5

The Lyra Half x 1 Bi-Color Studio and Field LED Soft Light combines high CRI LEDs with an integrated soft panel to create a bright, yet soft beam that wraps around the subject and casts a single source shadow. The soft light is equivalent to a 350-Watt incandescent light and features bi-color adjustability ranging from 3200K-5600K with the brightness maintaining consistency across all color temperature settings. The 110-degree wide beam angle provides a wide wash of light over a large area. With a maximum of 39 watts, the Lyra soft light can plug in almost anywhere.



## Pro Battery powered models available in multiple light kits.

LB5-2PT-KIT



LB5-3PT-KIT

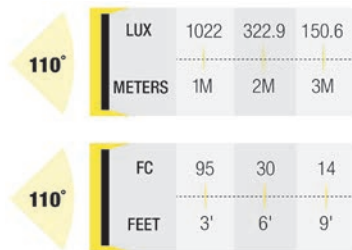


LB5-5PT-KIT

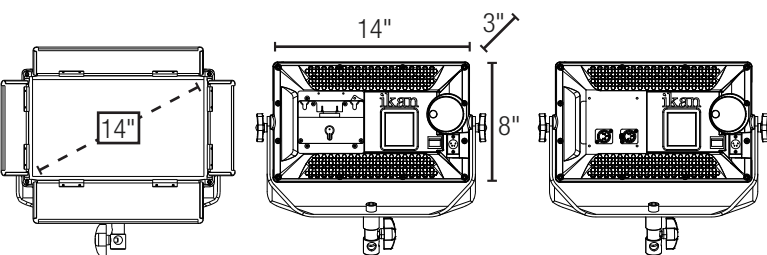
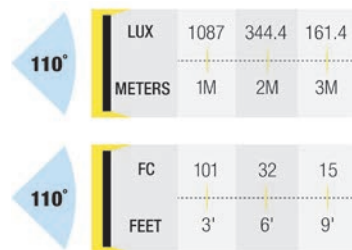


## Photometrics

3200K:



5600K:



Pro Battery

DMX

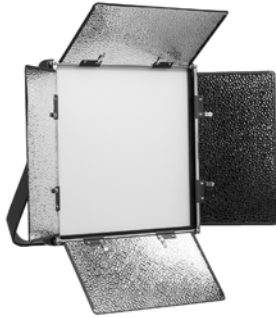
APPLICATION	
BEAM ANGLE	110 degrees
SUITABLE FOR	Studio / Field
MECHANICAL DATA	
BUILD MATERIAL	Heavy Duty Resin Plastic / Metal
LENS	Permanent 1/2 Stop Soft Diffusion Panel
MOUNTING	30 Degree Angled Yoke
STAND USE	Baby 5/8" & Junior 1-1/8" Combo Pin
BARN DOORS	Permanent
ELECTRICAL DATA	
POWER INPUT	110-220VAC
OPERATING VOLTAGE	15VDC
FREQUENCY	50/60 Hz
MAX POWER CONSUMPTION	39 W
COLOR TEMPERATURE	Bi-Color 3200K-5600K
POWER LOSS	Last Scene Hold
POWER CABLE LENGTH	6 ft
PRO BATTERY OPTIONS	V-Mount/Gold Mount Plates Included
LIGHT SOURCE	510 x 0.2 Watt LEDs
CRI	95+
TLCI	97
LUMENS	2673 Lm
STANDARD COMPLIANCE	CE, FCC (Pro Battery) CE, DMX512 (DMX)
FUNCTIONALITY	
SIGNAL INPUT/OUTPUT	RF Control (LB5) DMX Control (LBX5)
CONTROL MODES	Brightness, Color (LB5) Brightness, Color, DMX Addressing (LBX5)
DMX UNIVERSE	DMX512; 5-pin In & Out
DIMMING RANGE	10 - 100% (Pro Battery) 0 - 100% (DMX)
COOLING	Active
LED LIFETIME	70,000 hours
DISPLAY	LCD Screen
LED TYPE	
STYLE OF LED	Chip LEDs
ENVIRONMENTAL DATA	
OPERATION IN HUMIDITY	10 - 100%
OPERATION TEMPERATURE	10 - 110° F
INDOOR/OUTDOOR	Both
PHYSICAL DATA	
MODEL	LB5 (Pro Battery) LBX5 (DMX)
FIXTURE WEIGHT	4 lbs / 1.8 kg
FIXTURE DIMENSIONS	14 x 8 x 3 in / 35.5 x 20.3 x 7.6 cm
SHIPPING WEIGHT	9 lbs / 4.1 kg
SHIPPING DIMENSIONS	18 x 16 x 6 in / 45.7 x 40.6 x 15.2 cm
WHAT'S INCLUDED	
1 x Soft Light Fixture	Includes either DMX or Pro Battery Mount
1 x Yoke Mount	
1 x Power Supply w/ Cable	
1 x Remote Control	Not Included for DMX
1 x Gold Mount Batt. Plate	Not Included for DMX
1 x V-Mount Batt. Plate	Not Included for DMX



# Lyra 1 x 1 Bi-Color Studio & Field LED Soft Light Panel w/wo DMX Control

Model: LB10 / LBX10

The Lyra 1 x 1 Bi-Color Studio and Field LED Soft Light is equivalent to an 850-Watt incandescent light. The soft light's bi-color adjustability ranges from 3200K-5600K, and the brightness is consistent across all color temperatures. The 110-degree wide beam angle easily illuminates large areas. The 30-degree angled yoke, baby 5/8" and junior 1 1/8" combo pin attaches the light to any stand. With a maximum of 74 watts, this Lyra soft light can plug in almost anywhere.



## Pro Battery powered models available in multiple light kits.



### APPLICATION

BEAM ANGLE	110 degrees
SUITABLE FOR	Studio / Field

### MECHANICAL DATA

BUILD MATERIAL	Heavy Duty Resin Plastic / Metal
LENS	Permanent 1/2 Stop Soft Diffusion Panel
MOUNTING	30 Degree Angled Yoke
STAND USE	Baby 5/8" & Junior 1-1/8" Combo Pin
BARN DOORS	Permanent

### ELECTRICAL DATA

POWER INPUT	110-220VAC
OPERATING VOLTAGE	15VDC
FREQUENCY	50/60 Hz
MAX POWER CONSUMPTION	74 W
COLOR TEMPERATURE	Bi-Color 3200K-5600K
POWER LOSS	Last Scene Hold
POWER CABLE LENGTH	6 ft
PRO BATTERY OPTIONS	V-Mount/Gold Mount Plates Included
LIGHT SOURCE	510 x 0.2 Watt LEDs
CRI	95+
TLCI	97
LUMENS	5263 Lm
STANDARD COMPLIANCE	CE, FCC (Pro-Battery) CE, DMX512 (DMX)

### FUNCTIONALITY

SIGNAL INPUT/OUTPUT	RF Control (LB10) DMX Control (LBX10)
CONTROL MODES	Brightness, Color (LB10) Brightness, Color, DMX Addressing (LBX10)
DMX UNIVERSE	DMX512; 5-pin In & Out
DIMMING RANGE	10 - 100% (Pro Battery) 0 - 100% (DMX)
COOLING	Active
LED LIFETIME	70,000 hours
DISPLAY	LCD Screen

### LED TYPE

STYLE OF LED	Chip LEDs
--------------	-----------

### ENVIRONMENTAL DATA

OPERATION IN HUMIDITY	10 - 100%
OPERATION TEMPERATURE	10 - 110° F
INDOOR/OUTDOOR	Both

### PHYSICAL DATA

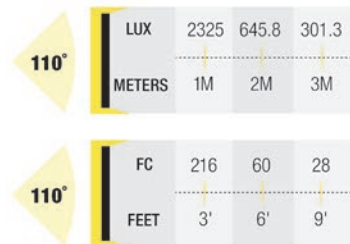
MODEL	LB10 (Pro Battery) LBX10 (DMX)
FIXTURE WEIGHT	6 lb / 2.7 kg
FIXTURE DIMENSIONS	14 x 14 x 3 in / 35.5 x 35.5 x 7.6 cm
SHIPPING WEIGHT	13 lbs / 5.9 kg
SHIPPING DIMENSIONS	21 x 18 x 6 in / 53.3 x 45.7 x 15.2cm

### WHAT'S INCLUDED

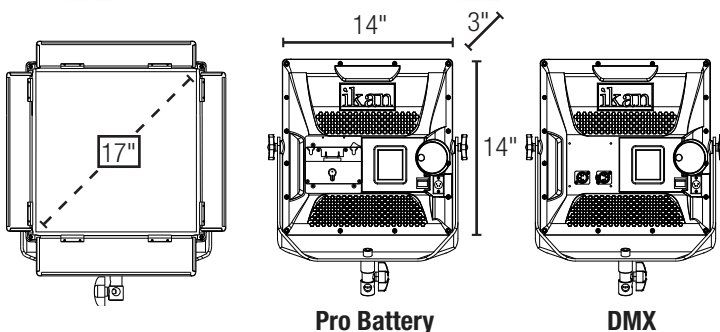
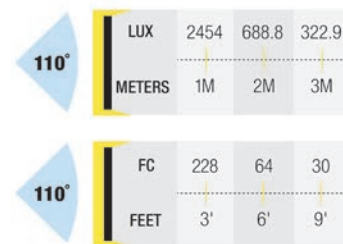
1 x Soft Light Fixture	Includes either DMX or Pro Battery Mount
1 x Yoke Mount	
1 x Power Supply w/ Cable	
1 x Remote Control	Not Included for DMX
1 x Gold Mount Batt. Plate	Not Included for DMX
1 x V-Mount Batt. Plate	Not Included for DMX

## Photometrics

3200K:



5600K:



Pro Battery

DMX

# Lyra Half x 1 Daylight Studio & Field LED Soft Light Panel w/wo DMX Control

Model: LW5 / LWX5

The Lyra Half x 1 Daylight Studio and Field LED Soft Light combines high CRI LEDs with an integrated soft panel to create a bright, yet soft beam that wraps around the subject and casts a single source shadow. The soft light is equivalent to a 350 watt incandescent light. The 110-degree wide beam angle provides a wide wash of light over a large area. With a maximum of 38 watts, the Lyra soft light can plug in almost anywhere.



## Pro Battery powered models available in multiple light kits.

LW5-2PT-KIT



LW5-3PT-KIT

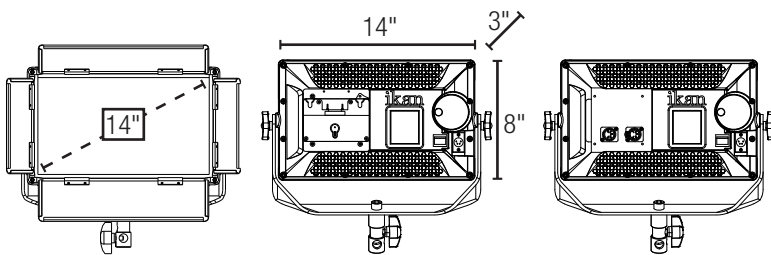


LW5-5PT-KIT



## Photometrics

5600K:



Pro Battery

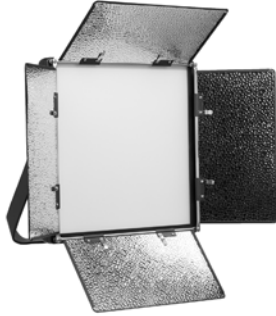
DMX

APPLICATION	
BEAM ANGLE	110 degrees
SUITABLE FOR	Studio / Field
MECHANICAL DATA	
BUILD MATERIAL	Heavy Duty Resin Plastic / Metal
LENS	Permanent 1/2 Stop Soft Diffusion Panel
MOUNTING	30 Degree Angled Yoke
STAND USE	Baby 5/8" & Junior 1-1/8" Combo Pin
BARN DOORS	Permanent
ELECTRICAL DATA	
POWER INPUT	110-220VAC
OPERATING VOLTAGE	15VDC
FREQUENCY	50/60 Hz
MAX POWER CONSUMPTION	38 W
COLOR TEMPERATURE	Daylight 5600K
POWER LOSS	Last Scene Hold
POWER CABLE LENGTH	6 ft
PRO BATTERY OPTIONS	V-Mount/Gold Mount Plates Included
LIGHT SOURCE	510 x 0.2 Watt LEDs
CRI	95+
TLCI	97
LUMENS	2673 Lm
STANDARD COMPLIANCE	CE, FCC (Pro Battery) CE, DMX512 (DMX)
FUNCTIONALITY	
SIGNAL INPUT/OUTPUT	RF Control (LW5) DMX Control (LWX5)
CONTROL MODES	Brightness, Color (LW5) Brightness, Color, DMX Addressing (LWX5)
DMX UNIVERSE	DMX512; 5-pin In & Out
DIMMING RANGE	10 - 100% (Pro Battery) 0 - 100% (DMX)
COOLING	Active
LED LIFETIME	70,000 hours
DISPLAY	LCD Screen
LED TYPE	
STYLE OF LED	Chip LEDs
ENVIRONMENTAL DATA	
OPERATION IN HUMIDITY	10 - 100%
OPERATION TEMPERATURE	10 - 110° F
INDOOR/OUTDOOR	Both
PHYSICAL DATA	
MODEL	LW5 (Pro Battery) LWX5 (DMX)
FIXTURE WEIGHT	4 lb / 1.8 kg
FIXTURE SIZE	14 x 8 x 3 in / 35.5 x 20.3 x 7.6 cm
SHIPPING WEIGHT	9 lb / 4.1 kg
SHIPPING DIMENSIONS	18 x 16 x 6 in / 45.7 x 40.6 x 15.2 cm
WHAT'S INCLUDED	
1 x Soft Light Fixture	Includes either DMX or Pro Battery Mount
1 x Yoke Mount	
1 x Power Supply w/ Cable	
1 x Remote Control	Not Included for DMX
1 x Gold Mount Batt. Plate	Not Included for DMX
1 x V-Mount Batt. Plate	Not Included for DMX

# Lyra 1 x 1 Daylight Studio & Field LED Soft Light Panel w/wo DMX Control

Model: LW10 / LWX10

The Lyra 1 x 1 Daylight Studio and Field LED Soft Light combines high CRI LEDs with an integrated 5600K color temperature soft panel to create a bright, yet soft beam that wraps around your subject and casts a single source shadow. The soft light is equivalent to an 850-watt incandescent soft light. The 110-degree wide beam angle provides a wide wash of light over a large area. The 30-degree angled yoke, baby 5/8" and junior 1 1/8" combo pin attach the light to any stand. With a maximum of 76 watts, this Lyra soft light plugs in almost anywhere.



## Pro Battery powered models available in multiple light kits.

LW10-2PT-KIT



LW10-3PT-KIT

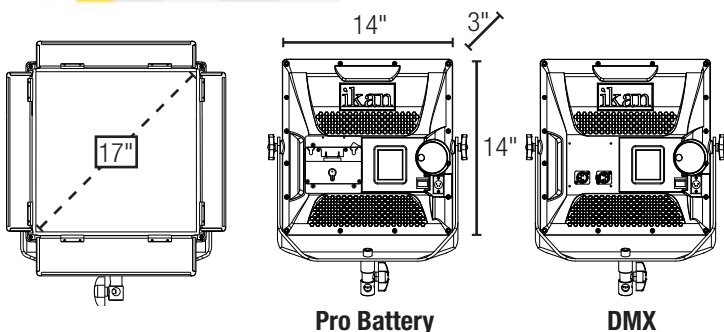


LW10-5PT-KIT



## Photometrics

5600K:



Pro Battery

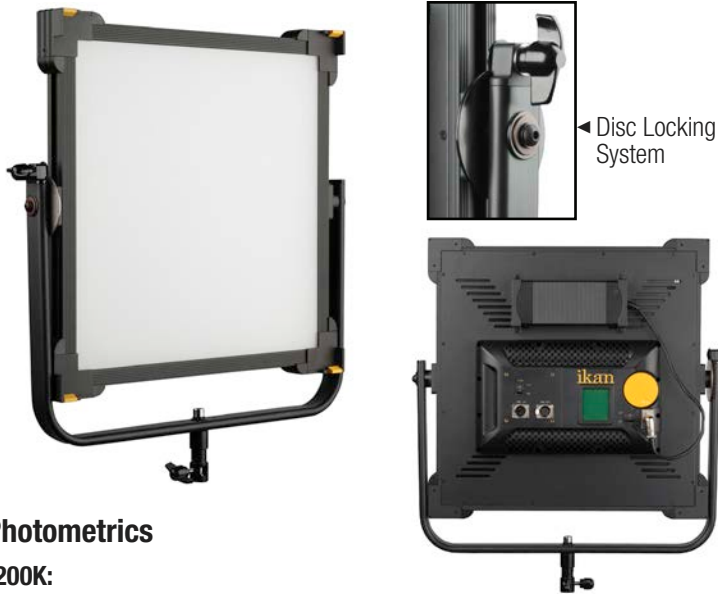
DMX

APPLICATION	
BEAM ANGLE	110 degrees
SUITABLE FOR	Studio / Field
MECHANICAL DATA	
BUILD MATERIAL	Heavy Duty Resin Plastic / Metal
LENS	Permanent 1/2 Stop Soft Diffusion Panel
MOUNTING	30 Degree Angled Yoke
STAND USE	Baby 5/8" & Junior 1-1/8" Combo Pin
BARN DOORS	Permanent
ELECTRICAL DATA	
POWER INPUT	110-220VAC
OPERATING VOLTAGE	15VDC
FREQUENCY	50/60 Hz
MAX POWER CONSUMPTION	176 W
COLOR TEMPERATURE	Daylight 5600K
POWER LOSS	Last Scene Hold
POWER CABLE LENGTH	6 ft
PRO BATTERY OPTIONS	V-Mount/Gold Mount Plates Included
LIGHT SOURCE	510 x 0.2 Watt LEDs
CRI	95+
TLCI	97
LUMENS	5335 Lm
STANDARD COMPLIANCE	CE, FCC (Pro Battery) CE, DMX512 (DMX)
FUNCTIONALITY	
SIGNAL INPUT/OUTPUT	RF Control (LW10) DMX Control (LWX10)
CONTROL MODES	Brightness, Color (LW10) Brightness, Color, DMX Addressing (LWX10)
DMX UNIVERSE	DMX512; 5-pin In & Out
DIMMING RANGE	10 - 100% (Pro Battery) 0 - 100% (DMX)
COOLING	Active
LED LIFETIME	70,000 hours
DISPLAY	LCD Screen
LED TYPE	
STYLE OF LED	Chip LEDs
ENVIRONMENTAL DATA	
OPERATION IN HUMIDITY	10 - 100%
OPERATION TEMPERATURE	10 - 110° F
INDOOR/OUTDOOR	Both
PHYSICAL DATA	
MODEL	LW10 (Pro Battery) LWX10 (DMX)
FIXTURE WEIGHT	6 lb / 2.7 kg
FIXTURE SIZE	14 x 14 x 3 in / 35.5 x 35.5 x 7.6 cm
SHIPPING WEIGHT	13 lb / 5.9 kg
SHIPPING DIMENSIONS	21 x 18 x 6 in / 53.3 x 45.7 x 15.2 cm
WHAT'S INCLUDED	
1 x Soft Light Fixture	Includes either DMX or Pro Battery Mount
1 x Yoke Mount	
1 x Power Supply w/ Cable	
1 x Remote Control	Not Included for DMX
1 x Gold Mount Batt. Plate	Not Included for DMX
1 x V-Mount Batt. Plate	Not Included for DMX

# Lyra 1.5 x 1.5 Bi-Color Studio Soft Panel LED Light w/ DMX Control

Model: LBX15

The Lyra 1.5 x 1.5 Bi-Color Studio Soft LED Light features high CRI soft panels with 3200L-5600K bi-color adjustability. The wide 110-degree angled beam creates a bright soft light for large areas with clean shadows. The heavy-duty yoke and baby 5/8"/junior 1 1/8" combo pin attach to any stand or studio set. The quick set disk locking system secures the light in place when aiming the fixture. The soft light is ideal for any broadcast situation.



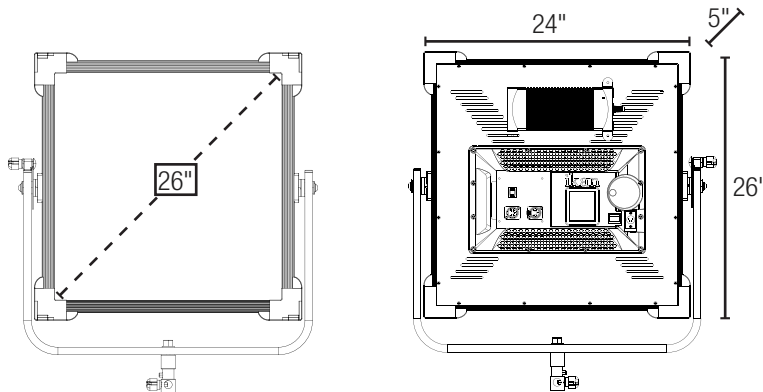
## Photometrics

3200K:

110°	FC	540	226	117	67	50	37	29	23	19	15
	FEET	2'	4'	6'	8'	10'	12'	14'	16'	18'	20'
110°	LUX	5812	2432	1259	721	538	398	312	247	204	161
	METERS	0.6M	1.2M	1.8M	2.4M	3M	3.6M	4.2M	4.8M	5.4M	6.1M

5600K:

110°	FC	592	244	127	73	53	40	31	25	20	16
	FEET	2'	4'	6'	8'	10'	12'	14'	16'	18'	20'
110°	LUX	6372	2626	1367	785	570	430	333	269	215	172
	METERS	0.6M	1.2M	1.8M	2.4M	3M	3.6M	4.2M	4.8M	5.4M	6.1M



APPLICATION	
BEAM ANGLE	110 degrees
SUITABLE FOR	Studio / Field

MECHANICAL DATA	
BUILD MATERIAL	Heavy Duty Resin Plastic / Metal
LENS	Permanent 1/2 Stop Soft Diffusion Panel
MOUNTING	Yoke Mount
STAND USE	Baby 5/8" & Junior 1-1/8" Combo Pin
BARN DOORS	Optional
HONEYCOMB	Optional

ELECTRICAL DATA	
POWER INPUT	110-240VAC
OPERATING VOLTAGE	27.2VDC
FREQUENCY	50/60 Hz
MAX POWER CONSUMPTION	120 W
COLOR TEMPERATURE	Bi-Color 3200K-5600K
POWER LOSS	Last Scene Hold
POWER CABLE LENGTH	6 ft
PRO BATTERY OPTIONS	N/A
LIGHT SOURCE	1.0 Watt LEDs
CRI	95+
TLCI	97
STANDARD COMPLIANCE	CE, FCC

FUNCTIONALITY	
SIGNAL INPUT/OUTPUT	DMX Control
CONTROL MODES	Brightness, Color, DMX Addressing
DMX UNIVERSE	DMX512; 5-pin In & Out
DIMMING RANGE	0 - 100%
COOLING	Active / Passive
LED LIFETIME	70,000 hours
DISPLAY	LCD Screen

LED TYPE	
STYLE OF LED	Chip LEDs

ENVIRONMENTAL DATA	
OPERATION IN HUMIDITY	10 - 100%
OPERATION TEMPERATURE	10 - 110° F
INDOOR/OUTDOOR	Both

PHYSICAL DATA	
MODEL	LBX15
FIXTURE WEIGHT	19 lbs / 8.61 kg
FIXTURE DIMENSIONS	24 x 26 x 5 in / 60.9 x 66 x 12.7 cm
SHIPPING WEIGHT	29 lbs / 13.1 kg
SHIPPING DIMENSIONS	32 x 28 x 7 in / 81.3 x 71.1 x 17.8 cm

WHAT'S INCLUDED	
1 x LBX15 Light Fixture	
1 x Yoke Mount	
1 x Power Supply w/ Cable	

# Lyra 1 x 2 Bi-Color Studio Soft Panel LED Light w/ DMX Control

Model: LBX20

The 1 x 2 Bi-Color Studio Soft LED Light features high CRI and 3200K-5600K bi-color adjustability. The wide 110-degree beam lights a large area with clean shadows, making the light great for any broadcast. A heavy-duty yoke, baby 5/8" and junior 1 1/8" combo pin attach to any stand or use in any studio configurations. The quick set disk locking system secures the light in place when aiming the fixture.



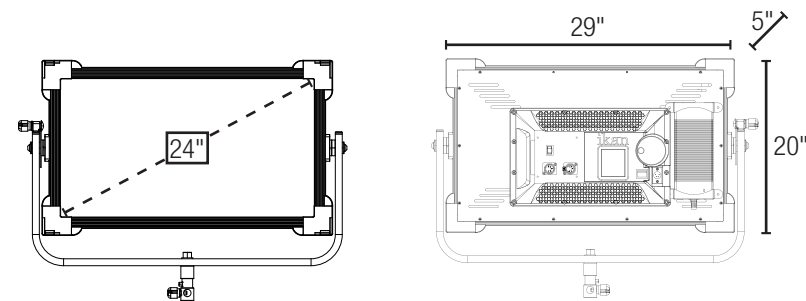
## Photometrics

### 3200K:

110°	FC	586	215	113	65	48	36	29	23	19	15
	FEET	2'	4'	6'	8'	10'	12'	14'	16'	18'	20'
110°	LUX	5812	2432	1259	721	538	398	312	236	182	150
	METERS	0.6M	1.2M	1.8M	2.4M	3M	3.6M	4.2M	4.8M	5.4M	6.1M

### 5600K:

110°	FC	652	240	127	74	54	41	32	25	20	16
	FEET	2'	4'	6'	8'	10'	12'	14'	16'	18'	20'
110°	LUX	7018	2583	1367	796	581	441	344	269	215	172
	METERS	0.6M	1.2M	1.8M	2.4M	3M	3.6M	4.2M	4.8M	5.4M	6.1M



## APPLICATION

BEAM ANGLE	110 degrees
SUITABLE FOR	Studio / Field

## MECHANICAL DATA

BUILD MATERIAL	Heavy Duty Resin Plastic / Metal
LENS	Permanent 1/2 Stop Soft Diffusion Panel
MOUNTING	Yoke Mount
STAND USE	Baby 5/8" & Junior 1-1/8" Combo Pin
BARN DOORS	Optional
HONEYCOMB	Optional

## ELECTRICAL DATA

POWER INPUT	110-240VAC
OPERATING VOLTAGE	27.2VDC
FREQUENCY	50/60 Hz
MAX POWER CONSUMPTION	206 W
COLOR TEMPERATURE	Bi-Color 3200K-5600K
POWER LOSS	Last Scene Hold
POWER CABLE LENGTH	6 ft
PRO BATTERY OPTIONS	N/A
LIGHT SOURCE	1.0 Watt LEDs
CRI	95+
TLCI	97
STANDARD COMPLIANCE	CE, FCC

## FUNCTIONALITY

SIGNAL INPUT/OUTPUT	DMX Control
CONTROL MODES	Brightness, Color, DMX Addressing
DMX UNIVERSE	DMX512; 5-pin In & Out
DIMMING RANGE	0 - 100%
COOLING	Active / Passive
LED LIFETIME	70,000 hours
DISPLAY	LCD Screen

## LED TYPE

STYLE OF LED	Chip LEDs
--------------	-----------

## ENVIRONMENTAL DATA

OPERATION IN HUMIDITY	10 - 100%
OPERATION TEMPERATURE	10 - 110° F
INDOOR/OUTDOOR	Both

## PHYSICAL DATA

MODEL	LBX20
FIXTURE WEIGHT	18 lbs / 8.16 kg
FIXTURE DIMENSIONS	29 x 20 x 5 in / 73.6 x 50.8 x 12.7 cm
SHIPPING WEIGHT	25 lbs / 11.3 kg
SHIPPING DIMENSIONS	31 x 26 x 7 in / 78.7 x 66 x 17.8 cm

## WHAT'S INCLUDED

1 x LBX20 Light Fixture	
1 x Yoke Mount	
1 x Power Supply w/ Cable	

# Lyra 2 x 2 Bi-Color Studio Soft Panel LED Light w/ DMX Control

Model: LBX25

The Lyra 2 x 2 Bi-Color Studio Soft LED Light includes 2 x 2 LED soft panels with high CRI and 3200K-5600K adjustability. The wide 110-degree beam lights a large area with clean shadows, making the light great for any broadcast. A heavy-duty yoke, baby 5/8" and junior 1 1/8" combo pin attach to any stand or use in any studio configurations. The quick set disk locking system secures the light in place when aiming the fixture.



## Photometrics

3200K:

110°	FC	762	340	171	102	76	56	43	34	28	23
	FEET	2'	4'	6'	8'	10'	12'	14'	16'	18'	20'
110°	LUX	8202	3659	1840	1097	818	602	462	365	301	247
	METERS	0.6M	1.2M	1.8M	2.4M	3M	3.6M	4.2M	4.8M	5.4M	6.1M

5600K:

110°	FC	1005	437	223	138	98	74	57	39	37	30
	FEET	2'	4'	6'	8'	10'	12'	14'	16'	18'	20'
110°	LUX	10817	4703	2400	1485	1054	796	613	419	398	322
	METERS	0.6M	1.2M	1.8M	2.4M	3M	3.6M	4.2M	4.8M	5.4M	6.1M

### APPLICATION

BEAM ANGLE	110 degrees
SUITABLE FOR	Studio / Field

### MECHANICAL DATA

BUILD MATERIAL	Heavy Duty Resin Plastic / Metal
LENS	Permanent 1/2 Stop Soft Diffusion Panel
MOUNTING	Yoke Mount
STAND USE	Baby 5/8" & Junior 1-1/8" Combo Pin
BARN DOORS	Optional
HONEYCOMB	Optional

### ELECTRICAL DATA

POWER INPUT	110-240VAC
OPERATING VOLTAGE	30VDC
FREQUENCY	50/60 Hz
MAX POWER CONSUMPTION	308 W
COLOR TEMPERATURE	Bi-Color 3200K-5600K
POWER LOSS	Last Scene Hold
POWER CABLE LENGTH	6 ft
PRO BATTERY OPTIONS	N/A
LIGHT SOURCE	1.0 Watt LEDs
CRI	95+
TLCI	97
STANDARD COMPLIANCE	CE, FCC

### FUNCTIONALITY

SIGNAL INPUT/OUTPUT	DMX Control
CONTROL MODES	Brightness, Color, DMX Addressing
DMX UNIVERSE	DMX512; 5-pin In & Out
DIMMING RANGE	0 - 100%
COOLING	Active / Passive
LED LIFETIME	70,000 hours
DISPLAY	LCD Screen

### LED TYPE

STYLE OF LED	Chip LEDs
--------------	-----------

### ENVIRONMENTAL DATA

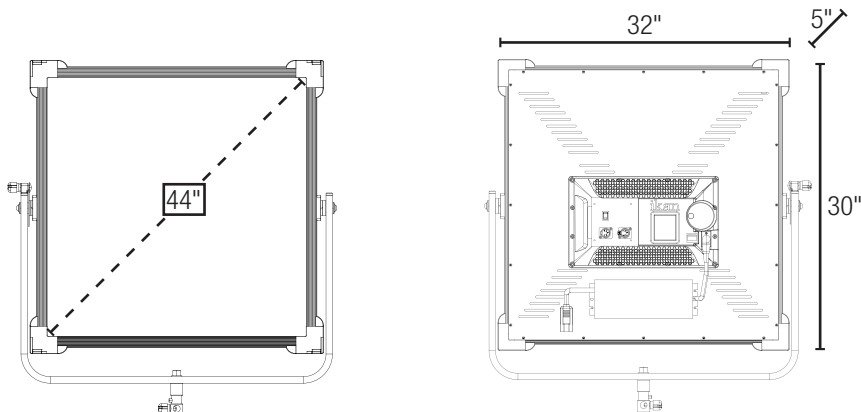
OPERATION IN HUMIDITY	10 - 100%
OPERATION TEMPERATURE	10 - 110° F
INDOOR/OUTDOOR	Both

### PHYSICAL DATA

MODEL	LBX25
FIXTURE WEIGHT	28 lbs / 12.7 kg
FIXTURE DIMENSIONS	32 x 30 x 5 in / 81.3 x 76.2 x 12.7 cm
SHIPPING WEIGHT	45 lb / 20.4 kg
SHIPPING DIMENSIONS	37 x 34 x 7 in / 94 x 86.3 x 17.8 cm

### WHAT'S INCLUDED

1 x LBX25 Light Fixture	
1 x Yoke Mount	
1 x Power Supply w/ Cable	



# Lyra 1 x 3 Bi-Color Studio Soft Panel LED Light w/ DMX Control

Model: LBX30

The Lyra 1 x 3 Bi-Color Studio Soft LED Light includes 1 x 3 LED soft panels with high CRI and 3200K-5600K adjustability. The wide 110-degree beam lights a large area with clean shadows, making the light great for any broadcast. A heavy-duty yoke, baby 5/8" and junior 1 1/8" combo pin attach to any stand or use in any studio configurations. The quick set disk locking system secures the light in place when aiming the fixture.



APPLICATION	
BEAM ANGLE	110 degrees
SUITABLE FOR	Studio / Field

MECHANICAL DATA	
BUILD MATERIAL	Heavy Duty Resin Plastic / Metal
LENS	Permanent 1/2 Stop Soft Diffusion Panel
MOUNTING	Yoke Mount
STAND USE	Baby 5/8" & Junior 1-1/8" Combo Pin
BARN DOORS	Optional
HONEYCOMB	Optional

ELECTRICAL DATA	
POWER INPUT	110-240VAC
OPERATING VOLTAGE	27.2VDC
FREQUENCY	50/60 Hz
MAX POWER CONSUMPTION	126 W
COLOR TEMPERATURE	Bi-Color 3200K-5600K
POWER LOSS	Last Scene Hold
POWER CABLE LENGTH	6 ft
PRO BATTERY OPTIONS	N/A
LIGHT SOURCE	1.0 Watt LEDs
CRI	95+
TLCI	97
STANDARD COMPLIANCE	CE, FCC

FUNCTIONALITY	
SIGNAL INPUT/OUTPUT	DMX Control
CONTROL MODES	Brightness, Color, DMX Addressing
DMX UNIVERSE	DMX512; 5-pin In & Out
DIMMING RANGE	0 - 100%
COOLING	Active / Passive
LED LIFETIME	70,000 hours
DISPLAY	LCD Screen

LED TYPE	
STYLE OF LED	Chip LEDs

ENVIRONMENTAL DATA	
OPERATION IN HUMIDITY	10 - 100%
OPERATION TEMPERATURE	10 - 110° F
INDOOR/OUTDOOR	Both

PHYSICAL DATA	
MODEL	LBX30
FIXTURE WEIGHT	20 lbs / 9.07 kg
FIXTURE DIMENSIONS	45 x 18 x 5 in / 114.3 x 45.7 x 12.7 cm
SHIPPING WEIGHT	30 lb / 13.6 kg
SHIPPING DIMENSIONS	48 x 22 x 8 in / 121.9 x 55.9 x 20.3 cm

WHAT'S INCLUDED	
1 x LBX30 Light Fixture	
1 x Yoke Mount	
1 x Power Supply w/ Cable	

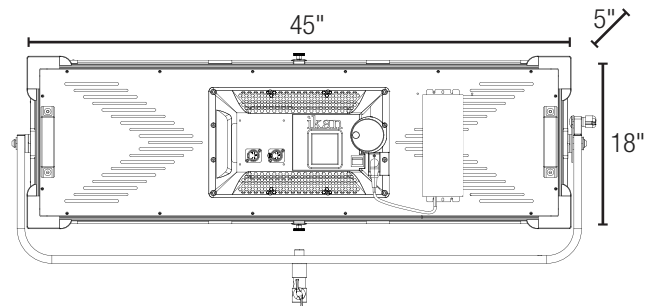
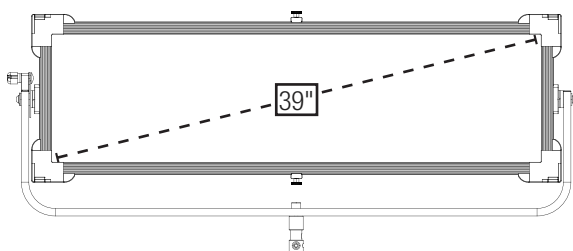
## Photometrics

### 3200K:

110°	FC	324	148	83	49	38	29	22	18	15	12
	FEET	2'	4'	6'	8'	10'	12'	14'	16'	18'	20'
110°	LUX	3487	1593	893	527	409	312	236	193	161	129
	METERS	0.6M	1.2M	1.8M	2.4M	3M	3.6M	4.2M	4.8M	5.4M	6.1M

### 5600K:

110°	FC	371	167	91	56	44	32	25	20	16	14
	FEET	2'	4'	6'	8'	10'	12'	14'	16'	18'	20'
110°	LUX	3993	1797	979	602	473	344	269	215	172	150
	METERS	0.6M	1.2M	1.8M	2.4M	3M	3.6M	4.2M	4.8M	5.4M	6.1M



# Lyra 1 x 4 Bi-Color Studio Soft Panel LED Light w/ DMX Control

**Model: LBX40**

The Lyra 1 x 4 Bi-Color Studio Soft LED Light includes 1 x 4 LED soft panels, with high CRI and 3200K-5600K adjustability. The wide 110-degree beam lights a large area with clean shadows, making the light great for any broadcast. A heavy-duty yoke, baby 5/8" and junior 1 1/8" combo pin attach to any stand or use in any studio configurations. The quick set disk locking system secures the light in place when aiming the fixture.



### APPLICATION

BEAM ANGLE	110 degrees
SUITABLE FOR	Studio / Field

### MECHANICAL DATA

BUILD MATERIAL	Heavy Duty Resin Plastic / Metal
LENS	Permanent 1/2 Stop Soft Diffusion Panel
MOUNTING	Yoke Mount
STAND USE	Baby 5/8" & Junior 1-1/8" Combo Pin
BARN DOORS	Optional
HONEYCOMB	Optional

### ELECTRICAL DATA

POWER INPUT	110-240VAC
OPERATING VOLTAGE	30VDC
FREQUENCY	50/60 Hz
MAX POWER CONSUMPTION	297 W
COLOR TEMPERATURE	Bi-Color 3200K-5600K
POWER LOSS	Last Scene Hold
POWER CABLE LENGTH	6 ft
PRO BATTERY OPTIONS	N/A
LIGHT SOURCE	1.0 Watt LEDs
CRI	95+
TLCI	97
STANDARD COMPLIANCE	CE, FCC

### FUNCTIONALITY

SIGNAL INPUT/OUTPUT	DMX Control
CONTROL MODES	Brightness, Color, DMX Addressing
DMX UNIVERSE	DMX512; 5-pin In & Out
DIMMING RANGE	0 - 100%
COOLING	Active / Passive
LED LIFETIME	70,000 hours
DISPLAY	LCD Screen

### LED TYPE

STYLE OF LED	Chip LEDs
--------------	-----------

### ENVIRONMENTAL DATA

OPERATION IN HUMIDITY	10 - 100%
OPERATION TEMPERATURE	10 - 110° F
INDOOR/OUTDOOR	Both

### PHYSICAL DATA

MODEL	LBX40
FIXTURE WEIGHT	30 lbs / 13.6 kg
FIXTURE DIMENSIONS	49 x 20 x 5 in / 124.4 x 50.8 x 12.7 cm
SHIPPING WEIGHT	43 lb / 19.5 kg
SHIPPING DIMENSIONS	52 x 21 x 9 in / 132 x 53.3 x 22.8 cm

### WHAT'S INCLUDED

1 x LBX40 Light Fixture	
1 x Yoke Mount	
1 x Power Supply w/ Cable	

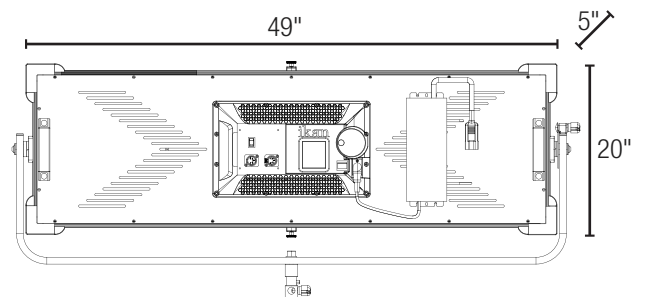
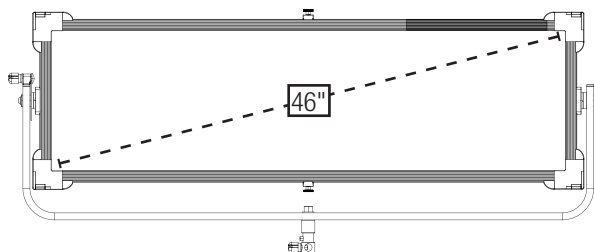
## Photometrics

**3200K:**

110°	FC	324	148	83	49	38	29	22	18	15	12
	FEET	2'	4'	6'	8'	10'	12'	14'	16'	18'	20'
110°	LUX	3487	1593	893	527	409	312	236	193	161	129
	METERS	0.6M	1.2M	1.8M	2.4M	3M	3.6M	4.2M	4.8M	5.4M	6.1M

**5600K:**

110°	FC	982	390	203	120	86	63	50	39	31	26
	FEET	2'	4'	6'	8'	10'	12'	14'	16'	18'	20'
110°	LUX	10570	4197	2185	1291	925	678	538	419	333	279
	METERS	0.6M	1.2M	1.8M	2.4M	3M	3.6M	4.2M	4.8M	5.4M	6.1M





# Onyx Half x 1 Bi-Color 3200K-5600K Aluminum LED Light

Model: OYB5

The Onyx Half x 1 Bi-Color Aluminum LED light includes 900 high quality LED lights. The OYB10 provides a flicker-free experience when adjusting the brightness (10%-99%) and color temperature (3200K-5600K). The aviation grade aluminum panel design offers great heat ventilation. The OYB5 can be controlled remotely with either the included remote control or DMX via the Ethernet port. With the option of power by the power adapter or two Sony L Series batteries, the light meets both studio and field needs.



### APPLICATION

BEAM ANGLE	50 degrees
SUITABLE FOR	Studio / Field

### MECHANICAL DATA

BUILD MATERIAL	Aluminum
LENS	45 degrees
MOUNTING	Standard Yoke
STAND USE	5/8" Baby Pin Receiver
BARN DOORS	Included; Removable

### ELECTRICAL DATA

POWER INPUT	110-240VAC
OPERATING VOLTAGE	13-19VDC
FREQUENCY	50/60 Hz
MAX POWER CONSUMPTION	29 W
COLOR TEMPERATURE	Bi-Color 3200K-5600K
POWER LOSS	Last Scene Hold
POWER CABLE LENGTH	10 ft
PRO BATTERY OPTIONS	Sony L Series DV Battery Plate Installed
LIGHT SOURCE	900 x 0.06 Watt LEDs
CRI	96+
TLCI	95
STANDARD COMPLIANCE	CE, FCC, DMX512

### FUNCTIONALITY

SIGNAL INPUT/OUTPUT	RF Control, DMX Control
CONTROL MODES	Brightness, Color, DMX Addressing
DMX UNIVERSE	RJ45; 5-pin In & Out
DIMMING RANGE	10 - 99%
COOLING	Passive
LED LIFETIME	70,000 hours
DISPLAY	LCD Screen
REMOTE CONTROL	99 Channels - 2.4G Wireless Remote
REMOTE CONTROL WORKING DISTANCE	150 ft / 45.7 m

### LED TYPE

STYLE OF LED	Lensed LEDs
--------------	-------------

### ENVIRONMENTAL DATA

OPERATION IN HUMIDITY	10 - 100%
OPERATION TEMPERATURE	10 - 110° F
INDOOR/OUTDOOR	Both

### PHYSICAL DATA

MODEL	OYB5
FIXTURE WEIGHT	4 lb / 1.8 kg
FIXTURE DIMENSIONS	14.5 x 11 x 1.75 in / 36.8 x 28 x 4.4 cm
SHIPPING WEIGHT	7 lb / 3.2 kg
SHIPPING DIMENSIONS	15.7 x 11.8 x 5.5 in / 39.9 x 30 x 14 cm

### WHAT'S INCLUDED

1 x OYB5 Light Fixture	
2 x Sony L Series Style Batteries	
1 x Barn Door	
1 x Light Bag	
1 x Power Adapter	
1 x Power Cord	
1 x Remote Control	
1 x Yoke	

## Onyx Aluminum panels are available in multiple light kits.



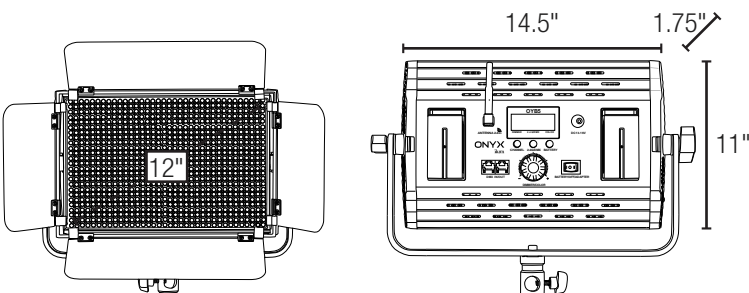
## Photometrics

### 3200K:

50°	FC	266	112	62	38	27
	FEET	2'	4'	6'	8'	10'
50°	LUX	2862	1205	667.1	408.8	290.5
	METERS	0.6M	1.2M	1.8M	2.4M	3M

### 5600K:

50°	FC	335	141	78	48	33
	FEET	2'	4'	6'	8'	10'
50°	LUX	3604	1517	839.2	516.4	355
	METERS	0.6M	1.2M	1.8M	2.4M	3M



# Onyx 1 x 1 Bi-Color 3200K-5600K Aluminum LED Light With V-Mount Battery Plate

Model: OYB10

The Onyx 1 x 1 Bi-Color Aluminum LED light includes 900 high quality LED lights. The OYB10 provides a flicker-free experience when adjusting the brightness (10%-99%) and color temperature (3200K-5600K). The aviation grade aluminum panel design offers great heat ventilation. The OYB10 can be controlled remotely with either the included remote control or DMX via the Ethernet port. With the option of power by the power adapter or a V-Mount Pro battery, the light meets both studio and field needs.



### APPLICATION

BEAM ANGLE	50 degrees
SUITABLE FOR	Studio / Field

### MECHANICAL DATA

BUILD MATERIAL	Aluminum
LENS	45 degrees
MOUNTING	Standard Yoke
STAND USE	5/8" Baby Pin Receiver
BARN DOORS	Included; Removable

### ELECTRICAL DATA

POWER INPUT	110-240VAC
OPERATING VOLTAGE	12VDC
FREQUENCY	50/60 Hz
MAX POWER CONSUMPTION	35 W
COLOR TEMPERATURE	Bi-Color 3200K-5600K
POWER LOSS	Last Scene Hold
POWER CABLE LENGTH	10 ft
PRO BATTERY OPTIONS	V-Mount Battery Plate Installed
LIGHT SOURCE	1024 x 0.06 Watt LEDs
CRI	96+
TLCI	95
STANDARD COMPLIANCE	CE, FCC, DMX512

### FUNCTIONALITY

SIGNAL INPUT/OUTPUT	RF Control, DMX Control
CONTROL MODES	Brightness, Color, DMX Addressing
DMX UNIVERSE	RJ45; 5-pin In & Out
DIMMING RANGE	10 - 99%
COOLING	Passive
LED LIFETIME	70,000 hours
DISPLAY	LCD Screen
REMOTE CONTROL	99 Channels - 2.4G Wireless Remote
REMOTE CONTROL WORKING DISTANCE	150 ft / 45.7 m

### LED TYPE

STYLE OF LED	Lensed LEDs
--------------	-------------

### ENVIRONMENTAL DATA

OPERATION IN HUMIDITY	10 - 100%
OPERATION TEMPERATURE	10 - 110° F
INDOOR/OUTDOOR	Both

### PHYSICAL DATA

MODEL	OYB10
FIXTURE WEIGHT	5 lb / 2.3 kg
FIXTURE DIMENSIONS	16 x 16 x 1.75 in / 40.6 x 40.6 x 4.4 cm
SHIPPING WEIGHT	11 lb / 5 kg
SHIPPING DIMENSIONS	18 x 17.7 x 6 in / 45.7 x 44.9 x 15.2 cm

### WHAT'S INCLUDED

1 x OYB10 Light Fixture	
1 x Barn Door	
1 x Light Bag	
1 x Power Adapter	
1 x Power Cord	
1 x Remote Control	
1 x Yoke	
1 x Neutral Diffusion Filter	

Onyx Aluminum panels are available in multiple light kits.

OYB10-2PT-KIT



OYB10-3PT-KIT



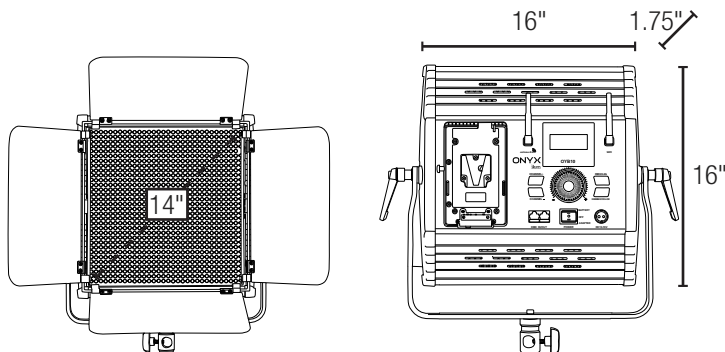
## Photometrics

### 3200K:

50°	FC	260	114	61	38	28	20	15	12	9	7
	FEET	2'	4'	6'	8'	10'	12'	14'	16'	18'	20'
50°	LUX	2797	1126	656.3	408.8	301	215	161	129	96.8	75.3
	METERS	0.6M	1.2M	1.8M	2.4M	3M	3.6M	4.2M	4.8M	5.4M	6.1M

### 5600K:

50°	FC	337	133	73	42	31	23	17	14	10	9
	FEET	2'	4'	6'	8'	10'	12'	14'	16'	18'	20'
50°	LUX	3623	1431	785.5	451.9	333.5	247.4	182.9	150.6	107.6	96.8
	METERS	0.6M	1.2M	1.8M	2.4M	3M	3.6M	4.2M	4.8M	5.4M	6.1M



# Onyx 2 x 1 Bi-Color 3200K-5600K Aluminum LED Light With V-Mount Battery Plate

Model: OYB15

The Onyx 2 x 1 Bi-Color Aluminum LED light includes 900 high quality LED lights. The OYB15 provides a flicker-free experience when adjusting the brightness (10%-99%) and color temperature (3200K-5600K). The aviation grade aluminum panel design offers great heat ventilation. The OYB15 can be controlled remotely with either the included remote control or DMX via the Ethernet port. With the option of power by the power adapter or a V-Mount Pro battery, the light meets both studio and field needs.



### APPLICATION

BEAM ANGLE	50 degrees
SUITABLE FOR	Studio / Field

### MECHANICAL DATA

BUILD MATERIAL	Aluminum
LENS	45 degrees
MOUNTING	Standard Yoke
STAND USE	5/8" Baby Pin Receiver
BARN DOORS	Included; Removable

### ELECTRICAL DATA

POWER INPUT	110-240VAC
OPERATING VOLTAGE	12VDC
FREQUENCY	50/60 Hz
MAX POWER CONSUMPTION	63 W
COLOR TEMPERATURE	Bi-Color 3200K-5600K
POWER LOSS	Last Scene Hold
POWER CABLE LENGTH	10 ft
PRO BATTERY OPTIONS	V-Mount Battery Plate Installed
LIGHT SOURCE	2016 x 0.06 Watt LEDs
CRI	96+
TLCI	95
STANDARD COMPLIANCE	CE, FCC, DMX512

### FUNCTIONALITY

SIGNAL INPUT/OUTPUT	RF Control, DMX Control
CONTROL MODES	Brightness, Color, DMX Addressing
DMX UNIVERSE	RJ45; 5-pin In & Out
DIMMING RANGE	10 - 99%
COOLING	Passive
LED LIFETIME	70,000 hours
DISPLAY	LCD Screen
REMOTE CONTROL	99 Channels - 2.4G Wireless Remote
REMOTE CONTROL WORKING DISTANCE	150 ft / 45.7 m

### LED TYPE

STYLE OF LED	Lensed LEDs
--------------	-------------

### ENVIRONMENTAL DATA

OPERATION IN HUMIDITY	10 - 100%
OPERATION TEMPERATURE	10 - 110° F
INDOOR/OUTDOOR	Both

### PHYSICAL DATA

MODEL	OYB15
FIXTURE WEIGHT	7.5 lb / 3.4 kg
FIXTURE DIMENSIONS	22 x 16 x 1.75 in / 55.9 x 40.6 x 4.4 cm
SHIPPING WEIGHT	19 lb / 8.6 kg
SHIPPING DIMENSIONS	24.4 x 17.7 x 6 in / 62 x 44.9 x 15.2 cm

### WHAT'S INCLUDED

1 x OYB15 Light Fixture	
1 x Barn Door	
1 x Light Bag	
1 x Power Adapter	
1 x Power Cord	
1 x Remote Control	
1 x Yoke	
1 x Neutral Diffusion Filter	

Onyx Aluminum panels are available in multiple light kits.

OYB15-2PT-KIT



OYB15-3PT-KIT



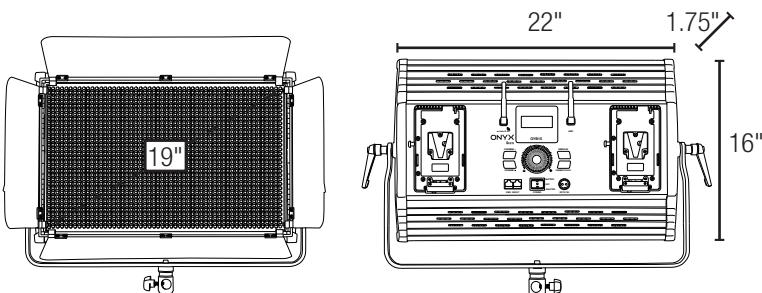
## Photometrics

### 3200K:

50°	FC	476	191	112	73	39	39	31	24	20	17
	FEET	2'	4'	6'	8'	10'	12'	14'	16'	18'	20'
50°	LUX	2797	1126	656.3	408.8	301	215	161	129	96.8	75.3
	METERS	0.6M	1.2M	1.8M	2.4M	3M	3.6M	4.2M	4.8M	5.4M	6.1M

### 5600K:

50°	FC	549	230	143	87	61	48	36	28	23	19
	FEET	2'	4'	6'	8'	10'	12'	14'	16'	18'	20'
50°	LUX	5907	2474	1538	936	656.3	516.4	387.3	301.2	247.4	204.4
	METERS	0.6M	1.2M	1.8M	2.4M	3M	3.6M	4.2M	4.8M	5.4M	6.1M



# Onyx 30 Watt Bi-Color 3200K-5600K Aluminum On-Camera LED Light

Model: OYB240

The Onyx 30 watt Bi-Color On-Camera LED Light is designed and built for professional photographers, videographers, and cinematographers who want high quality LED lighting at an affordable price. Fitted with 30 watt, high quality LEDs, the OYB240 provides high brightness and sharp clarity for pictures.



APPLICATION	
BEAM ANGLE	110 degrees
SUITABLE FOR	Studio / Field
MECHANICAL DATA	
BUILD MATERIAL	Aluminum
LENS	Permanent 1/2 Stop Soft Diffusion Panel
MOUNTING	Shoe Mount
STAND USE	5/8" Baby Pin Receiver 1/4"-20 Mounting Receiver
BARN DOORS	None
ELECTRICAL DATA	
POWER INPUT	13-17VDC via Battery (AC adapter sold separately)
OPERATING VOLTAGE	13-17VDC (AC adapter sold separately)
FREQUENCY	50/60 Hz
MAX POWER CONSUMPTION	23 W
COLOR TEMPERATURE	Bi-Color 3200K-5600K
POWER LOSS	Last Scene Hold
POWER CABLE LENGTH	6 ft (Sold Separately)
BATTERY OPTIONS	Sony L Series DV Battery Plate Installed
LIGHT SOURCE	288 x 1.0 Watt LEDs
CRI	95
TLCI	96
STANDARD COMPLIANCE	CE, FCC
FUNCTIONALITY	
SIGNAL INPUT/OUTPUT	RF Control
CONTROL MODES	Brightness and Color
DMX UNIVERSE	None
DIMMING RANGE	10 - 99%
COOLING	Passive
LED LIFETIME	60,000 hours
DISPLAY	LCD Screen
LED TYPE	
STYLE OF LED	Chip LEDs
ENVIRONMENTAL DATA	
OPERATION IN HUMIDITY	10 - 100%
OPERATION TEMPERATURE	10 - 110° F
INDOOR/OUTDOOR	Both
PHYSICAL DATA	
MODEL	OYB240
FIXTURE WEIGHT	0.83 lb / 0.37 kg
FIXTURE DIMENSIONS	11.1 x 3.7 x 0.75 in / 28.2 x 9.4 x 1.9 cm
SHIPPING WEIGHT	3 lb / 1.4 kg
SHIPPING DIMENSIONS	15.5 x 10 x 3 in / 39.4 x 25.4 x 7.6 cm
WHAT'S INCLUDED	
1 x OYB240 Light Fixture	
2 x Sony L Series Style Batteries	
1 x Shoe Mount	
1 x Dual Battery Charger	
1 x Dual Battery AC Adapter	Used to charge battery only
1 x Car Charger	Used to charge battery only
1 x Handle	
1 x Stand Adapter Bracket	

Onyx 30 watt panels are available in multiple light kits.

OYB240-2PT-KIT



OYB240-3PT-KIT



## Photometrics

3200K:

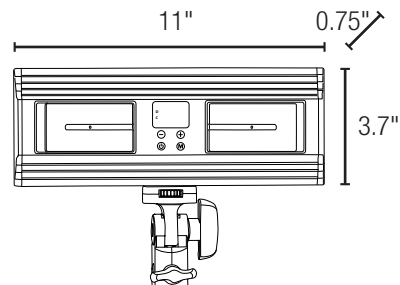
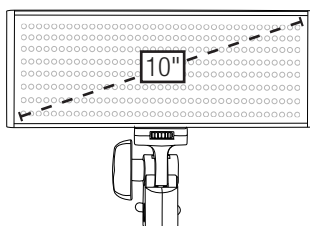
110°	LUX	871.5	161.4	75.3
	METERS	1M	2M	3M

110°	FC	81	15	7
	FEET	3'	6'	9'

5600K:

110°	LUX	1043.7	172.1	86.1
	METERS	1M	2M	3M

110°	FC	97	16	8
	FEET	3'	6'	9'



# Onyx 15 Watt Bi-Color 3200K-5600K Aluminum On-Camera LED Light

Model: OYB120

The Onyx 15 watt Bi-Color On-Camera LED Light is designed and built for professional photographers, videographers, and cinematographers who want high quality LED lighting at an affordable price. Fitted with 15 watt, high quality LEDs, the OYB120 provides high brightness and sharp clarity for pictures.



### APPLICATION

BEAM ANGLE	110 degrees
SUITABLE FOR	Studio / Field

### MECHANICAL DATA

BUILD MATERIAL	Aluminum
LENS	Permanent 1/2 Stop Soft Diffusion Panel
MOUNTING	Shoe Mount
STAND USE	1/4"-20 Mounting Receiver
BARN DOORS	None

### ELECTRICAL DATA

POWER INPUT	13-17VDC via Battery (AC adapter sold separately)
OPERATING VOLTAGE	13-17VDC (AC adapter sold separately)
FREQUENCY	50/60 Hz
MAX POWER CONSUMPTION	13 W
COLOR TEMPERATURE	Bi-Color 3200K-5600K
POWER LOSS	Last Scene Hold
POWER CABLE LENGTH	6 ft (Sold Separately)
BATTERY OPTIONS	Sony L Series DV Battery Mount Installed
LIGHT SOURCE	144 x 1.0 Watt LEDs
CRI	95
TLCI	96
STANDARD COMPLIANCE	CD, FCC

### FUNCTIONALITY

SIGNAL INPUT/OUTPUT	RF Control
CONTROL MODES	Brightness and Color
DMX UNIVERSE	None
DIMMING RANGE	10 - 99%
COOLING	Passive
LED LIFETIME	60,000 hours
DISPLAY	LCD Screen

### LED TYPE

STYLE OF LED	Chip LEDs
--------------	-----------

### ENVIRONMENTAL DATA

OPERATION IN HUMIDITY	10 - 100%
OPERATION TEMPERATURE	10 - 110° F
INDOOR/OUTDOOR	Both

### PHYSICAL DATA

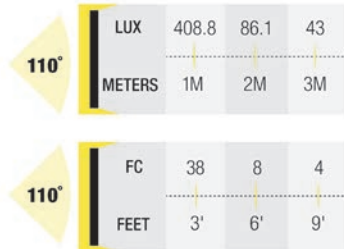
MODEL	OYB120
FIXTURE WEIGHT	0.5 lb / 0.2 kg
FIXTURE DIMENSIONS	5.6 x 3.7 x 0.75 in / 14.2 x 9.4 x 1.9 cm
SHIPPING WEIGHT	2 lb / 0.9 kg
SHIPPING DIMENSIONS	9 x 6 x 3 in / 22.9 x 15.2 x 7.6 cm

### WHAT'S INCLUDED

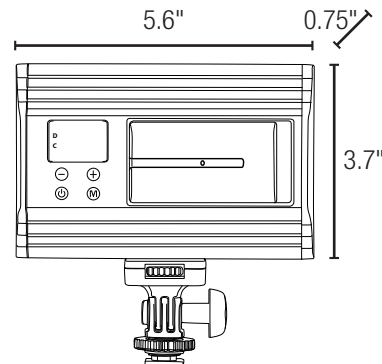
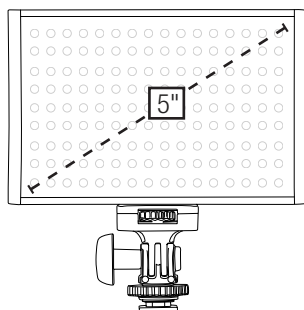
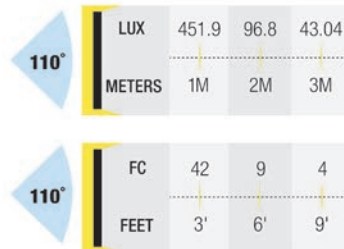
1 x OYB120 Light Fixture	
2 x Sony L Series Style Batteries	
1 x Shoe Mount	
1 x Dual Battery Charger	
1 x Dual Battery AC Adapter	Used to charge battery only
1 x Car Charger	Used to charge battery only
1 x Handle	
1 x Stand Adapter Bracket	

## Photometrics

3200K:



5600K:



# Mylo Soft Bi-Color 3200K-5600K Half x 1 Field LED Light

**Model: MSB8**

The Mylo Soft Bi-Color Half x 1 LED Light features 3200K-5600K bi-color adjustability and high 95+ CRI LEDs, which provide high color fidelity and consistent brightness across all color temperatures. The 110-degree angled beam lights a large area with just one fixture. The MSB8 light is equivalent to a 450-Watt incandescent soft light. The baby 5/8" and junior 1 1/8" combo pin attaches the light in several ways. An AC power supply and two Sony L Series batteries power this incredible light package.



### APPLICATION

BEAM ANGLE	110 degrees
SUITABLE FOR	Studio / Field

### MECHANICAL DATA

BUILD MATERIAL	Metal / Plastic
LENS	Permanent 1/2 Stop Soft Diffusion Panel
MOUNTING	Standard Yoke
STAND USE	Baby 5/8" & Junior 1-1/8" Combo Pin
BARN DOORS	Included; Removeable

### ELECTRICAL DATA

POWER INPUT	100-240VAC
OPERATING VOLTAGE	12VDC
FREQUENCY	50/60 Hz
MAX POWER CONSUMPTION	44 W
COLOR TEMPERATURE	Bi-Color 3200K-5600K
POWER LOSS	Last Scene Hold
POWER CABLE LENGTH	6 ft
BATTERY OPTIONS	Sony L Series DV Battery Plate Installed
LIGHT SOURCE	1 W LEDs
CRI	95+
TLCI	97
STANDARD COMPLIANCE	CE

### FUNCTIONALITY

SIGNAL INPUT/OUTPUT	N/A
CONTROL MODES	Brightness and Color
DMX UNIVERSE	None
DIMMING RANGE	10 - 100%
COOLING	Passive
LED LIFETIME	60,000 hours
DISPLAY	LCD Screen

### LED TYPE

STYLE OF LED	Chip LEDs
--------------	-----------

### ENVIRONMENTAL DATA

OPERATION IN HUMIDITY	10 - 100%
OPERATION TEMPERATURE	10 - 110° F
INDOOR/OUTDOOR	Both

### PHYSICAL DATA

MODEL	MSB8
FIXTURE WEIGHT	8 lb / 3.6 kg
FIXTURE DIMENSIONS	19 x 13 x 3.5 in / 48.2 x 33 x 8.9 cm
SHIPPING WEIGHT	11 lb / 5 kg
SHIPPING DIMENSIONS	20 x 15 x 6 in / 50.8 x 38.1 x 15.2 cm

### WHAT'S INCLUDED

1 x MSB8 Light Fixture	
2 x Sony L Series Style Batteries	
1 x Dual Battery Charger	
1 x Power Supply w/ Cable	
1 x Yoke	
1 x Barn Doors	

## Mylo Soft models available in multiple light kits.

MSB8-2PT-KIT

MSB8-3PT-KIT

MSB8-5PT-KIT



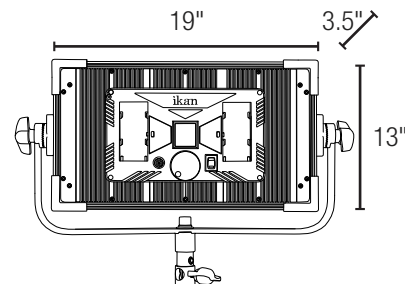
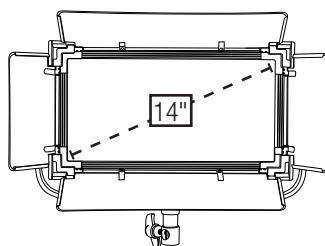
## Photometrics

**3200K:**

**5600K:**

110°	LUX	2777.1	840	399
	METERS	1M	2M	3M
110°	FC	258	78	37
	FEET	3'	6'	9'

110°	LUX	2938.5	905	442
	METERS	1M	2M	3M
110°	FC	273	84	41
	FEET	3'	6'	9'



# Mylo Bi-Color 3200K-5600K Half x 1 Portable Field LED Light

**Model: MB8**

The Mylo Soft Bi-Color Half x 1 Portable LED Light features high 95+ CRI LEDs, which provide high color fidelity and consistent brightness across all color temperatures. The 50-degree angled beam lights a large area with just one fixture. The light is equivalent to a 550-Watt incandescent light. An AC power supply and two Sony L Series batteries power this incredible light package. With a maximum power draw of 26 watts at 7.4-14.8VDC, the new Mylo MB8 Bi-Color LED Half x 1 light is ready for any production.



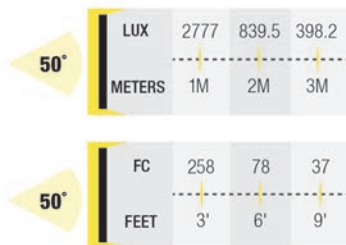
APPLICATION	
BEAM ANGLE	50 degrees
SUITABLE FOR	Studio / Field
MECHANICAL DATA	
BUILD MATERIAL	Metal / Plastic
LENS	45 degrees
MOUNTING	Standard Yoke
STAND USE	Baby 5/8" & Junior 1-1/8" Combo Pin
BARN DOORS	Permanent
ELECTRICAL DATA	
POWER INPUT	110-240VAC
OPERATING VOLTAGE	15VDC
FREQUENCY	50/60 Hz
MAX POWER CONSUMPTION	626W
COLOR TEMPERATURE	Bi-Color 3200K-5600K
POWER LOSS	Last Scene Hold
POWER CABLE LENGTH	6 ft
BATTERY OPTIONS	Sony L Series DV Battery Mount Installed
LIGHT SOURCE	800 x 0.06 W LEDs
CRI	95+
TLCI	97
STANDARD COMPLIANCE	CE
FUNCTIONALITY	
SIGNAL INPUT/OUTPUT	N/A
CONTROL MODES	Brightness and Color
DMX UNIVERSE	None
DIMMING RANGE	10 - 100%
COOLING	Passive
LED LIFETIME	70,000 hours
DISPLAY	LCD Screen
LED TYPE	
STYLE OF LED	Lensed LEDs
ENVIRONMENTAL DATA	
OPERATION IN HUMIDITY	10 - 100%
OPERATION TEMPERATURE	10 - 110° F
INDOOR/OUTDOOR	Both
PHYSICAL DATA	
MODEL	MB8
FIXTURE WEIGHT	6 lb / 2.7 kg
FIXTURE DIMENSIONS	14 x 7 x 2 in / 36.6 x 17.8 x 5.1 cm
SHIPPING WEIGHT	9 lb / 4.1 kg
SHIPPING DIMENSIONS	19 x 15 x 6 in / 48.3 x 38.1 x 15.2 cm
WHAT'S INCLUDED	
1 x Mylo Light Fixture	
2 x Sony L Series Style Batteries	
1 x Dual Battery Charger	
1 x Power Supply w/ Cable	
1 x Yoke	
1 x Neutral Diffusion Filter	

## Mylo models available in multiple light kits.

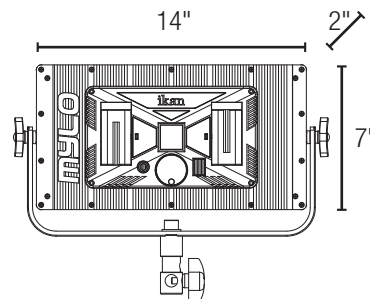
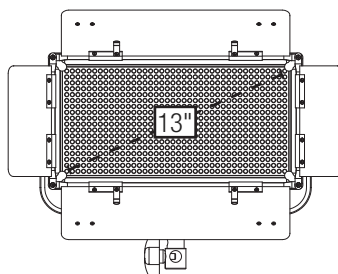
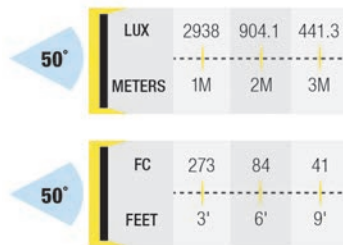


## Photometrics

**3200K:**



**5600K:**



# Mylo Mini Bi-Color 3200K-5600K Portable Field LED Light Travel Kit

**Model: MB4-TK**

The Mylo Mini Bi-Color Portable Field LED Light Travel Kit features high 95+ CRI LEDs, which provide high color fidelity and consistent brightness from 10% to 100%. The 50-degree angled beam lights a large area with just one fixture. The Mylo MB4 Bi-Color LED light is equivalent to a 300-Watt incandescent light. The large yellow knob allows adjustments to brightness or color temperature with a few simple clicks, and the LED display provides precise measurements. The Mylo MB4 Bi-Color 3200K- 5600K LED light is ready for any production.



APPLICATION	
BEAM ANGLE	50 degrees
SUITABLE FOR	Studio / Field
MECHANICAL DATA	
BUILD MATERIAL	Plastic
LENS	45 degrees
MOUNTING	Shoe Mount
STAND USE	1/4"-20 Mounting Receiver
BARN DOORS	Included, Removable
ELECTRICAL DATA	
POWER INPUT	100-240VAC
OPERATING VOLTAGE	12VDC
FREQUENCY	50/60 Hz
MAX POWER CONSUMPTION	17 W
COLOR TEMPERATURE	Bi-Color 3200K-5600K
POWER LOSS	Last Scene Hold
POWER CABLE LENGTH	6 ft
BATTERY OPTIONS	Sony L Series DV Battery Plate Installed
LIGHT SOURCE	420 0.06 W LEDs
CRI	95+
TLCI	97
STANDARD COMPLIANCE	CE
FUNCTIONALITY	
SIGNAL INPUT/OUTPUT	N/A
CONTROL MODES	Brightness and Color
DMX UNIVERSE	None
DIMMING RANGE	10 - 100%
COOLING	Passive
LED LIFETIME	70,000 hours
DISPLAY	LCD Screen
LED TYPE	
STYLE OF LED	Lensed LEDs
ENVIRONMENTAL DATA	
OPERATION IN HUMIDITY	10 - 100%
OPERATION TEMPERATURE	10 - 110° F
INDOOR/OUTDOOR	Both
PHYSICAL DATA	
MODEL	MB4-TK
FIXTURE WEIGHT	1 lb / 0.45 kg
FIXTURE DIMENSIONS	8 x 5 x 2 in / 20.3 x 12.7 x 5.1 cm
SHIPPING WEIGHT	6 lb / 2.7 kg
SHIPPING DIMENSIONS	16 x 11 x 4 in / 40.6 x 27.9 x 10.2 cm
WHAT'S INCLUDED	
1 x MB4 Light Fixture	
2 x Sony L Series Style Batteries	
1 x Dual Battery Charger	
1 x AC 12V Power Supply	
1 x Carry Case	
1 x Barn Doors	
1 x Neutral Diffusion Filter	
1 x SM201 Shoe Mount	

## Mylo Mini models available in multiple light kits.

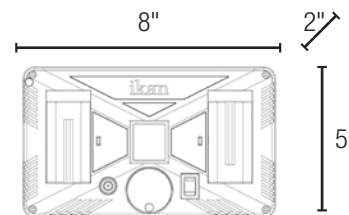
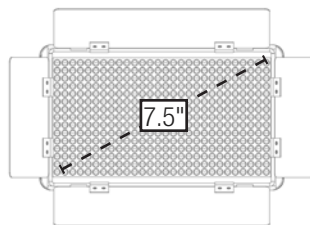


## Photometrics

**3200K:**



**5600K:**





# LED Panel Mixed Kits

## Rayden Mixed Kits

<b>Model: RB-1F2H</b>	
Description	Bi-Color 3-point Kit
Contents	[1] 1 x 1 Full Panel [2] Half x 1 Panels
<b>Model: RB-2F1H</b>	
Description	Bi-Color 3-point Kit
Contents	[2] 1 x 1 Full Panels [1] Half x 1 Panel
<b>Model: RB-2F3H</b>	
Description	Bi-Color 5-point Kit
Contents	[2] 1 x 1 Full Panels [3] Half x 1 Panels
<b>Model: RB-3F2H</b>	
Description	Bi-Color 5-point Kit
Contents	[3] 1 x 1 Full Panels [2] Half x 1 Panels
<b>Model: RW-1F2H</b>	
Description	Daylight 3-point Kit
Contents	[1] 1 x 1 Full Panel [2] Half x 1 Panels
<b>Model: RW-2F1H</b>	
Description	Daylight 3-point Kit
Contents	[2] 1 x 1 Full Panels [1] Half x 1 Panel
<b>Model: RW-2F3H</b>	
Description	Daylight 5-point Kit
Contents	[2] 1 x 1 Full Panels [3] Half x 1 Panels
<b>Model: RW-3F2H</b>	
Description	Daylight 5-point Kit
Contents	[3] 1 x 1 Full Panels [2] Half x 1 Panels

RB-1F2H



RB-3F2H



RW-2F3H



## Lyra Soft Mixed Kits

<b>Model: LB-1F2H</b>	
Description	Bi-Color 3-point Kit
Contents	[1] 1 x 1 Full Panel [2] Half x 1 Panels
<b>Model: LB-2F1H</b>	
Description	Bi-Color 3-point Kit
Contents	[2] 1 x 1 Full Panels [1] Half x 1 Panel
<b>Model: LB-2F3H</b>	
Description	Bi-Color 5-point Kit
Contents	[2] 1 x 1 Full Panels [3] Half x 1 Panels
<b>Model: LB-3F2H</b>	
Description	Bi-Color 5-point Kit
Contents	[3] 1 x 1 Full Panels [2] Half x 1 Panels
<b>Model: LW-1F2H</b>	
Description	Daylight 3-point Kit
Contents	[1] 1 x 1 Full Panel [2] Half x 1 Panels
<b>Model: LW-2F1H</b>	
Description	Daylight 3-point Kit
Contents	[2] 1 x 1 Full Panels [1] Half x 1 Panel
<b>Model: LW-2F3H</b>	
Description	Daylight 5-point Kit
Contents	[2] 1 x 1 Full Panels [3] Half x 1 Panels
<b>Model: LW-3F2H</b>	
Description	Daylight 5-point Kit
Contents	[3] 1 x 1 Full Panels [2] Half x 1 Panels

LB-1F2H



LB-3F2H



LW-2F3H



Included standard accessories: Stands, Bags, Power Supplies, Pro-Battery Plates, Fixed Barn Doors

## Mylo Mixed Kits

<b>Model: MB-1H2Q</b>	
Description	Small Bi-Color 3-point Kit
Contents	[1] MB8 Mylo [2] MB4 Mylo Mini
<b>Model: MB-2H1Q</b>	
Description	Medium Bi-Color 3-point Kit
Contents	[2] MB8 Mylo [1] MB4 Mylo Mini
<b>Model: MB-2Q1Z</b>	
Description	Macro Bi-Color 3-point Kit
Contents	[2] MB4 Mylo Mini [1] iLED6 Zoom

MB-1H2Q



MB-2H1Q



MB-2Q1Z



Included standard accessories: Stands, Bags, Power Supplies, Removable Barn Doors

# Stryder 50 Watt Daylight 5600K Field LED Fresnel Light

Model: SW50

In Ikan's line of Chip-On-Board (COB) LED lights, the Stryder 50 watt Daylight 5600K LED Light features a 4" Fresnel light that can switch easily from a wide beam angle to a tight beam. An ultra-quiet, active cooling system keeps the light consistent through any shoot. The Stryder's lightweight, plastic body make setting up the light quick and easy. The 18650 batteries that power the SW50 are a convenient power source, and the large yellow control knob easily operates and controls the brightness.



Stryder 50 W Fresnels available in multiple light kits.

SW50-2PT-KIT



SW50-3PT-KIT



## Photometrics

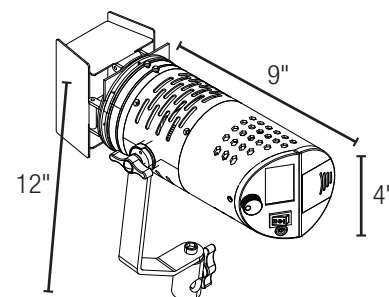
### 5600K Spot:

30°	FC	494	182	96	57	41
	FEET	2'	4'	6'	8'	10'
30°	LUX	5317	1959	1033	613.5	441
	METERS	0.6M	1.2M	1.8M	2.4M	3M

### 5600K Flood:

50°	FC	87	33	17	10	8
	FEET	2'	4'	6'	8'	10'
50°	LUX	936.4	355.2	182.9	107.6	86
	METERS	0.6M	1.2M	1.8M	2.4M	3M

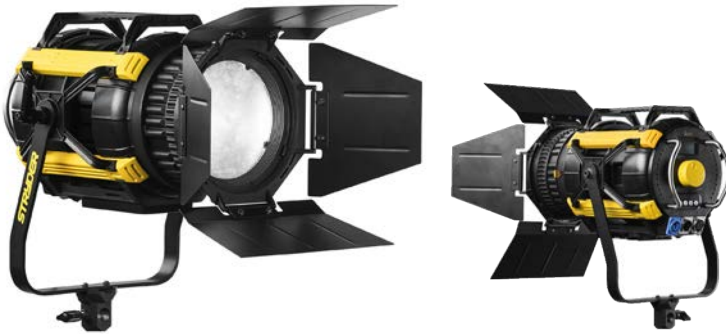
BEAM ANGLE	
SPOT TO FLOOD RANGE	30-50 degrees
SUITABLE FOR	Studio / Field
MECHANICAL DATA	
BUILD MATERIAL	Plastic / Metal
PAINT/FINISH	Black
MOUNTING	Cast Aluminum Half Yoke
LENS	4" Fresnel
HANDLE	None
STAND USE	5/8" Baby Pin Receiver
BARN DOORS	Included; Removable
ELECTRICAL DATA	
LIGHT SOURCE	50 Watt LED
POWER INPUT	100-240VAC
OPERATING VOLTAGE	15V
FREQUENCY	50/60 Hz
MAX POWER CONSUMPTION	60 W
POWER LOSS	Last Scene Hold
POWER CABLE LENGTH	6 ft
STANDARD COMPLIANCE	CE
COLOR TEMPERATURE	Daylight 5600K
CRI	95
TLCI	96
FUNCTIONALITY	
SIGNAL INPUT/OUTPUT	N/A
CONTROL MODE	Brightness
FOCUS ADJUSTMENT	Removable 30 degree adapter
BEAM ANGLE	60 without adapter 30 with adapter
BEAM SHAPING	Uses included barn doors
DMX UNIVERSE	None
DIMMING RANGE	0 - 100%
COOLING	Active
LED LIFETIME	60,000 hours
DISPLAY	LCD Screen
BATTERIES	4 x IB-18650
LED TYPE	
STYLE OF LED	COB
ENVIRONMENTAL DATA	
OPERATION IN HUMIDITY	10 - 100%
OPERATION TEMPERATURE	10 - 110° F
INDOOR/OUTDOOR	Both
PHYSICAL DATA	
MODEL	SW50
FIXTURE WEIGHT	4 lb / 1.8 kg
FIXTURE DIMENSIONS	9 x 4 x 12 in / 22.8 x 10.2 x 30.5 cm
SHIPPING WEIGHT	6 lb / 2.7 kg
SHIPPING DIMENSIONS	18 x 11 x 5 in / 45.7 x 27.9 x 12.7 cm
WHAT'S INCLUDED	
1 x SW50 Light Fixture	
1 x 30-degree Lens Adapter	
1 x Power Supply	
1 x Soft Carrying Case	
1 x Yoke	



# Stryder 200 Watt Bi-Color 2800K-6500K LED Fresnel Light

Model: SB200

The Stryder 200 watt Bi-Color LED Light is a 5" Fresnel light that can switch easily from a wide beam angle to a tight beam. An ultra-quiet, active cooling system keeps the light consistent through any shoot. The Stryder's lightweight, Nylon-Resin body make setting up the light quick and easy. With DMX512 and Gold Mount or V-Mount battery options, this versatile light can be used in the field or studio. With the four barn doors included, the Stryder SB200 Bi-Color LED is all you need on set.



## Photometrics

### 3200K Flood:

60°	FC	538	167	80	44	31
	FEET	2'	4'	6'	8'	10'

60°	LUX	5790	1797	861	473	333
	METERS	0.6M	1.2M	1.8M	2.4M	3M

### 5600K Flood:

60°	FC	668	208	101	55	40
	FEET	2'	4'	6'	8'	10'

60°	LUX	7190	2238	1087	592	430
	METERS	0.6M	1.2M	1.8M	2.4M	3M

### 3200K Spot:

30°	FC	2799	1048	498	289	199
	FEET	2'	4'	6'	8'	10'

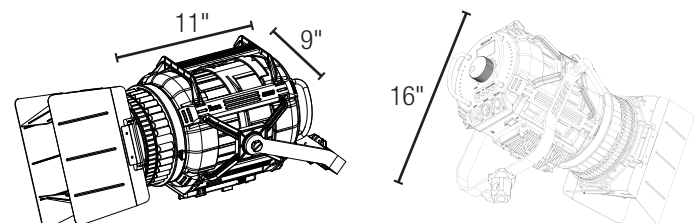
30°	LUX	30128	11280	5360	3110	2142
	METERS	0.6M	1.2M	1.8M	2.4M	3M

### 5600K Spot:

30°	FC	3542	1283	601	335	237
	FEET	2'	4'	6'	8'	10'

30°	LUX	38126	13810	6469	3606	2551
	METERS	0.6M	1.2M	1.8M	2.4M	3M

BEAM ANGLE	
SPOT TO FLOOD RANGE	60 without adapter - 30 with adapter
SUITABLE FOR	Studio / Field
MECHANICAL DATA	
BUILD MATERIAL	Fiber Reinforced Plastic
PAINT/FINISH	Black / Yellow
MOUNTING	Cast Aluminum Standard Yoke
LENS	5" Fresnel
HANDLE	Top
STAND USE	5/8" Baby Pin Receiver
BARN DOORS	Included; Removable
ELECTRICAL DATA	
LIGHT SOURCE	200 Watt LED COB
POWER INPUT	100-240VAC
OPERATING VOLTAGE	15V
FREQUENCY	50/60 Hz
MAX POWER CONSUMPTION	108 W
POWER LOSS	Last Scene Hold
POWER CABLE LENGTH	6 ft
STANDARD COMPLIANCE	CE
COLOR TEMPERATURE	Bi-Color 2800K-6500K
CRI	96
TLCI	97
FUNCTIONALITY	
SIGNAL INPUT/OUTPUT	DMX Control
CONTROL MODE	Brightness, Color, Flicker Adjustment, DMX Addressing
FOCUS ADJUSTMENT	Removable 30 degree adapter
BEAM ANGLE	60 without adapter - 30 with adapter
BEAM SHAPING	Uses included barn doors
DMX UNIVERSE	DMX512; 5-pin In & Out
INPUT DMX SIGNAL LOSS	Last Scene Hold
DIMMING RANGE	0-100%
LED TEMPERATURE	Bi-Color 2800K to 6500K
COOLING	Active
LED LIFETIME	60,000 hours
DISPLAY	LCD Screen
PRO BATTERY OPTIONS	V-Mount/Gold Mount Plates Included
LED TYPE	
STYLE OF LED	COB
ENVIRONMENTAL DATA	
OPERATION IN HUMIDITY	10 - 100%
OPERATION TEMPERATURE	10 - 110° F
INDOOR/OUTDOOR	Both
PHYSICAL DATA	
MODEL	SB200
FIXTURE WEIGHT	11 lb / 5 kg
FIXTURE DIMENSIONS	16 x 11 x 9 in / 40.6 x 28 x 22.9 cm
SHIPPING WEIGHT	13 lb / 5.9 kg
SHIPPING DIMENSIONS	20 x 13 x 14 in / 50.8 x 33 x 35.5 cm
WHAT'S INCLUDED	
1 x SB200 Light Fixture	
1 x Barn Doors	
1 x Power Supply w/ Cable	
1 x Yoke	



# Helia 40 Watt Bi-Color LED Fresnel Light

Model: HF40

The Helia 40 watt Bi-Color LED Fresnel Light offers high CRI and TLCI and the flexibility of color temperatures ranging from 2700K to 5600K for any shoot. The 4" Fresnel lens can move from 60-degree flood to 15-degree spot. The large digital display allows for easy operation of the menus and adjustments. The flicker feature can be tuned to any frequency. The HF40 light can be powered with a pro battery and comes with a V-mount battery plate and DC cable. The light also includes barn doors and an AC power cable.



BEAM ANGLE	
SPOT TO FLOOD RANGE	18 - 60 degrees
SUITABLE FOR	Studio / Field

MECHANICAL DATA	
BUILD MATERIAL	Aluminum
PAINT/FINISH	Black / Yellow
MOUNTING	Cast Aluminum Standard Yoke
LENS	4" Acrylic Fresnel
HANDLE	None
STAND USE	5/8" Baby Pin Receiver
BARN DOORS	Included; Removable

ELECTRICAL DATA	
LIGHT SOURCE	40 Watt LED
POWER INPUT	100-240VAC
OPERATING VOLTAGE	100-240VAC
FREQUENCY	50/60 Hz
MAX POWER CONSUMPTION	38 W
POWER LOSS	Last Scene Hold
POWER PLUGS	AC: 4-pin DC: 3-pin via P-TAP
POWER CABLE LENGTH	6 ft
STANDARD COMPLIANCE	CE
COLOR TEMPERATURE	Bi-Color 2700K-5600K
CRI	97
TLCI	96

FUNCTIONALITY	
SIGNAL INPUT/OUTPUT	N/A
CONTROL MODE	Brightness and Color
FOCUS ADJUSTMENT	Rotating Rear Knob
BEAM SHAPING	Uses included barn doors
DMX UNIVERSE	None
DIMMING RANGE	0 - 100%
COOLING	Active
LED LIFETIME	60,000 hours
DISPLAY	LCD Screen
PRO BATTERY OPTION	V-Mount Plate Included

LED TYPE	
STYLE OF LED	COB

ENVIRONMENTAL DATA	
OPERATION IN HUMIDITY	10 - 100%
OPERATION TEMPERATURE	10 - 110° F
INDOOR/OUTDOOR	Both

PHYSICAL DATA	
MODEL	HF40
FIXTURE WEIGHT	5 lb / 2.3 kg
FIXTURE DIMENSIONS	8.5 x 7.5 x 13 in / 21.6 x 19 x 33 cm
SHIPPING WEIGHT	10 lb / 4.5 kg
SHIPPING DIMENSIONS	11 x 11 x 9 in / 27.9 x 27.9 x 22.8 cm

WHAT'S INCLUDED	
1 x HF40 Light Fixture	
1 x V-Mount Battery Plate	
1 x Barn Doors	
1 x Barn Doors	
1 x Power Supply w/ Cable	
1 x Yoke	

## Stryder 50 W Fresnels available in multiple light kits.



### Photometrics

#### 2700K Spot:



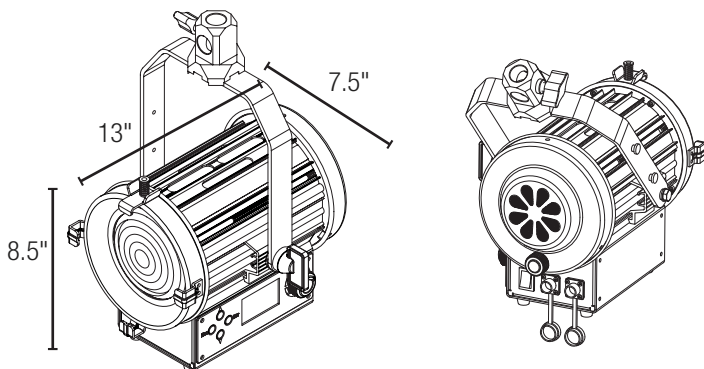
#### 5600K Spot:



#### 2700K Flood:



#### 5600K Flood:



# Helia 150 Watt Bi-Color LED Fresnel Light

Model: HF150

The Helia 150 watt Bi-Color LED Fresnel Light gives broadcasters the freedom to light places from large stages to shoots in the field. As a bi-color 4" Fresnel LED light, the Helia easily adjusts from a 28-degree spot to a 70-degree flood. In high-pressure production, an active cooling system keeps the Helia light running efficiently. The control knobs allow for easy operation of menus and color adjustments. The Helia HF 150 Bi-Color Fresnel LED includes four-way barn doors, making the light excellent for both broadcast and field situations.



BEAM ANGLE	
SPOT TO FLOOD RANGE	20 - 70 degrees
SUITABLE FOR	Studio / Field

MECHANICAL DATA	
BUILD MATERIAL	Aluminum
PAINT/FINISH	Black / Yellow
MOUNTING	Cast Aluminum Standard Yoke
LENS	4" Glass Fresnel
HANDLE	None
STAND USE	5/8" Baby Pin Receiver
BARN DOORS	Included; Removable

ELECTRICAL DATA	
LIGHT SOURCE	150 Watt LED
POWER INPUT	120-240VAC
OPERATING VOLTAGE	120-240VAC
FREQUENCY	50/60 Hz
MAX POWER CONSUMPTION	81 W
POWER LOSS	Last Scene Hold
POWER CABLE LENGTH	6 ft
STANDARD COMPLIANCE	CE
COLOR TEMPERATURE	Bi-Color 3200K - 5600K
CRI	95+
TLCI	95

FUNCTIONALITY	
SIGNAL INPUT/OUTPUT	DMX Control
CONTROL MODE	Brightness, Color, DMX Addressing
FOCUS ADJUSTMENT	Rotating Rear Knob
BEAM SHAPING	Uses included barn doors and gel frame
DMX UNIVERSE	DMX512; 5-pin In & Out
INPUT DMX SIGNAL LOSS	Last Scene Hold
DIMMING RANGE	0 - 100%
COOLING	Active
LED LIFETIME	60,000 hours
DISPLAY	LCD Screen
BATTERY OPTION	N/A

LED TYPE	
STYLE OF LED	COB

ENVIRONMENTAL DATA	
OPERATION IN HUMIDITY	10 - 100%
OPERATION TEMPERATURE	10 - 110° F
INDOOR/OUTDOOR	Both

PHYSICAL DATA	
MODEL	HF150
FIXTURE WEIGHT	10 lb / 4.5 kg
FIXTURE DIMENSIONS	19 x 12 x 6 in / 48.3 x 30.5 x 15.2 cm
SHIPPING WEIGHT	14 lb / 6.3
SHIPPING DIMENSIONS	20 x 10 x 10 in / 50.8 x 25.4 x 25.4 cm

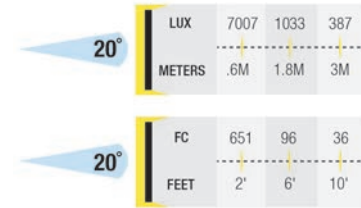
WHAT'S INCLUDED	
1 x HF150 Light Fixture	
1 x Barn Doors	
1 x Power Supply w/ Cable	
1 x Yoke	
1 x Gel Frame	

## Photometrics

### 3200K Spot:



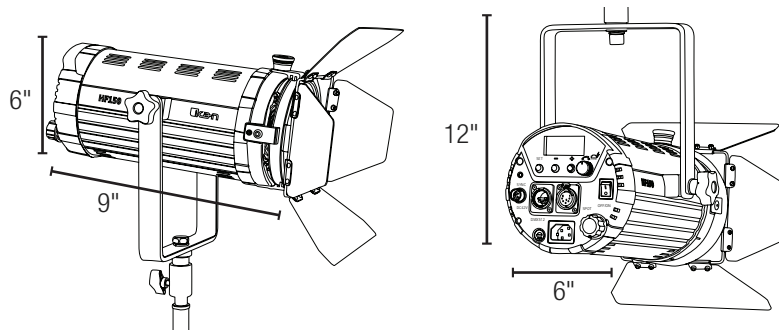
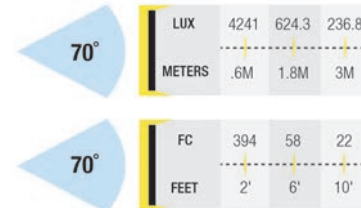
### 5600K Spot:



### 3200K Flood:



### 5600K Flood:



# White Star 4" Fresnel 100 Watt Light

Model: WS-F100

The White Star 4" Fresnel 100 watt Light features a 4" Fresnel lens with a spot to flood focusing knob and a quiet active cooling system. The light has a solid aluminum construction and an energy efficient LED with a high output with an excellent color rendering index. The White Star includes built-in dimming and a digital readout for assigning the light to a DMX channel. The ultra-quiet active cooling fan pulls heat from the fixture, and the four leaf barn doors cut and shape the light or can be folded flat for transportation.



APPLICATION	
SPOT TO FLOOD RANGE	15-50 degrees
SUITABLE FOR	Studio / Field

MECHANICAL DATA	
CONSTRUCTION	Extruded lightweight aluminum alloy
PAINT/FINISH	Black
MOUNTING	Standard Yoke
STAND USE	Baby 5/8" Receiver Pin
LENS	4" Glass Fresnel
HANDLE	Rear
BARN DOORS	Included; Removable

ELECTRICAL DATA	
LIGHT SOURCE	100 Watt COB LED
POWER INPUT	100-240VAC
OPERATING VOLTAGE	100-240VAC
FREQUENCY	50/60 Hz
MAX POWER CONSUMPTION	61 W
POWER LOSS	Last Scene Hold
POWER CABLE LENGTH	6 ft
STANDARD COMPLIANCE	CE
COLOR TEMPERATURE	Daylight 5600K
CRI	93
TLCI	96

FUNCTIONALITY	
SIGNAL INPUT/OUTPUT	DMX Control
CONTROL MODE	Brightness and DMX Addressing
FOCUS ADJUSTMENT	Manual rear control knob
BEAM ANGLE	15-50 degrees
BEAM SHAPING	Using included barn doors
DMX UNIVERSE	DMX512; 5-pin In & Out
INPUT DMX SIGNAL LOSS	Last Scene Hold
DIMMING RANGE	0 - 100% 8 bit
COOLING	Active
LED LIFETIME	60,000 hours
DISPLAY	LCD Screen

LED TYPE	
STYLE OF LED	COB

ENVIRONMENTAL DATA	
OPERATION IN HUMIDITY	10 - 100%
OPERATION TEMPERATURE	10 - 110° F
INDOOR/OUTDOOR	Both

PHYSICAL DATA	
MODEL	WS-F100
FIXTURE WEIGHT	12.5 lb / 5.4 kg
FIXTURE DIMENSIONS	12.5 x 9 x 4 in / 31.7 x 22.8 x 10.2 cm
SHIPPING WEIGHT	15 lb / 6.8 kg
SHIPPING DIMENSIONS	18 x 12 x 12 in / 45.2 x 30.5 x 30.5 cm

WHAT'S INCLUDED	
1 x WS-F100 Light Fixture	
1 x Barn Doors	
1 x Power Cable	
1 x Yoke	

## Photometrics

### 5600K Flood:

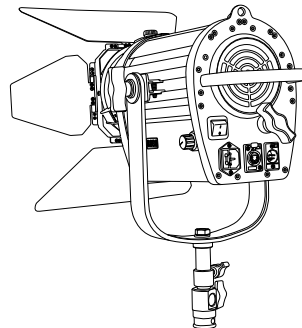
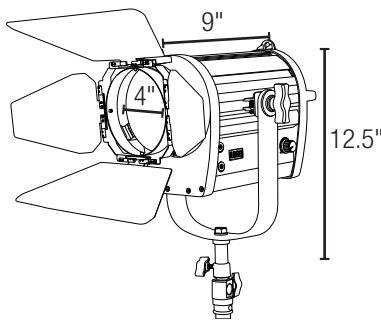
60°	LUX		
		2309	482
60°	METERS		
		1.5M	3M

60°	FC		
		214.5	44.7
60°	FEET		
		5'	10'

### 5600K Spot:

30°	LUX		
		13210	2850
30°	METERS		
		1.5M	3M

30°	FC		
		1227.2	264.7
30°	FEET		
		5'	10'



# White Star 6" Fresnel 200 Watt Light

Model: WS-F200

The White Star 6" Fresnel 200 watt Light features a spot-to-flood focusing knob and a quiet active cooling system to deliver reliable, consistent performance. The light has a solid aluminum construction and an energy efficient LED with a high output and an excellent color rendering index. The White Star includes built-in dimming and a digital display for assigning the light to a DMX channel. The ultra-quiet active cooling fan pulls heat from the fixture, and the four leaf barn doors cut and shape the light or can be folded flat for transportation.



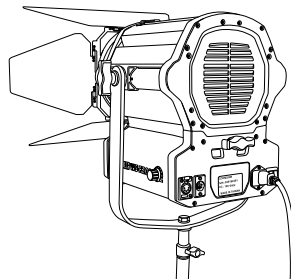
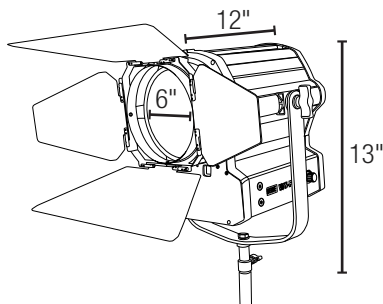
## Photometrics

5600K Flood:

60°	LUX	7614	1614	700
	METERS	1.5M	3M	4.5M
60°	FC	707	149.9	65
	FEET	5'	10'	15'

5600K Spot:

30°	LUX	25466	7318	3087
	METERS	1.5M	3M	4.5M
30°	FC	2365.8	679.8	286.7
	FEET	5'	10'	15'



BEAM ANGLE	
SPOT TO FLOOD RANGE	15-50 degrees
SUITABLE FOR	Studio / Field

MECHANICAL DATA	
CONSTRUCTION	Extruded light weight aluminum alloy
PAINT/FINISH	Black
MOUNTING	Standard Yoke
STAND USE	Baby 5/8" Receiver Pin
LENS	6" Glass Fresnel
HANDLE	None
BARN DOORS	Included; Removable

ELECTRICAL DATA	
LIGHT SOURCE	200 Watt COB LED
POWER INPUT	100-240VAC
OPERATING VOLTAGE	100-240VAC
FREQUENCY	50/60 Hz
MAX POWER CONSUMPTION	275 W
POWER LOSS	Last Scene Hold
POWER CABLE LENGTH	6 ft
STANDARD COMPLIANCE	CE
COLOR TEMPERATURE	Daylight 5600K
CRI	93
TLCI	96

FUNCTIONALITY	
SIGNAL INPUT/OUTPUT	DMX Control
CONTROL MODE	Brightness and DMX Addressing
FOCUS ADJUSTMENT	Manual rear control knob
BEAM ANGLE	15-50 degrees
BEAM SHAPING	Using included barn doors
DMX UNIVERSE	DMX512; 5-pin In & Out
INPUT DMX SIGNAL LOSS	Last Scene Hold
DIMMING RANGE	0 - 100% 8 bit
COOLING	Active
LED LIFETIME	60,000 hours
DISPLAY	LCD Screen

LED TYPE	
STYLE OF LED	COB

ENVIRONMENTAL DATA	
OPERATION IN HUMIDITY	10 - 100%
OPERATION TEMPERATURE	10 - 110° F
INDOOR/OUTDOOR	Both

PHYSICAL DATA	
MODEL	WS-F200
FIXTURE WEIGHT	20 lbs / 9.1 kg
FIXTURE DIMENSIONS	13 x 10 x 12 in / 33 x 25.4 x 30.5 cm
SHIPPING WEIGHT	24 lb / 10.9 kg
SHIPPING DIMENSIONS	18 x 15 x 17 in / 45.7 x 38.1 x 43.2 cm

WHAT'S INCLUDED	
1 x WS-F200 Light Fixture	
1 x Barn Doors	
1 x Power Cable	
1 x Yoke	

# STUDIO GALLERY

**KRGV STUDIOS**



**NTV HOUSTON STUDIOS**



**OPPENHEIMER FUNDS STUDIOS**



**WLKY STUDIOS**



**WFMZ STUDIOS**



**Ikan International LLC.**  
11500 S. Sam Houston Pkwy West  
Houston, TX 77031  
[www.ikancorp.com](http://www.ikancorp.com)

**CONTACT**  
[sales@ikancorp.com](mailto:sales@ikancorp.com)  
Phone: 1.713.272.8822  
Fax: 713.995.4994