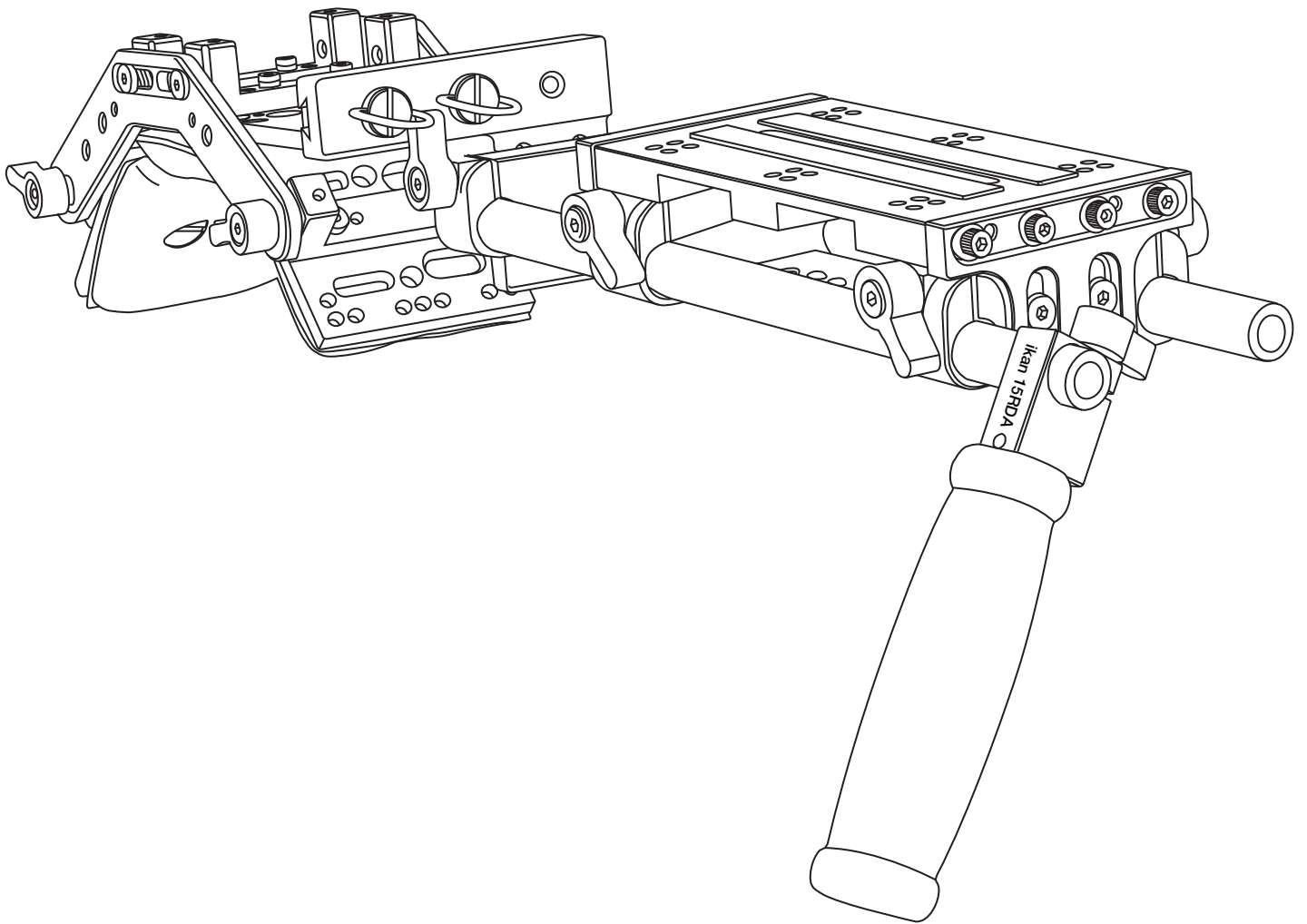


# Stealth-ENG

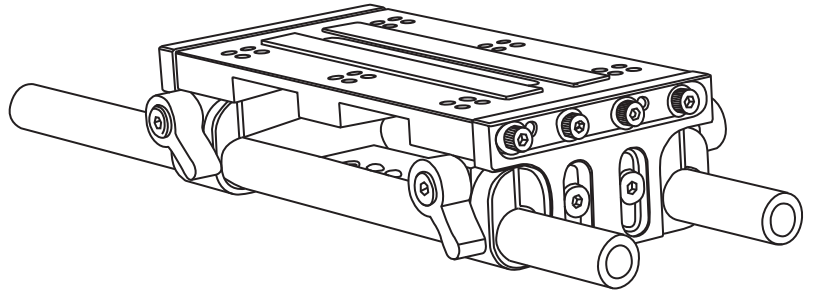
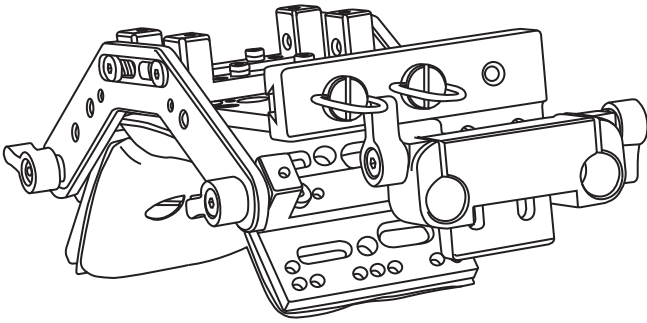
## EV2 Shoulder Mount System QUICKSTART GUIDE



# Stealth-ENG

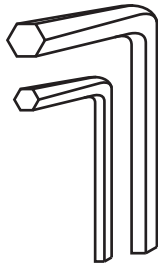
## EV2 Shoulder Mount System QUICKSTART GUIDE

### What's included

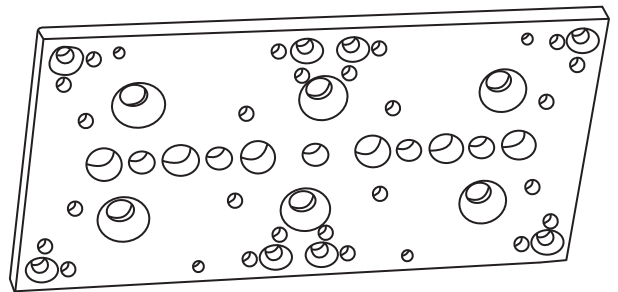


- 1 x ELE-LBP-01, ELE-DBLPT, ELE-BRDG-PT1, ELE-BRDG-PT2, Ikan-TS (4), ELE-SMD\_01 (2), ELE-SMD\_02 (4), DRS-01 (2), ELE-UP (3), ELE-PT (2)

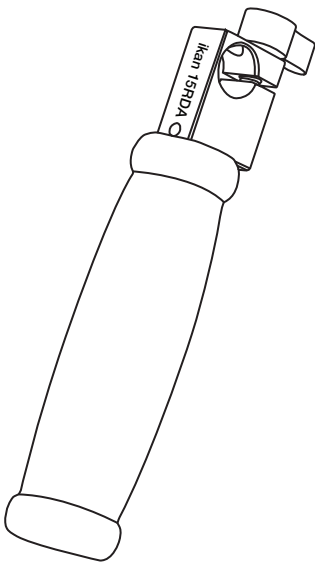
- 1 x ELE-LBP-01 (2), ELE-LBP-02 (2), ELE-LBP-03, ELE-LBP-04, Ikan-TS (4), ELE-15\_12 (2)



- 1 x HEX KEY 3mm
- 1 x HEX KEY 1/8 inch



- 1 x ELE-DBLPT



- 1 x Ikan-TS, ELE-15RDA, ELE-GB-F



- 2 x 4mm x 20mm Socket Head Screw Countersink



- 1 x DRS-01

Checked by

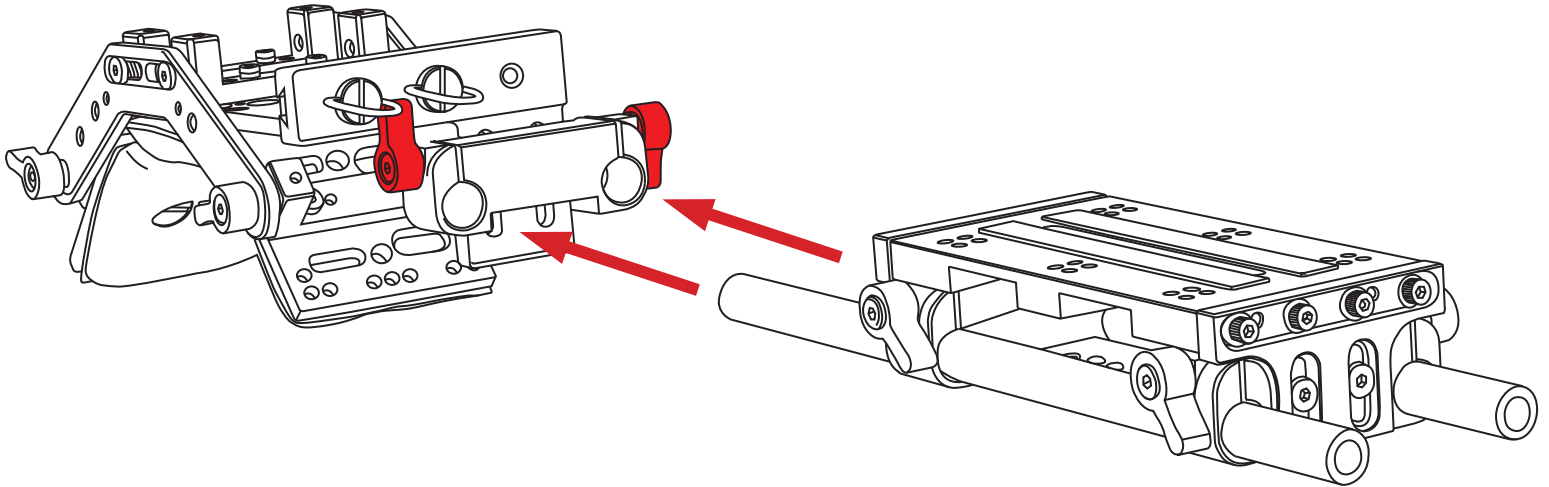
# Stealth-ENG

## EV2 Shoulder Mount System QUICKSTART GUIDE

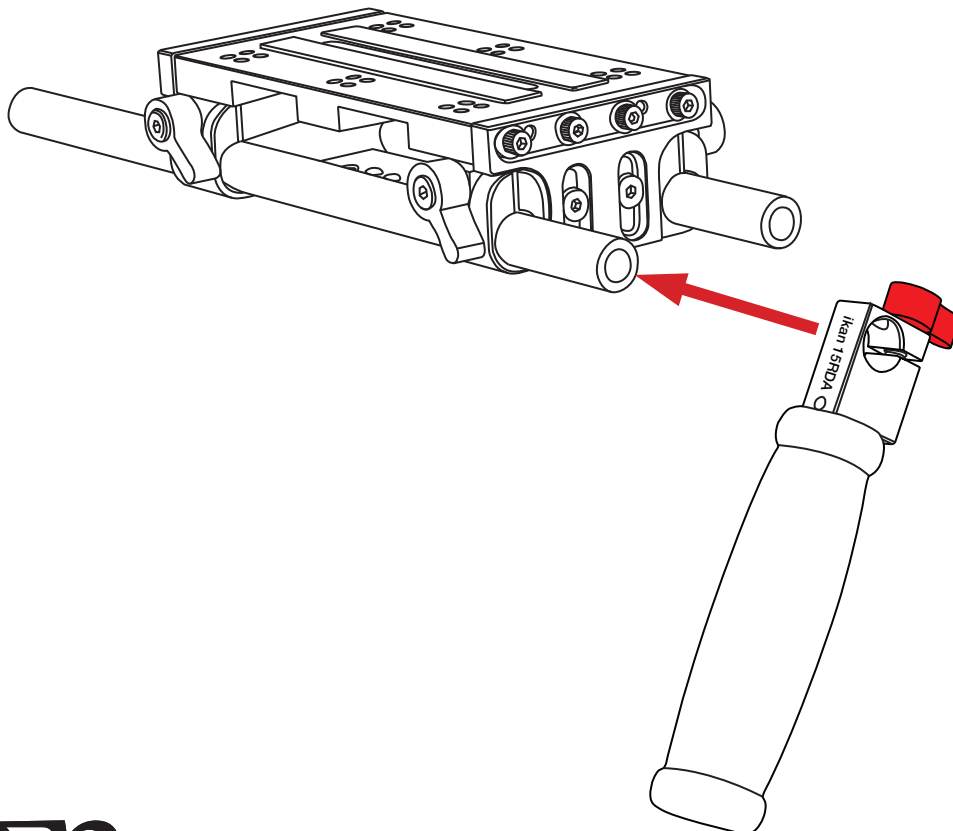
---

### GETTING STARTED

1. Connect the Shoulder Mount to the Base Plate, by sliding the Base Plate's Rods [ELE-15\_12] into the Rod Clamp [ELE-LBP-01] and tightening the Thumb Screws [Ikan-TS].



2. Next, connect the Grip to the Base Plate and tighten Thumb Screw [Ikan-TS].

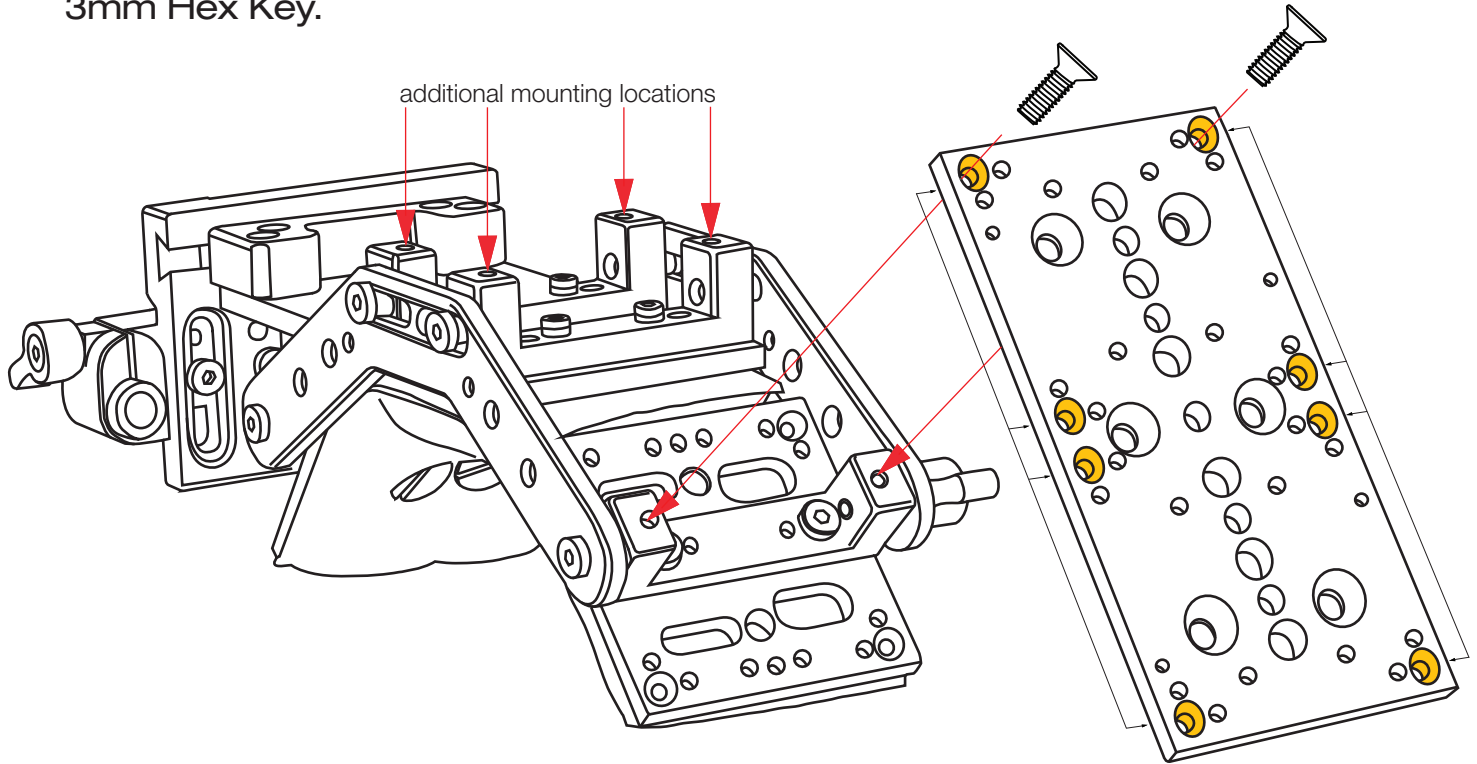


# Stealth-ENG

## EV2 Shoulder Mount System QUICKSTART GUIDE

### DOUBLE CHEESE MOUNTING OPTIONS

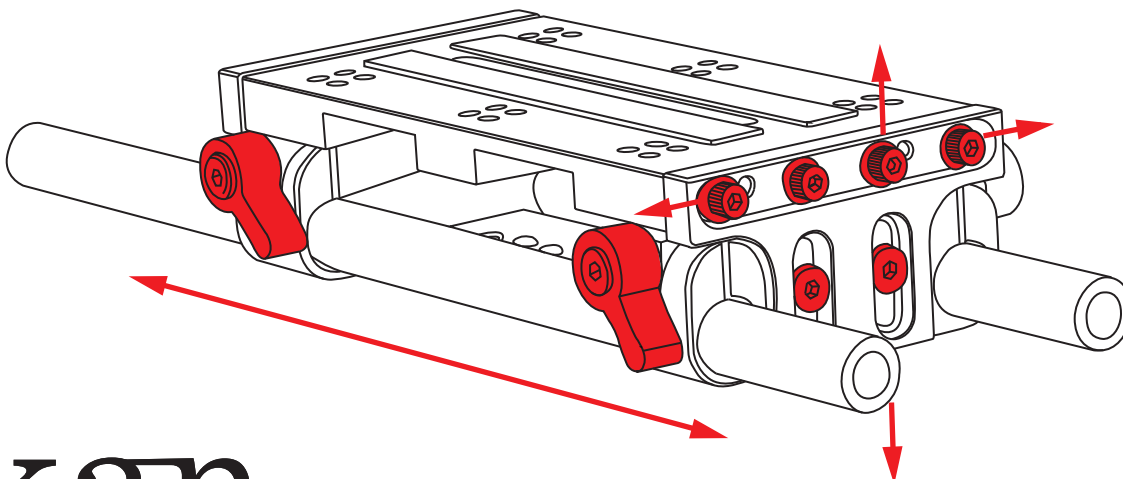
3. Mount the Double Cheese Plate [ELE-DBLPT] on the back of the Shoulder Mount for additional mounting options. There are various available mounting locations. Use 2 x 4mm x 20mm Socket Head Countersink Screws and tighten using the 3mm Hex Key.



\* 8 Available Mounting Screw Holes

### ADJUSTMENT POINTS

1. Numerous Adjustment Points allow for precise positioning modifications. Loosen Thumb Screws to move forward/backwards along 12" Rods. Loosen Hex Screws to make vertical and horizontal adjustments.



ikan

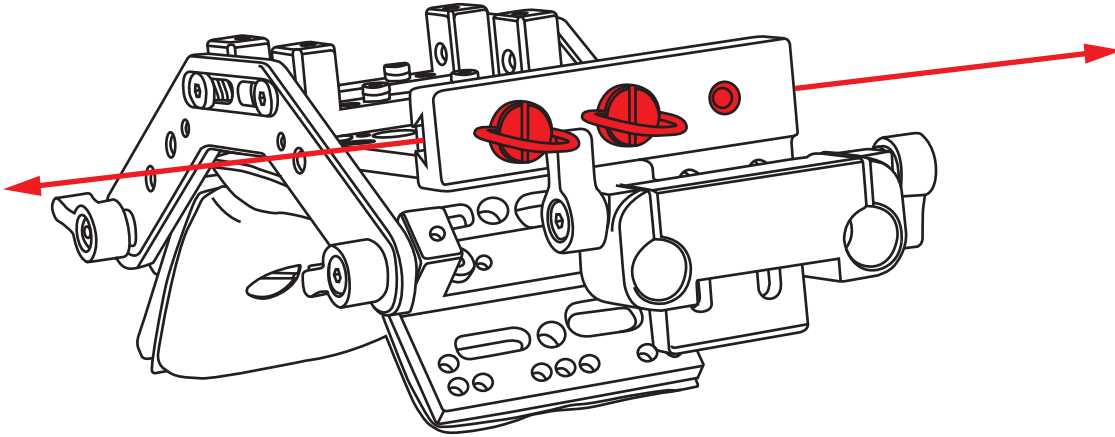
[www.ikancorp.com](http://www.ikancorp.com)

713-272-8822

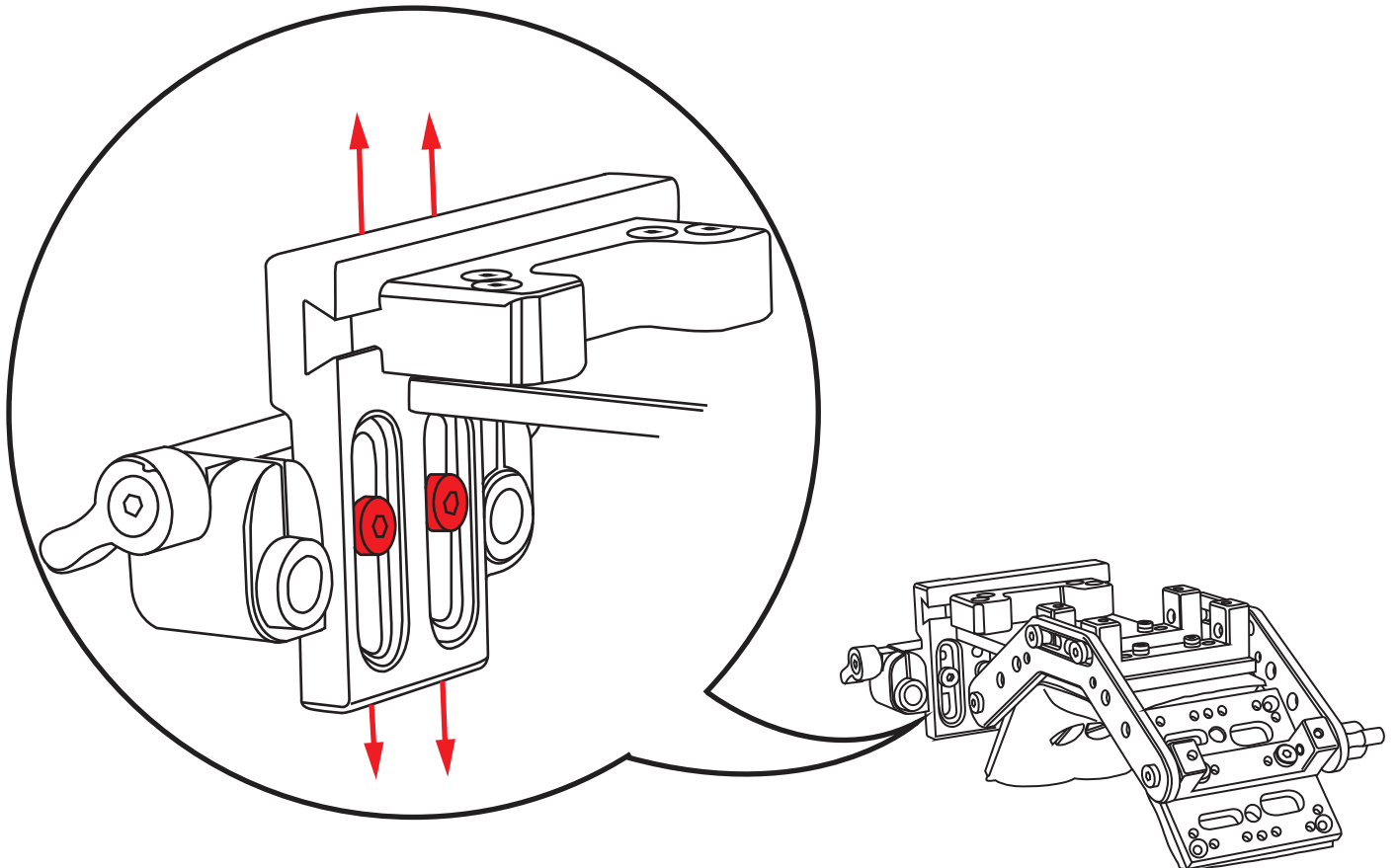
# Stealth-ENG

## EV2 Shoulder Mount System QUICKSTART GUIDE

2. To make horizontal adjustments on the Shoulder Mount, simply loosen the D-Rings, slide and tighten at desired position. 3rd Bolt Hole option available.



3. Vertical Adjustments to the Shoulder Piece can be made by loosening the Hex Screws located on the inside of the unit.

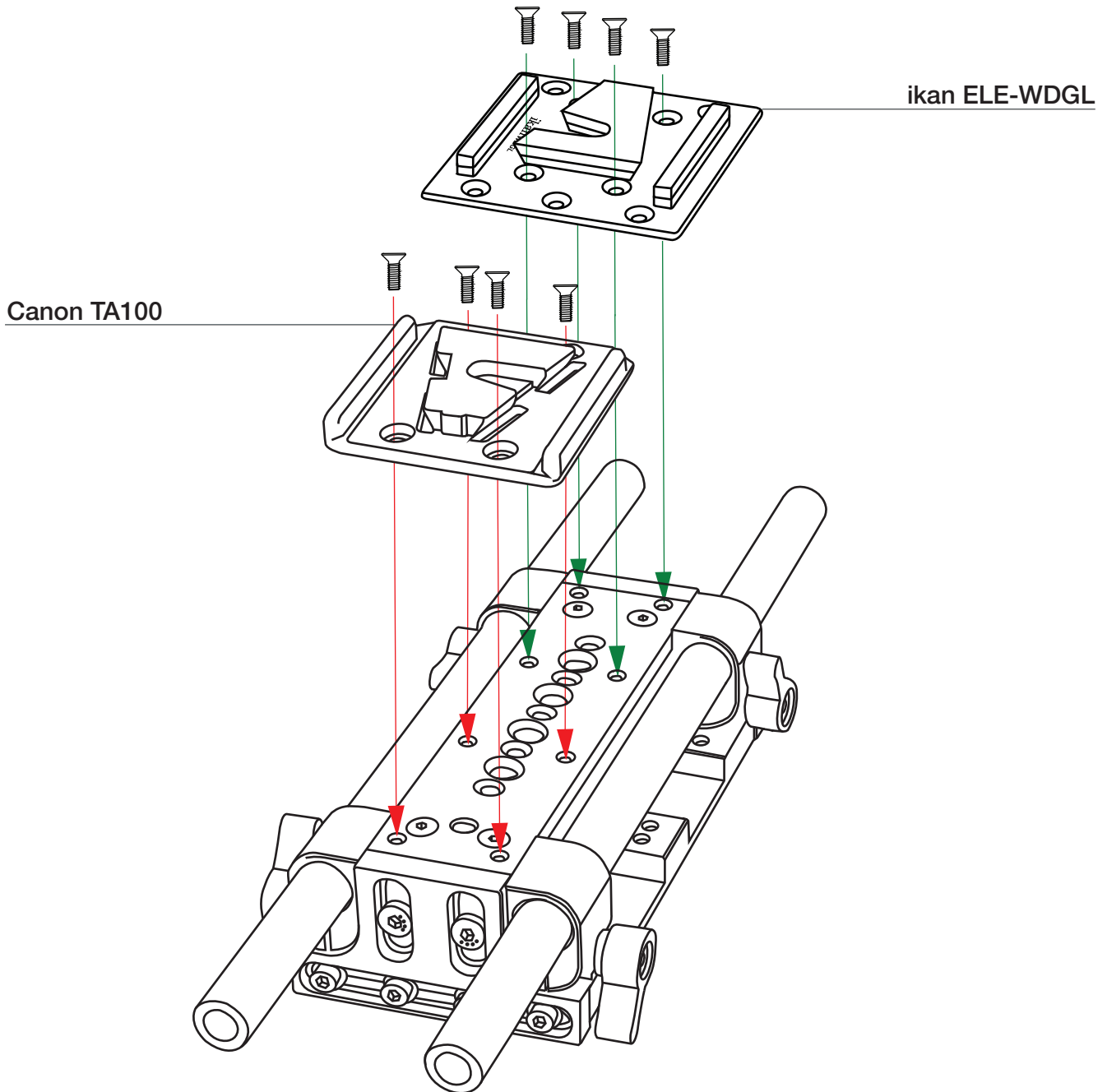


# Stealth-ENG

## EV2 Shoulder Mount System QUICKSTART GUIDE

### QUICK RELEASE MOUNTING OPTIONS

1. The Stealth-ENG is compatible with both the Canon TA100 and ikan-WDGL Tripod Adapter Systems. Simply mount your Quick Release Plate to the bottom of the Large Base Plate component on the appropriate end, using four (4) Socket Head Countersink Screws.

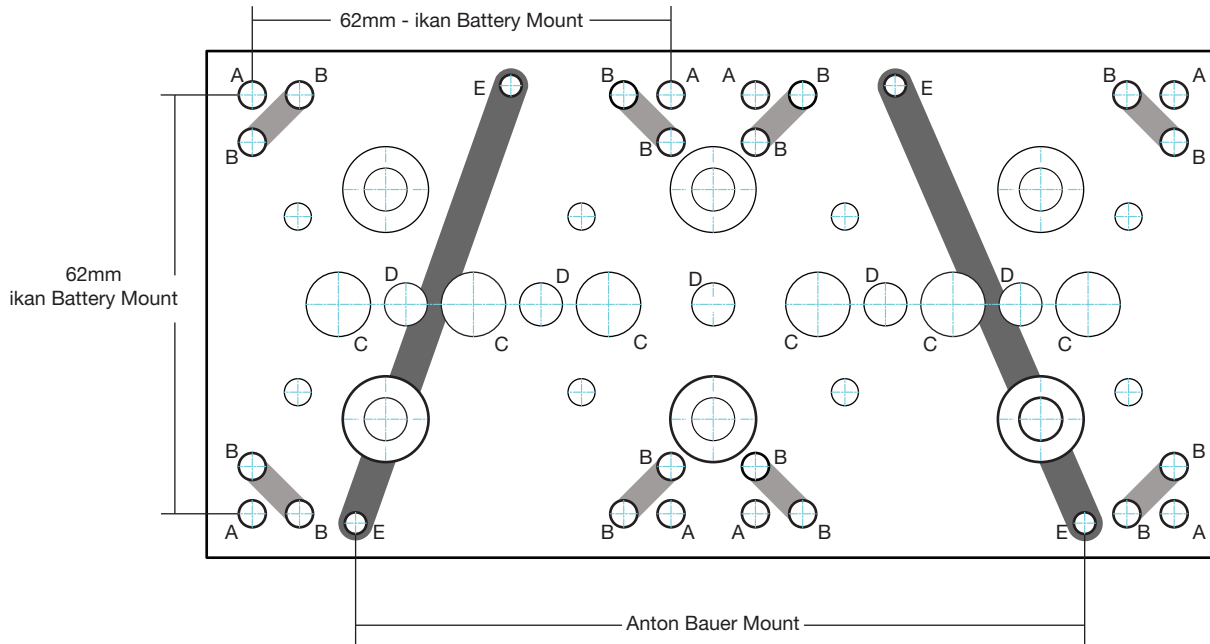


# Stealth-ENG

## EV2 Shoulder Mount System QUICKSTART GUIDE

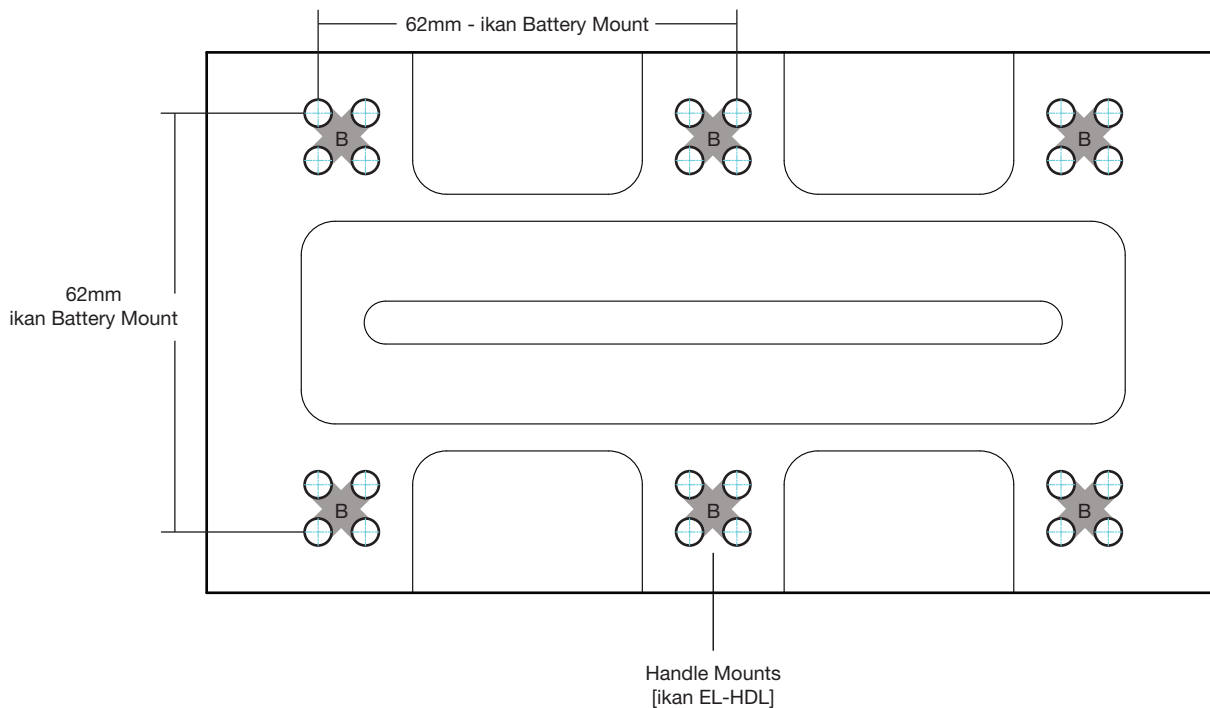
### ADDITIONAL MOUNTING OPTIONS

#### 1. DOUBLE CHEESE [ELE-DBLPT]



\*Hole Chart on next page

#### 2. CAMERA PLATE [ELE-LBP-04]

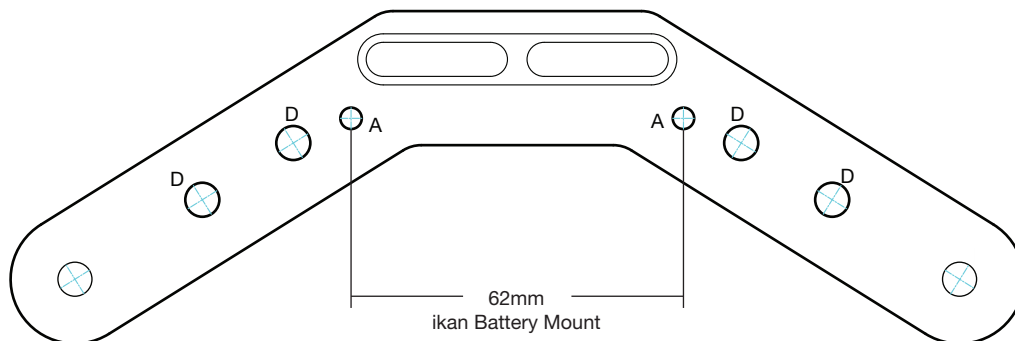


# Stealth-ENG

## EV2 Shoulder Mount System QUICKSTART GUIDE

### ADDITIONAL MOUNTING OPTIONS

#### 3. SHOULDER SIDE PLATE [ELE-SMD-01]



### HOLE CHART

A	ikan 62mm Spacing for mounting AC107 w/ T-Plate, ELE90M, and Cheese Sr.
B	Mounting points for ikan ELE-HDLE (Numerous Mounting Points on Double Cheese & Camera Plate)
C	3/8" 16 Mounting points for Tripods & Accessories
D	1/4" 20 Mounting points for Tripods & Accessories
E	Mounting points for Anton Bauer Battery Plate



# Stealth-ENG

## EV2 Shoulder Mount System QUICKSTART GUIDE

---



---

### CONDITIONS OF WARRANTY SERVICE

- Free service for one year from the day of purchase if the problem is caused by manufacturing errors.
- The components and maintenance service fee will be charged if the warranty period has expired.

Free Service will not be Provided in the Following Situations: (\*Even if the product is still within the warranty period.)

- Damage caused by abuse or misuse, dismantling, or changes to the product not made by the company.
- Damage caused by natural disaster, abnormal voltage, and environmental factors etc.