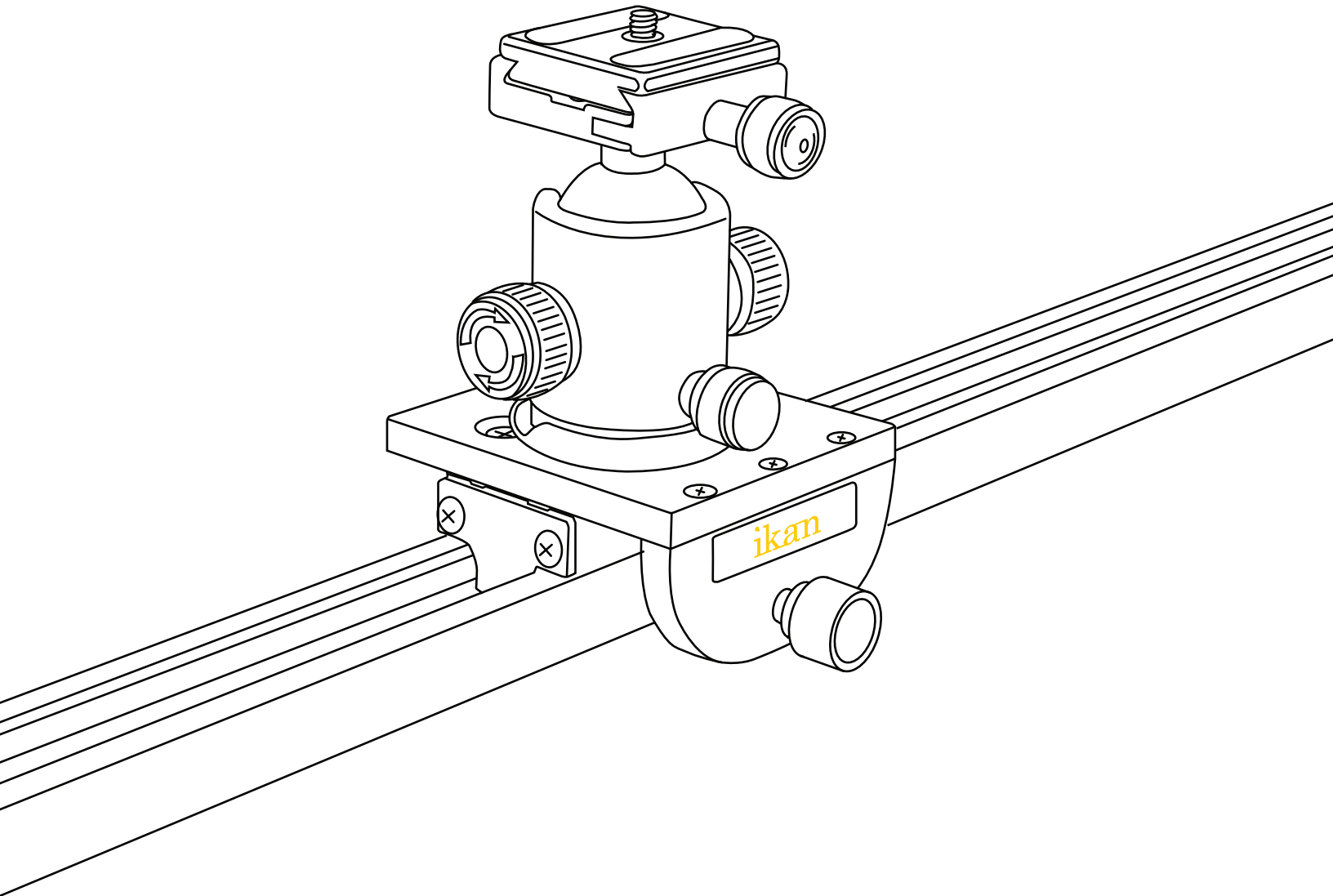


# Slider

## QUICKSTART GUIDE

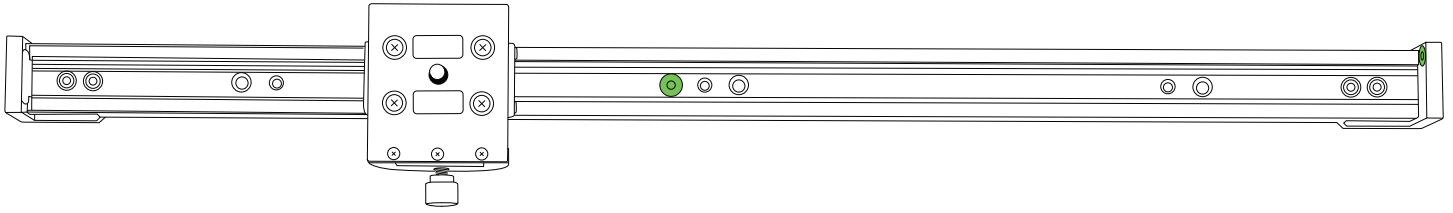
---



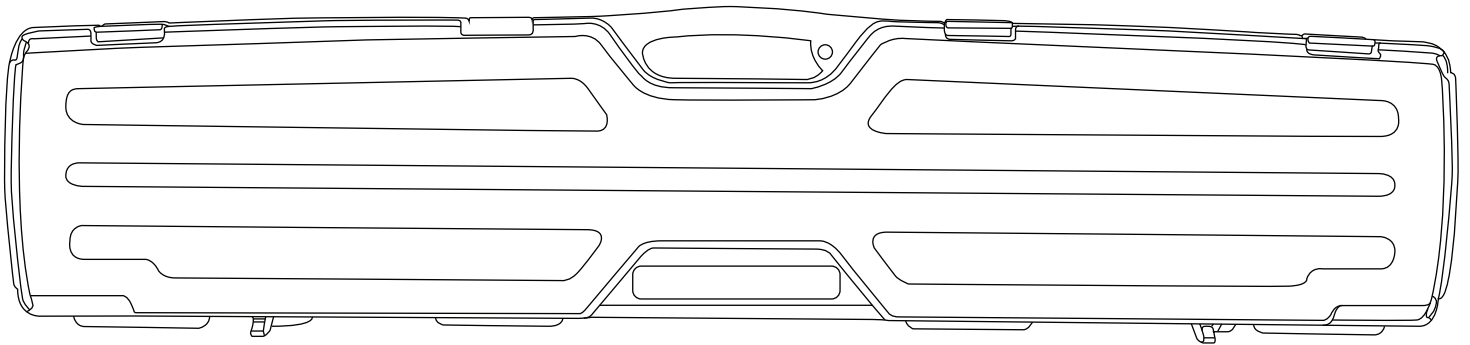
# Slider

## QUICKSTART GUIDE

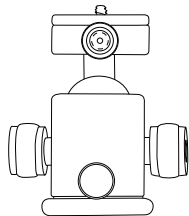
### What's included



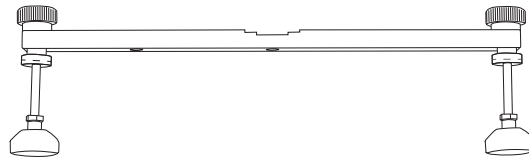
- 1 x Slider



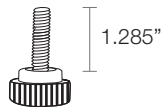
- 1 x Slider Case



- 1 x Adjustable Ball Head



- 2 x Tabletop Feet



- 1 x 1/4-20 Screw for Vertical Assembly



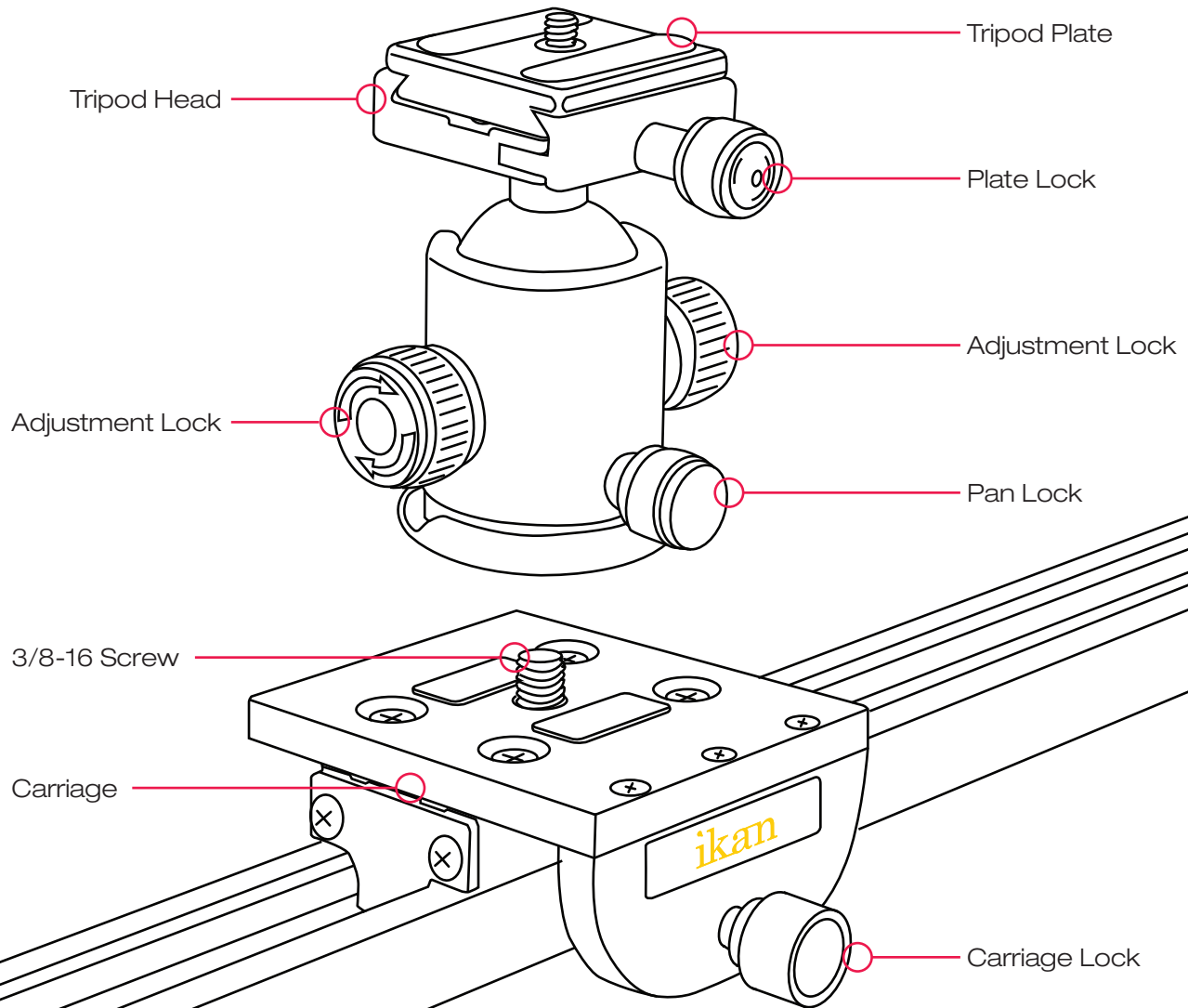
- 2 x 1/4-20 Screw for Mounting Feet

# Slider

## QUICKSTART GUIDE

### GETTING STARTED

Whether shooting horizontally or vertically, you will need to attach the Adjustable Ball Head to the Slider Base. To do so, simply line up the 3/8-16 screw on the Slider Base with the 3/8-16 hole on the bottom of the Adjustable Head and turn clockwise to tighten.



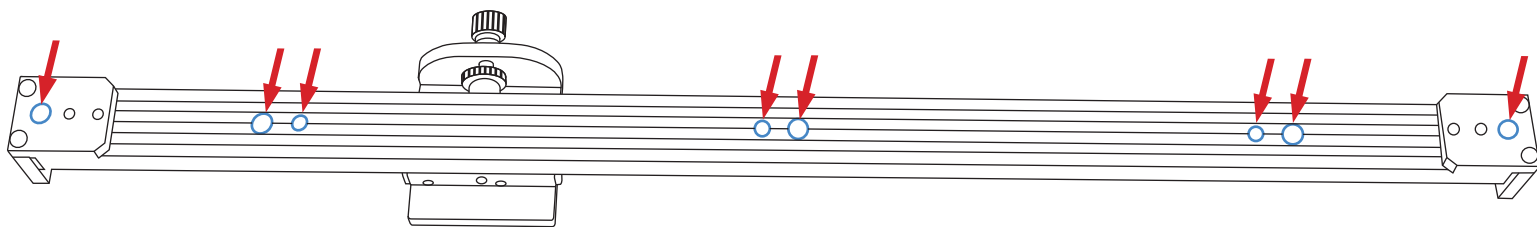
# Slider

## QUICKSTART GUIDE

---

### TRIPOD MOUNTING OPTION

1. Mounting your Tripod Quick Release Plate can be done through either 1/4-20 or 3/8-16 Screw Holes located in the center on the bottom of your Slider. Turn your Slider up-side-down and screw the Quick Release Plate into the appropriate hole and tighten. Finally, mount the Slider to the Tripod by sliding the Quick Release Plate into your Tripod head and tighten. Use the Level located at the center of the Slider to ensure proper balance. Neither Tripod nor Quick Release Plate are included with your Slider.



---

### DUAL STAND MOUNTING OPTION

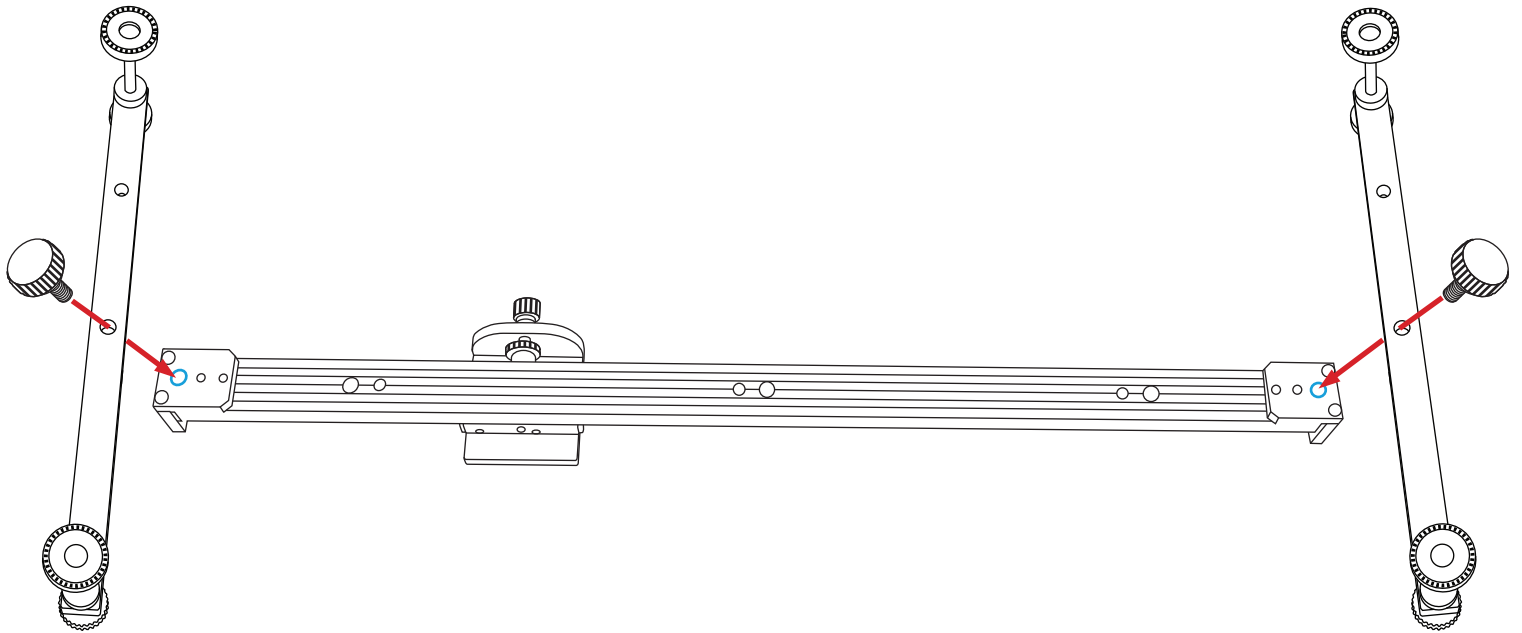
2. Two points of contact will significantly increase stability, while still maintaining the flexibility to make height adjustments. This can be achieved by using two Light Stands, Tripods, or Clamps. A combination of two types would work as well. Thread size options are 1/4-20 and 3/8-16. Screw in both Stands into appropriate hole on either end of your Slider and tighten. Use the Level located at the center of the Slider to ensure proper balance.

# Slider

## QUICKSTART GUIDE

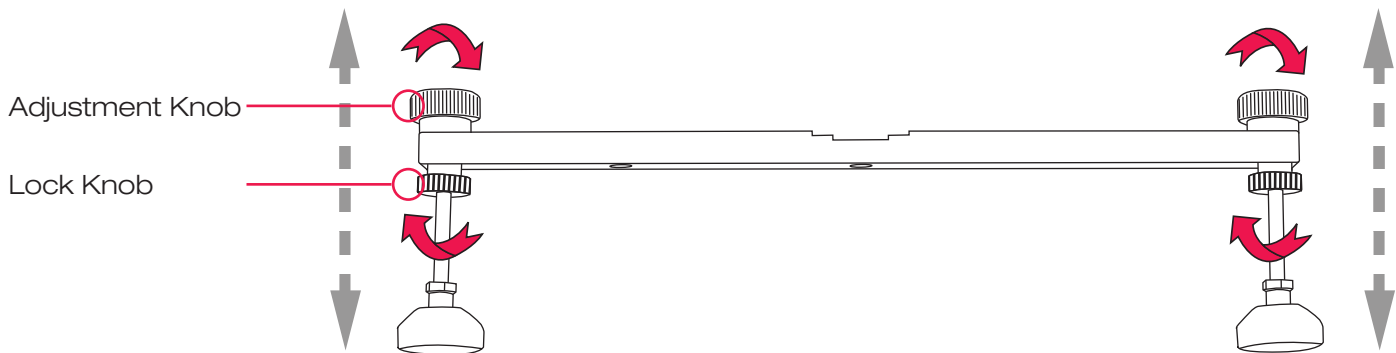
### TABLETOP FEET MOUNTING OPTION

3. Mounting the Tabletop Feet to your Slider is quick and easy. First, turn the Slider up-side-down. Next, line up the 3/8-16 holes at the ends of your Slider with the 3/8-16 hole at the center of the Tabletop Feet. Make sure the Tabletop Feet are pointing up. Insert one of the 0.85" 3/8-16 Thumb Screws through the Tabletop Feet and into the Slider base, and tighten. Repeat these steps for the second set of Tabletop Feet, using the second 0.85" 3/8-16 Thumb Screw.



### TABLETOP FEET HEIGHT ADJUSTMENT

4. Proper balance can be achieved by loosening or tightening the Adjustment Knob, which will raise or lower the height of that Foot, while using the Level located at the center of the Slider Base as a reference. Tighten the Lock Knob to secure.

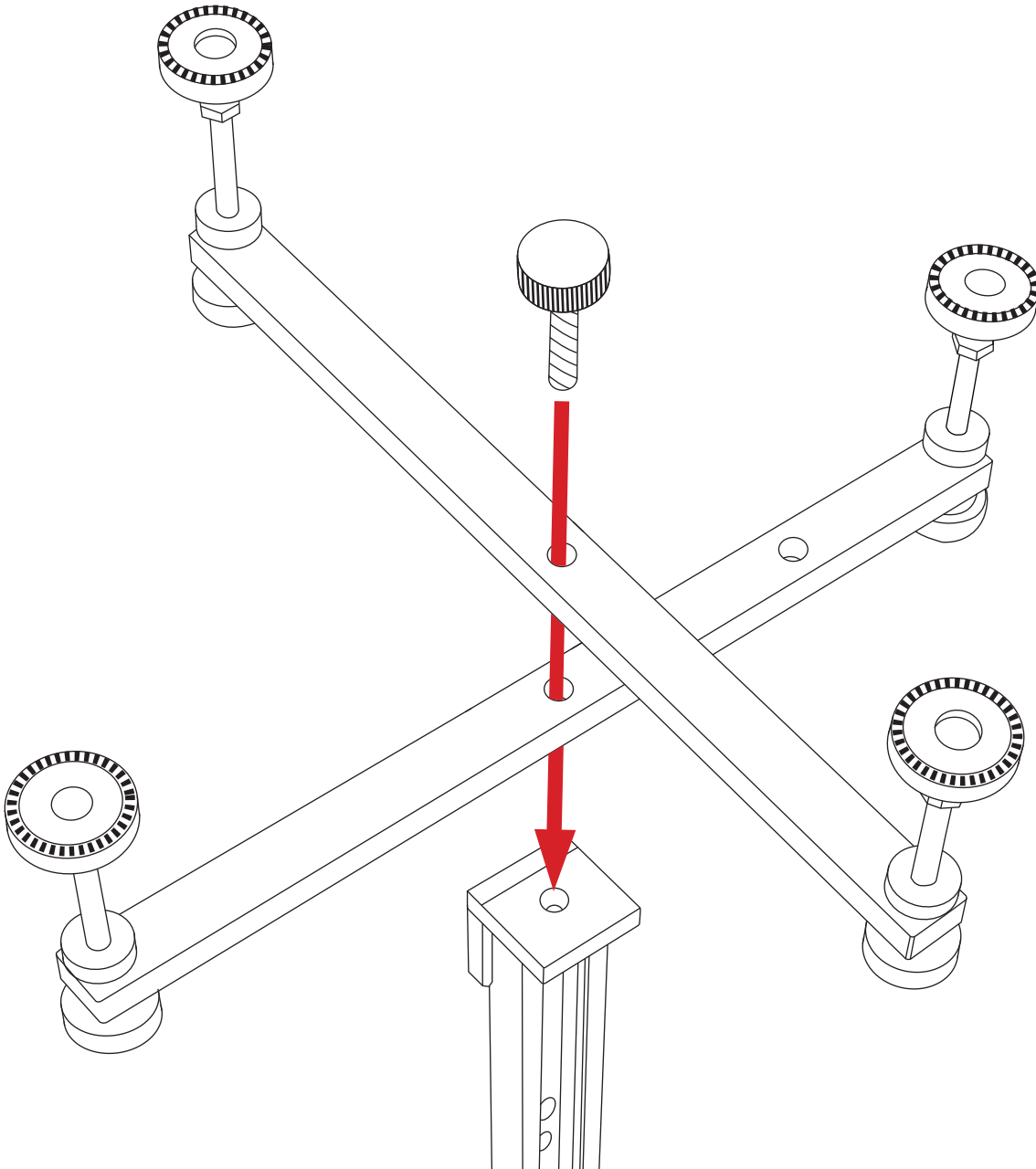


# Slider

## QUICKSTART GUIDE

### VERTICAL CONFIGURATION

- Setting up your Slider in a vertical configuration will require the 1.285" 3/8-16 Thumb Screw. First, stand your Slider up vertically so that the 3/8-16 hole is on top. Next, align the center hole on both your Tabletop Feet so that the two sets of feet intersect with one another. Insert the 3/8-16 Thumb Screw through both sets of Tabletop Feet and into the Slider Body, and tighten for a secure fit. Finally, stand your Slider up vertically by flipping it over. Ensure proper balance by using the level located at the bottom of your Slider and adjusting individual feet.

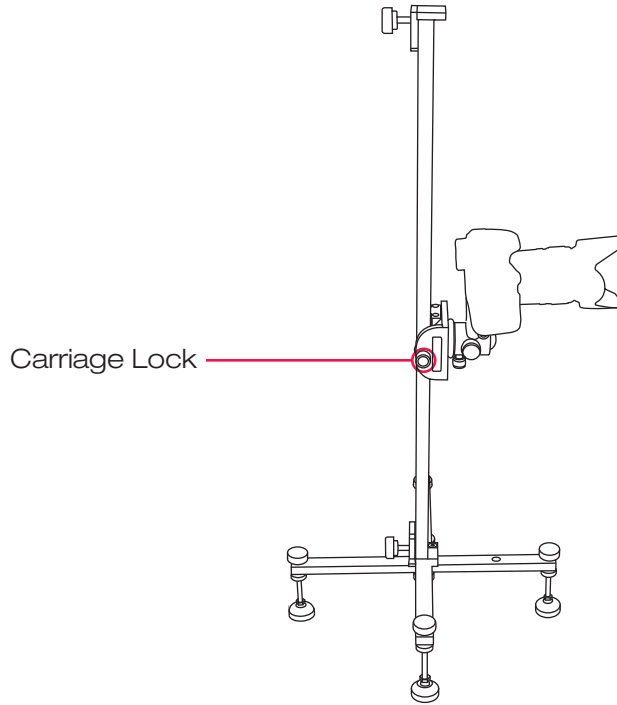


# Slider

## QUICKSTART GUIDE

### VERTICAL CONFIGURATION

- Using the Slider in the Vertical Configuration will require you to support and guide the camera movement with your hands. Use the Carriage Brake to lock the position in place.



### USEFUL FEATURES

- The Carriage Lock will secure your position in both Horizontal and Vertical configurations, while the Levels help ensure proper balance and positioning.

