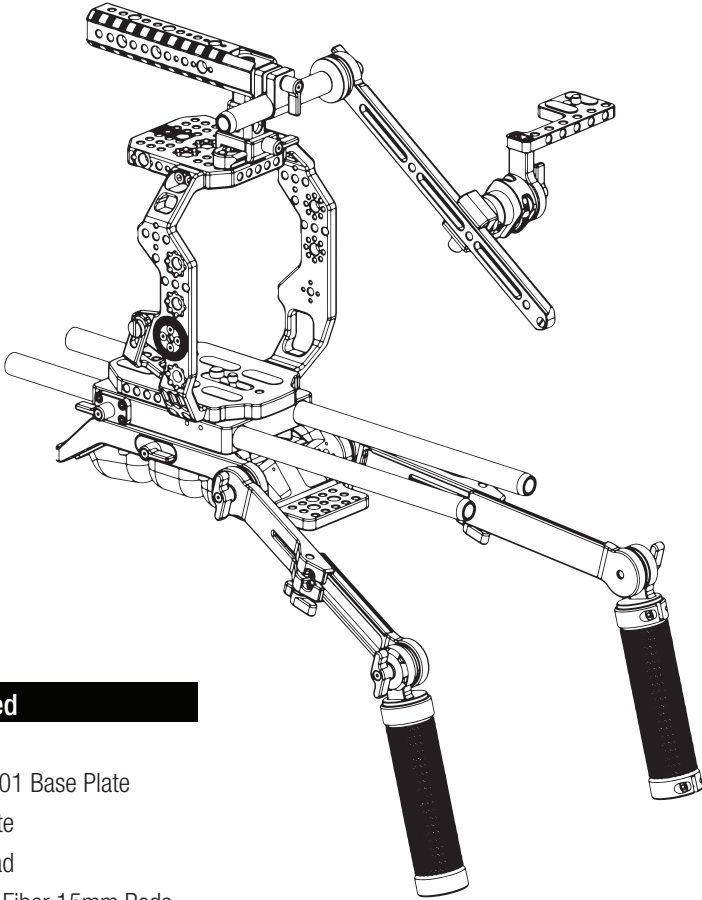


Stratus Complete Shoulder Mount Rig System for Canon C500 Mk II & C300 Mk III



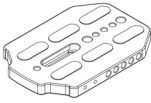
What's Included

- 1 x Top Plate
- 1 x Manfrotto 501 Base Plate
- 1 x Adapter Plate
- 1 x Shoulder Pad
- 2 x 16" Carbon Fiber 15mm Rods
- 2 x Rubber Handgrips
- 2 x Extendable Dog Bones
- 1 x 15mm Rod Adapter
- 1 x Top Handle
- 1 x EVF/Monitor Mount
- 2 x Sideplates
- 1 x Counterweight (2x 2.5lbs)
- 1 x Standard NATO Rail

Features

- Complete Shoulder Mount Rig System for Canon C500 Mk II & C300 Mk III
- Includes Two Handgrips
- Shoulder Pad Features Manfrotto 501 Mount
- Includes Two Carbon fiber 15mm rods
- Compatible with Monitors up to 7 inches
- Compatible with any Arri Rosette Mounted EVF
- Rotatable Monitor/EVF mount

What's Included



1. Adapter Plate



2. Arri Rosette
EVF Holder Rotator



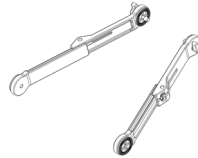
3. Cable Guard



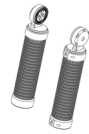
4. Carbon Fiber
15mm Rods



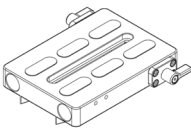
5. Counterweight



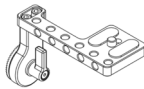
6. Dogbones



7. Handgrips



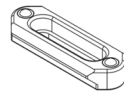
8. Manfrotto
501-Style Baseplate



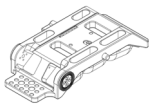
9. Monitor Holder



10. NATO Rail
Monitor Holder



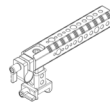
11. NATO Rail



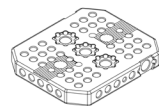
12. Shoulder Pad



13. Side Plates



14. Top Handle

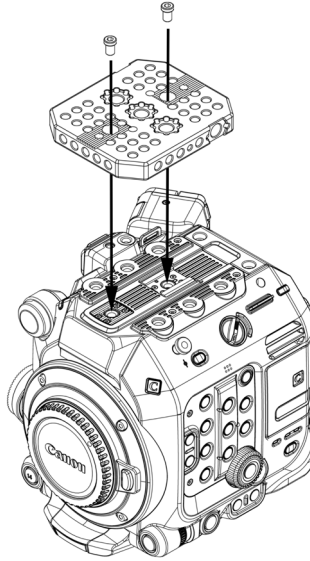


15. Top Plate

Setup

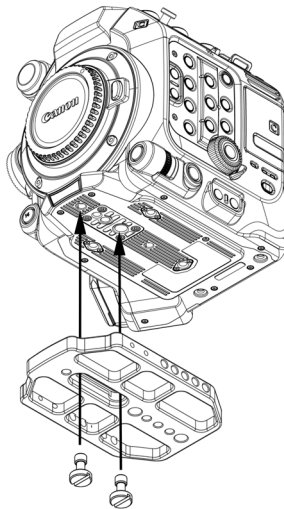
Step 1: Attach the Top Plate

Attach the Top Plate (15) to the C500 placing it over the camera and making sure that the main screw holes are aligned. Secure the Top plate by fastening two ¼-20 screws to the top of the camera.



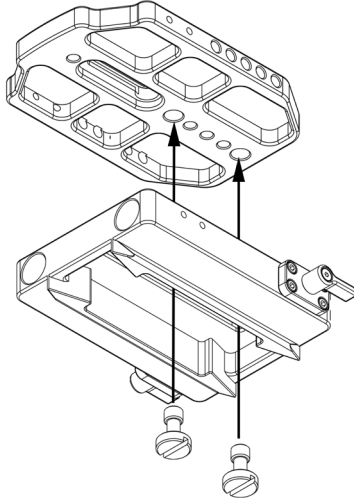
Step 2: Attach the Adapter Plate

Attach the adapter plate (1) to the bottom of the camera by aligning the screw holes, then fasten the screws to secure the plate.

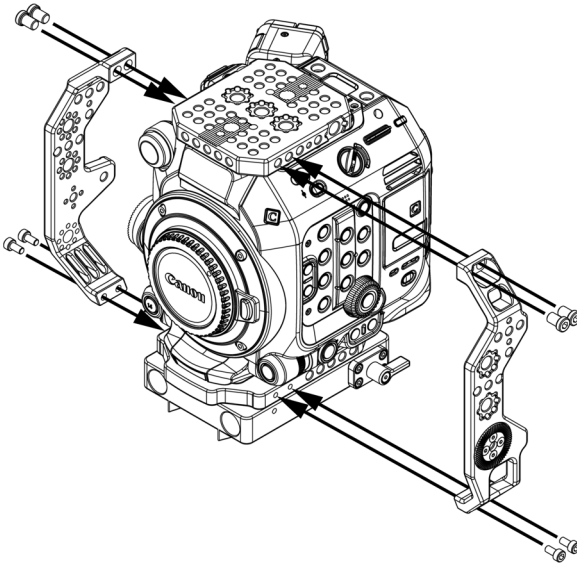


Step 3: Attach the Baseplate

Attach the Manfrotto 501-Style Baseplate (8) to the bottom of the adapter plate (1) by aligning the baseplate (8) until the screw holes match. Fasten the large screws to the adapter plate (1)

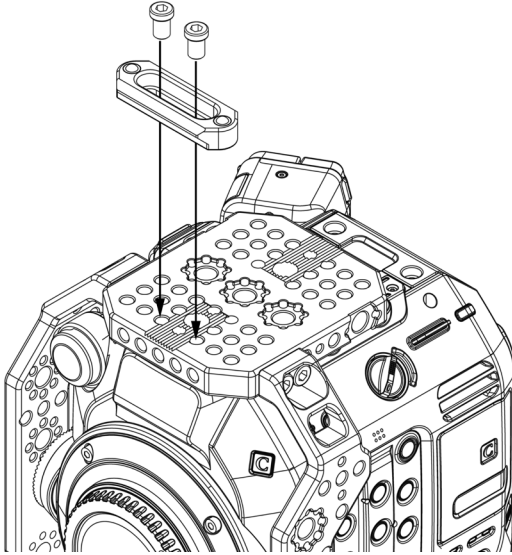


Step 4: Attach the Side Plates



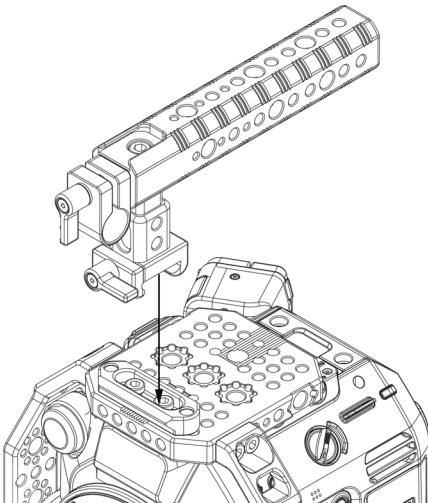
Step 5: Attach the NATO Rail

Attach the NATO rail (11) by aligning the screw holes with the Top Plate (15) and fastening the 1/4-20 screws.

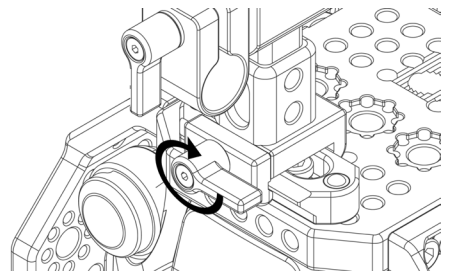


Step 6: Attach the Top Handle

To attach the Top Handle (14) to the rig, first make sure that the NATO Rail (11) attachment on the Top Handle (14) is mostly loosened. Then place the Top Handle over the NATO Rail (11).

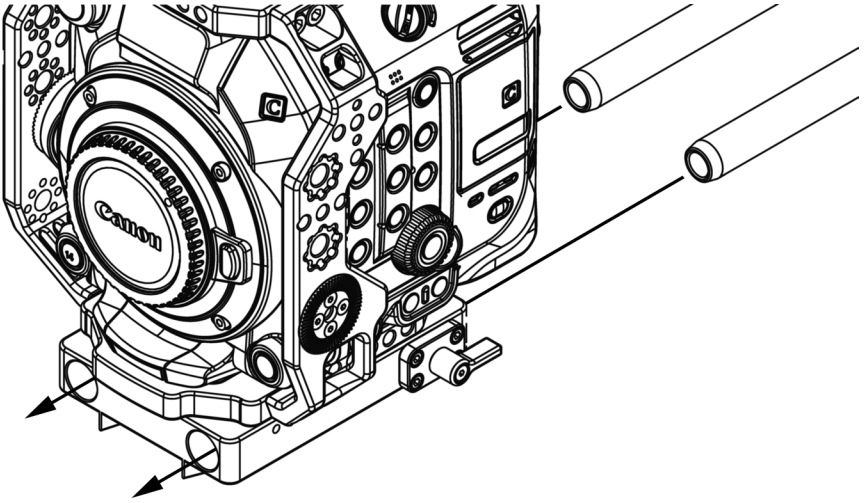


Tighten the NATO Rail (11) attachment on the Top Handle (14) by tightening the thumb screw.

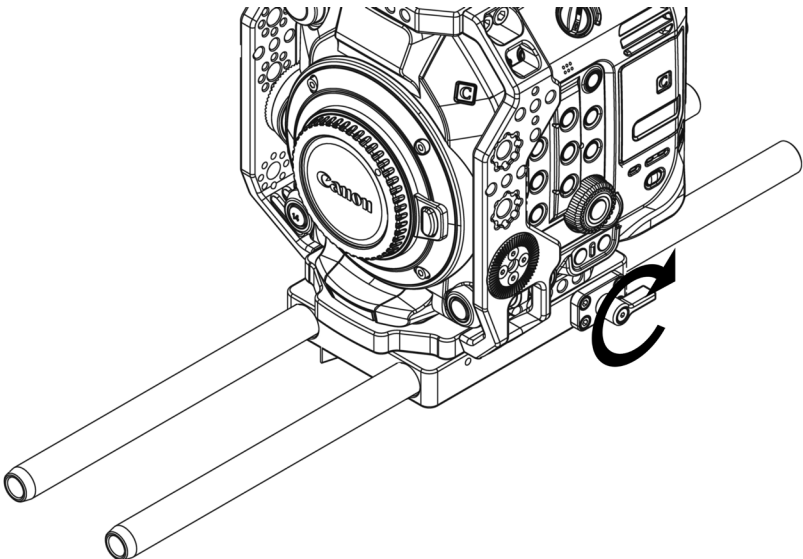


Step 7: Attach the 15mm Rods

Attach the Carbon Fiber 15mm rods (4) by sliding them in to the Manfrotto 501-Style Baseplate's (8) rod slots.

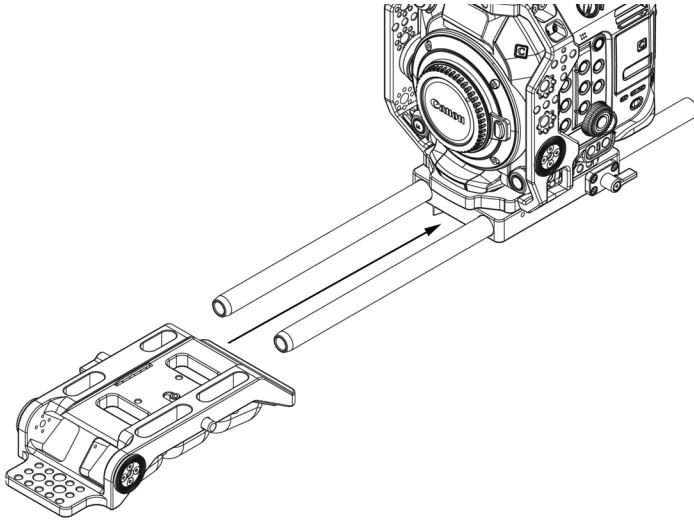


To secure the 15mm rods (4), tighten both of the thumb screws located on the Manfrotto 501-style Baseplate (8).

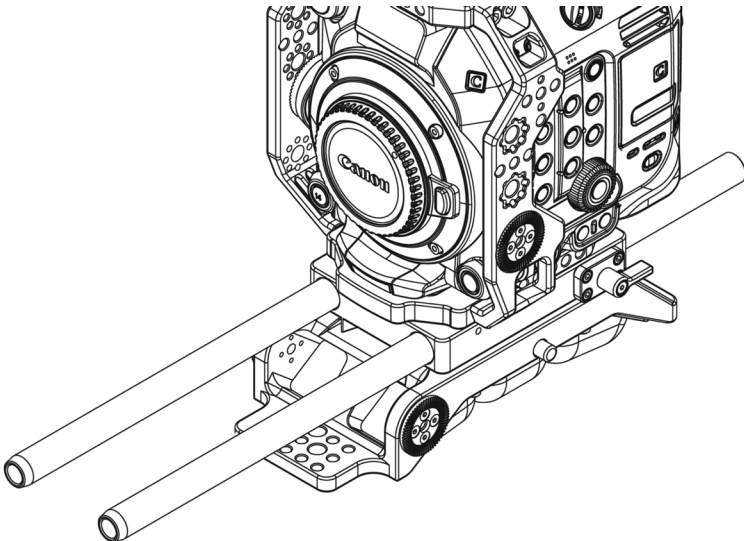


Step 8: Attach the Shoulder Pad

Attach the Shoulder Pad (12) by sliding it into the bottom of the Manfrotto 501-style Baseplate (8). Make sure the thumbscrew on the side of the Shoulder Pad (12) is loosened before sliding the Shoulder Pad in.

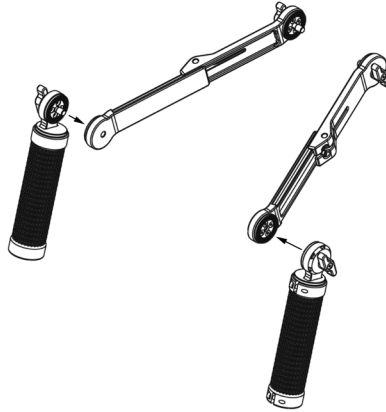


Tighten the thumbscrew on the Shoulder Pad (12) to secure it to the Baseplate (8)

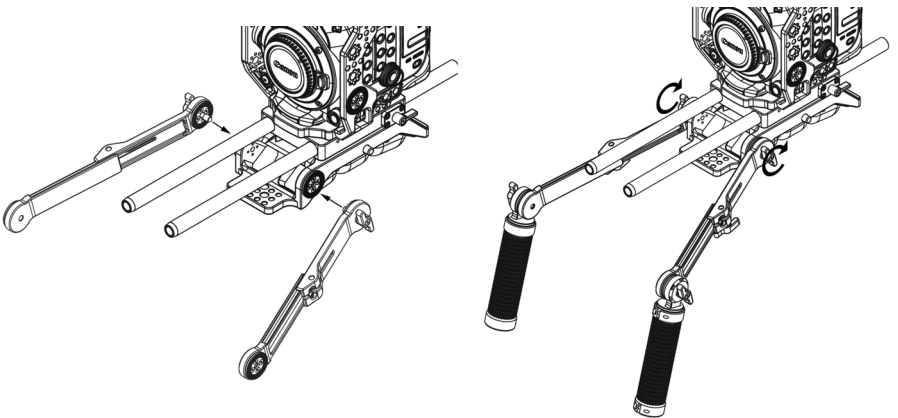


Step 9: Attach the Handgrips and Dogbones

Attach the Handgrips (7) to the Dog bones (6) by aligning the rosettes and tightening the thumbscrews.



Attach the Dogbones (6) to the Shoulder Pad (12) by aligning the rosettes and tightening the thumbscrews.

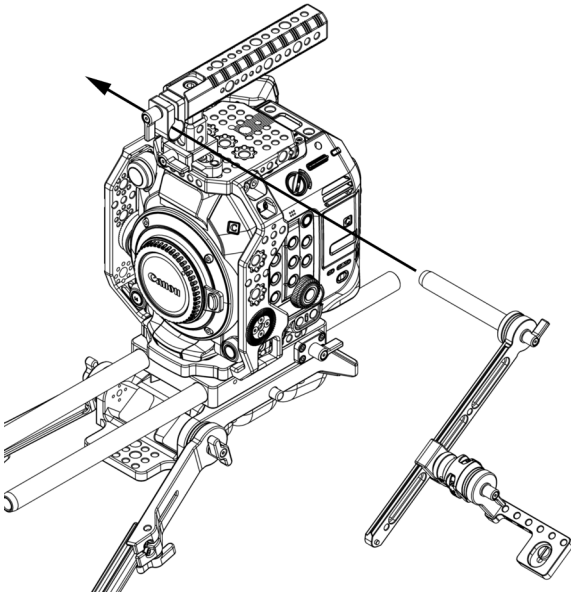


Step 10: Assemble and Attach the Monitor Holder/EVF Holder

To assemble the Monitor/EVF Holder, slide the Arri Rosette EVF holder Rotator (2) to the NATO Rail Monitor Holder (10) and tighten the thumb screw. Then attach the Monitor Holder (9) to the Arri Rosette EVF holder Rotator (2) by aligning the rosette and tightening it with the thumb screw.



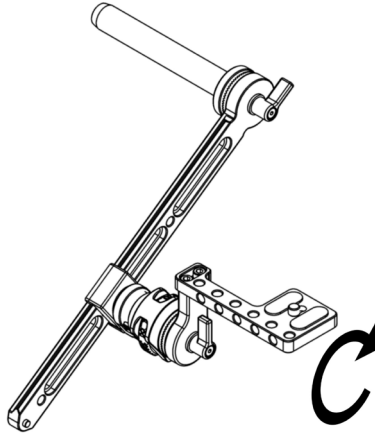
Attach the Monitor/EVF Holder Assembly to the 15mm rod slot on the Top Handle (14) and secure it by tightening the thumbscrew on the Top Handle (14).



Step 10: Assemble and Attach the Monitor Holder/EVF Holder (cont.)

Once the monitor is mounted, you can rotate the pitch to your liking. The monitor rotator tension can be altered by tightening the screw on the NATO Rail attachment.

Note: This system is compatible with any EVF that has an ARRI rosette placed on the side. To attach an EVF, remove the Monitor Holder (9) and attach the EVF directly to the rosette on the Arri Rosette EVF Holder Rotator (2).



For video instructions, please scan the following QR Code



or visit

bit.ly/c500techtip

Learn More

More dynamic information at official website: www.ikancorp.com

Support

Contact email: support@ikancorp.com

CONDITIONS OF WARRANTY SERVICE

- Free service for one year from the day of purchase if the problem is caused by manufacturing errors.
- The components and maintenance service fee will be charged if the warranty period is expired.

Free Service will not be Provided in the Following Situations: (Even if the product is still within the warranty period.)

- Damage caused by abuse or misuse, dismantling, or changes to the product not made by the company.
- Damage caused by natural disaster, abnormal voltage, and environmental factors, etc.

©2020 Ikan International. All rights reserved.

