

SLD-47-PRO

QUICKSTART GUIDE

Heavy Duty Carbon Fiber Slider - 47 Inch



What's Included

- 1 x Carbon Fiber Slider
- 1 x Padded Carry Bag
- 4 x Adjustable Rubber Feet
- 1 x Allen Wrench



ikan

www.ikancorp.com

support@ikancorp.com

713.272.8822

© 2015 ikan Corporation. All rights Reserved

Getting Started

Slider Start-Up:

You can utilize the built-in adjustable legs or mount it to one tripod (using the slider's lower mounting plate). Also, you may utilize two tripods or heavy duty stands on both end plates using the 1/4"-20 or 3/8"-16 mounting points.

Slider Center Mount

A 3/8"-16 thread in the center of the camera platform is provided to mount ball-level heads, fluid heads, and quick release plates, making camera mounting and removal easy. Any flat mount 3/8"-16 threaded fluid head will mount to the slider without tools. Mount your camera to the provided plate with these products.

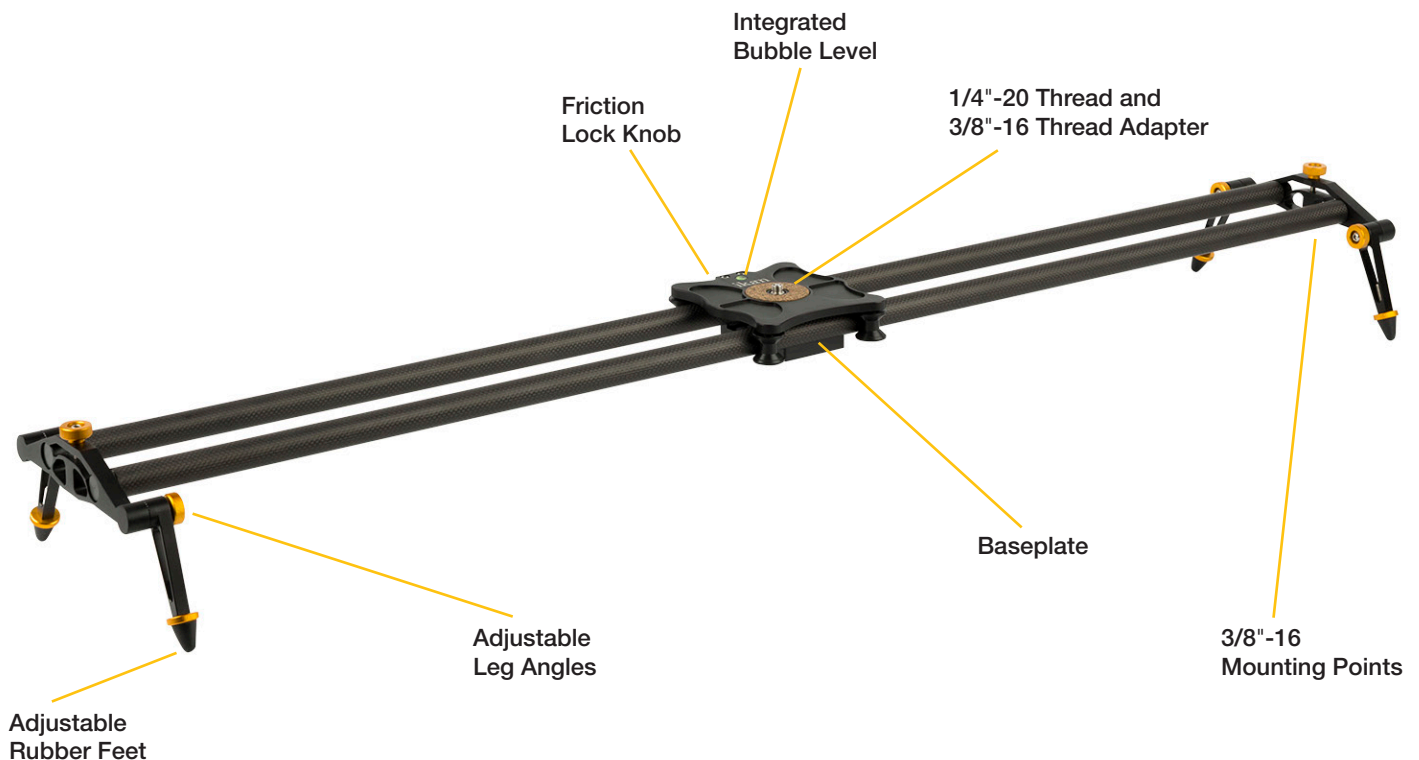
Level & Shoot:

When shooting, find a stable platform or use tripods and stands to level your slider. Use the slider carriage brake to lock the movement while leveling the slider. The legs have rosettes to adjust to angles. Use the provided bubble level to see when the slider is level. Note: Always lock your slider when not operating or near the camera to ensure safe movement on the slider.

You may operate the slider from the base (preferred) or by pushing the camera or head down the tracks. Using just fingertips to gently push the slider will help feather the movement from start to stop. The finesse you put into the slider movement will show in your shots.

Caring for your Slider:

The sealed bearings in the slider are maintenance-free, however, if you get dirt or sand in moving components you may clean with a moist cloth, blow out with air and lightly oil only the bearing races with graphite or multi-purpose oil. And never feed after midnight!



Specifications

Specifications	
Supported Camera Weight	20 lbs
Travel Length	47 in
Weight	3.25 lbs

Optional Accessories

Some other products that work well with the SLD-47-PRO available from Ikan include:

EG03A2	2-Stage Aluminum Tripod w/ GH03 Head
IK-RSR3	3" Camera Riser
IK-RSR6	6" Hi-Hat Riser
ELE-DOVETAIL-9	Elements Camera Mount w/ 9" Dovetail Plate and Riser
GH03F	Flat Base Pro Fluid Head 11 lbs Max
MA207	7" Articulating Arm
MA211	11" Articulating Arm

Common Practices and Acceptable Use Guidelines:

When using this slider, be sure to keep full control of the carriage. When the slider is not in use, lock the carriage using the friction lock knob.

When moving the slider, lock the carriage and remove the camera and any accessories from the slider and carriage.

Slider end-pieces are not designed to withstand uncontrolled or multiple impacts. They are there to support the slider rails and carriage, and can be positioned to reduce the overall travel distance of the carriage. If the carriage makes contact with an end piece, check the position of the piece and the integrity of the lock that piece has on the rails.

Never let the carriage move uncontrolled. Doing so may result in damage to the slider and mounted equipment (cameras, lenses, etc.)

Learn More

More dynamic information at official website: www.ikancorp.com

Support

Contact email: support@ikancorp.com

CONDITIONS OF WARRANTY SERVICE

- Free service for one year from the day of purchase if the problem is caused by manufacturing errors.
- The components and maintenance service fee will be charged if the warranty period is expired.

Free Service will not be Provided in the Following Situations:(*Even if the product is still within the warranty period.)

- Damage caused by abuse or misuse, dismantling, or changes to the product not made by the company.
- Damage caused by natural disaster, abnormal voltage, and environmental factors, etc.