

# SLD-31

31" Carbon Fiber Camera Slider

## QUICKSTART GUIDE



### What's Included

- 1 x Carbon Fiber Slider
- 1 x Padded Carry Bag
- 4 x Adjustable Rubber Feet

CHECKED BY

ikan

[www.ikancorp.com](http://www.ikancorp.com)

[support@ikancorp.com](mailto:support@ikancorp.com)

713.272.8822

© 2015 ikan Corporation. All rights Reserved

# Getting Started

## Slider Start-Up:

You can utilize the built-in adjustable legs or mount it to one tripod (using the slider's lower mounting plate). Also, you may utilize two tripods or heavy duty stands on both end plates using the 1/4"-20 or 3/8"-16 mounting points.

## Slider Center Mount

A 3/8"-16 thread in the center of the camera platform is provided to mount ball-level heads, fluid heads, and quick release plates, making camera mounting and removal easy. Any flat mount 3/8"-16 threaded fluid head will mount to the slider without tools. Mount your camera to the provided plate with these products.

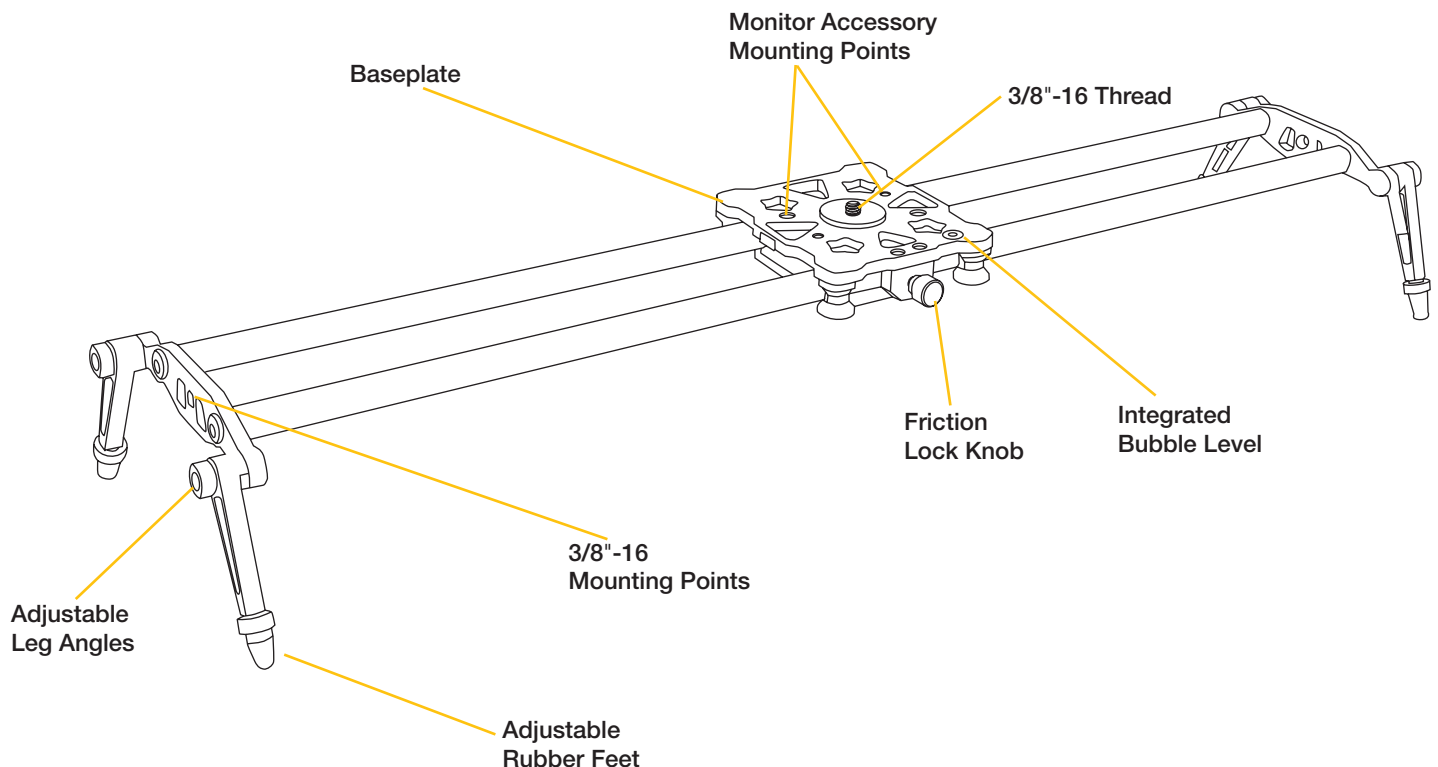
## Level & Shoot:

When shooting, find a stable platform or use tripods and stands to level your slider. Use the slider carriage brake to lock the movement while leveling the slider. The legs have rosettes to adjust to angles. Use the provided bubble level to see when the slider is level. Note: Always lock your slider when not operating or near the camera to ensure safe movement on the tracks.

You may operate the slider from the base (preferred) or by pushing the camera or head down the tracks. Using just fingertips to gently push the slider will help feather the movement from start to stop. The finesse you put into the slider movement will show in your shots.

## Caring for your Slider:

The sealed bearings in the slider are maintenance-free, however, if you get dirt or sand in moving components you may clean with a moist cloth, blow out with air and lightly oil only the bearing races with graphite or multi-purpose oil. And never feed after midnight!



## Specifications

Specifications	
Height	1.9 In. / 5 cm
Length	31 In. / 80 cm
Width	7.8 In. / 20 cm
Net Weight	1.5 lbs / 600 gm
Gross Weight	5 lbs
Packaging Dimensions	36 x 8 x 5.25 In.
Supported Camera Weight	18 lbs / 8 kg
Travel Length	26 In. / 66 cm
Mounting Point	3/8"-16 Mounting Point
Carriage Lock	Friction Lock Knob
Construction	Carbon Fiber, Machined Aluminum, Rubber Feet
Shipping Dimensions	36 x 8 x 5.25 In / 914 x 203 x 133 mm
Shipping Weight	5 lbs / 2.2 kg

## Optional Accessories

Some other products that work well with the SLD-31 available from Ikan include:

<b>IK-RSR3</b>	3" Camera Riser
<b>IK-RSR6</b>	6" Hi-Hat Riser
<b>IK-RSRS</b>	6" Camera Riser Hi-Hat w/ Swivel
<b>100BF</b>	100mm Ball to Flat Adapter
<b>75BF</b>	75mm Ball to Flat Adapter
<b>GH03F</b>	Flat Base Pro Fluid Head 11 lbs Max

## **Learn More**

More dynamic information at official website: [www.ikancorp.com](http://www.ikancorp.com)

## **Support**

Contact email: [support@ikancorp.com](mailto:support@ikancorp.com)

### **CONDITIONS OF WARRANTY SERVICE**

- Free service for one year from the day of purchase if the problem is caused by manufacturing errors.
- The components and maintenance service fee will be charged if the warranty period is expired.

Free Service will not be Provided in the Following Situations:(\*Even if the product is still within the warranty period.)

- Damage caused by abuse or misuse, dismantling, or changes to the product not made by the company.
- Damage caused by natural disaster, abnormal voltage, and environmental factors, etc.