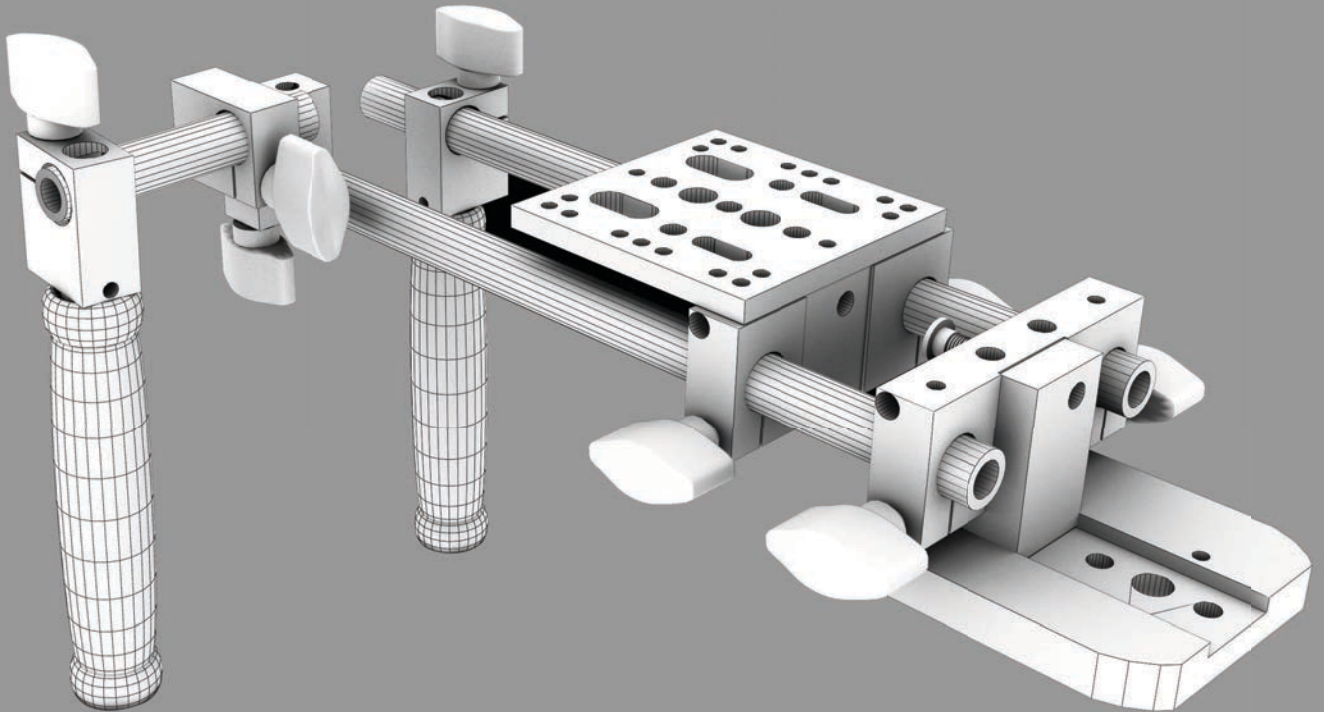


# RECOIL-UGK

Recoil XT Upgrade Kit

QUICKSTART GUIDE



ikan

[www.ikancorp.com](http://www.ikancorp.com)

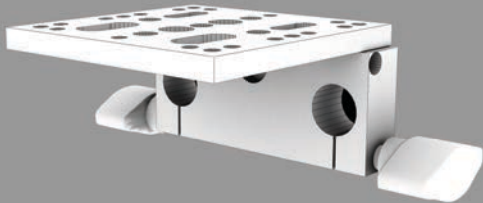
713-272-8822

# RECOIL-UGK

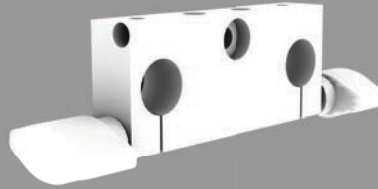
## Camera Stabilization System QUICKSTART GUIDE

### What's included

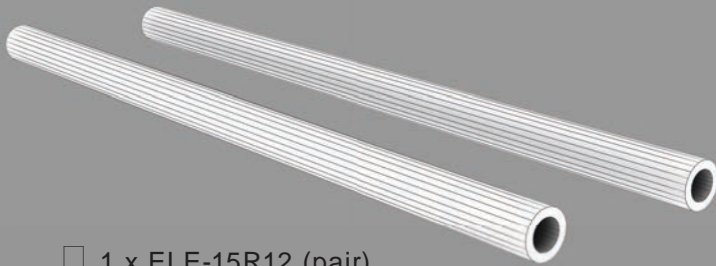
Checked by



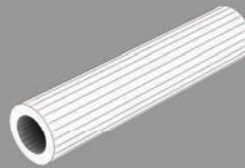
☐ 1 x ELE-PT & ELE-15RM



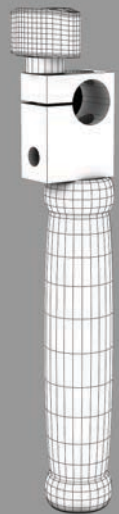
☐ 1 x ELE-15RM



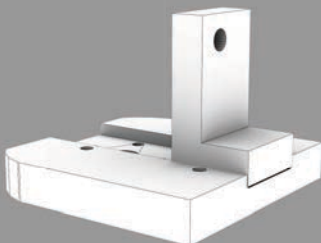
☐ 1 x ELE-15R12 (pair)



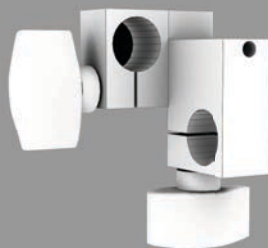
☐ 1 x ELE-15R4



☐ 2 x ELE-15RDA & ELE-GB-F



☐ 1 x ELE-TM



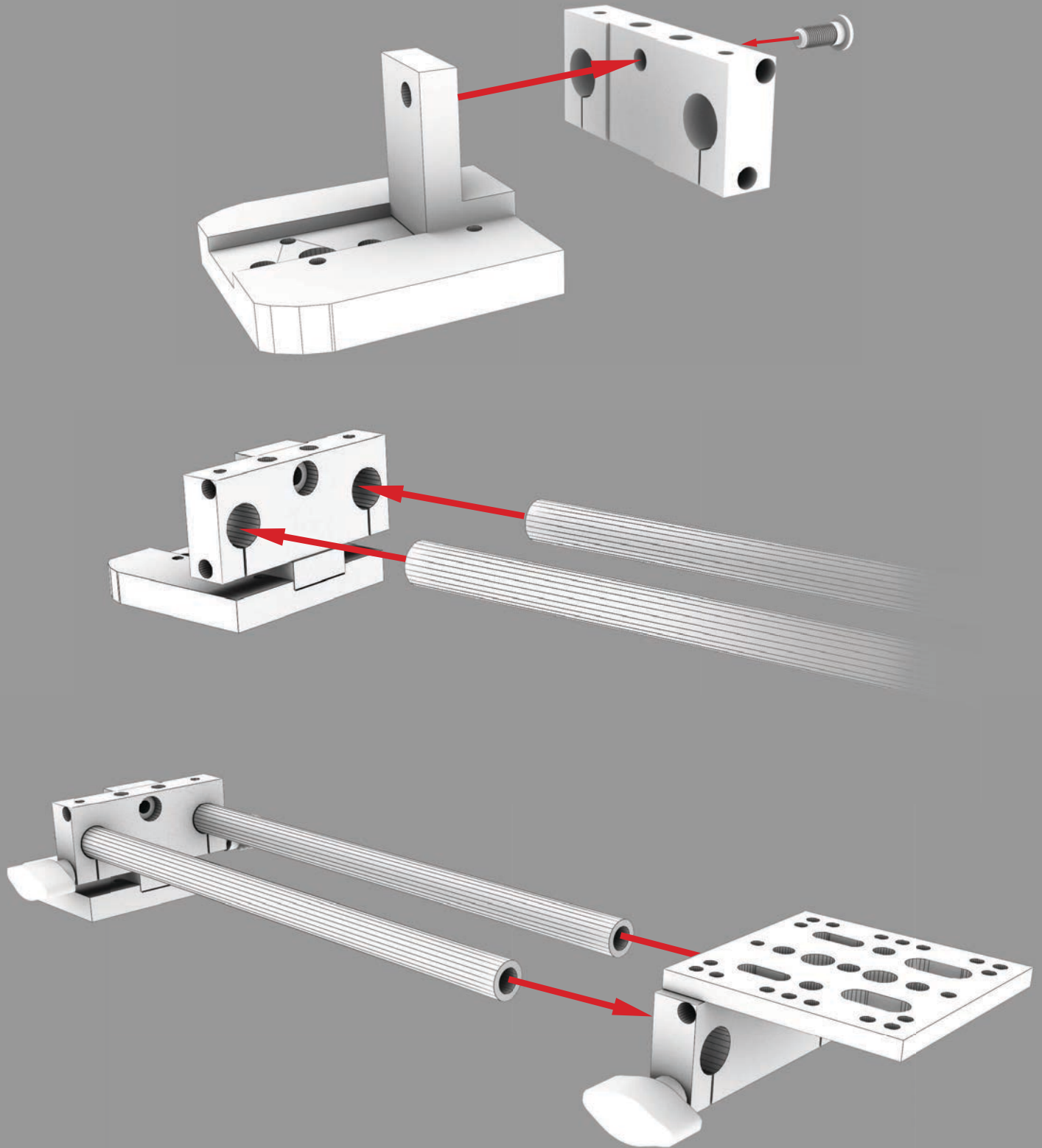
☐ 1 x ELE-15RDA & ELE-90-15RDA



☐ 1 x D-Ring

# RECOIL-UGK

## Camera Stabilization System QUICKSTART GUIDE



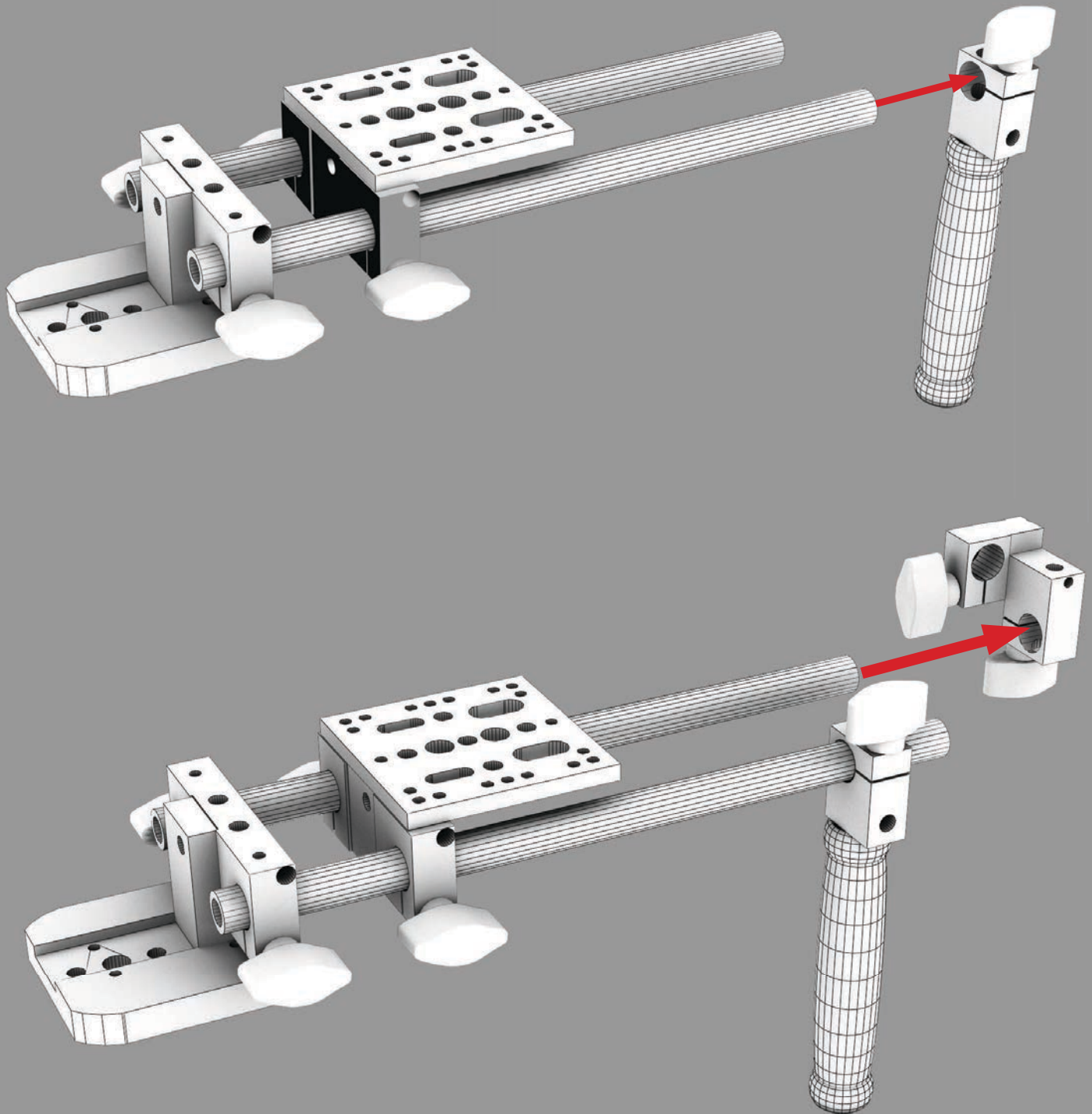
ikan

[www.ikancorp.com](http://www.ikancorp.com)

713-272-8822

# RECOIL-UGK

## Camera Stabilization System QUICKSTART GUIDE



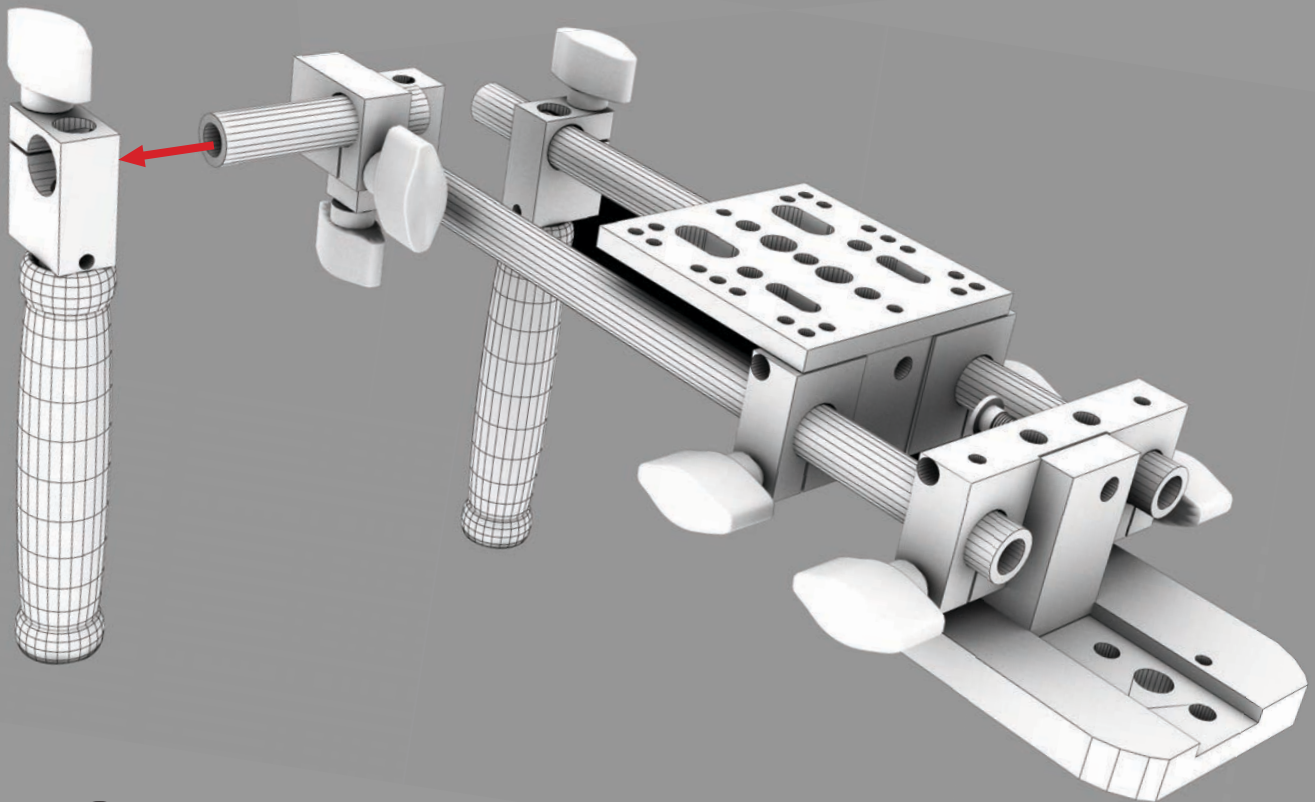
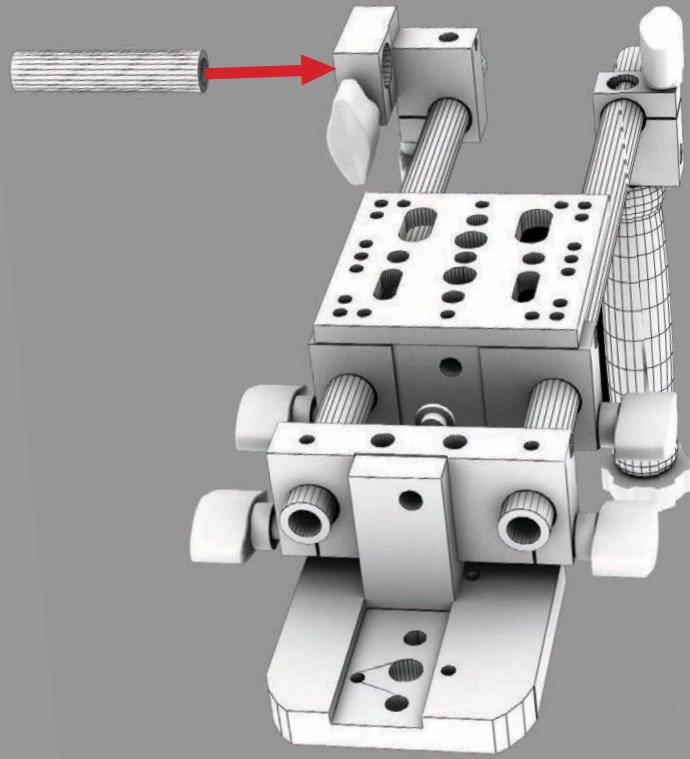
ikan

[www.ikancorp.com](http://www.ikancorp.com)

713-272-8822

# RECOIL-UGK

## Camera Stabilization System QUICKSTART GUIDE



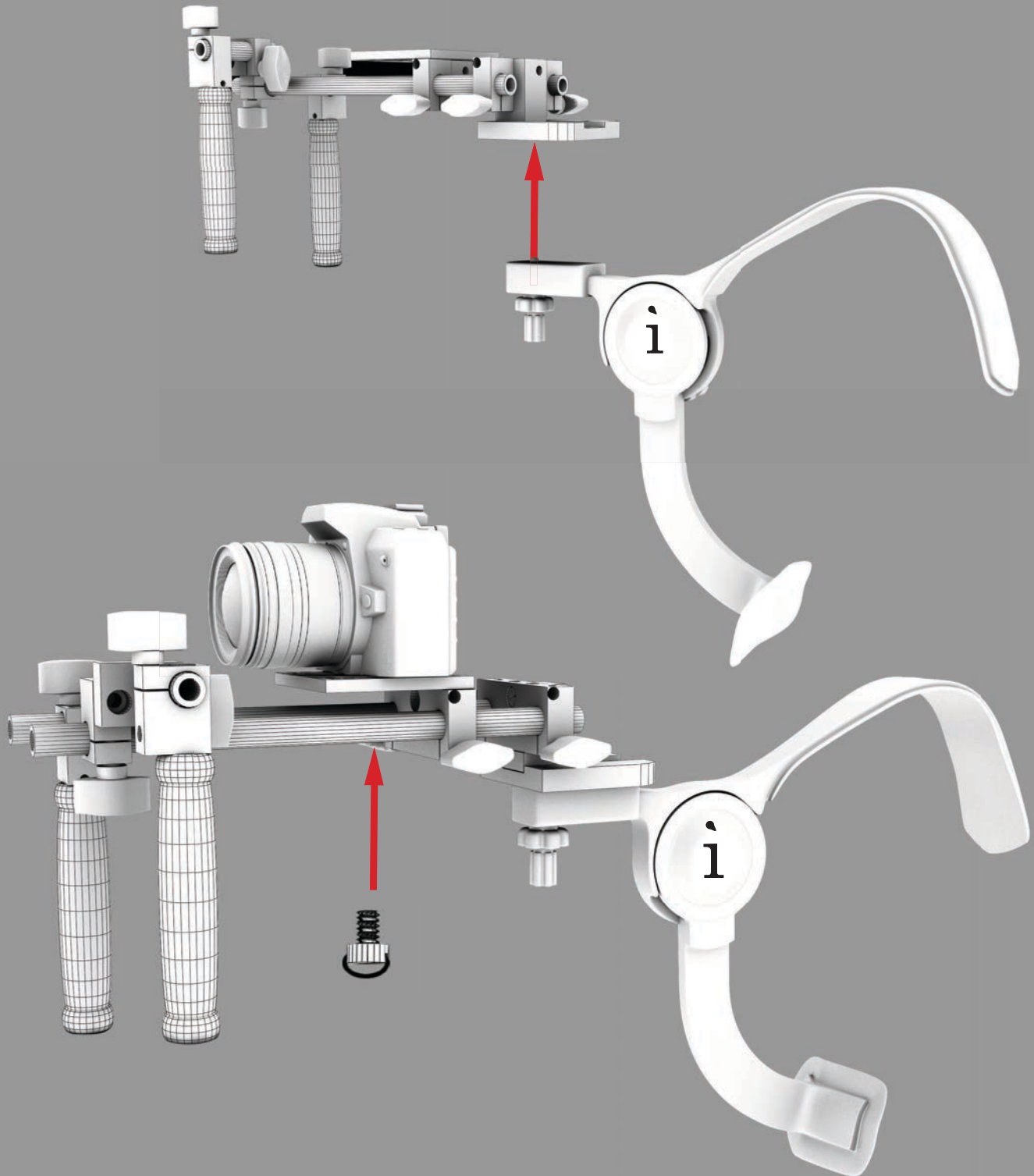
ikan

[www.ikancorp.com](http://www.ikancorp.com)

713-272-8822

# RECOIL-UGK

## Camera Stabilization System QUICKSTART GUIDE



### CONDITIONS OF WARRANTY SERVICE

- Free service for one year from the day of purchase if the problem is caused by manufacturing errors.
- The components and maintenance service fee will be charged if the warranty period has expired.

Free Service will not be Provided in the Following Situations: (\*\* Even if the product is still within the warranty period.)

- Damage caused by abuse or misuse, dismantling, or changes to the product not made by the company.
- Damage caused by natural disaster, abnormal voltage, and environmental factors etc.