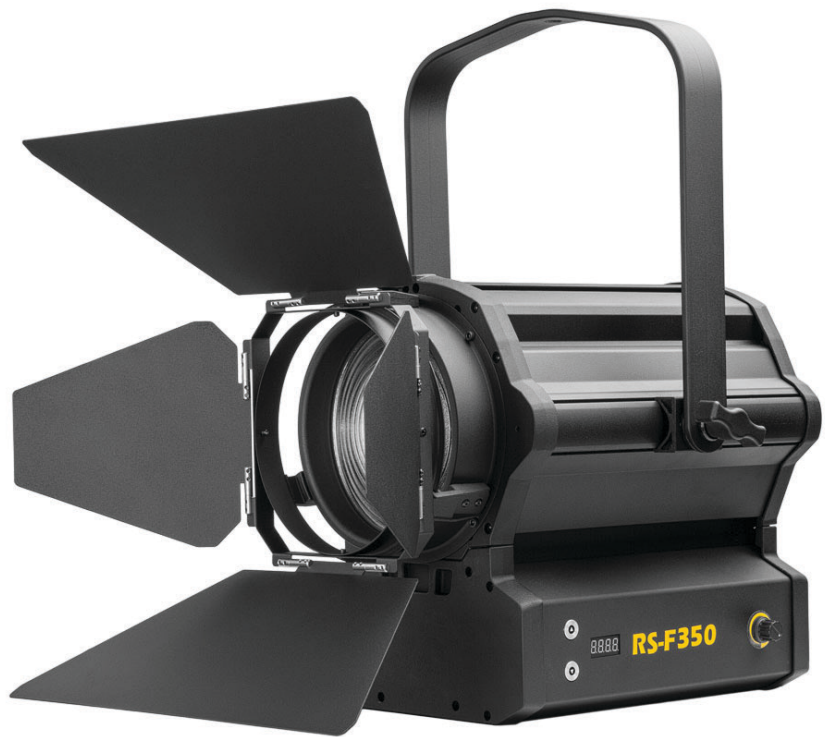


RS-F350

Red Star 6" LED Tungsten Fresnel 350 Watt Light

QUICK START GUIDE



What's Included

- 1 x Light Fixture
- 2 x Cork Washers
- 2 x Metal Grip Washers
- 1 x Yoke
- 1 x Barn Door
- 1 x Power Cord
- 2 x Tightening Knobs

CHECKED BY

ikan

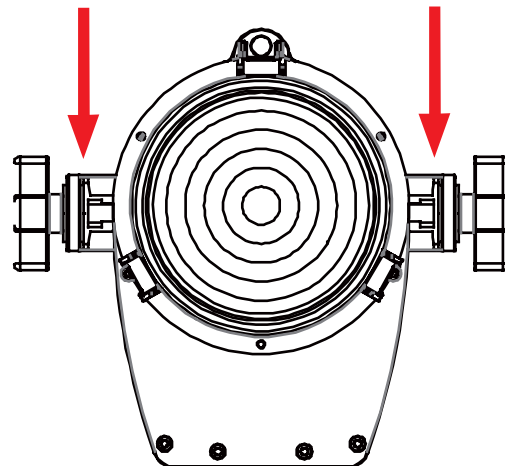
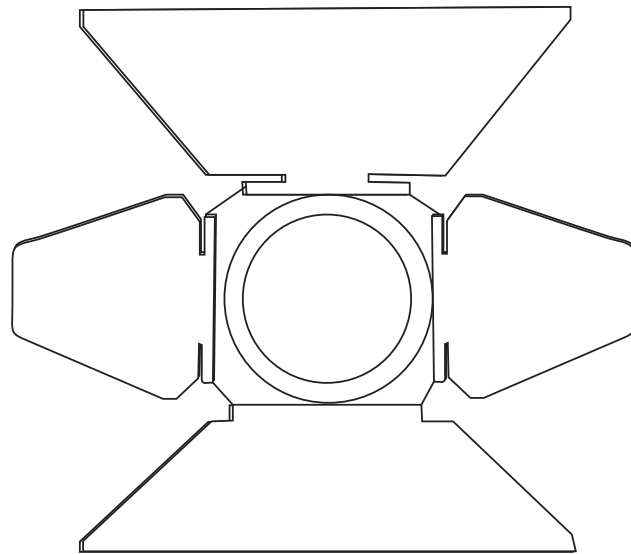
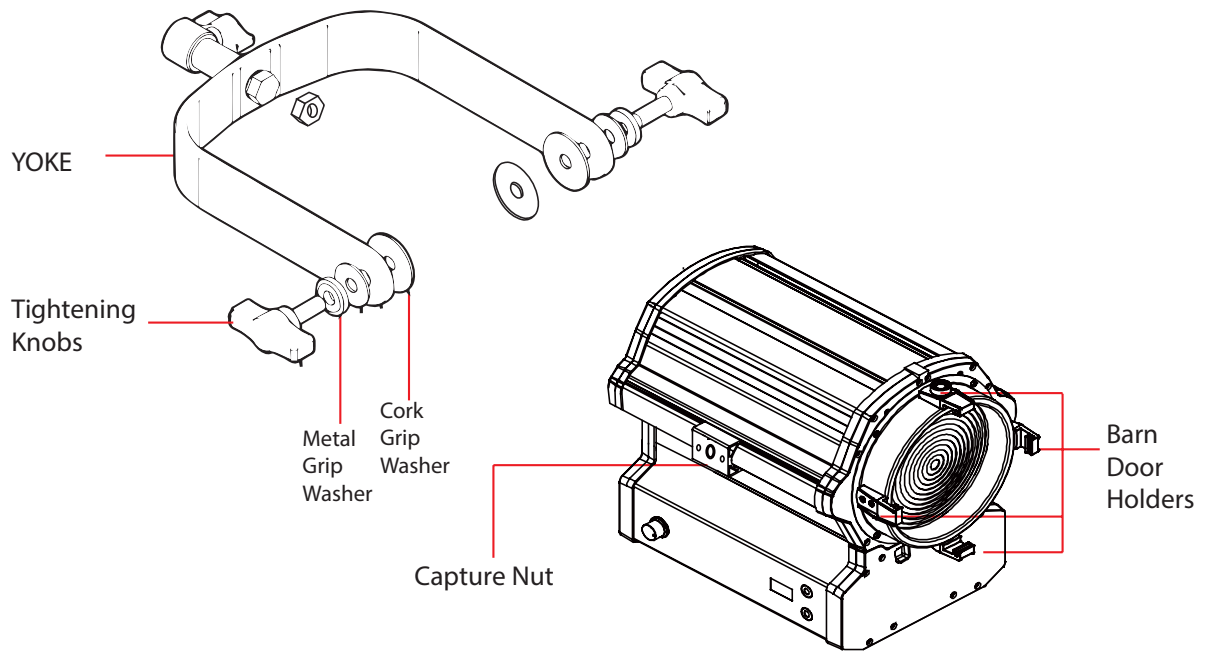
www.ikancorp.com

support@ikancorp.com

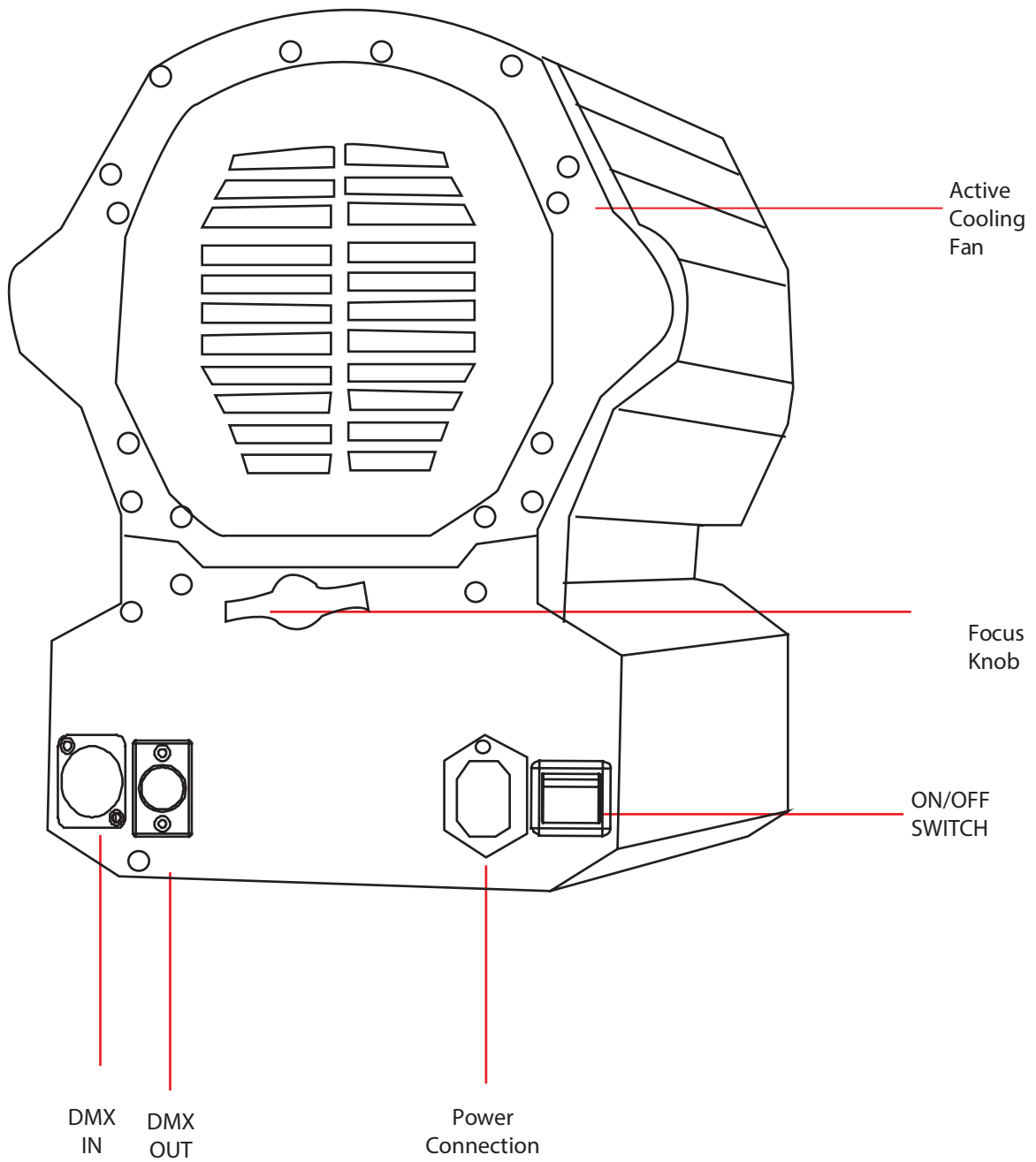
713.272.8822

© 2015 ikan Corporation. All rights Reserved

RS-F350



RS-F350



Specifications

Product Specs	
Beam Angle	14°-50°
Build Material	Aluminum
Control	DMX512 in and out / Toggle Button DMX Control
Cooling System	Active Cooling Fan
Dimming	100-0% Onboard Dimming Knob
Focusing	Rotating Rear Knob
Head Type	Tungsten (3200K)
Lens	6" Glass Fresnel
Light Source	1-350 watt Tungsten LED 3200K
Power Supply	6' Power Cable
Rating	AC volts 120v / 50-60 Hz / 150 watts 63-14 Amps
Fixture Size	14" x 10" x 12"
Shipping Weight	28 lbs
Shipping Dimensions	20" x 15" x 17"
Yoke	Cast Aluminum w/ 1.125" pin

Optional Accessories



MK350
MK350 Spectrometer
from UPRtek



IDM-1204
12 Channel DMX Console



KCP-703
Stage Clamp w/ 16mm Stud



SW-04
Safety Wire

Learn More

More dynamic information at official website: www.ikancorp.com

Support

Contact email: support@ikancorp.com

CONDITIONS OF WARRANTY SERVICE

- Free service for one year from the day of purchase if the problem is caused by manufacturing errors.
- The components and maintenance service fee will be charged if the warranty period is expired.

Free Service will not be Provided in the Following Situations:(*Even if the product is still within the warranty period.)

- Damage caused by abuse or misuse, dismantling, or changes to the product not made by the company.
- Damage caused by natural disaster, abnormal voltage, and environmental factors, etc.