

RS-F100

Red Star 4" LED Tungsten Fresnel 100 Watt Light

QUICK START GUIDE



What's Included

- 1 x Light Fixture
- 2 x Cork Washers
- 2 x Metal Grip Washers
- 2 x Capture Nuts
- 1 x Yoke
- 1 x Barn Door
- 1 x Power Cord
- 2 x Tightening Knobs

CHECKED BY

ikan

www.ikancorp.com

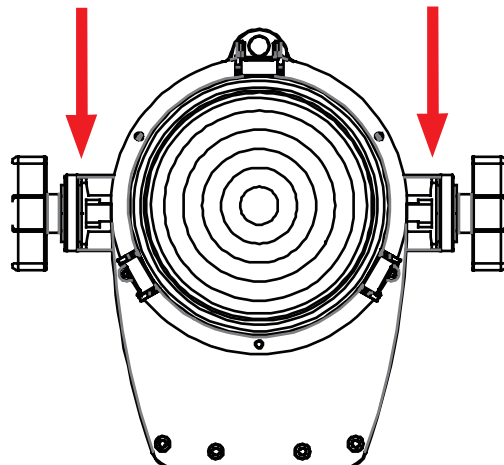
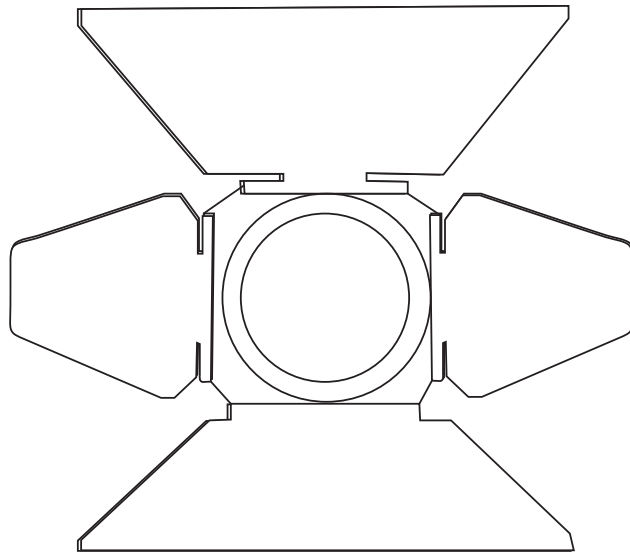
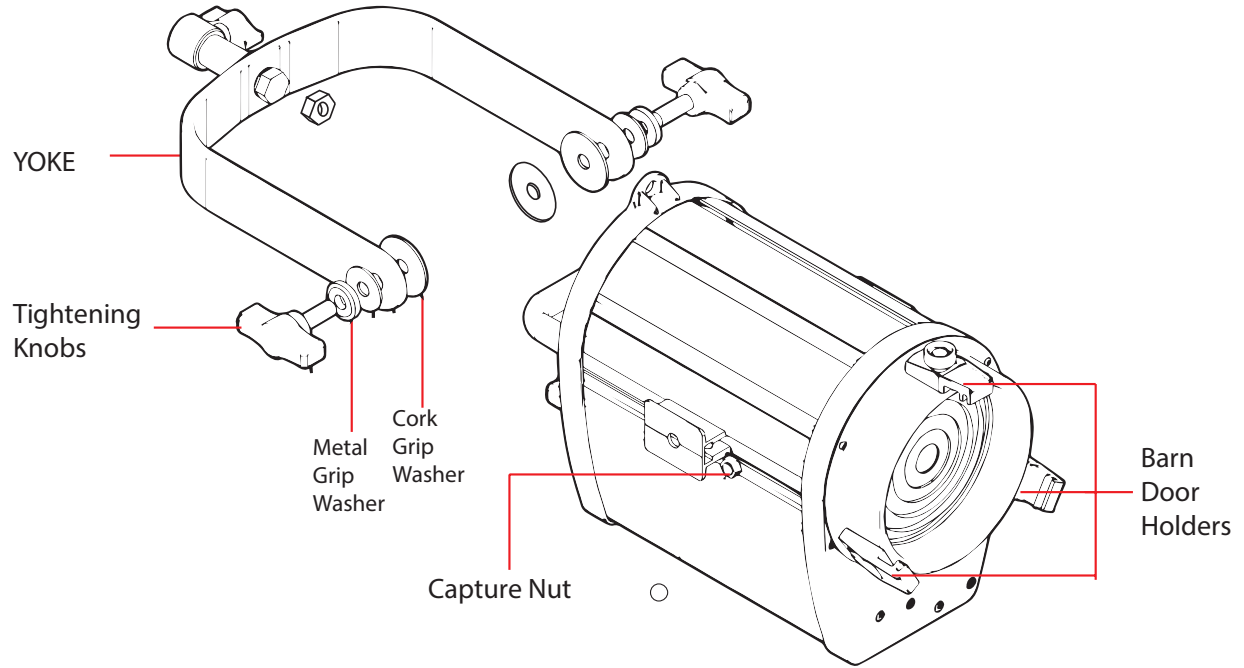
support@ikancorp.com

713.272.8822

© 2015 ikan Corporation. All rights Reserved

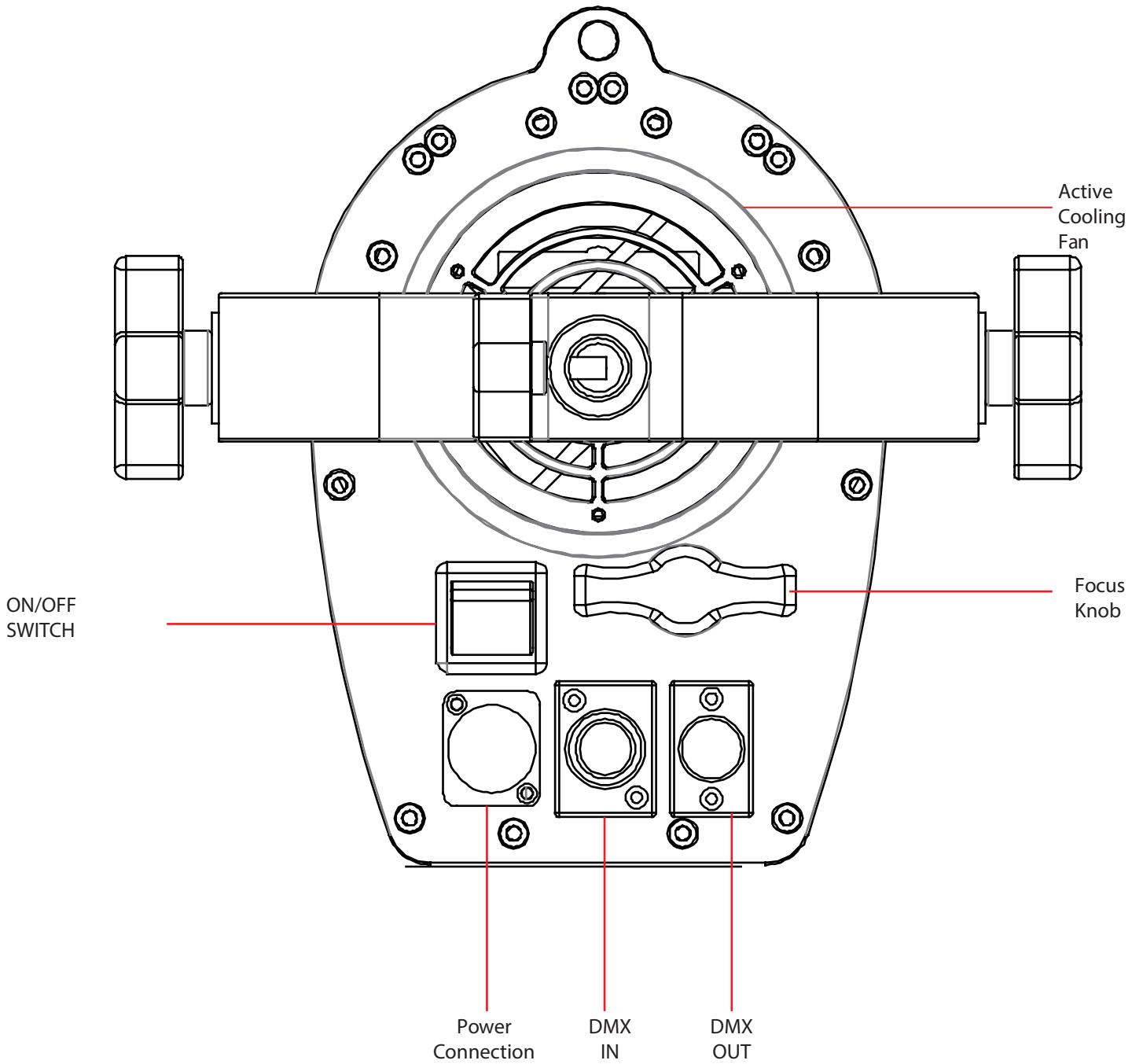
RS-F100

Getting Started



RS-F100

Getting Started



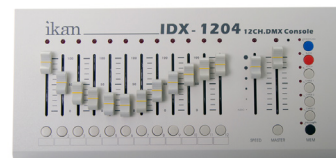
Specifications

Product Specs	
Beam Angle	30°-60°
Control	DMX512 in and out / Toggle Button DMX Control
Cooling System	Active Cooling Fan
Dimensions	18" x 12" x 12"
Dimming	100-0% Onboard Dimming Knob DMX Dimmer
Focusing	Rotating Rear Knob
Head Type	Tungsten (2300K)
Lens	4" Glass Fresnel
Light Source	1-100 watt Tungsten LED 5600K
Power Supply	6' Power Cable
Rating	AC volts 120v / 50-60 Hz / 150 watts 63-14 Amps
Fixture Size	12.5" x 9" x 4"
Fixture Weight	12.5 lbs
Shipping Weight	15 lbs
Yoke	Cast Aluminum w/ 1.125" pin

Optional Accessories



MK350
MK350 Spectrometer
from UPRtek



IDM-1204
12 Channel DMX Console



KCP-703
Stage Clamp w/ 16mm Stud



SW-04
Safety Wire

Learn More

More dynamic information at official website: www.ikancorp.com

Support

Contact email: support@ikancorp.com

CONDITIONS OF WARRANTY SERVICE

- Free service for one year from the day of purchase if the problem is caused by manufacturing errors.
- The components and maintenance service fee will be charged if the warranty period is expired.

Free Service will not be Provided in the Following Situations:(*Even if the product is still within the warranty period.)

- Damage caused by abuse or misuse, dismantling, or changes to the product not made by the company.
- Damage caused by natural disaster, abnormal voltage, and environmental factors, etc.