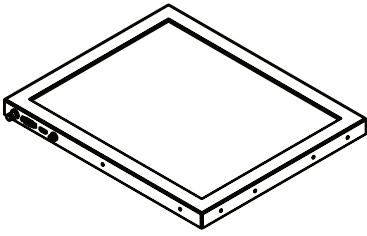


## 19" Professional High Bright Beam Splitter Teleprompter with 3G-SDI

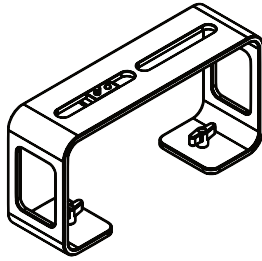
**OVERVIEW**

Ikan's professional teleprompter series is designed for a quick and easy setup to work in outside broadcast applications or professional studios. The lightweight, aluminum teleprompter has multiple 3/8-16" and 1/4-20" for mounting to a pedestal or tripod. The high quality 70/30 (Made in the USA) teleprompter glass provides the perfect balance of reflection and pass-through minimal image distortion. The PT4900's high bright monitor has 1000 nits, making it appropriate for work in the sun or in brightly-lit studios. Ikan's 4000 series of 15, 17 & 19" teleprompters include 3 different riser plates, for compatibility with a variety of capture devices, including box cameras, camcorders, DSLR, Mirrorless, and ENG cameras. The bottom mounting plate and riser plate have 12" of horizontal adjustment to accommodate various camera body/lens configurations and proper balancing. This system is shipped in custom cut foam, designed to protect the glass, monitor and additional components. This foam is compatible with SKB iSeries 3i-2217-12BE Waterproof Hard Cases.

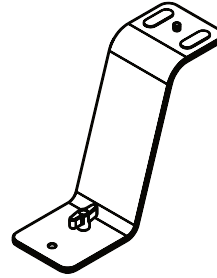
## What's Included



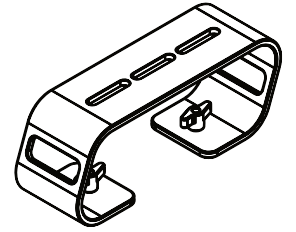
Monitor



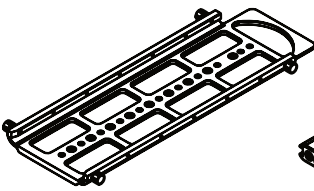
Large Riser



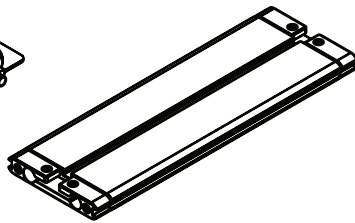
DSLR/Mirrorless Riser



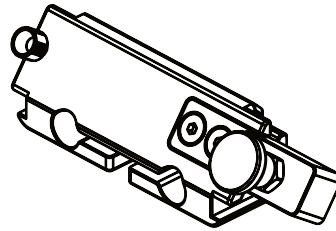
Medium Riser



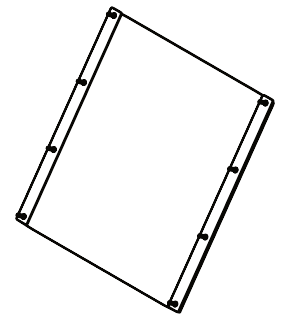
Bottom Plate



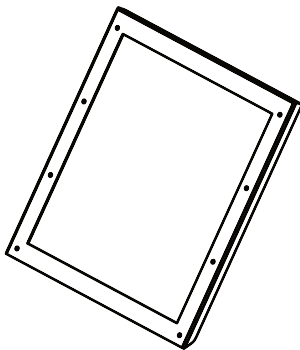
Base



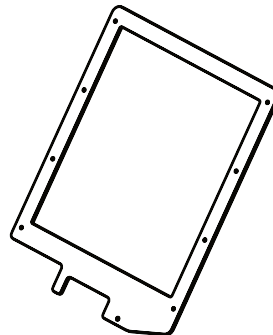
Glass Frame Holder Bracket  
w/ Rod Clamps



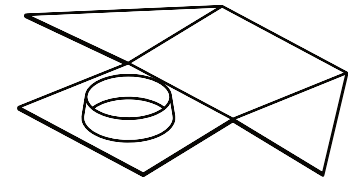
Glass



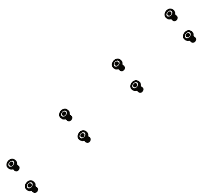
Hood Attachment Frame



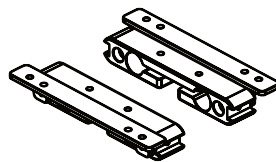
Glass Holder



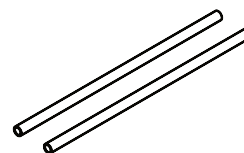
Hood



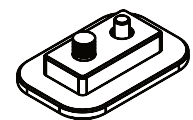
Glass Frame Screws



15mm Rod Clamps



15mm Rods

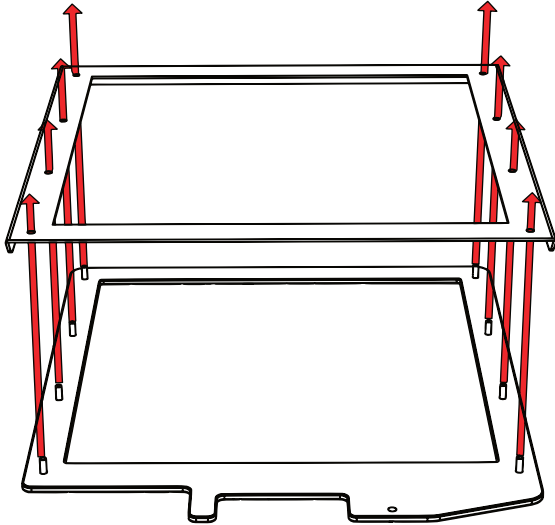


Large Riser  
Bracket

# Teleprompter Assembly Setup

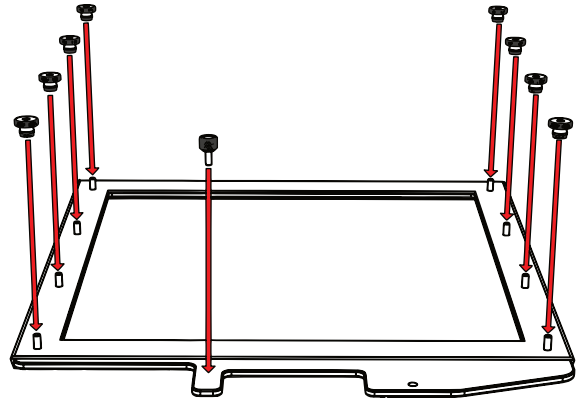
## Step 1

Place the Hood Attachment Frame over the Glass Holder. Then place the glass against the Glass Holder. Make sure the screws pass through the holes on the both the Hood Attachment Frame and the Glass Holder.



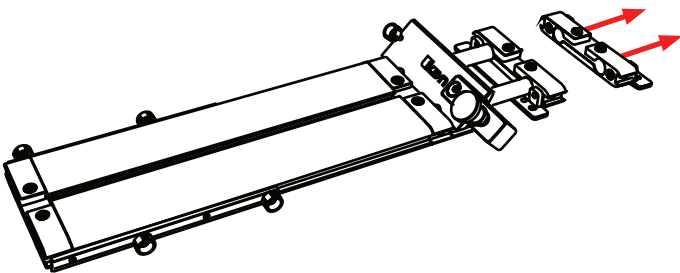
## Step 2

Secure the Glass Holder by fastening the knurled nuts to the screws as pictured below.



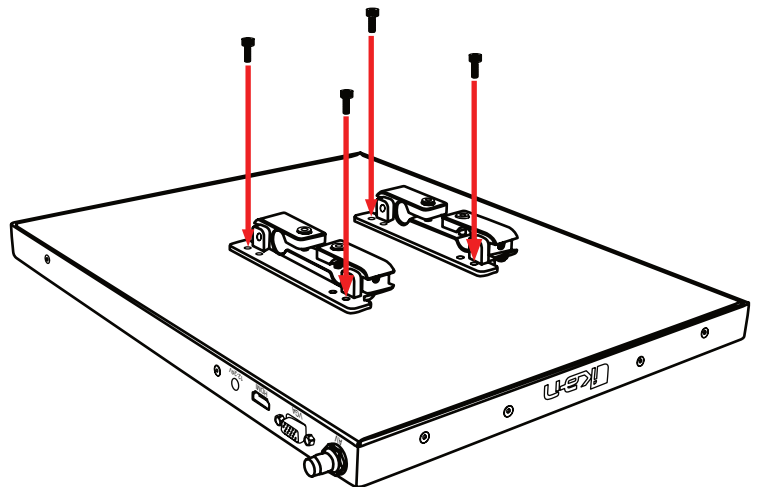
## Step 3

Remove the monitor mounts from the teleprompter base using the included larger 4mm hex key to loosen from the 15mm rods.



## Step 4

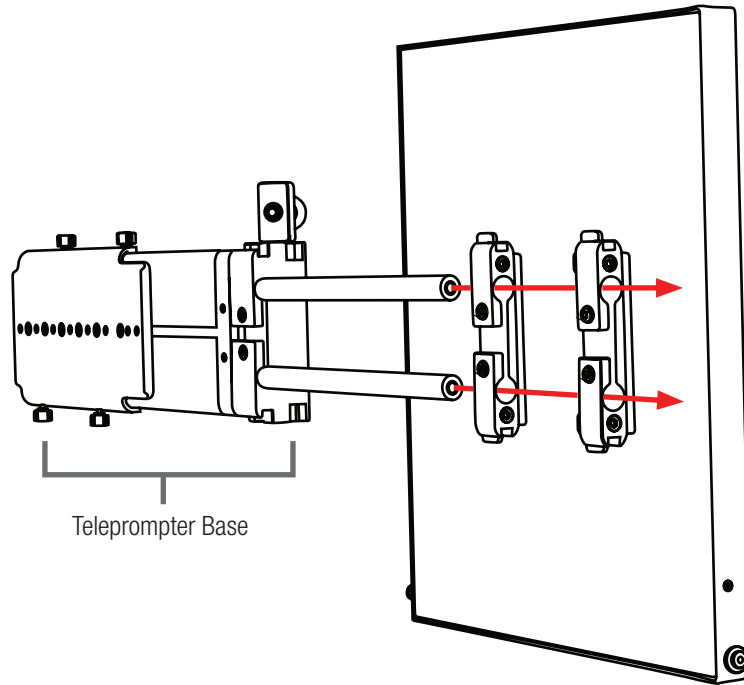
Put the washers on before tightening the screws. The washers and 4 additional screws are inside a bag on the bottom foam.



## Step 5

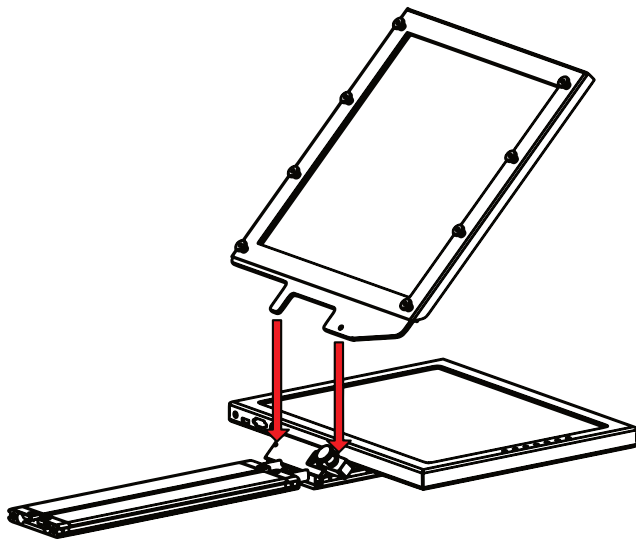
After the monitor mounts are attached, adjust the 15mm rods to accommodate the monitor. Leave about 1 inch of room for the teleprompter bracket. Make sure the 15mm rods go through both set of monitor mounts. Please ensure that all screws are properly tightened after inserting the monitor.

**\*SAFETY NOTE\*** Make sure to leave at least 2 inches of the rods inside the teleprompter base.



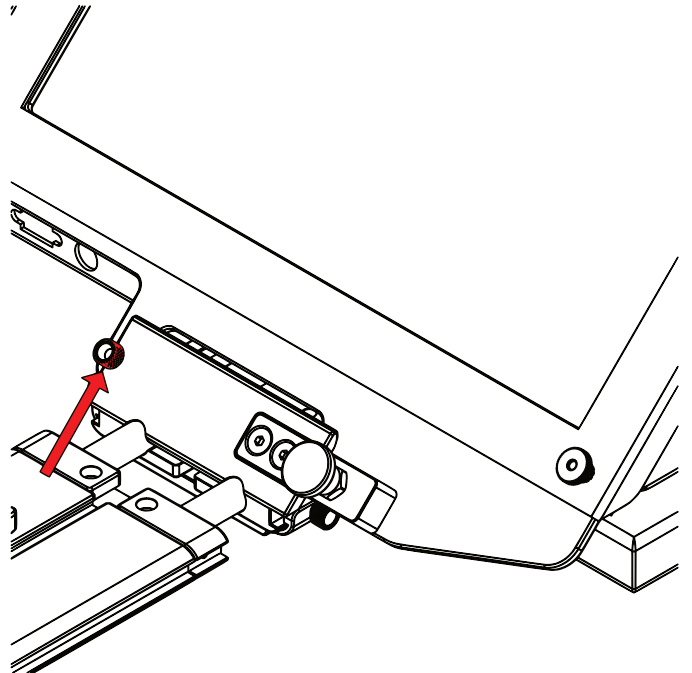
## Step 6

While sliding the teleprompter bracket into the slot of the Glass Frame Holder Bracket, pull on the red knob to allow the bracket to fully slide in.



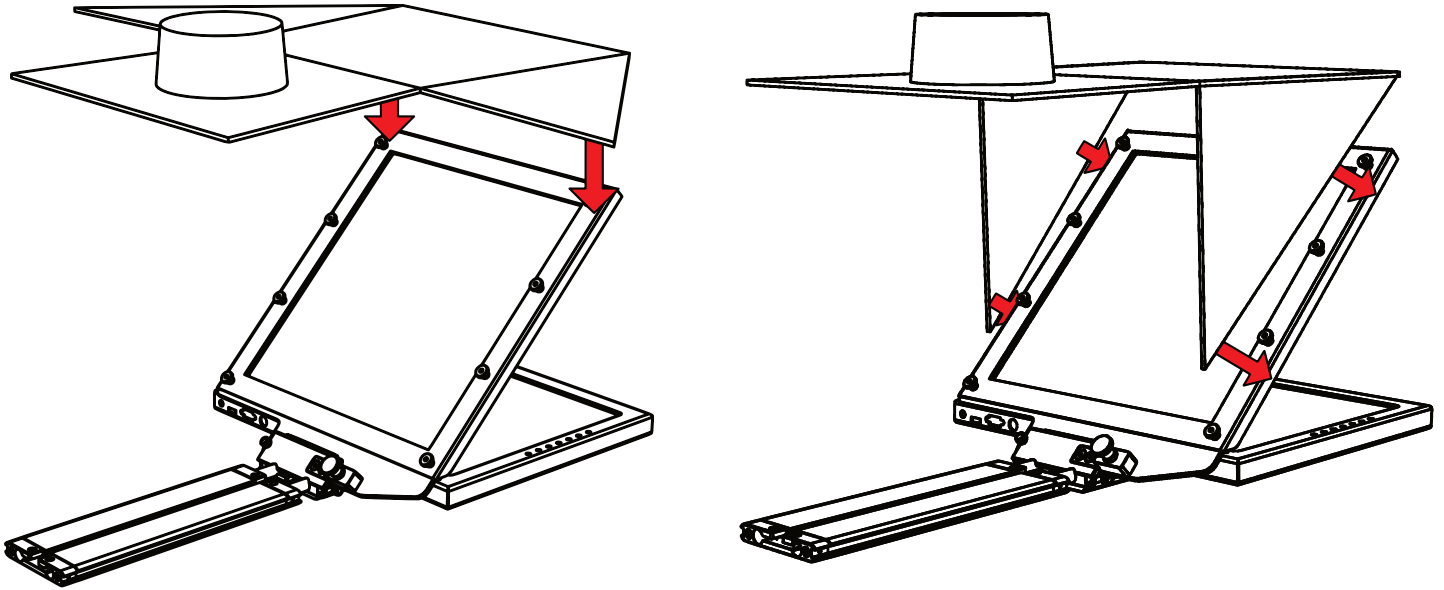
## Step 7

Once the bracket is in place, tighten the side screw to lock in place. Double check and make sure all the screws are tightened with the included hex keys.



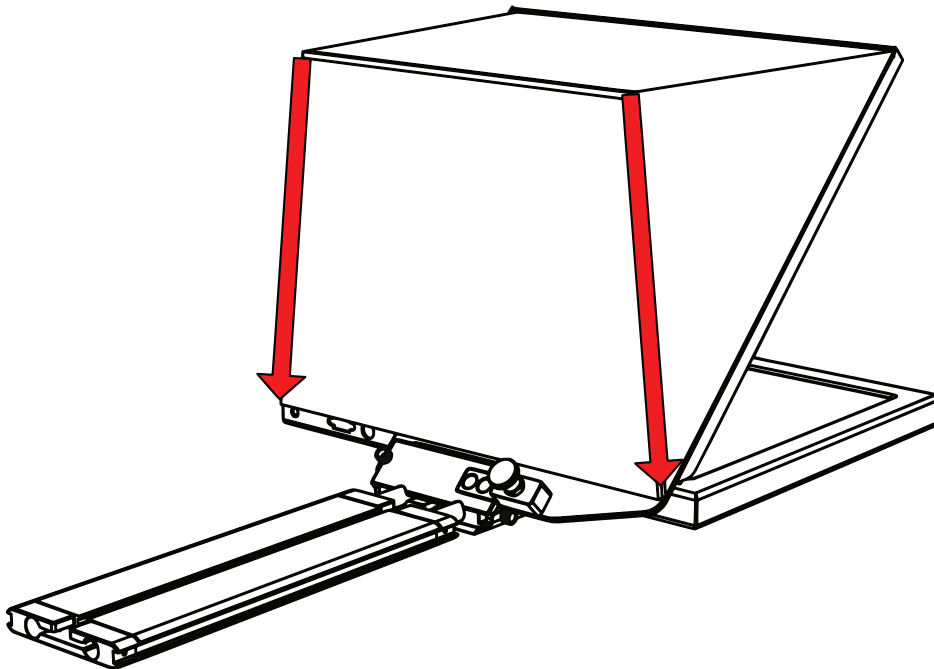
## Step 8

Fold the flaps of the Hood alongside the edges of the Hood Attachment Frame. The flaps of the Hood are magnetic so they will automatically attach.



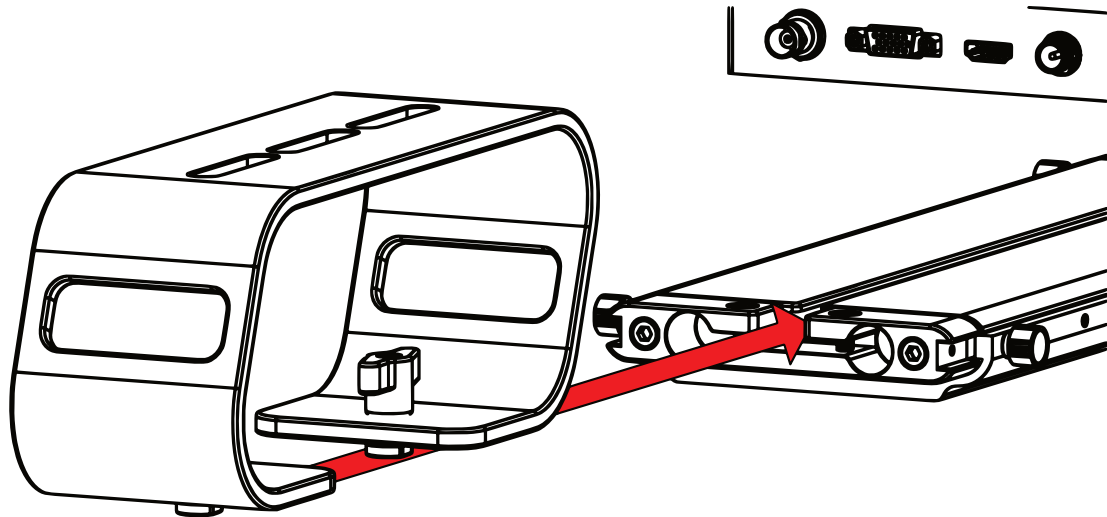
## Step 9

To prevent light from leaking through the hood, seal both zippers down.



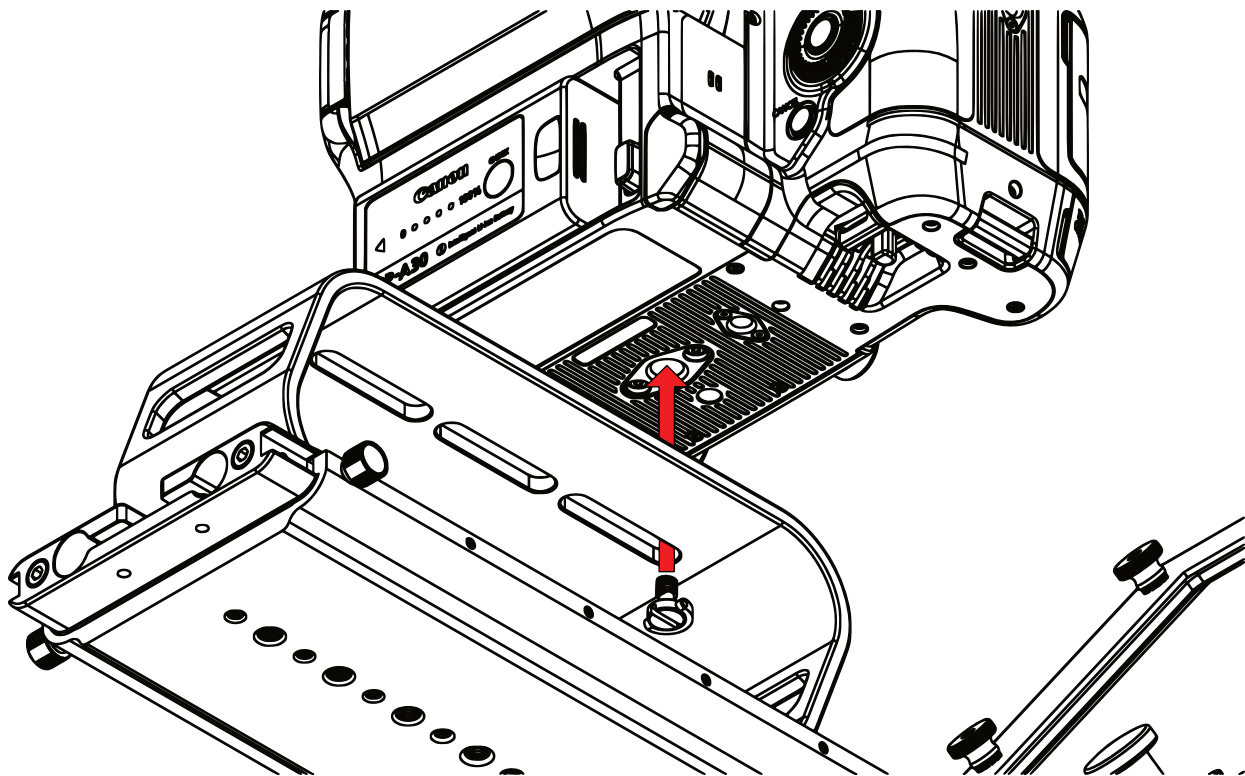
## Step 10

Slide in the Riser plate of your choice by aligning the screws on the riser plate to the slot on the Base. Once the screws are aligned, Slide the riser plate into the Base.



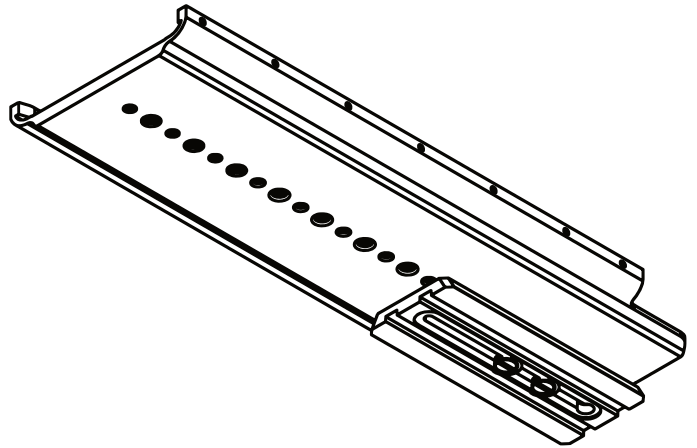
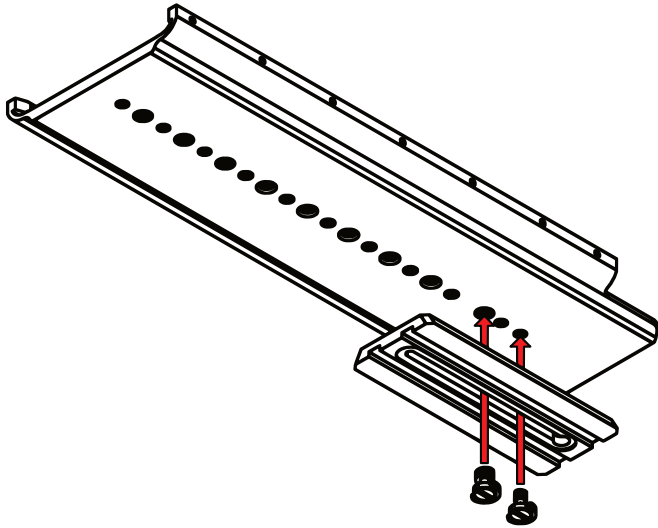
## Step 11

Slide in the Riser plate of your choice by aligning the screws on the riser plate to the slot on the Base. Once the screws are aligned, Slide the riser plate into the Base.



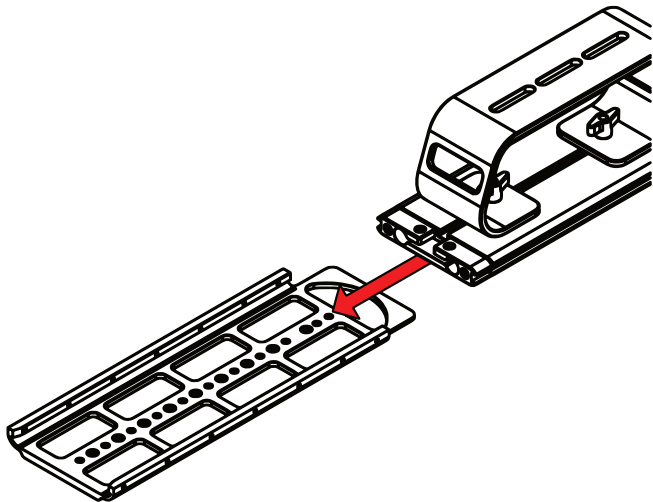
## Step 12

Mount your own tripod plate to the bottom plate by aligning the 1/4-20 and/or 3/8-16 screws and fastening them to the Bottom Plate. It is recommended that you connect your tripod plate to front of the Bottom Plate so that you can balance your teleprompter easier. Once your tripod plate is connected to the Bottom Plate, mount the tripod plate to your tripod head.



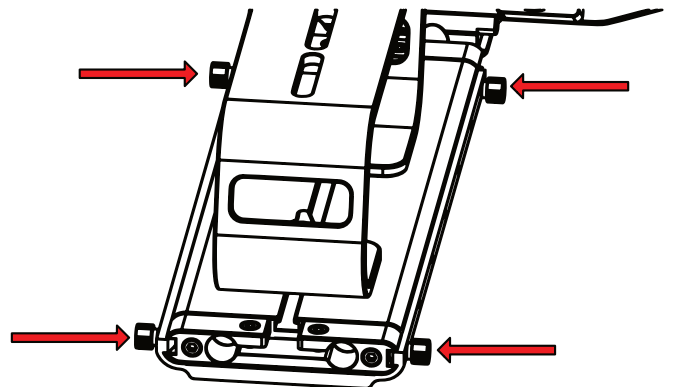
## Step 13

Slide the entire teleprompter system into the Bottom Plate. Once the teleprompter system is inserted, you can balance it by sliding it along the Bottom Plate until the center of gravity is determined.



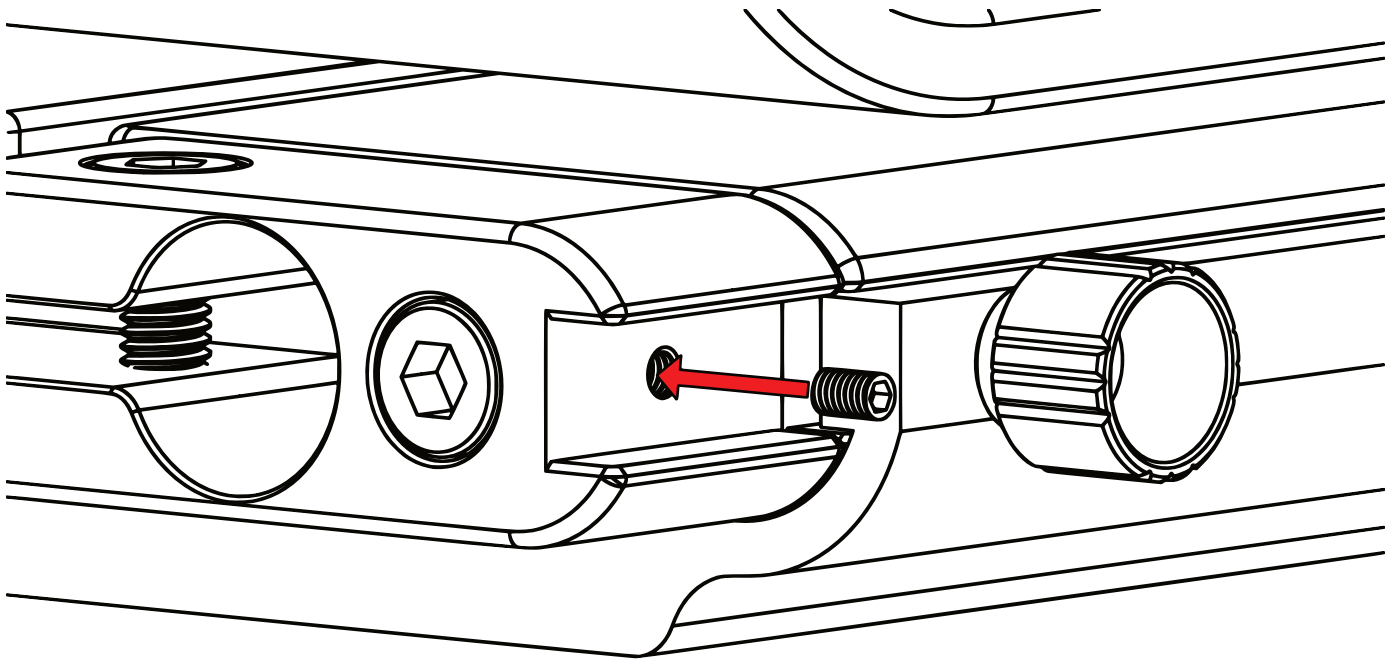
## Step 14

Once the center of gravity has been determined, tighten the thumb screws to keep the base from sliding.



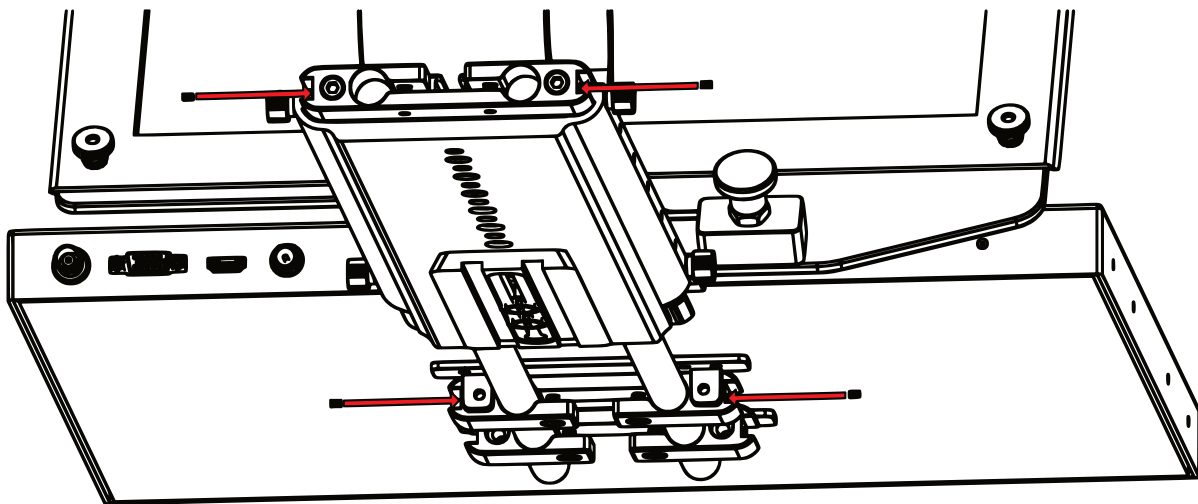
## Step 15

To secure your teleprompter system, insert the included headless screws into the threads behind and in front of the Base.



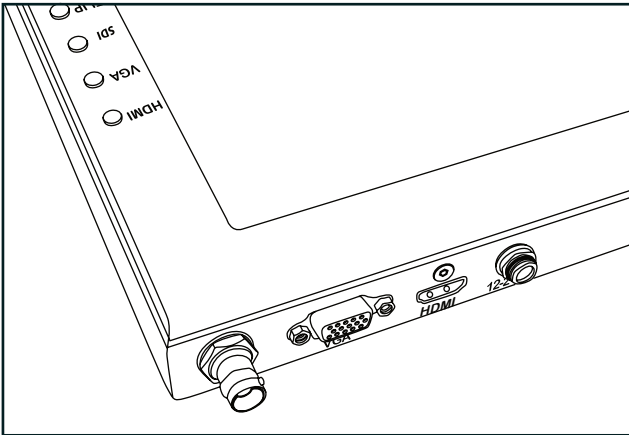
## Step 16

The headless screws should be inserted to the threads as pictured below.

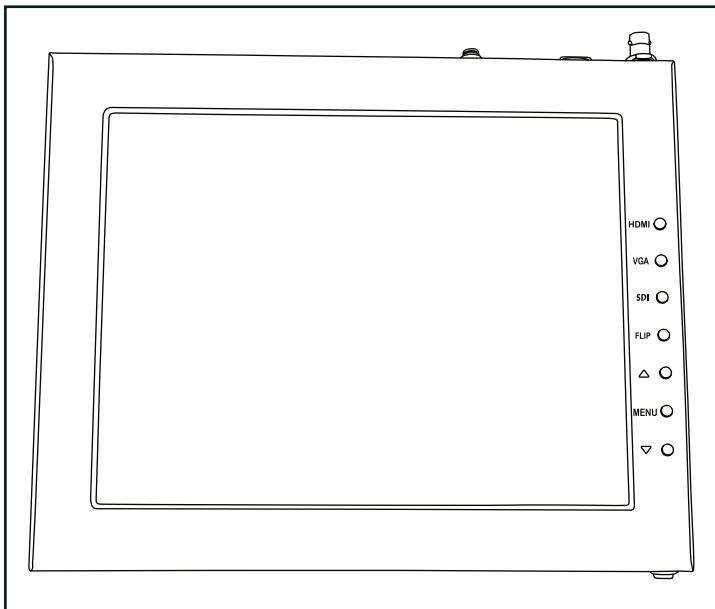




## Monitor Ports



3G-SDI – Serial Digital Interface Connection  
VGA – Video Graphics Array DE15 Connection  
HDMI – High-Definition Multimedia Interface Input Connection  
Power Port – 12-24v Input



HDMI – Switch HDMI input  
VGA – Switch to VGA input  
SDI – Switch to 3G-SDI input  
Flip – Toggle image flip  
(Can be set to horizontal, vertical, or both via menu)  
Up Arrow – Toggle up to adjust setting  
Menu – Access to monitor settings  
Down Arrow – Toggle down to adjust setting

## Monitor Menu Settings

### Video Config

- Contrast (White Level)
- Brightness (Black Level)
- Tint (Chroma Hue)
- Chroma (Chroma Saturation)
- Sharpness (Detail)
- RGB Setup – Manually configure RGB
- Return

### System Config

- Menu Duration – Set duration of how long menu stays on screen
- Video Ratio – Set screen aspect ratio 16:9 or 4:3 (4:3 is native resolution, 16:9 will create black bars)
- Flip-H – Assign toggle button to flip image horizontally
- Flip-V – Assign toggle button to flip image vertically
- Reset – Factory reset
- Return

### PC Setup (Only available for VGA)

- H-Position – Adjust horizontal position
- V-Position – Adjust vertical position
- Auto – Monitor automatically adjust position
- Return

Exit

## How to set-up FLIP button feature:

1. Press MENU button
2. Navigate to SYSTEM CONFIG.
3. Navigate to FLIP-V or FLIP-H
4. Change FLIP-V and/or FLIP-H to "ON"
5. Exit MENU
6. The FLIP button should now be activated and can be pressed to mirror the image Horizontally or Vertically
7. When FLIP-H is ON, the image will flip Horizontally
8. When FLIP-V is ON, the image will flip Vertically
9. If both are ON, the FLIP button will toggle both Horizontal and Vertical flip

Watch our VIDEO TUTORIAL on how to assemble Ikan Professional Teleprompters:

<https://youtube.com/playlist?list=PLcjaK5n9Y8ctrbYS3t2g4nyx2uAD0XjuF>



## Specifications

### PT4900-SDI

Aspect Ratio	4:3
Backlight	LED
Brightness	1000 nits
Build Material	Aluminum Chassis
Diagonal	19"
Input Signal	3G-SDI, HDMI, and VGA inputs
Input Voltage	DC 12v / 4A
Power Consumption	10W
Reading Range	25'
Resolution	1280 x 1024
Viewing Angle	160° (H) / 170° (V)
Weight	33.75 lbs
Shipping Weight	36 lbs
Shipping Dimensions	25 x 20 x 16 in

## Optional Accessories

- PT4900-GM** Replacement Glass for PT4900
- PT19-SDI-TM** 19" 3G-SDI Talent Monitor Add On Kit for PT4900
- PT-PEDAL** Teleprompter Foot Control Pedal
- PT-CASE-V2** Rolling Hard Case for PT4900 Teleprompter



## Foam Case

To make your teleprompter more portable, we packed it in a reusable, high-quality foam. The shape and size of the foam was designed to fit into Ikan's PT-CASE-V2.



**\*\* DO NOT THROW AWAY FOAM CASE \*\***

## Learn More

More dynamic information at official website: [www.ikancorp.com](http://www.ikancorp.com)

## Support

Contact email: [support@ikancorp.com](mailto:support@ikancorp.com)

---

### CONDITIONS OF WARRANTY SERVICE

- Free service for one year from the day of purchase if the problem is caused by manufacturing errors.
- The components and maintenance service fee will be charged if the warranty period is expired.

**Free Service will not be Provided in the Following Situations:(\*Even if the product is still within the warranty period.)**

- Damage caused by abuse or misuse, dismantling, or changes to the product not made by the company.
- Damage caused by natural disaster, abnormal voltage, and environmental factors, etc.

©2022 Ikan International. All rights reserved.

## 19" High Bright Talent Teleprompter Add-On Kit (SDI)

**What's Included**

- 1 x SDI Teleprompter Monitor w/ Aluminum Chassis
- 1 x Power Adapter with Cable
- 1 x VESA Monitor Mount
- 1 x 15mm Rod Adapter
- 1 x Mounting Knob
- 4 x 10mm Screws
- 4 x 15mm Screws
- 2 x Large Screws
- 4 x Riser Washers
- 1 x Adjustable Plate

## Assembly Steps

### Setting Up the Talent Monitor

Using the shorter 4 x 10mm Screws, attach the VESA Monitor Mount. Make sure that the long end of the VESA Monitor Mount is pointing in the direction of the power button like the image above. Use the Mounting Knob to tighten the 15mm Rod Adapter to the VESA Monitor Mount.



### Setting Up the Teleprompter Monitor (Monitor from the PT4900-SDI)

If the mounting brackets were previously installed on the teleprompter monitor, remove those screws. Using the longer 4 x 15mm Screws and 4 x Riser Washers attach the mounting brackets with the washers between the bracket and monitor like the image below.



## Attaching the Talent Monitor

After both the talent monitor and teleprompter monitor are set up, slide the talent monitor on to the PT4900-SDI.

**\*WARNING\*** We recommend at least 1 inch of rod should be left inside the teleprompter base.



# Specifications

## PT19-SDI-TM

19" High-Bright Teleprompter Monitor

Aspect Ratio	4:3
Brightness	1000 cd/m2
Screen Size	19"
Video Inputs	SDI, HDMI, VGA
Input Voltage	DC 12v / 4A
Power Consumption	10 w
Product Weight	12 lbs
Product Dimensions	17" x 15" x 1"
Native Resolution	1280 x 1024
Shipping Weight	14 lbs
Shipping Dimensions	24" x 20" x 4"
Viewing Angle	160° (H) / 170° (V)
UPC	847983033218
Build Material	Aluminum Chassis

## Supported Video Signals

### HDMI

720x480i & 720x480p @ 59.94, 60 Hz  
720x576i & 720x576p @ 50 Hz  
1280x720p @ 50, 59.94, 60 Hz  
1920x1080i @ 50, 59.94, 60 Hz  
1920x1080psf @ 24, 25, 29.97, 30 Hz  
1920x1080p @ 23.98, 24, 25, 29.97, 30, 50, 59.94, 60 Hz

### SDI

720x480i @ 59.94, 60 Hz  
720x576i @ 50 Hz  
1280x720p @ 50, 60 Hz  
1920x1080i @ 50, 59.94, 60 Hz  
1920x1080psf @ 24, 25, 29.97, 30 Hz  
1920x1080p @ 23.93, 24, 25, 29.97, 30, 50, 59.94, 60 Hz

## Optional Accessories

Some other products that work well with this item available from Ikan include:

**PT4900-SDI** Professional 19" High Bright Beam Splitter Teleprompter with 3G-SDI

## Learn More

More dynamic information at official website: [www.ikancorp.com](http://www.ikancorp.com)

## Support

Contact email: [support@ikancorp.com](mailto:support@ikancorp.com)

---

### CONDITIONS OF WARRANTY SERVICE

- Free service for one year from the day of purchase if the problem is caused by manufacturing errors.
- The components and maintenance service fee will be charged if the warranty period is expired.

#### **Free Service will not be Provided in the Following Situations:(\*Even if the product is still within the warranty period.)**

- Damage caused by abuse or misuse, dismantling, or changes to the product not made by the company.
- Damage caused by natural disaster, abnormal voltage, and environmental factors, etc.

©2019 Ikan International. All rights reserved.

