

PT4700-TRIPOD



17" Teleprompter, Tripod & Dolly Turnkey



OVERVIEW

Ikan's Turnkey Broadcast Solutions include everything you need for your professional camera setup. This solution includes a 17" teleprompter, tripod, and dolly. All of our systems have been tested internally for payload compatibility.

The remaining payload capacity, after mounting the full 17" teleprompter system without the counterweight, can accommodate camera setups up to 18 lbs. The tripod, without the teleprompter system, can accommodate cameras up to 44 lbs. This solution also includes separate carrying bags for the tripod and dolly.





PT4700

17" Professional High Bright
Beam Splitter Teleprompter

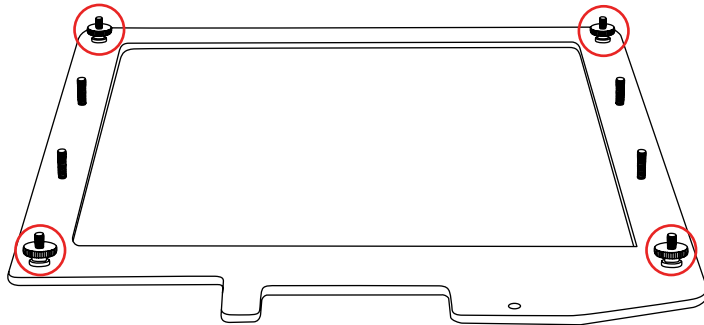
What's Included

- 1 x Tripod w/ Head
- 1 x Dolly w/ Wheels & Cable Guards
- 1 x 17" Teleprompter System w/ Monitor
- 4 x Camera Riser Plates
- 1 x PrompterPro Software (FREE with this teleprompter)

Teleprompter Assmely Setup

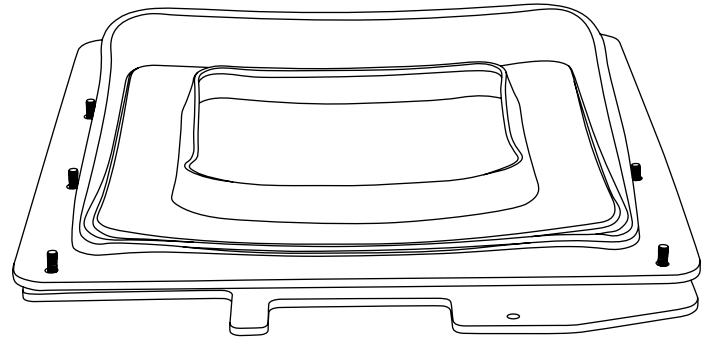
Step 1

Place the teleprompter glass frame on a flat surface and remove the four screws as shown.



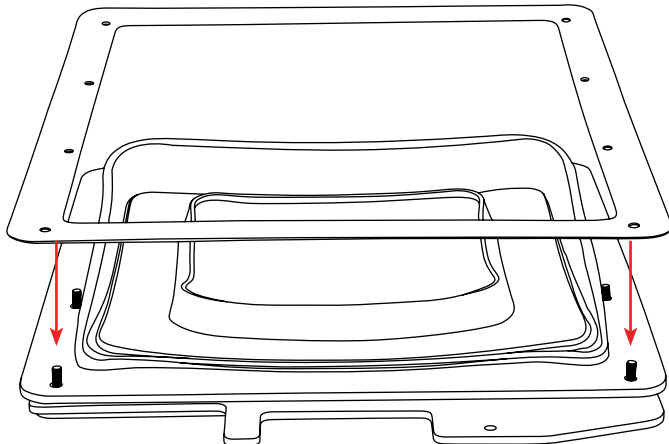
Step 2

Align and attach the teleprompter hood with the 8 screw pegs from the teleprompter frame.



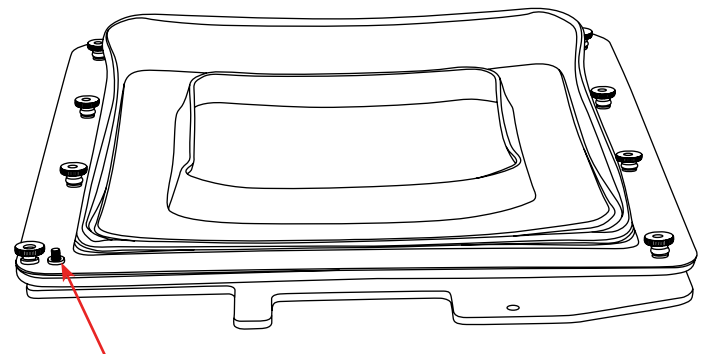
Step 3

The metal frame is directional. Make sure the thicker side is on top and the slimmer side is on the bottom.



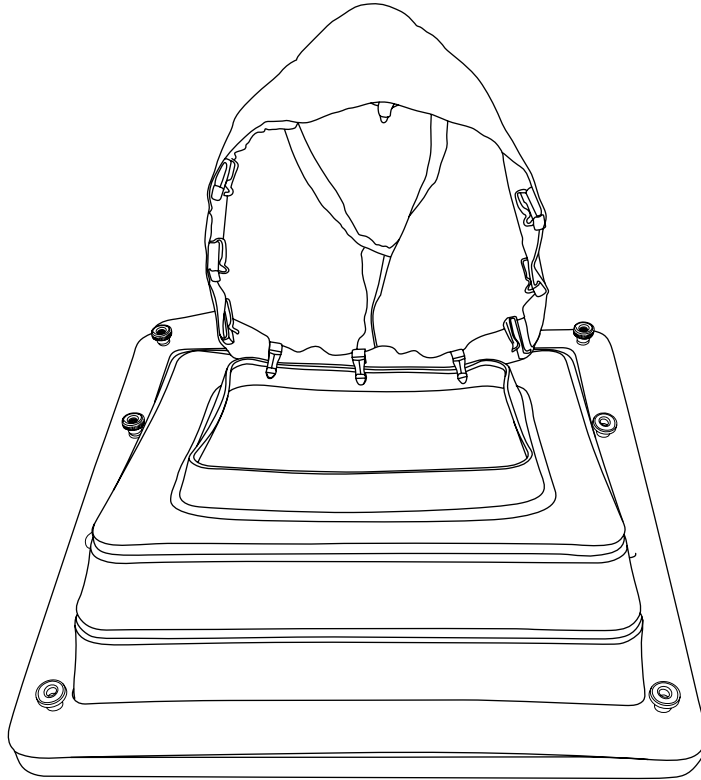
Step 4

Put the washers on before tightening the screws. The washers and 4 additional screws are inside a bag on the bottom foam.



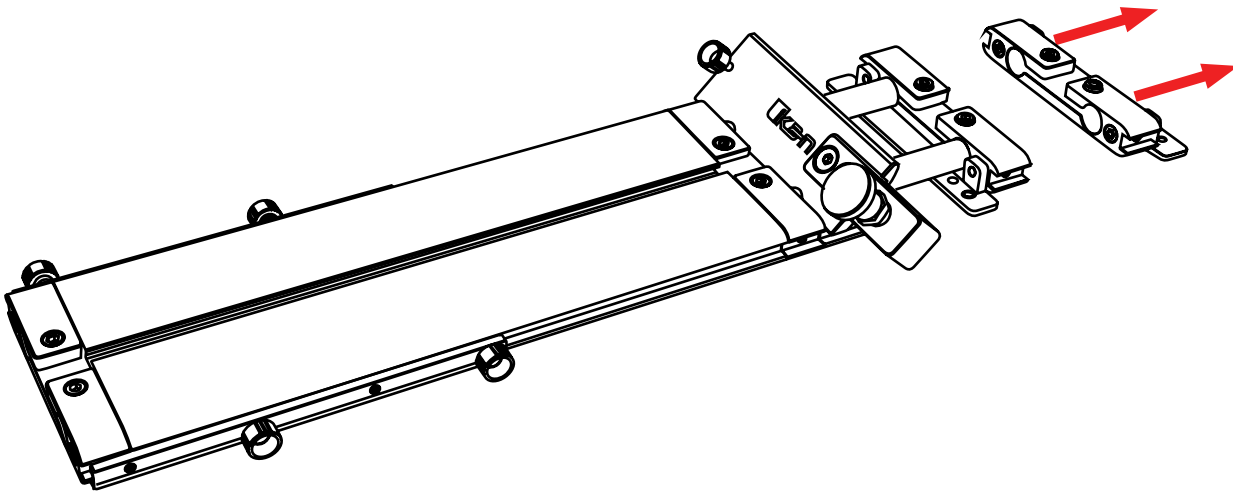
Step 5

Extend the teleprompter hood open and attach teleprompter boot using the clips. It is suggested to align the seam with the bottom of the teleprompter hood.



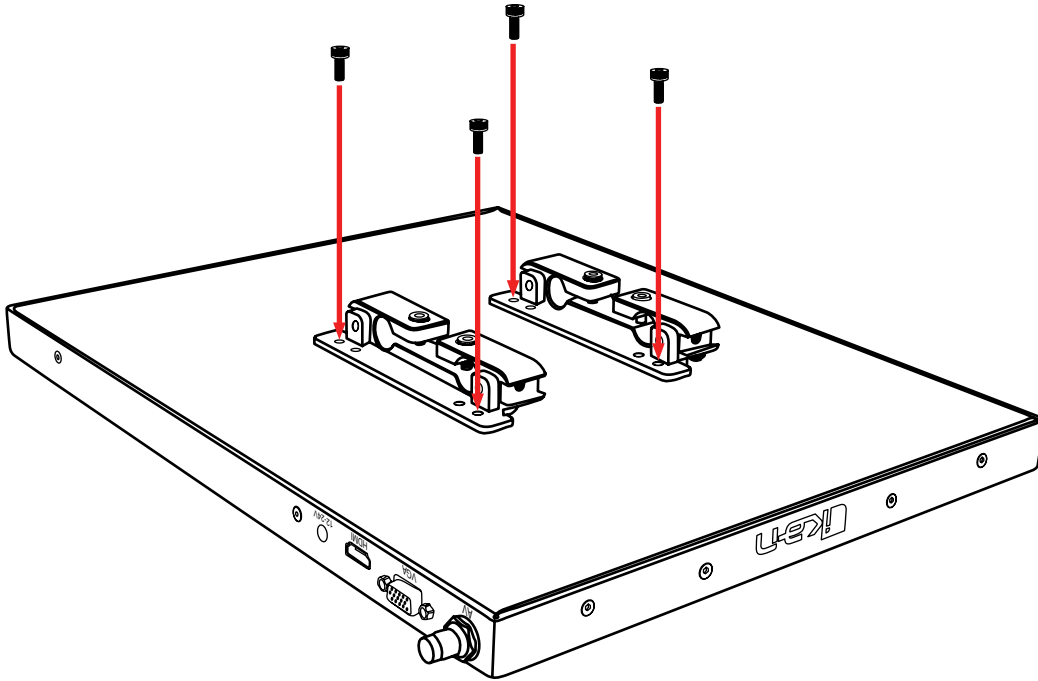
Step 6

Remove the monitor mounts from the teleprompter base using the included larger 4mm hex key to loosen from the 15mm rods.



Step 7

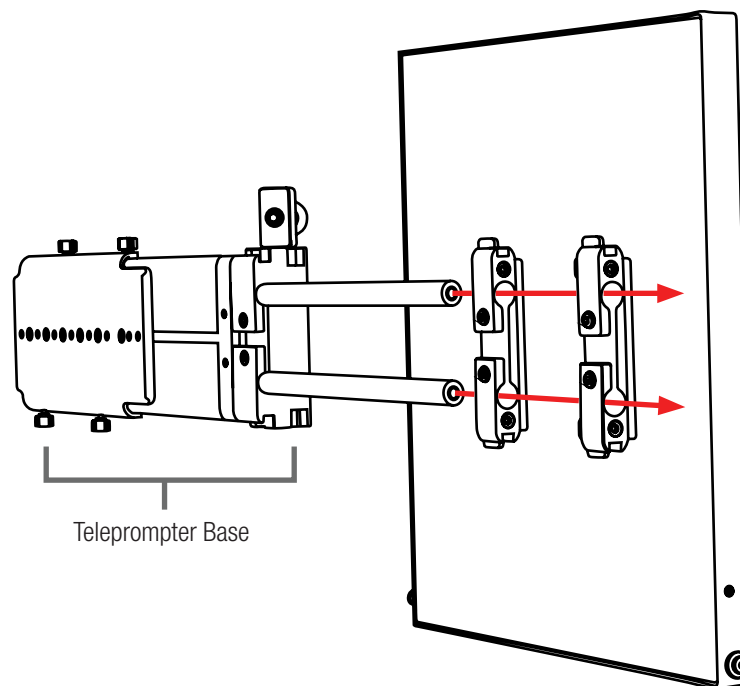
Attach the monitor mounts on the back of the monitor's VESA compatible threads using the 4 included screws and provided 2mm hex key.



Step 8

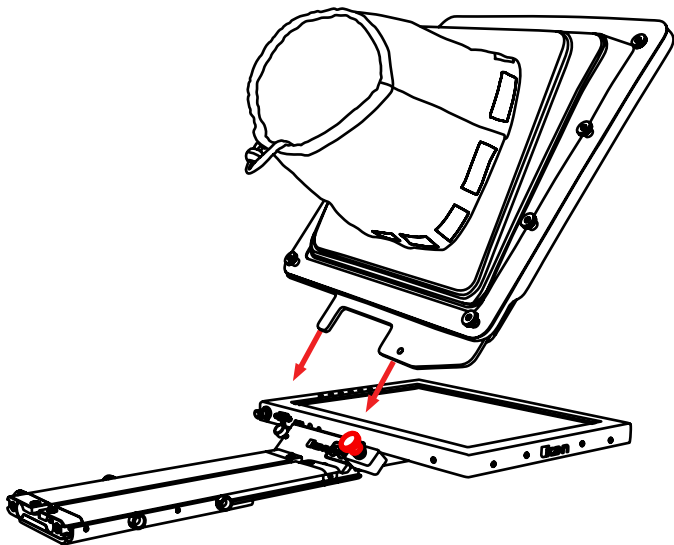
After the monitor mounts are attached, adjust the 15mm rods to accommodate the monitor. Leave about 1 inch of room for the teleprompter bracket. Make sure the 15mm rods go through both set of monitor mounts. Please ensure that all screws are properly tightened after inserting the monitor.

SAFETY NOTE Make sure to leave at least 2 inches of the rods inside the teleprompter base.



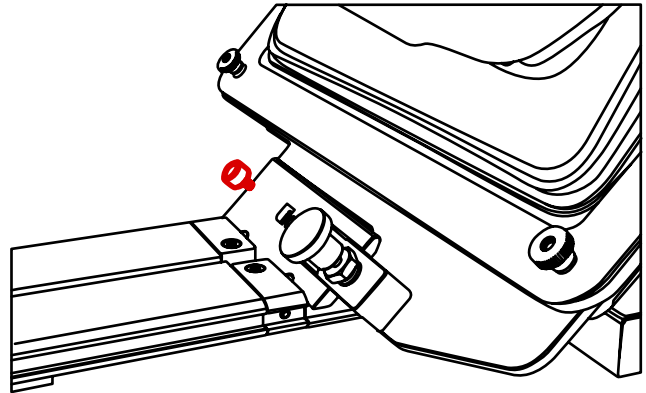
Step 9

While sliding the teleprompter bracket into the slot of the teleprompter base pull on the red knob to allow the bracket to fully slide in.



Step 10

Once the bracket is in place, tighten the side screw to lock in place. Double check and make sure all the screws are tightened with the included hex keys.



Step 11 (optional)

Should the teleprompter be too front heavy, you can attach the included counter weight on the back of the teleprompter base.

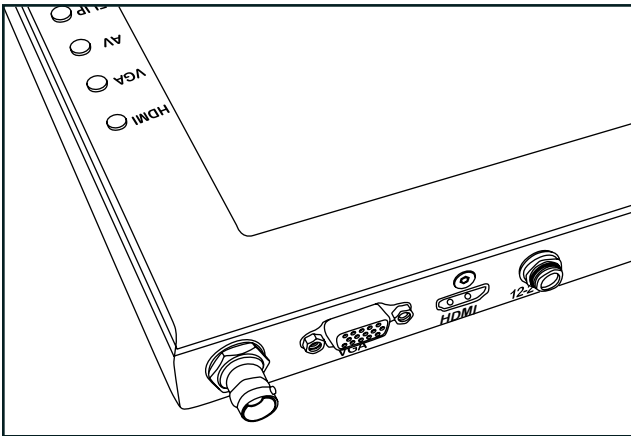
Foam Case

To make your teleprompter more portable, we packed it in a reusable, high-quality foam. The shape and size of the foam was designed to fit into Ikan's PT-CASE-V2.



**** DO NOT THROW AWAY FOAM CASE ****

Monitor Ports



BNC – AV Composite Input
VGA – Video Graphics Array DE15 Connection
HDMI – High-Definition Multimedia Interface Input Connection
Power Port – 12-24v Input

Monitor Menu Settings

Video Config

- Contrast (White Level)
- Brightness (Black Level)
- Tint (Chroma Hue)
- Chroma (Chroma Saturation)
- Sharpness (Detail)
- RGB Setup – Manually configure RGB
- Return

System Config

- Menu Duration – Set duration of how long menu stays on screen
- Video Ratio – Set screen aspect ratio 16:9 or 4:3 (4:3 is native resolution, 16:9 will create black bars)
- Flip-H – Assign toggle button to flip image horizontally
- Flip-V – Assign toggle button to flip image vertically
- Reset – Factory reset
- Return

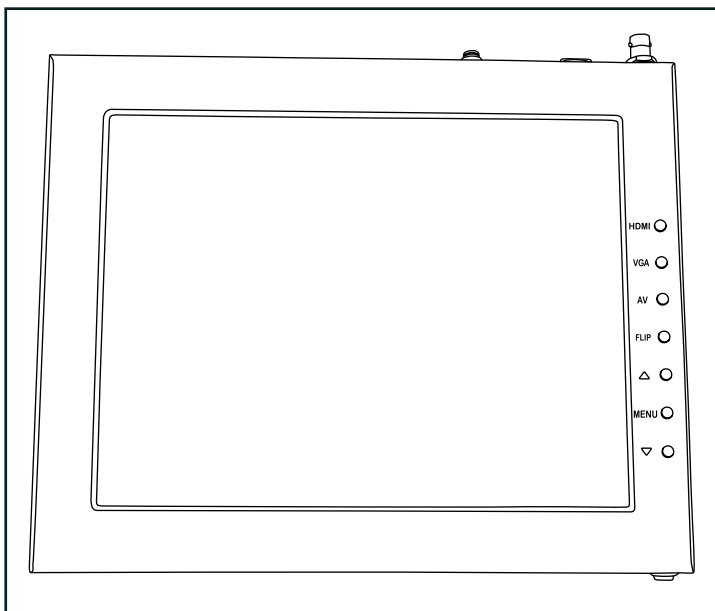
PC Setup (Only available for VGA)

- H-Position – Adjust horizontal position
- V-Position – Adjust vertical position
- Auto – Monitor automatically adjust position
- Return

Exit

How to set-up FLIP button feature:

1. Press MENU button
2. Navigate to SYSTEM CONFIG.
3. Navigate to FLIP-V or FLIP-H
4. Change FLIP-V and/or FLIP-H to "ON"
5. Exit MENU
6. The FLIP button should now be activated and can be pressed to mirror the image Horizontally or Vertically
7. When FLIP-H is ON, the image will flip Horizontally
8. When FLIP-V is ON, the image will flip Vertically
9. If both are ON, the FLIP button will toggle both Horizontal and Vertical flip



HDMI – Switch HDMI input
VGA – Switch to VGA input
AV – Switch to composite BNC input
Flip – Toggle image flip
(Can be set to horizontal, vertical, or both via menu)
Up Arrow – Toggle up to adjust setting
Menu – Access to monitor settings
Down Arrow – Toggle down to adjust setting

Watch our VIDEO TUTORIAL on how to assemble Ikan Professional Teleprompters:

https://youtu.be/5TjlxzBc_Vc



Specifications

General

Available Payload w/o Counterweight	18 lbs.
Available Payload w/ Counterweight	12.1 lbs.
Max Height of Full System	7.14 ft. / 2.18 m
Min Height of Full System	3.43 ft. / 1.05 m

17 in. Monitor

Aspect Ratio	4:3
Maximum Brightness	1000 cd/m2
Screen Size (Diagonal)	17 in.
Mount	VESA 100mm
Video Inputs	AV Composite, HDMI, VGA
Input Voltage	DC 12v / 4A
Power Consumption	22W
Product Weight	5 lbs.
Product Dimensions	15.5 in. x 13.75 in. x 1 in.
Native Resolution	1280 x 1024
Viewing Angle	160° (H) / 170° (V)
Build Material	Aluminum Chassis
Image Flip	Horizontal: Yes Vertical: Yes

17 in. Teleprompter

Riser Plate Height	Low: 2.06 in./52.5mm Medium: 3.74 in./95mm High: 5.31 in./135mm DSLR: 6.29 in./160mm
Length of Rods	15mm x 400mm
Build Material	Chassis: Anodized Aluminum Rods: Carbon Fiber
Reading Range	20 ft./6.1m
Beamsplitter Ratio	70/30
Beamsplitter Shape	Rectangular
Beamsplitter Material	Glass
Tripod Mounts	8 x 1/4 in. -20 Female 6 x 3/8 in. -16 Female
Product Weight w/ Low Plate	24.98 lbs.
Product Weight w/ Medium Plate	25.38 lbs.
Product Weight w/ High Plate	25.51 lbs.
Product Weight w/ DSLR Plate	24.88 lbs.
Sliding Range	5.9 in./150 mm
Shipping Weight	74 lbs.
Shipping Dimensions (in.)	Box 1: 41 x 20 x 11 Box 2: 25 x 20 x 16

Optional Accessories

- PT4500-G** Replacement Glass for both PT4500-SDI / PT4700-SDI
PT-CASE-V2 Rolling Hard Case for PT4500-SDI / PT4700-SDI Teleprompter



Learn More

More dynamic information at official website: www.ikancorp.com

Support

Contact email: support@ikancorp.com

CONDITIONS OF WARRANTY SERVICE

- Free service for one year from the day of purchase if the problem is caused by manufacturing errors.
- The components and maintenance service fee will be charged if the warranty period is expired.

Free Service will not be Provided in the Following Situations:(*Even if the product is still within the warranty period.)

- Damage caused by abuse or misuse, dismantling, or changes to the product not made by the company.
- Damage caused by natural disaster, abnormal voltage, and environmental factors, etc.

©2021 Ikan International. All rights reserved.







The magic life in the image world

E-IMAGE

GA102 100mm Aluminum Video Tripod

The GA102 two stage aluminum tripod supports a payload weighing up to 132 lbs. It is made of lightweight aluminum, has a 100mm bowl, and the legs are a twin tube design with two stages. The tripod can be adjusted to a maximum height of 63" and a minimum height of 18" with a folded length of 29". The mono-lock feature allows for quick height adjustments of both stages with one twist. An adjustable floor spreader provides extra security and stability.




 100mm	 160.0cm 63.0in	 47.0cm 18.5in	 74.0cm 29.1in
 60.0kg 132.0lbs	 5.1kg 11.2lbs	 Aluminum	 3


2-stages With Mono-lock Patent Design

Mono-lock design allows you to lock and unlock the three sections of each leg using only one locking lever quicker than normal.



Mono-Lock Design

 One lock for one section

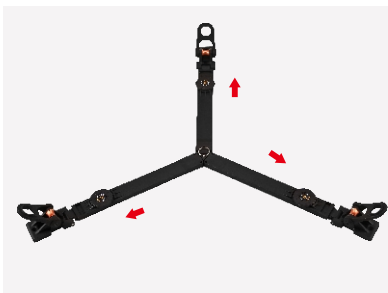
 One lock for one section

FEATURES



100mm Bowl Size

Compatible with all professional 100mm half-ball video heads.



Extendable Ground Spreader

Extendable spreader is designed to offer added stability to the tripod.



Removable Rubber Feet

Removable feet attach to the spiked feet for working on delicate or hard surfaces.



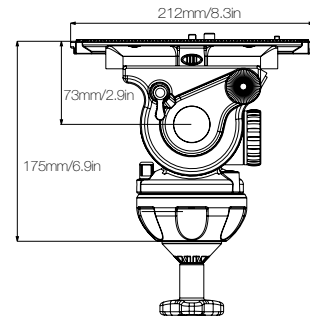
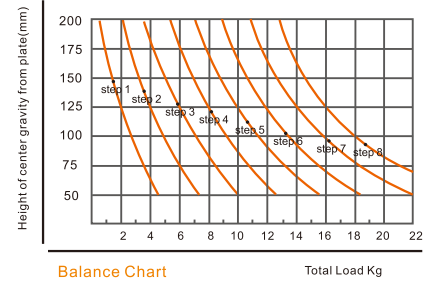
The magic life in the image world

E-IMAGE

GH20 100mm Fluid Head



-  100mm
-  20.0kg / 44.0lbs
-  0-8



FEATURES



Fixed drag of pan & tilt



Longer sliding plate











Leveling bubble



8 plus 0 steps of counterbalance

SPECIFICATIONS

Model	GH20
 Payload Range	20.0kg / 44.0lbs
 Counterbalance Range	0-8
 Grades Of Pan Drag	Fixed
 Grades Of Tilt Drag	Fixed
 Tilt Range	-60°/+90°
 Temperature Range	-30°C~+60°C
 Bowl Size	100mm
 Net Weight	3.5kg / 7.7lbs



The magic life in the image world

E-IMAGE

VIDEO TRIPOD



Model	GA101
	100mm
	140.5cm / 55.3in
	63.5cm / 25.0in
	85.0cm / 25.0in
	60.0kg / 132.0lbs
	4.5kg / 9.9lbs
	Aluminum
	2

VIDEO TRIPOD SYSTEM



Model	EG20A (GH20+GA101)
	20.0kg / 44.0lbs
	156.0cm / 61.4in
	79.0cm / 31.1in
	100.5cm / 39.6in
	8.4kg / 18.5lbs
	100mm
Packing	T30

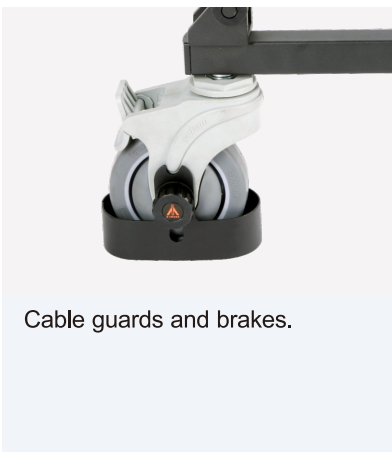
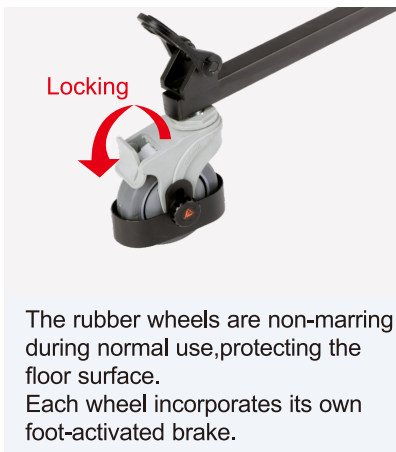
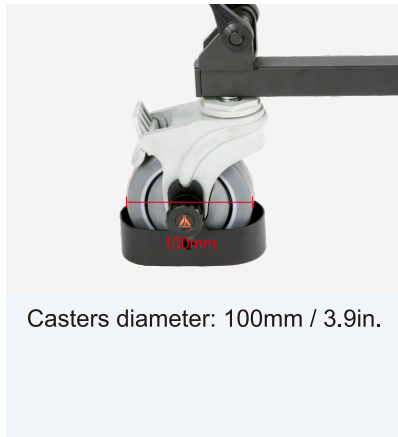
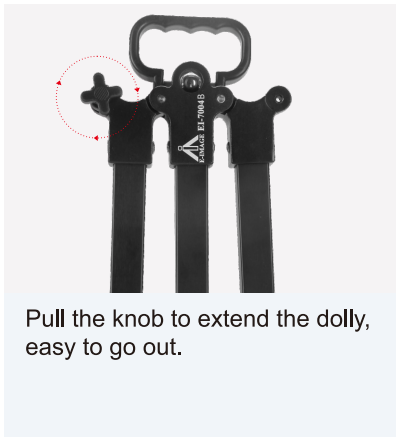


EI-7004B Video Dolly

Super sturdy, designed for heavy duty systems. The 100mm/4 inch wheels can be individually braked.

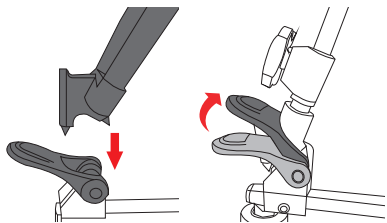


FEATURES



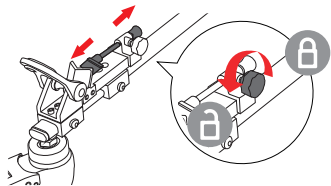
Using

Using

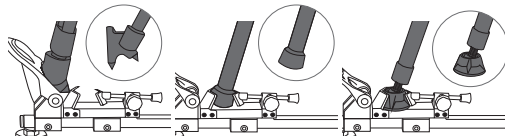


Attach the tripod or pedestal to the dolly. Please remove the camera from the tripod or pedestal before assemble the tripod to the dolly. Make sure that the leg bands at three positions are securely fixed.

This operation suitable for all E-IMAGE dollies.



Loose the knob in the anticlockwise direction to adjust the position of the locking slider.

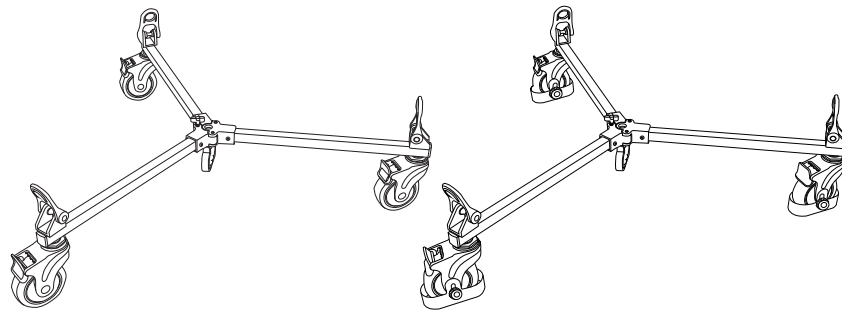


EI-7003C is a professional universal tripod dolly which comes with fully adjustable leg locks to fit almost all full-sized tripods.

EI-7004 & 7004B & 7004C

EI-7004 & 7004B

Model	Net Weight	Footprint diameter	Safety Payload	Casters diameter
EI-7004	3.2kg/7.0lbs	100cm/39.4in	60kg/132.3lbs	100mm/4.0in
EI-7004B	6.8kg/15.0lbs	100cm/39.4in	60kg/132.3lbs	100mm/4.0in



EI-7004

EI-7004B