

PT4500W-TRIPOD-TK



15" Widescreen Teleprompter, Tripod & Dolly Turnkey w/ Travel Case

What's Included

- 1 x GA102 Tripod Legs
- 1 x T30 Carrying Bag
- 1 x EI-7004B Dolly w/ Wheels & Cable Guards
- 1 x GH20 Fluid Head
- 2 x Pan Handles
- 1 x Base Plate
- 1 x Bottom Plate
- 1 x Base
- 1 x Glass Frame Holder Bracket
- 1 x 15 in. 70/30 Teleprompter Glass
- 1 x Hood Attachment Frame
- 1 x Teleprompter Hood Boot
- 1 x Silicone Teleprompter Hood
- 1 x Glass Holder
- 2 x 15mm Rod Clamps
- 2 x 15mm Rods
- 1 x Large Riser Camera Mount
- 2 x 3/8-16 D-Ring Screws
- 1 x Counterweight
- 1 x Large Riser
- 1 x DSLR/Mirrorless Riser
- 1 x Medium Riser
- 1 x Short Riser Plate
- 1 x SDI 15 in. Widescreen Teleprompter Monitor
- 1 x AC Adapter with Cord
- 1 x Teleprompter Glass
- 1 x PrompterPro Software (FREE with this teleprompter)
- 1 x Rolling Hard Case for Teleprompter System



OVERVIEW

Ikan's Turnkey Broadcast Solutions include everything you need for your professional camera setup. This solution includes a 15" widescreen teleprompter, tripod, and dolly. All of our systems have been tested internally for payload compatibility.

The remaining payload capacity, after mounting the full 15" teleprompter system without the counterweight, can accommodate camera setups up to 25.2 lbs. The tripod, without the teleprompter system, can accommodate cameras up to 44.1 lbs. This solution also includes a carrying bag for the tripod.



PT4500W-TRIPOD-TK

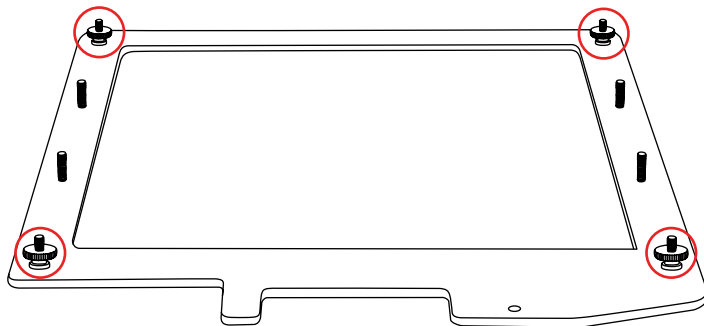
15" High Bright Beam Splitter Teleprompter



Teleprompter Assmebly Setup

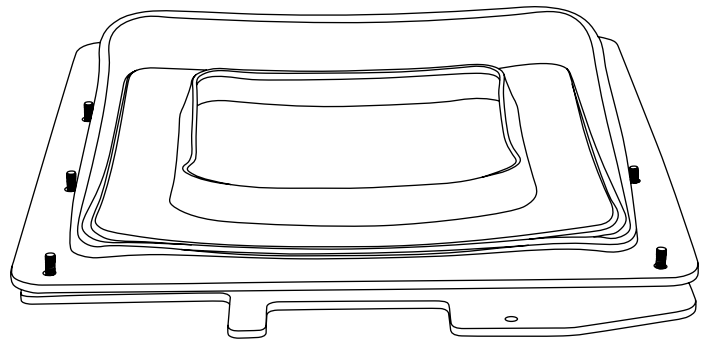
Step 1

Place the teleprompter glass frame on a flat surface and remove the four screws as shown.



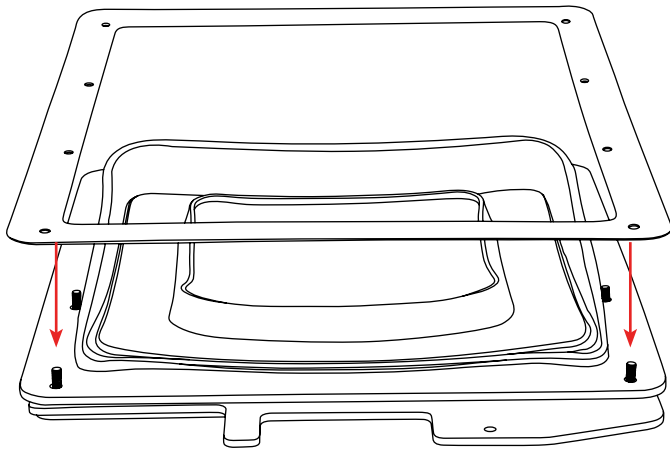
Step 2

Align and attach the teleprompter hood with the 8 screw pegs from the teleprompter frame.



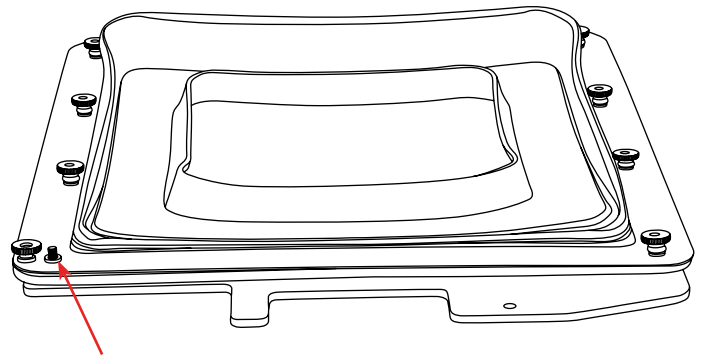
Step 3

The metal frame is directional. Make sure the thicker side is on top and the slimmer side is on the bottom.



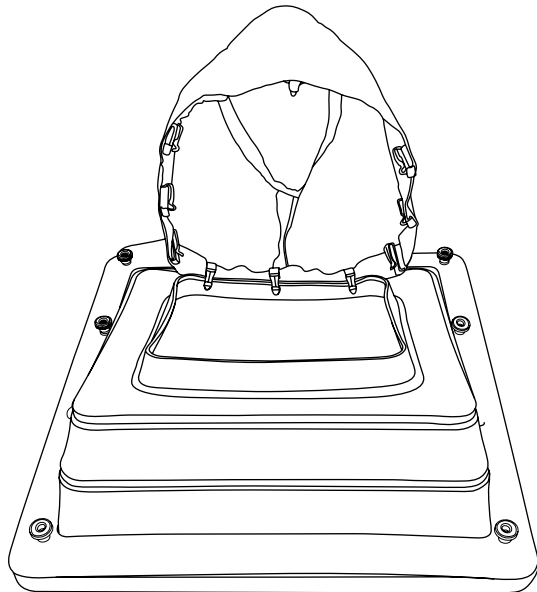
Step 4

Put the washers on before tightening the screws. The washers and 4 additional screws are inside a bag on the bottom foam.



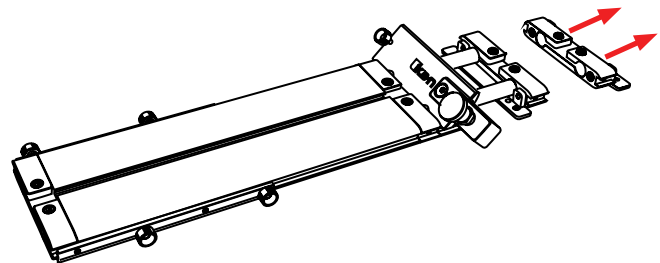
Step 5

Extend the teleprompter hood open and attach teleprompter boot using the clips. It is suggested to align the seam with the bottom of the teleprompter hood.



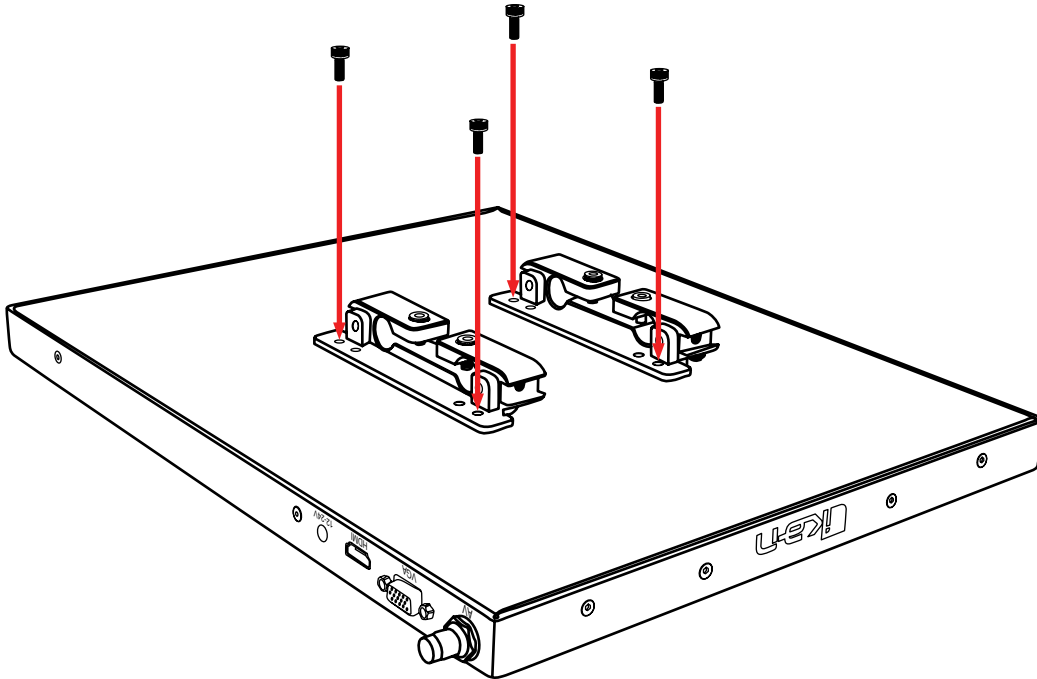
Step 6

Remove the monitor mounts from the teleprompter base using the included larger 4mm hex key to loosen from the 15mm rods.



Step 7

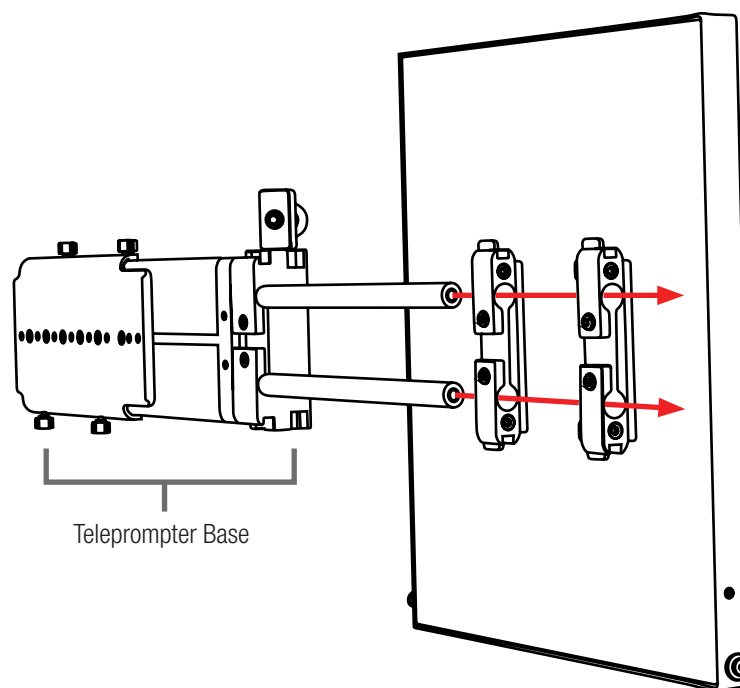
Attach the monitor mounts on the back of the monitor's VESA compatible threads using the 4 included screws and provided 2mm hex key.



Step 8

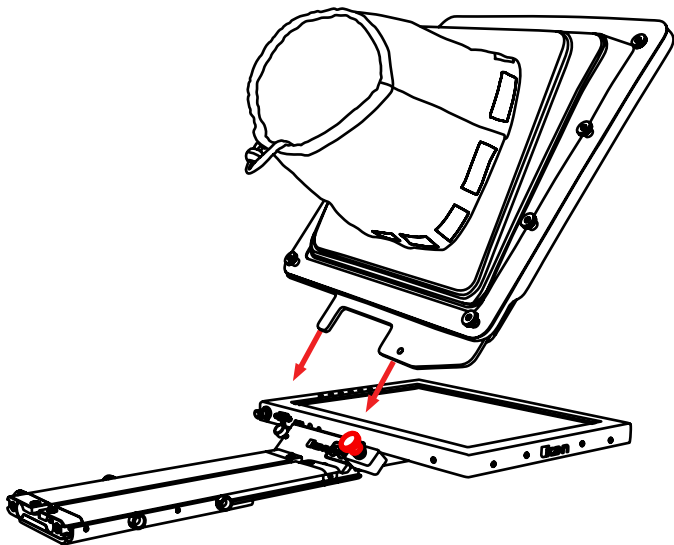
After the monitor mounts are attached, adjust the 15mm rods to accommodate the monitor. Leave about 1 inch of room for the teleprompter bracket. Make sure the 15mm rods go through both set of monitor mounts. Please ensure that all screws are properly tightened after inserting the monitor.

SAFETY NOTE Make sure to leave at least 2 inches of the rods inside the teleprompter base.



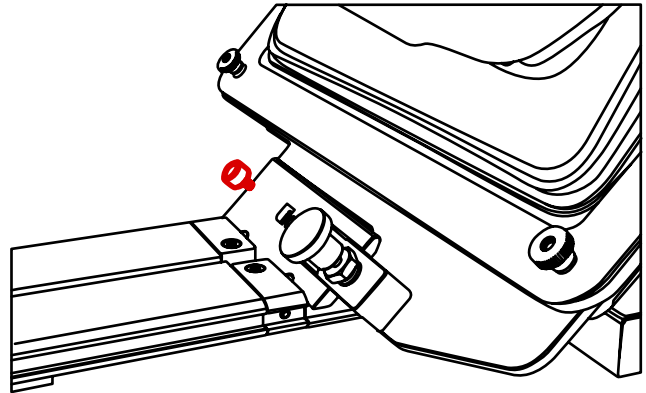
Step 9

While sliding the teleprompter bracket into the slot of the teleprompter base pull on the red knob to allow the bracket to fully slide in.



Step 10

Once the bracket is in place, tighten the side screw to lock in place. Double check and make sure all the screws are tightened with the included hex keys.



Step 11 (optional)

Should the teleprompter be too front heavy, you can attach the included counter weight on the back of the teleprompter base.

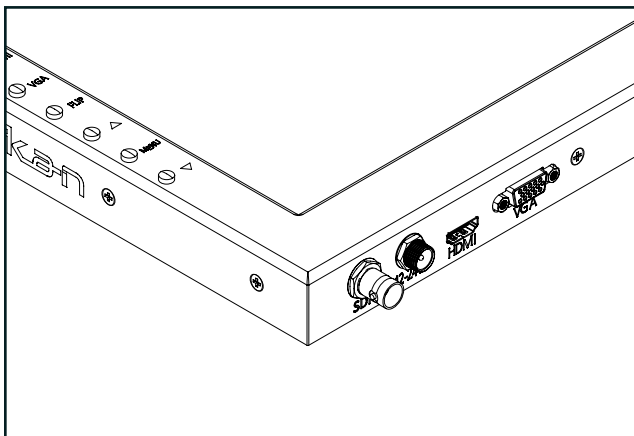
Foam Case

To make your teleprompter more portable, we packed it in a reusable, high-quality foam. The shape and size of the foam was designed to fit into Ikan's PT-CASE-V2.



**** DO NOT THROW AWAY FOAM CASE ****

Monitor Ports



BNC – AV Composite Input
VGA – Video Graphics Array DE15 Connection
HDMI – High-Definition Multimedia Interface Input Connection
Power Port – 12-24v Input

Monitor Menu Settings

Video Config

- Contrast (White Level)
- Brightness (Black Level)
- Tint (Chroma Hue)
- Chroma (Chroma Saturation)
- Sharpness (Detail)
- RGB Setup – Manually configure RGB
- Return

System Config

- Menu Duration – Set duration of how long menu stays on screen
- Video Ratio – Set screen aspect ratio 16:9 or 4:3 (4:3 is native resolution, 16:9 will create black bars)
- Flip-H – Assign toggle button to flip image horizontally
- Flip-V – Assign toggle button to flip image vertically
- Reset – Factory reset
- Return

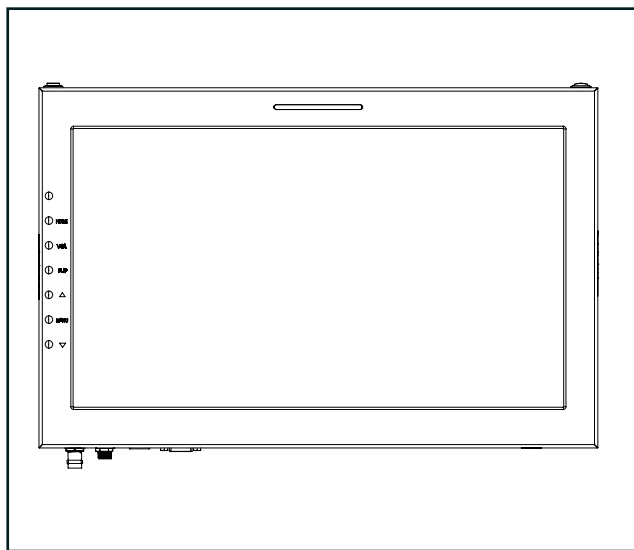
PC Setup (Only available for VGA)

- H-Position – Adjust horizontal position
- V-Position – Adjust vertical position
- Auto – Monitor automatically adjust position
- Return

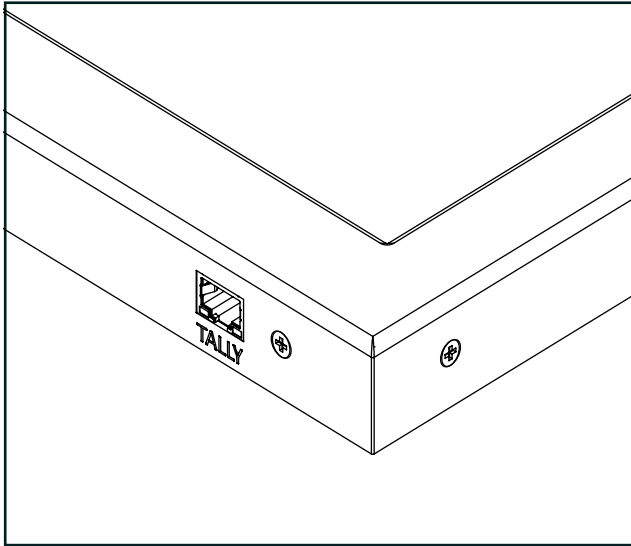
Exit

How to set-up FLIP button feature:

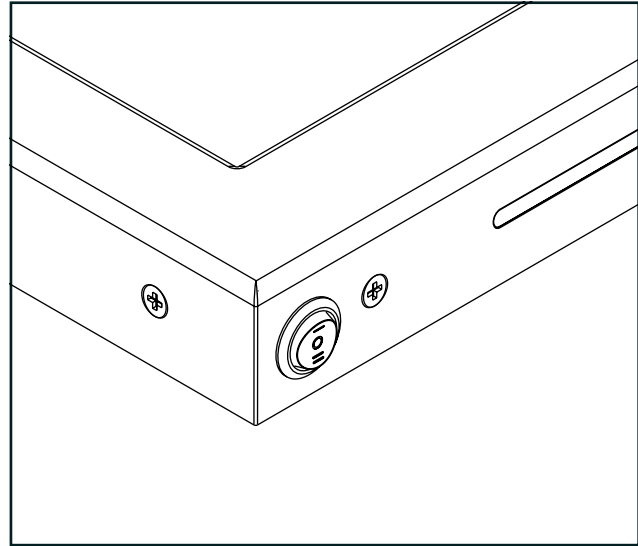
1. Press MENU button
2. Navigate to SYSTEM CONFIG.
3. Navigate to FLIP-V or FLIP-H
4. Change FLIP-V and/or FLIP-H to "ON"
5. Exit MENU
6. The FLIP button should now be activated and can be pressed to mirror the image Horizontally or Vertically
7. When FLIP-H is ON, the image will flip Horizontally
8. When FLIP-V is ON, the image will flip Vertically
9. If both are ON, the FLIP button will toggle both Horizontal and Vertical flip



HDMI – Switch HDMI input
VGA – Switch to VGA input
AV – Switch to composite BNC input
Flip – Toggle image flip
(Can be set to horizontal, vertical, or both via menu)
Up Arrow – Toggle up to adjust setting
Menu – Access to monitor settings
Down Arrow – Toggle down to adjust setting



TALLY – RJ45 Ethernet Port



TALLY SWITCH – Switch between two Tally locations

Specifications

PT4500W

Aspect Ratio	16:9
Maximum Brightness	1000 cd/m2
Screen Size (Diagonal)	15 in.
Mount	VESA 100mm
Video Inputs	SDI, HDMI, VGA
Input Voltage	DC 12v
Power Consumption	26.5W
Product Weight	3.73 lbs.
Product Dimensions	15.7 x 10.6 x 1.1 in.
LCD Panel Dimensions	13.5 x 7.7 in.
Native Resolution	1920 x 1080
Viewing Angle	178° (H) / 178° (V)
Build Material	Aluminum Chassis
Image Flip	Horizontal: Yes Vertical: Yes
Tally Input Port	RJ45 (3-Pin)

Watch our VIDEO TUTORIAL on how to assemble Ikan Professional Teleprompters:

https://youtu.be/5TjlxzBc_Vc



Optional Accessories

- PT4500-G** Replacement Glass for both PT4500 / PT4700
- PT15-HB-V2** 15" High Bright Monitor (for PT4500)
- PT17-HB-V2** 17" High Bright Monitor (for PT4700)
- PT-CASE-V2** Rolling Hard Case for PT4500/PT4700 Teleprompter

Learn More

More dynamic information at official website: www.ikancorp.com

Support

Contact email: support@ikancorp.com

CONDITIONS OF WARRANTY SERVICE

- Free service for one year from the day of purchase if the problem is caused by manufacturing errors.
- The components and maintenance service fee will be charged if the warranty period is expired.

Free Service will not be Provided in the Following Situations:(*Even if the product is still within the warranty period.)

- Damage caused by abuse or misuse, dismantling, or changes to the product not made by the company.
- Damage caused by natural disaster, abnormal voltage, and environmental factors, etc.

©2022 Ikan International. All rights reserved.

