



PT2500-UGK-2

Upgrade Kit for users with any 15mm rod based system
QUICKSTART GUIDE

CONDITIONS OF WARRANTY SERVICE

- Free service for one year from the day of purchase if the problem is caused by manufacturing errors.
- The components and maintenance service fee will be charged if the warranty period has expired.

Free Service will not be Provided in the Following Situations: (*Even if the product is still within the warranty period.)

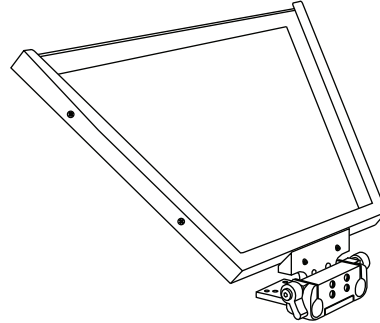
- Damage caused by abuse or misuse, dismantling, or changes to the product not made by the company.
- Damage caused by natural disaster, abnormal voltage, and environmental factors etc.

Upgrade Kit QUICKSTART GUIDE

What's included



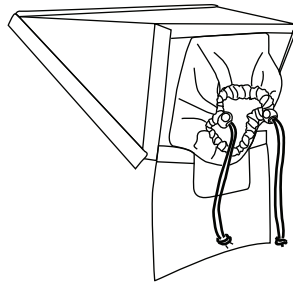
V8000 LCD Monitor



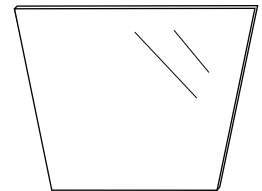
Frame



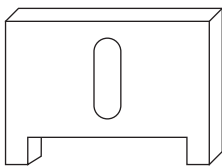
PrompterPro Software



Hood



30/70 Prompter Glass



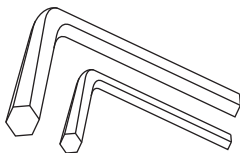
Monitor Mount



1 x 1/4-20 Socket Head screw



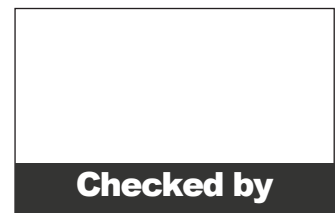
2 x 4mm X 20mm Socket Head Countersink Screw



1 x HEX KEY 3mm
1 x HEX KEY 1/8 inch



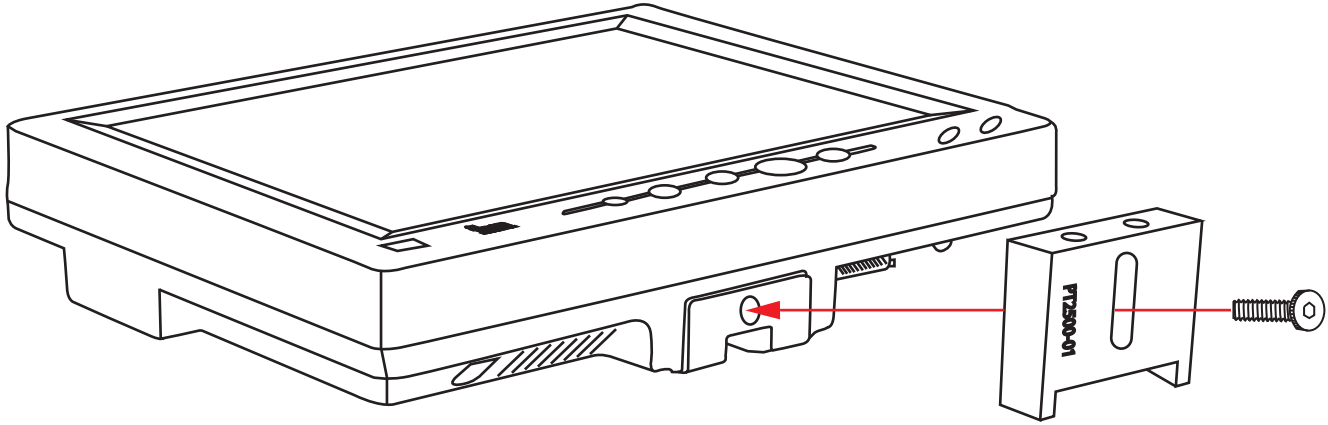
1 x D-Ring



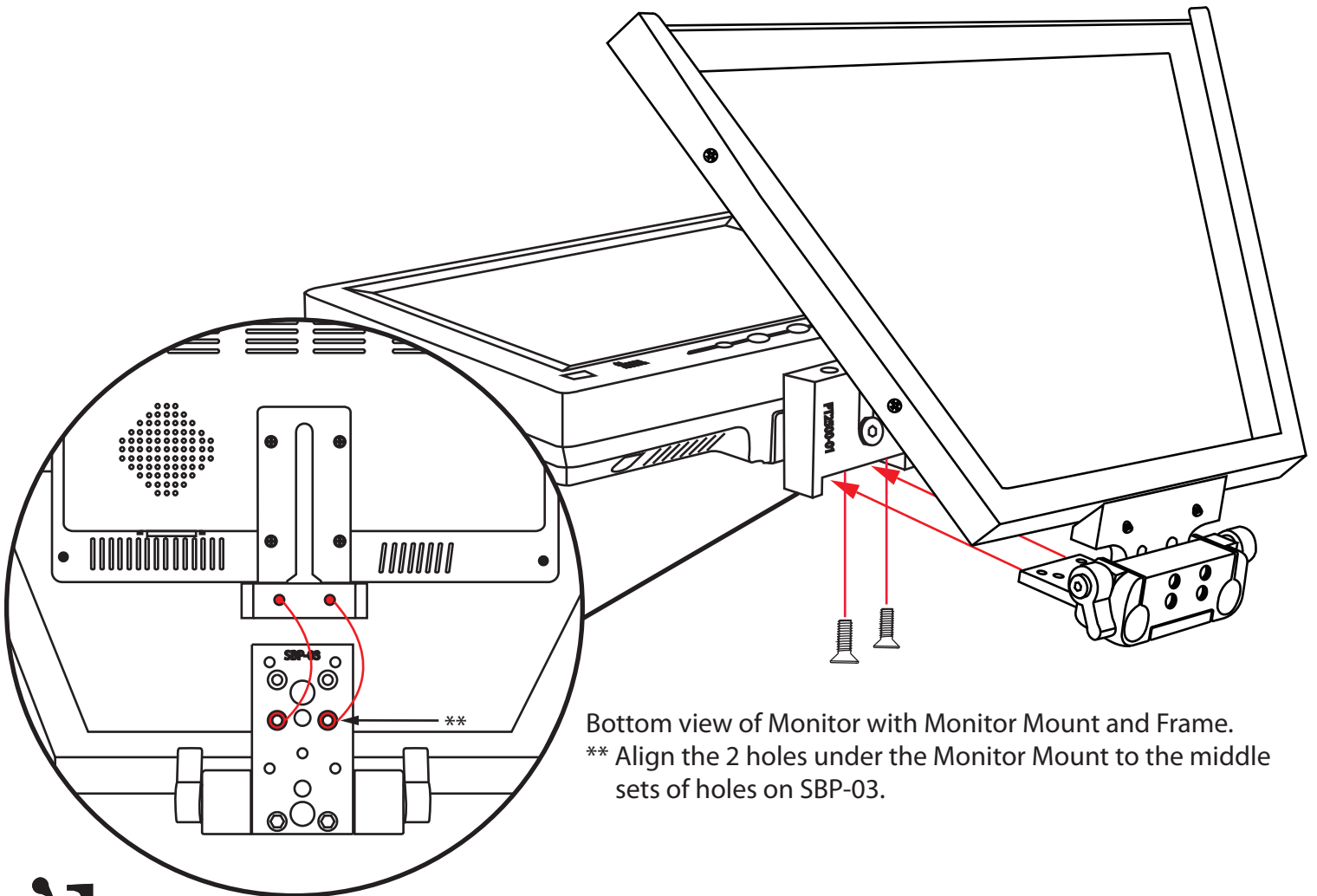
Upgrade Kit QUICKSTART GUIDE

GETTING STARTED

1. Secure monitor to Monitor Mount with Socket Head Screw.



2. Fit Frame to Monitor Mount. Secure with 2 x Socket Head Countersink Screw.



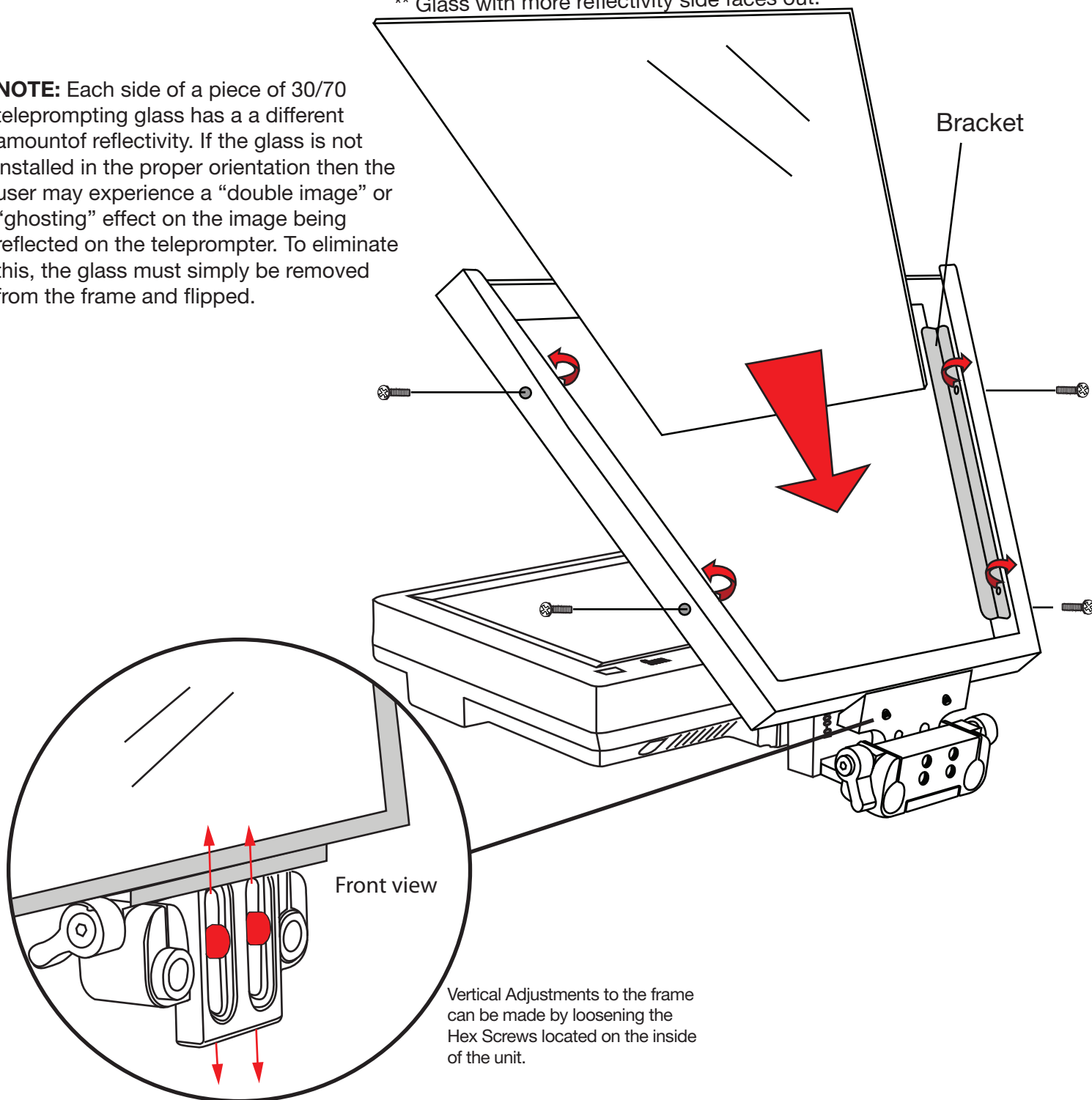
Bottom view of Monitor with Monitor Mount and Frame.
** Align the 2 holes under the Monitor Mount to the middle sets of holes on SBP-03.

Upgrade Kit QUICKSTART GUIDE

3. Remove 4 x small frame screws and 2 x brackets. Insert prompter glass into frame. Secure prompter glass by replacing brackets and screws.

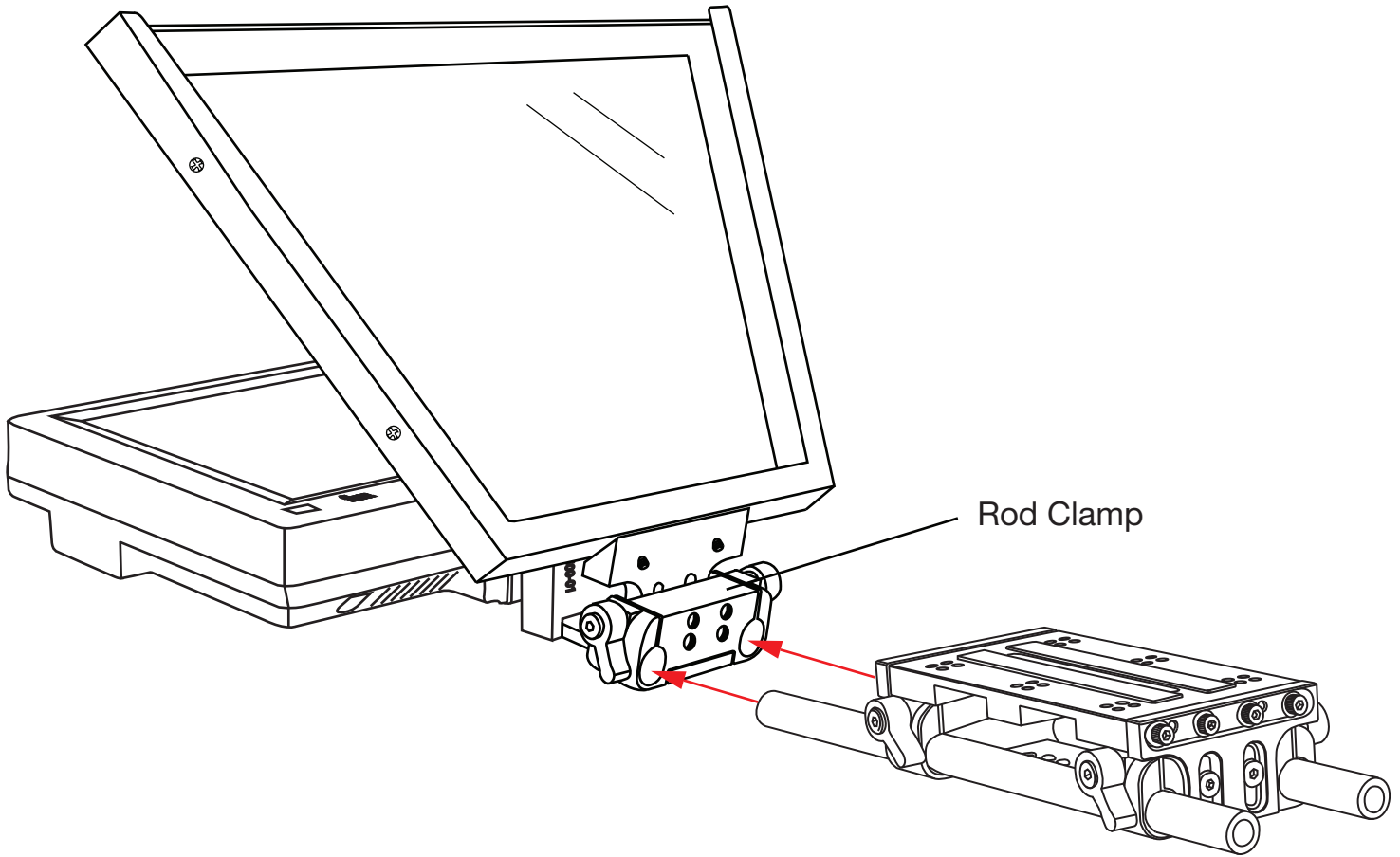
NOTE: Each side of a piece of 30/70 teleprompting glass has a different amount of reflectivity. If the glass is not installed in the proper orientation then the user may experience a “double image” or “ghosting” effect on the image being reflected on the teleprompter. To eliminate this, the glass must simply be removed from the frame and flipped.

** Glass with more reflectivity side faces out.



Upgrade Kit QUICKSTART GUIDE

4. Secure your 15mm rod based system.



Upgrade Kit QUICKSTART GUIDE

5. Apply Velcro to Frame border. Attach Hood.

