



## **PT2500-UGK-1**

### **Upgrade Kit for users with PT1000/PT1000W/PT2100 QUICKSTART GUIDE**

---

#### **CONDITIONS OF WARRANTY SERVICE**

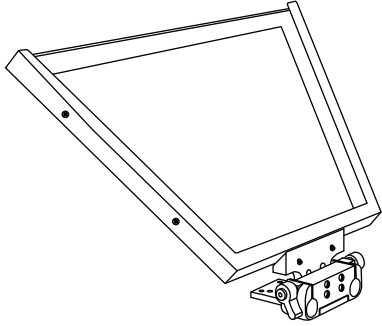
- Free service for one year from the day of purchase if the problem is caused by manufacturing errors.
- The components and maintenance service fee will be charged if the warranty period has expired.

Free Service will not be Provided in the Following Situations: (\*Even if the product is still within the warranty period.)

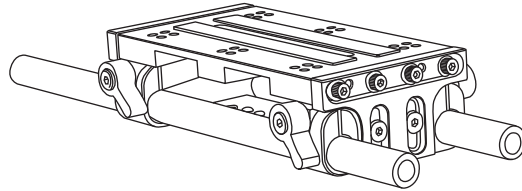
- Damage caused by abuse or misuse, dismantling, or changes to the product not made by the company.
- Damage caused by natural disaster, abnormal voltage, and environmental factors etc.

## Upgrade Kit QUICKSTART GUIDE

### What's included



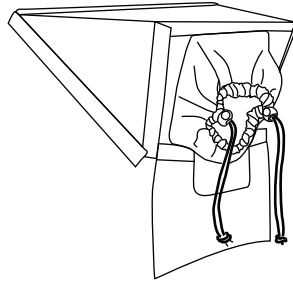
Frame



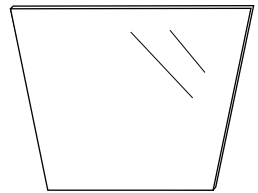
EV2 Adjustable Camcorder Baseplate (Large)



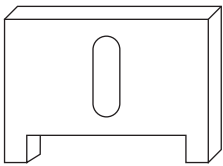
PrompterPro Software



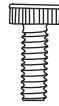
Hood



30/70 Prompter Glass



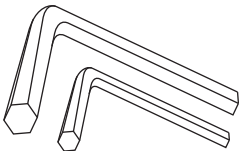
Monitor Mount



1 x 1/4-20 Socket Head screw



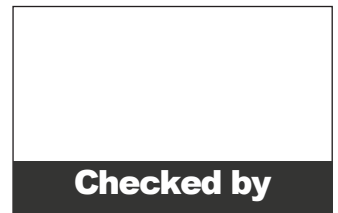
2 x 4mm X 20mm Socket Head Countersink Screw



1 x HEX KEY 3mm  
1 x HEX KEY 1/8 inch



1 x D-Ring

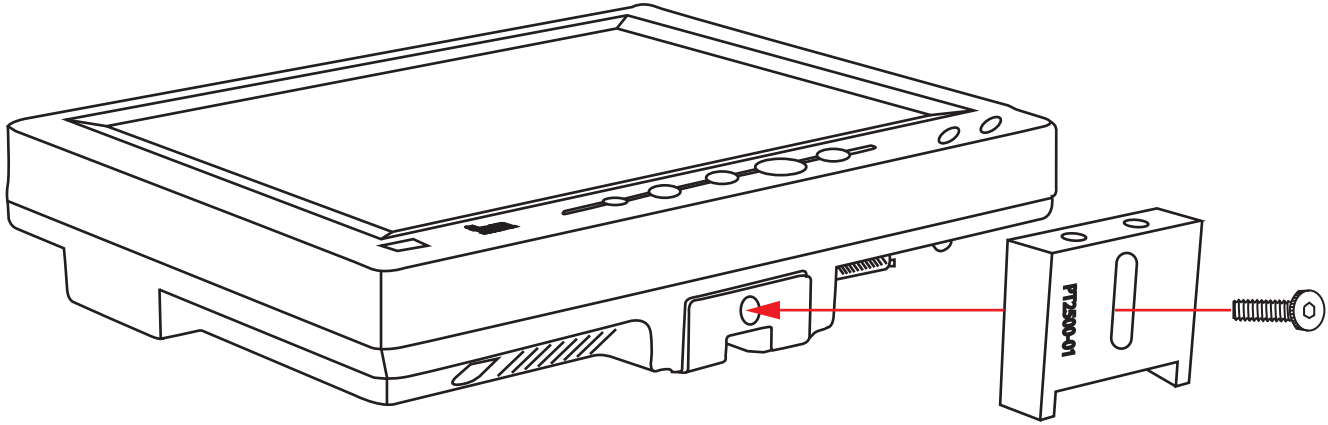


**Checked by**

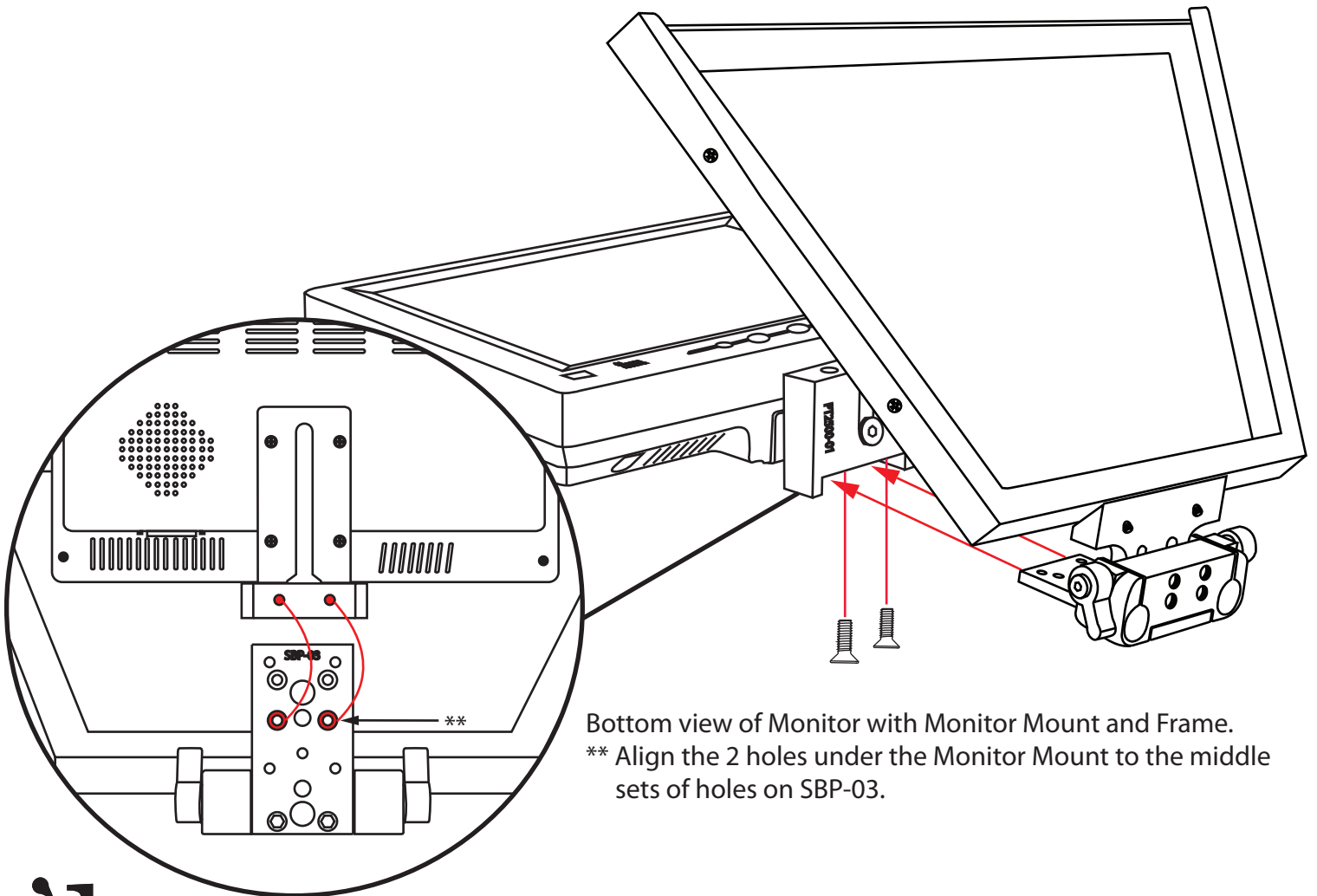
## Upgrade Kit QUICKSTART GUIDE

### GETTING STARTED

1. Secure your monitor to Monitor Mount with Socket Head Screw.



2. Fit Frame to Monitor Mount. Secure with 2 x Socket Head Countersink Screw.



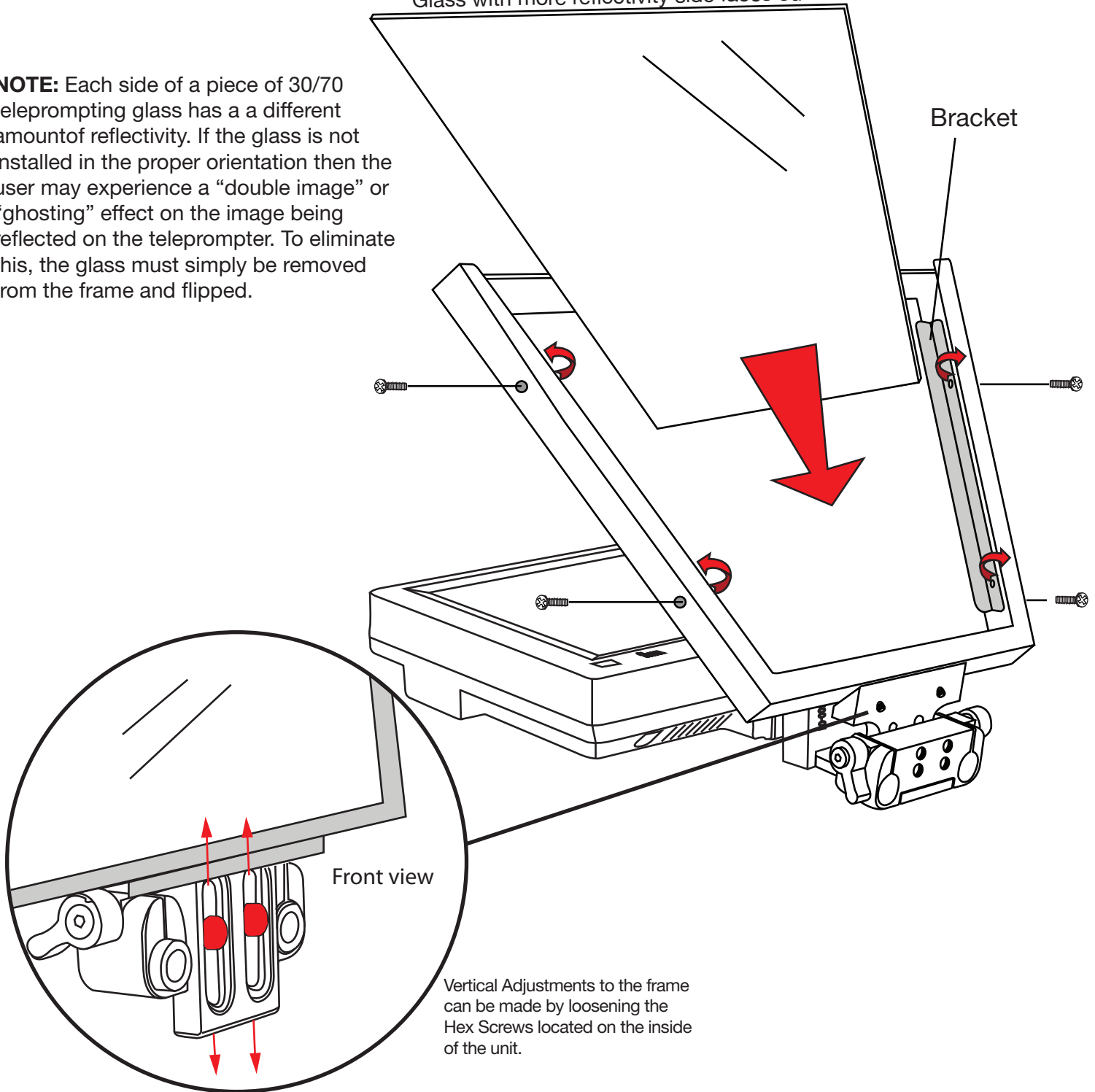
Bottom view of Monitor with Monitor Mount and Frame.  
\*\* Align the 2 holes under the Monitor Mount to the middle sets of holes on SBP-03.

## Upgrade Kit QUICKSTART GUIDE

3. Remove 4 x small frame screws and 2 x brackets. Insert prompter glass into frame. Secure prompter glass by replacing brackets and screws.

**NOTE:** Each side of a piece of 30/70 teleprompting glass has a different amount of reflectivity. If the glass is not installed in the proper orientation then the user may experience a “double image” or “ghosting” effect on the image being reflected on the teleprompter. To eliminate this, the glass must simply be removed from the frame and flipped.

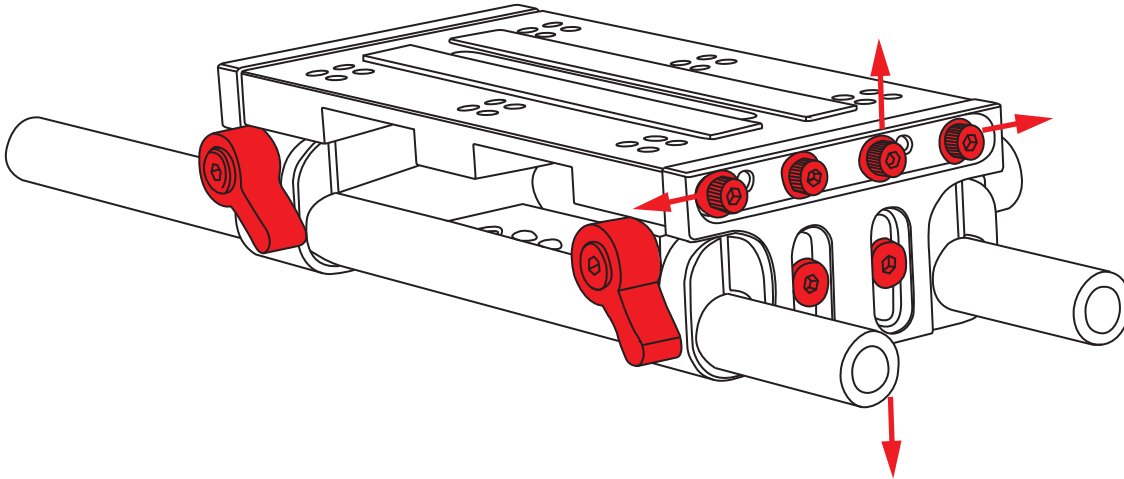
\*\* Glass with more reflectivity side faces out.



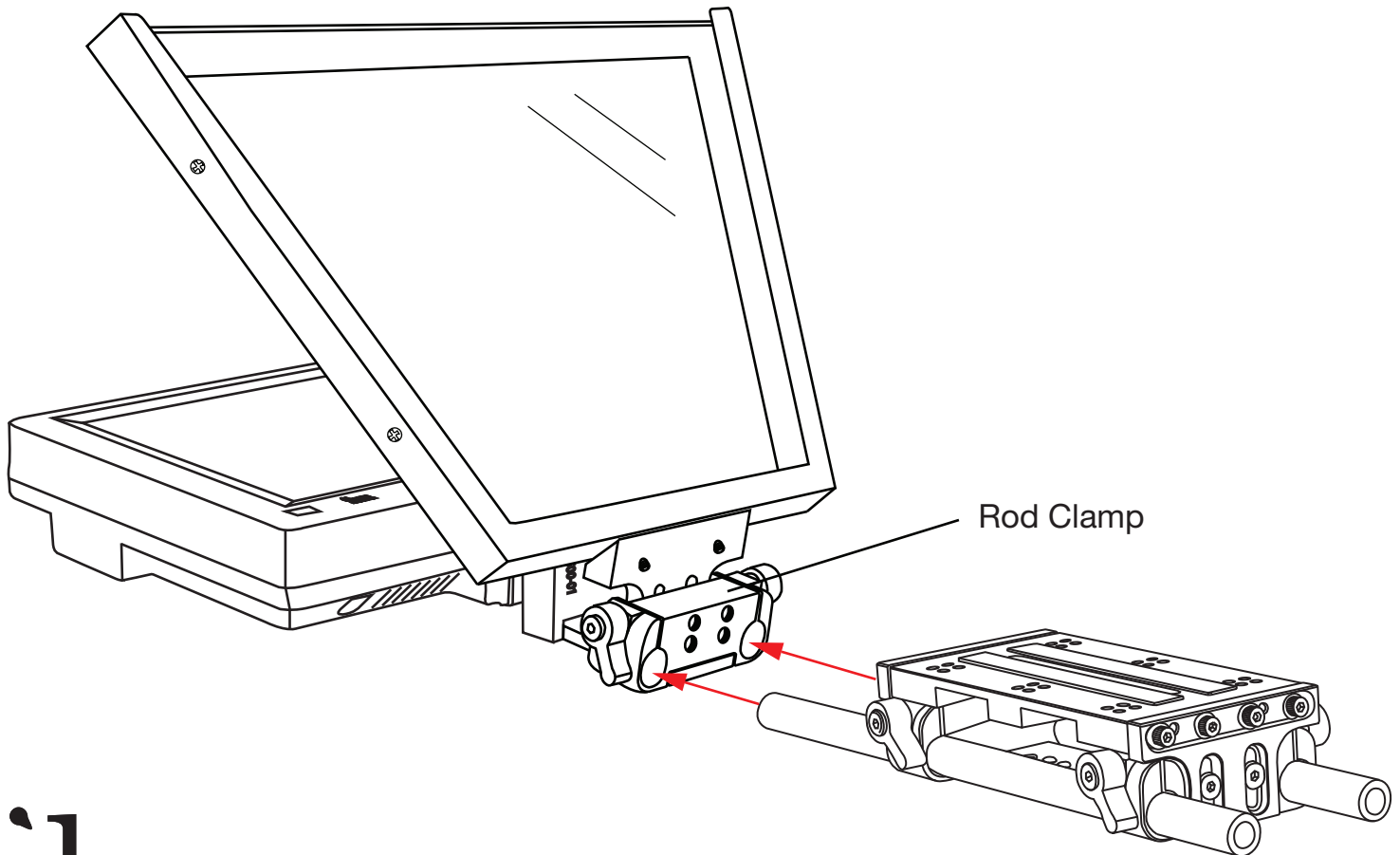
## Upgrade Kit QUICKSTART GUIDE

### ADJUSTMENT POINTS *(adjust to fit your camera size)*

Numerous Adjustment Points allow for precise positioning modifications. Loosen Thumb Screws to move forward/backwards along 12" Rods. Loosen Hex Screws to make vertical and horizontal adjustments.

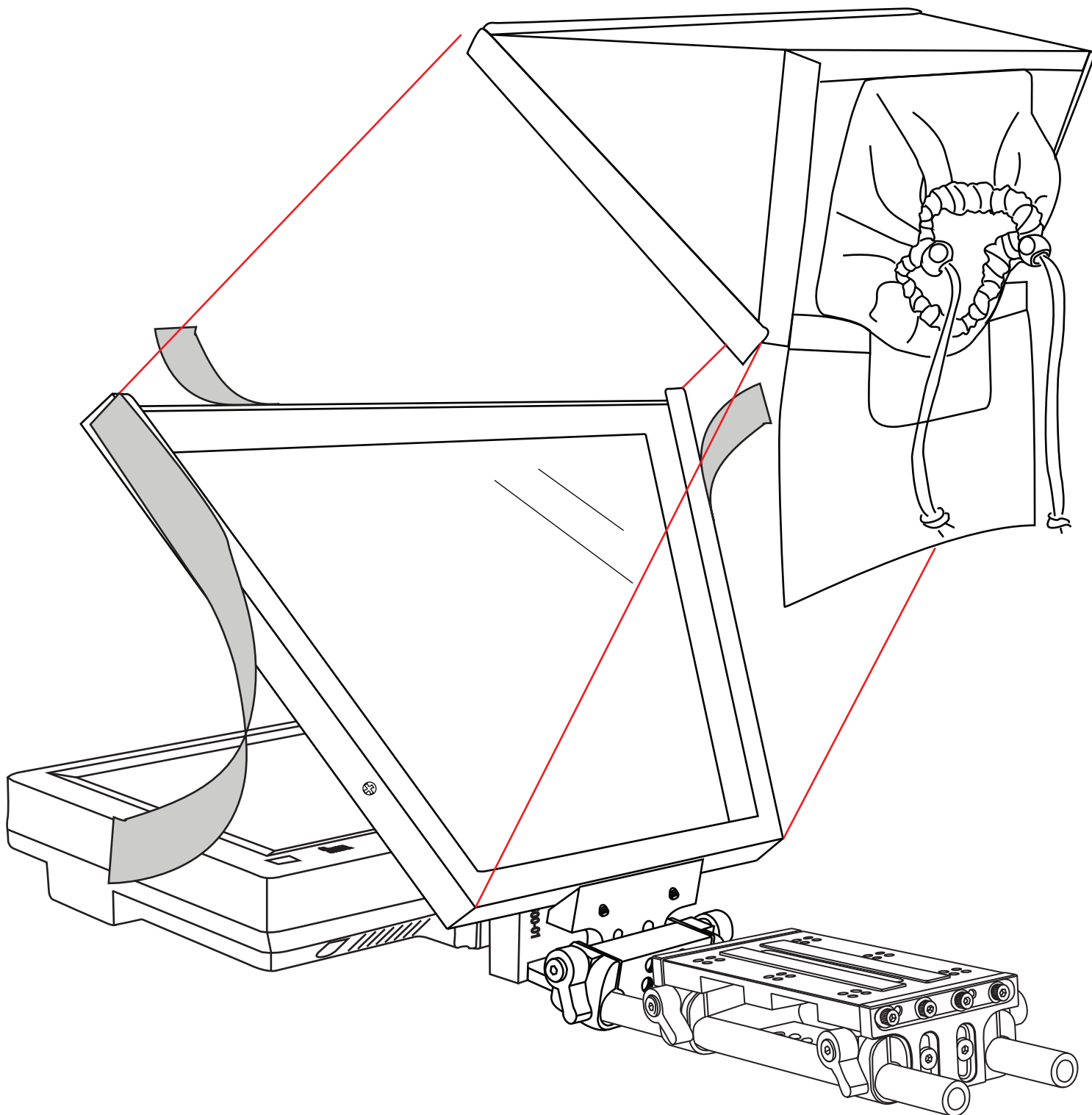


4. Secure Large Baseplate rods to Rod Clamp.



## Upgrade Kit QUICKSTART GUIDE

5. Apply Velcro to Frame border. Attach Hood.



## Upgrade Kit QUICKSTART GUIDE

### QUICK RELEASE MOUNTING OPTIONS

The ikan Large Baseplate is compatible with both the Canon TA100 and ikan-WDGL Tripod Adapter Systems. Simply mount your Quick Release Plate to the bottom of the Large Baseplate component on the appropriate end, using four (4) Socket Head Countersink Screws.

