



Note: iPad not included.

PT-Elite-RC

Elite iPad Teleprompter Kit And Elite-Remote

QUICKSTART GUIDE

CONDITIONS OF WARRANTY SERVICE

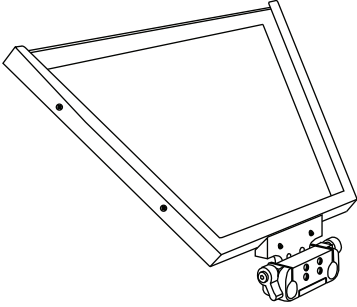
- Free service for one year from the day of purchase if the problem is caused by manufacturing errors.
- The components and maintenance service fee will be charged if the warranty period has expired.

Free Service will not be Provided in the Following Situations: (*Even if the product is still within the warranty period.)

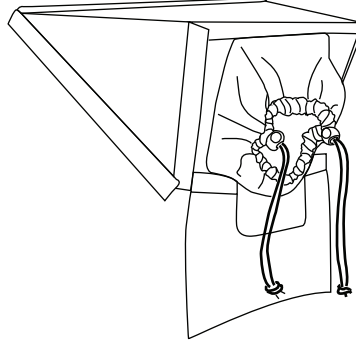
- Damage caused by abuse or misuse, dismantling, or changes to the product not made by the company.
- Damage caused by natural disaster, abnormal voltage, and environmental factors etc.

Elite Ipad Teleprompter Kit And Elite-Remote QUICKSTART GUIDE

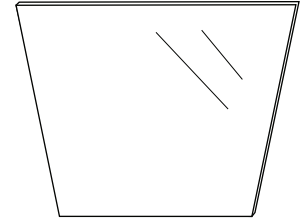
What's included



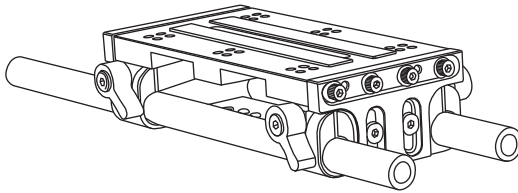
Glass Frame



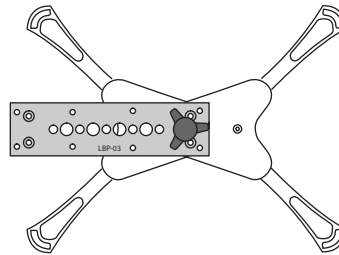
Hood



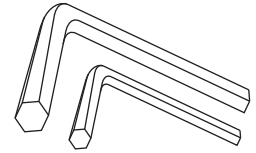
30/70 Prompter Glass



EV2 Adjustable Camcorder Baseplate (Large)



iPad Teleprompter Mount



1 x Hex Key 3mm
1 x Hex Key 2.5mm



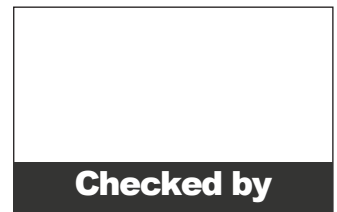
4 x Bumper



1 x D-Ring



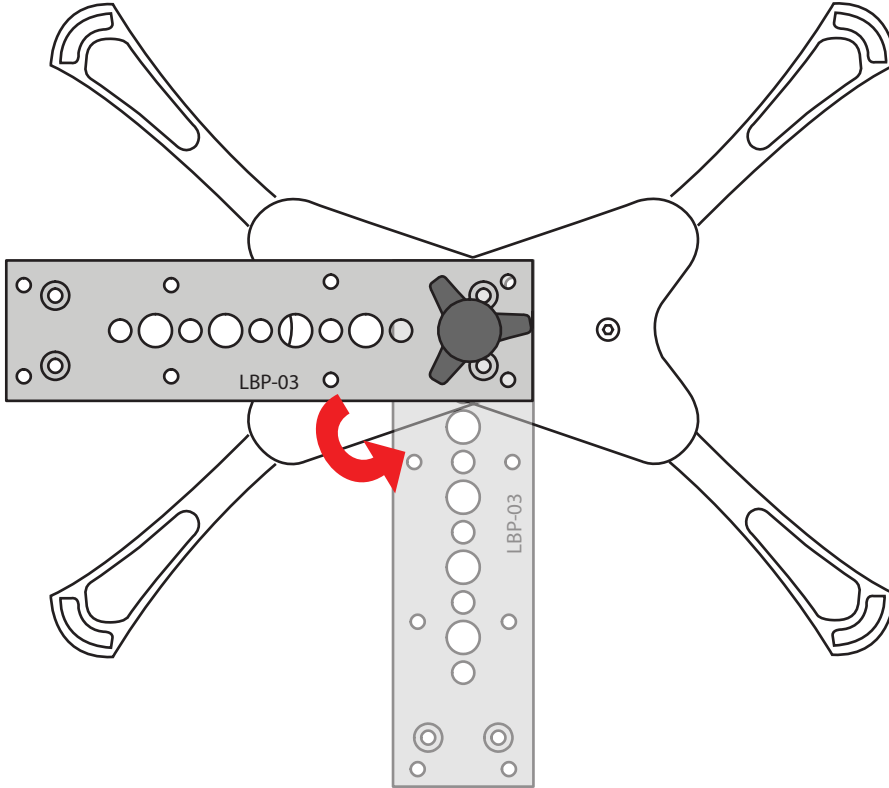
2 x 4mm X 12mm Socket Head Countersink Screw



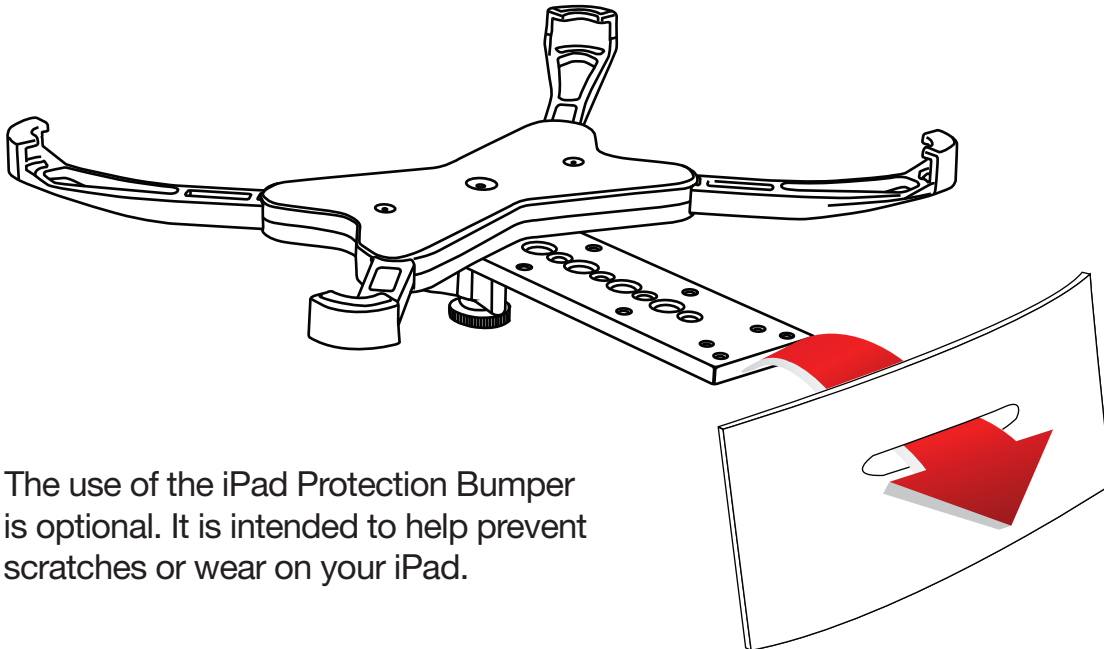
Elite Ipad Teleprompter Kit And Elite-Remote QUICKSTART GUIDE

GETTING STARTED

1. Loosen the thumb screw. Turn LBP-03 90° and tighten it.



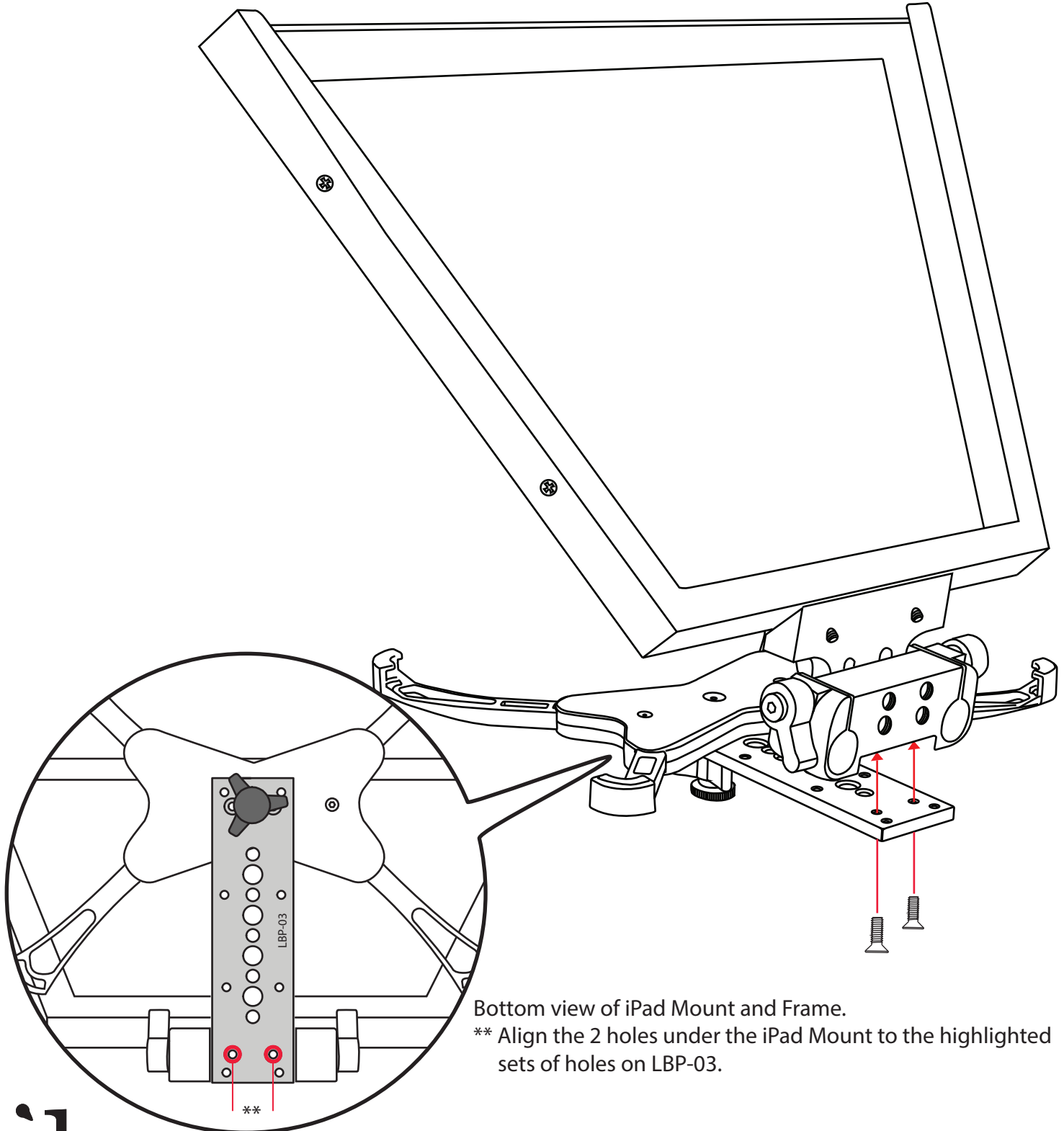
2. Slide the iPad Mount through the iPad Protection Bumper.



Note: The use of the iPad Protection Bumper is optional. It is intended to help prevent scratches or wear on your iPad.

Elite Ipad Teleprompter Kit And Elite-Remote QUICKSTART GUIDE

3. Fit Frame to iPad Mount. Secure with 2 x Socket Head Countersink Screw.

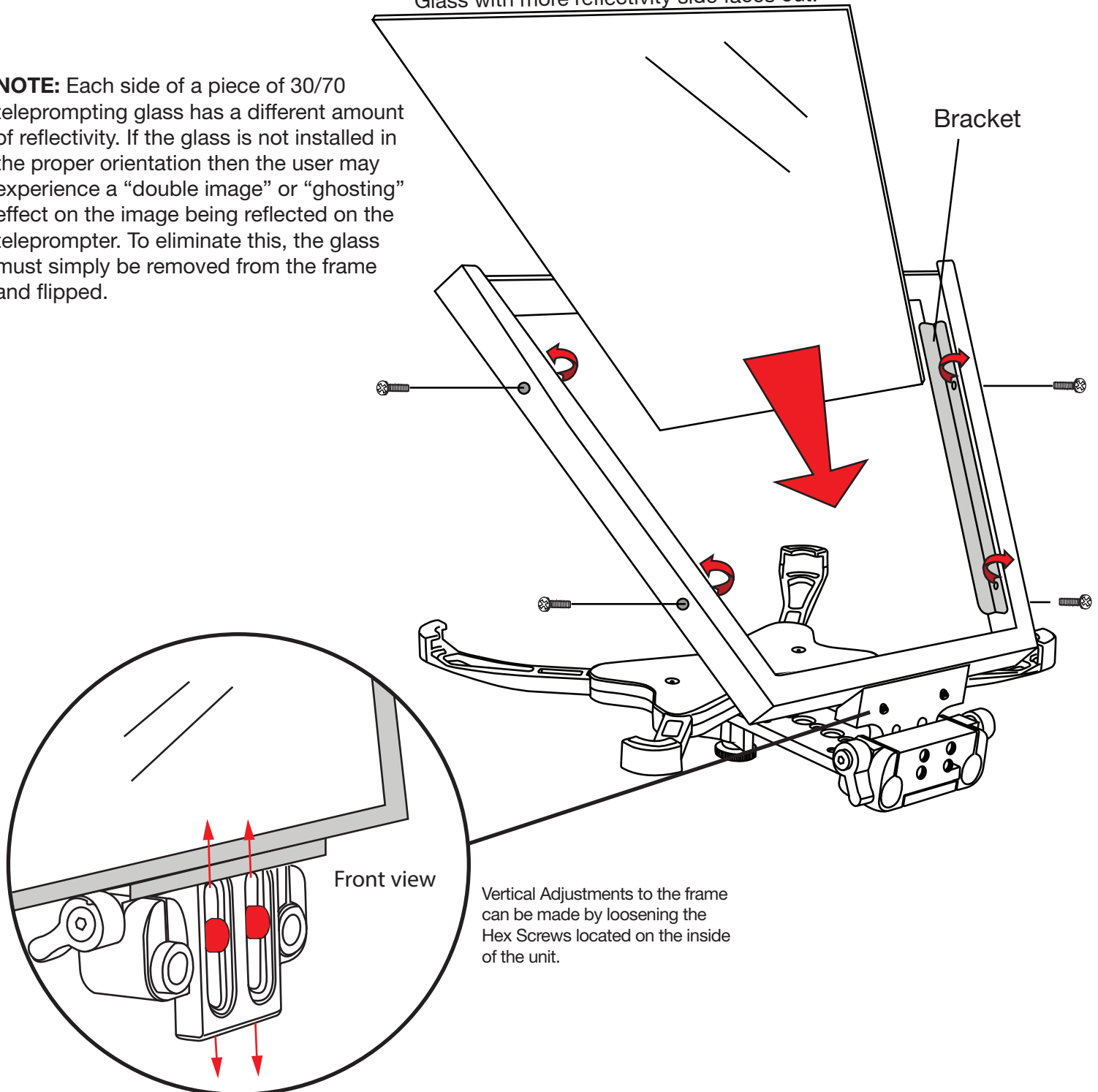


Elite Ipad Teleprompter Kit And Elite-Remote QUICKSTART GUIDE

4. Remove 4 x small frame screws and 2 x brackets. Insert prompter glass into frame. Secure prompter glass by replacing brackets and screws.

NOTE: Each side of a piece of 30/70 teleprompting glass has a different amount of reflectivity. If the glass is not installed in the proper orientation then the user may experience a “double image” or “ghosting” effect on the image being reflected on the teleprompter. To eliminate this, the glass must simply be removed from the frame and flipped.

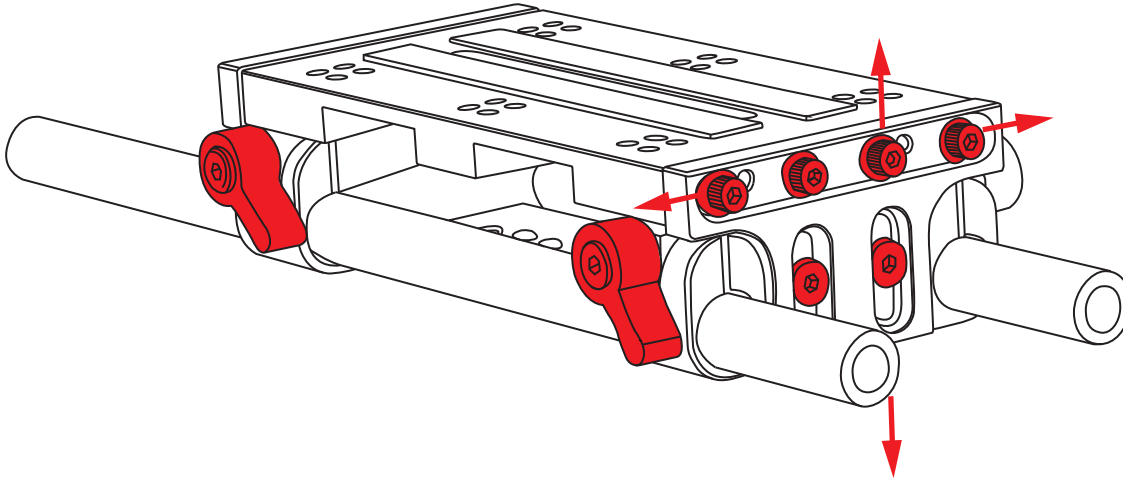
** Glass with more reflectivity side faces out.



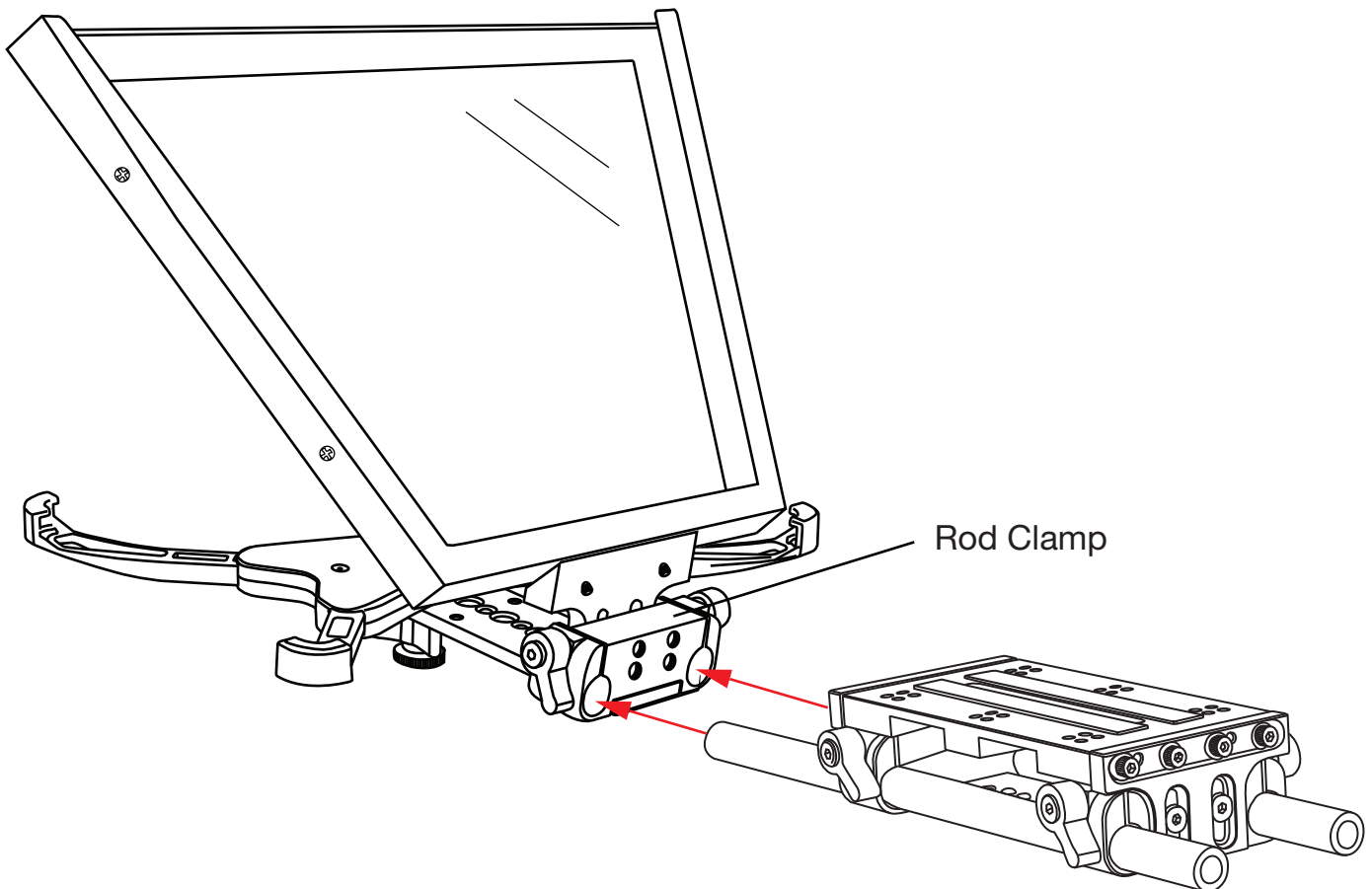
Elite Ipad Teleprompter Kit And Elite-Remote QUICKSTART GUIDE

ADJUSTMENT POINTS *(adjust to fit your camera size)*

Numerous Adjustment Points allow for precise positioning modifications. Loosen Thumb Screws to move forward/backwards along 12" Rods. Loosen Hex Screws to make vertical and horizontal adjustments.

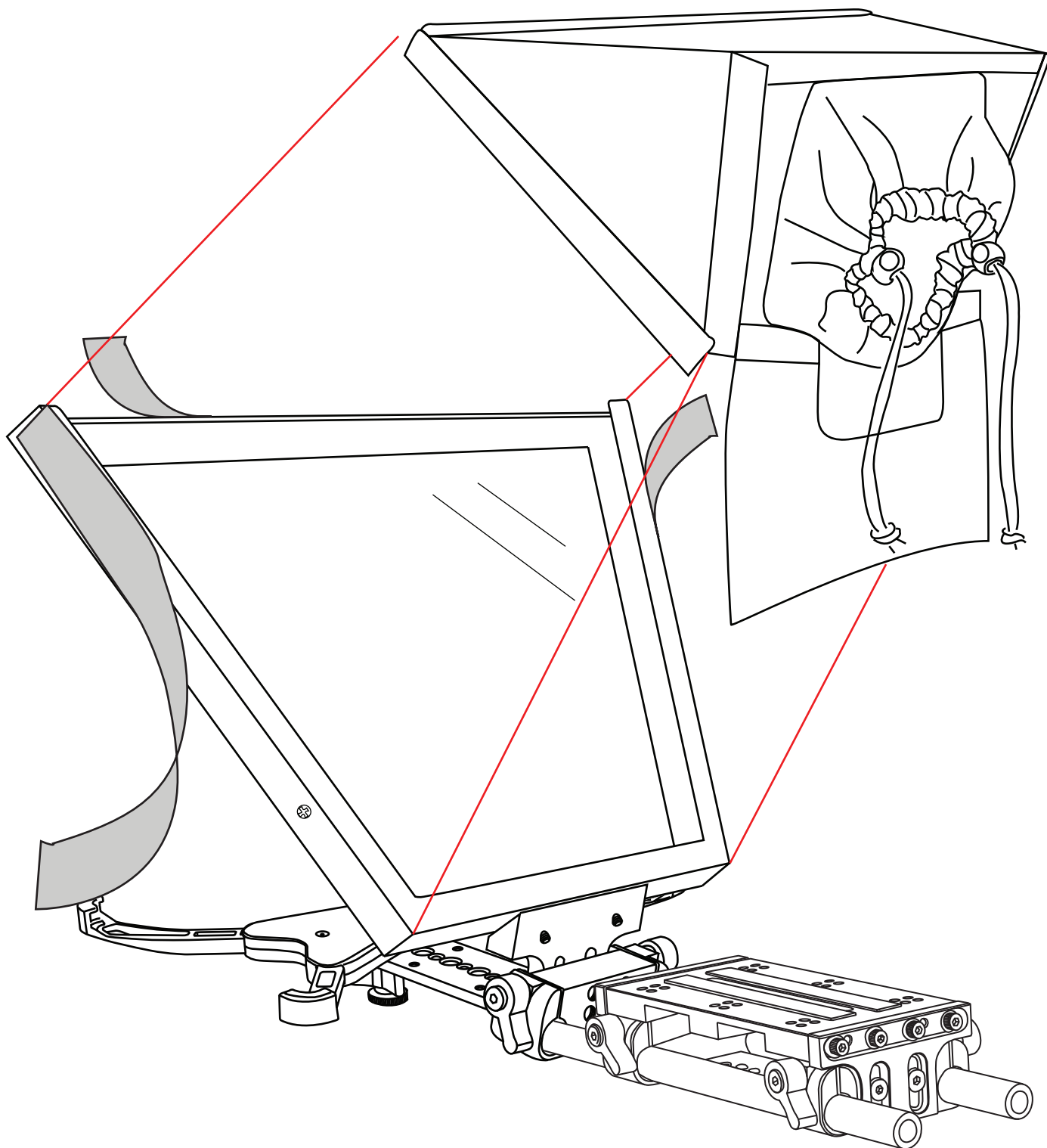


5. Secure Large Baseplate rods to Rod Clamp.



Elite Ipad Teleprompter Kit And Elite-Remote QUICKSTART GUIDE

6. Apply Velcro to Glass Frame border. Attach Hood.



Elite Ipad Teleprompter Kit And Elite-Remote QUICKSTART GUIDE

QUICK RELEASE MOUNTING OPTIONS

The ikan Large Baseplate is compatible with both the Canon TA100 and ikan-WDGL Tripod Adapter Systems. Simply mount your Quick Release Plate to the bottom of the Large Baseplate component on the appropriate end, using four (4) Socket Head Countersink Screws.

