



Note: iPad not included.

PT-Elite

Elite iPad Teleprompter Kit

QUICKSTART GUIDE

CONDITIONS OF WARRANTY SERVICE

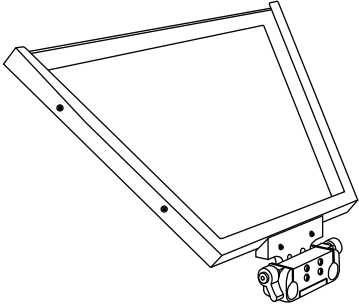
- Free service for one year from the day of purchase if the problem is caused by manufacturing errors.
- The components and maintenance service fee will be charged if the warranty period has expired.

Free Service will not be Provided in the Following Situations: (*Even if the product is still within the warranty period.)

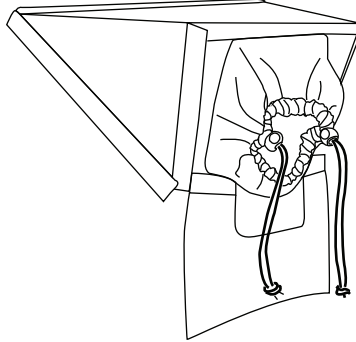
- Damage caused by abuse or misuse, dismantling, or changes to the product not made by the company.
- Damage caused by natural disaster, abnormal voltage, and environmental factors etc.

Elite iPad Teleprompter Kit QUICKSTART GUIDE

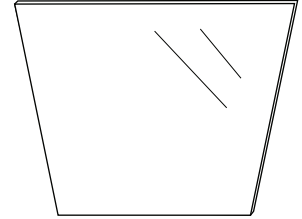
What's included



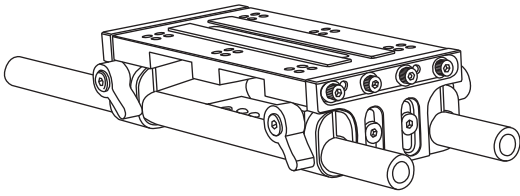
Glass Frame



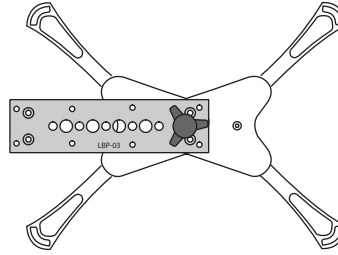
Hood



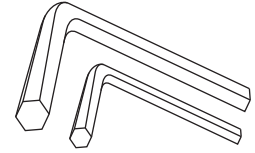
30/70 Prompter Glass



EV2 Adjustable Camcorder Baseplate (Large)



iPad Teleprompter Mount



1 x Hex Key 3mm
1 x Hex Key 2.5mm



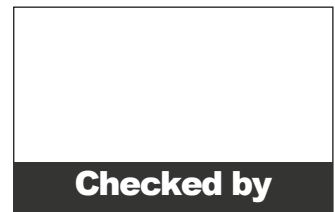
4 x Bumper



1 x D-Ring



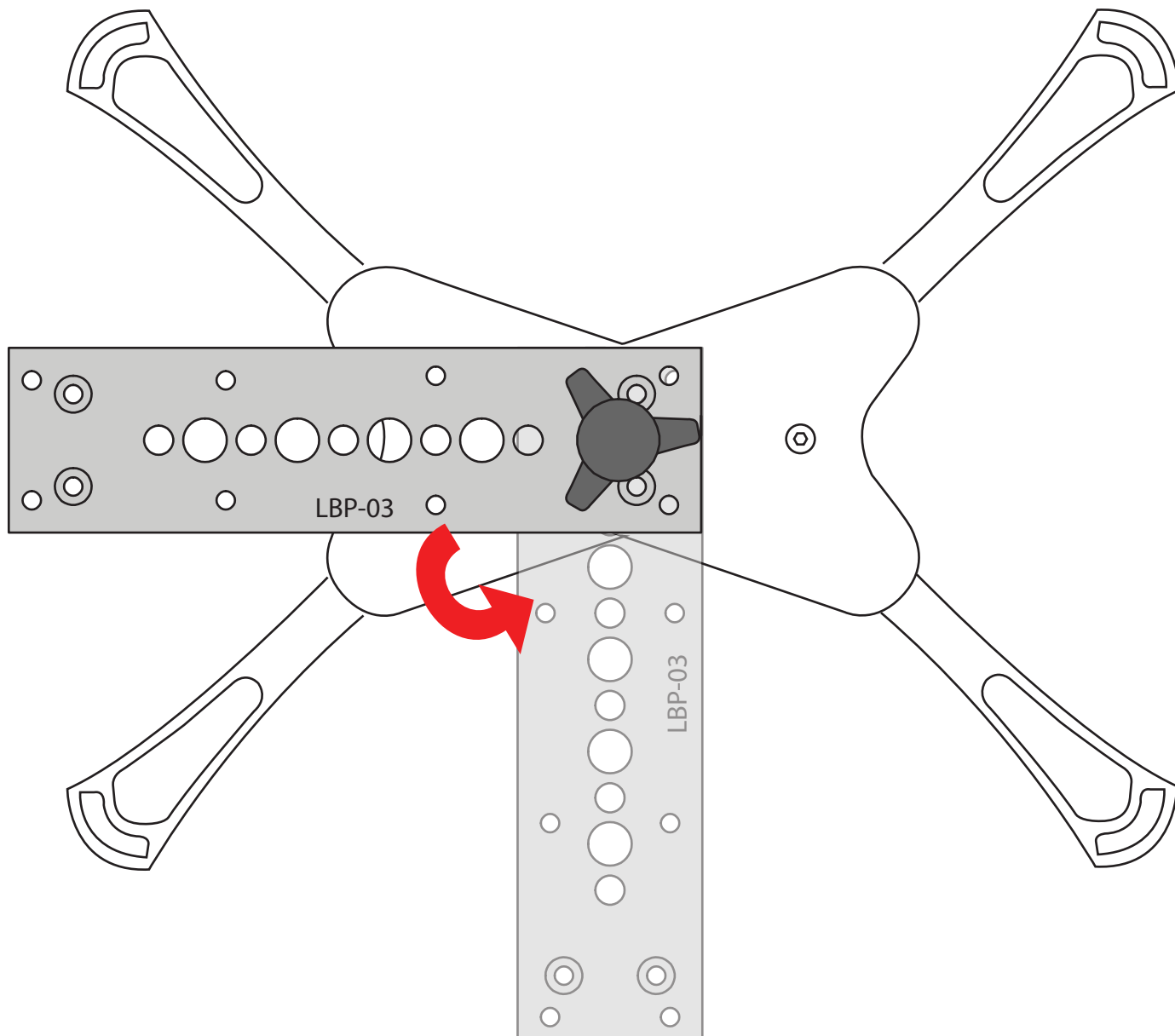
2 x 4mm X 12mm Socket Head Countersink Screw



Elite iPad Teleprompter Kit QUICKSTART GUIDE

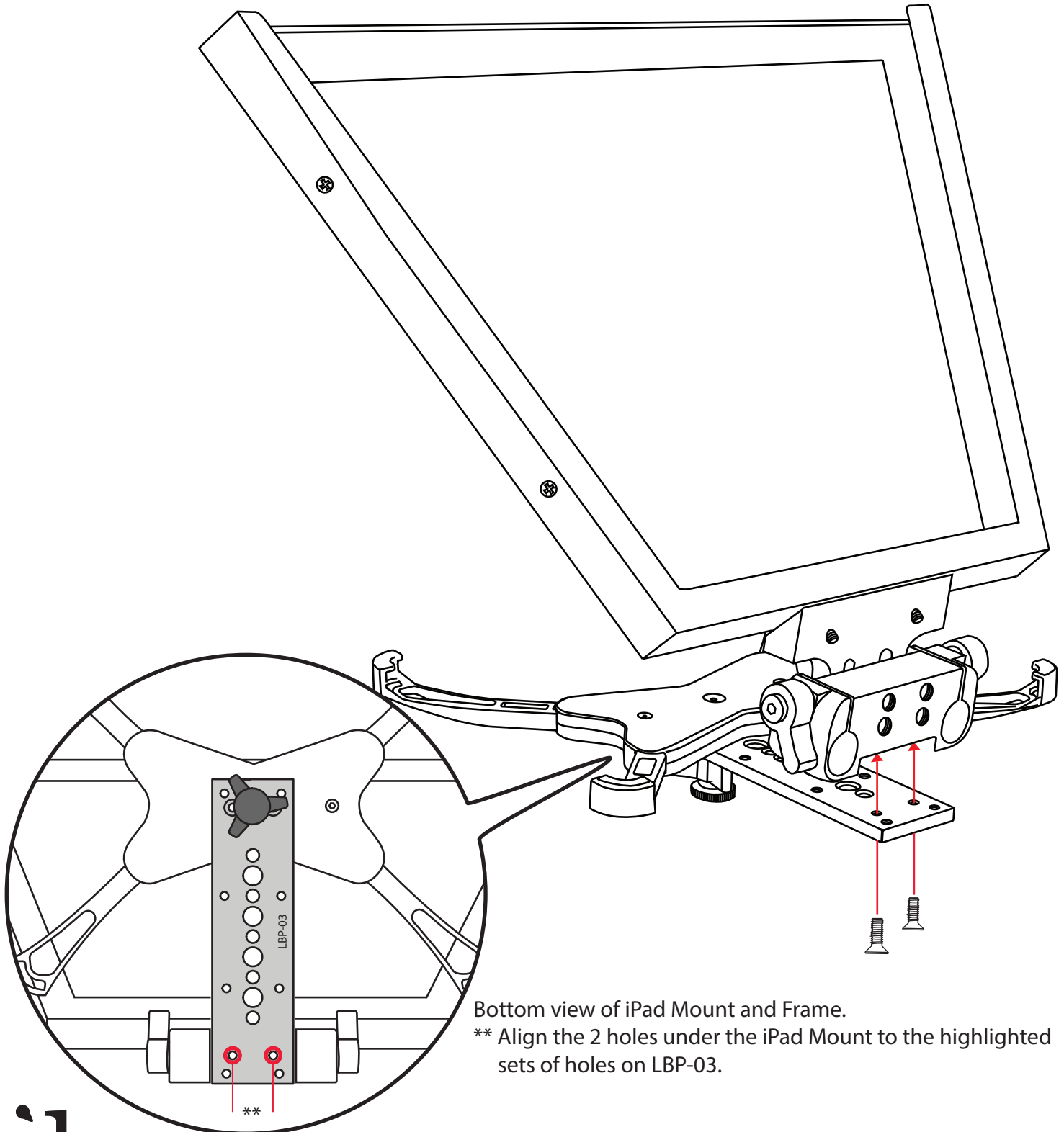
GETTING STARTED

1. Loosen the thumb screw. Turn LBP-03 90° and tighten it.



Elite iPad Teleprompter Kit QUICKSTART GUIDE

3. Fit Frame to iPad Mount. Secure with 2 x Socket Head Countersink Screw.

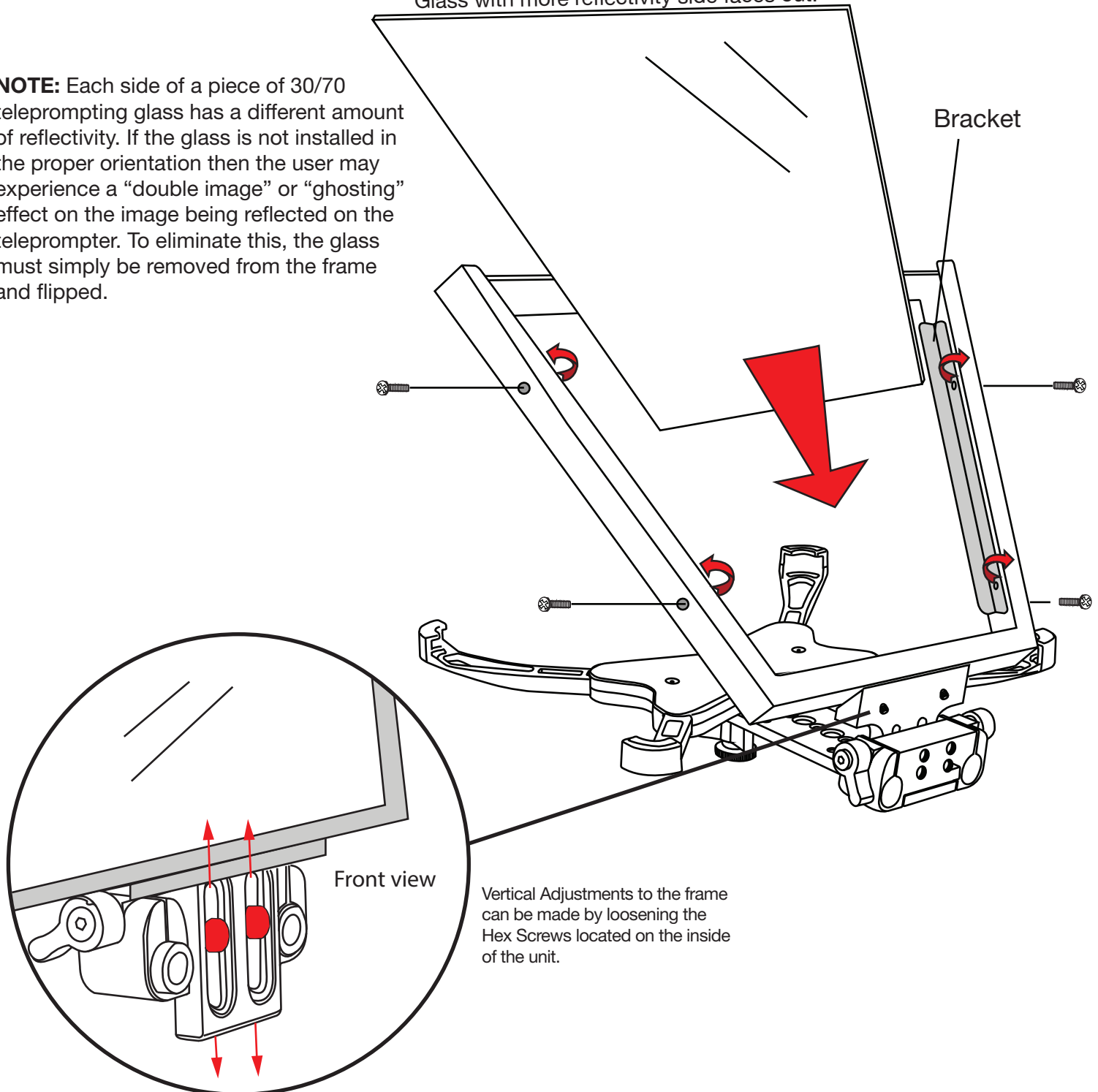


Elite iPad Teleprompter Kit QUICKSTART GUIDE

4. Remove 4 x small frame screws and 2 x brackets. Insert prompter glass into frame. Secure prompter glass by replacing brackets and screws.

NOTE: Each side of a piece of 30/70 teleprompting glass has a different amount of reflectivity. If the glass is not installed in the proper orientation then the user may experience a “double image” or “ghosting” effect on the image being reflected on the teleprompter. To eliminate this, the glass must simply be removed from the frame and flipped.

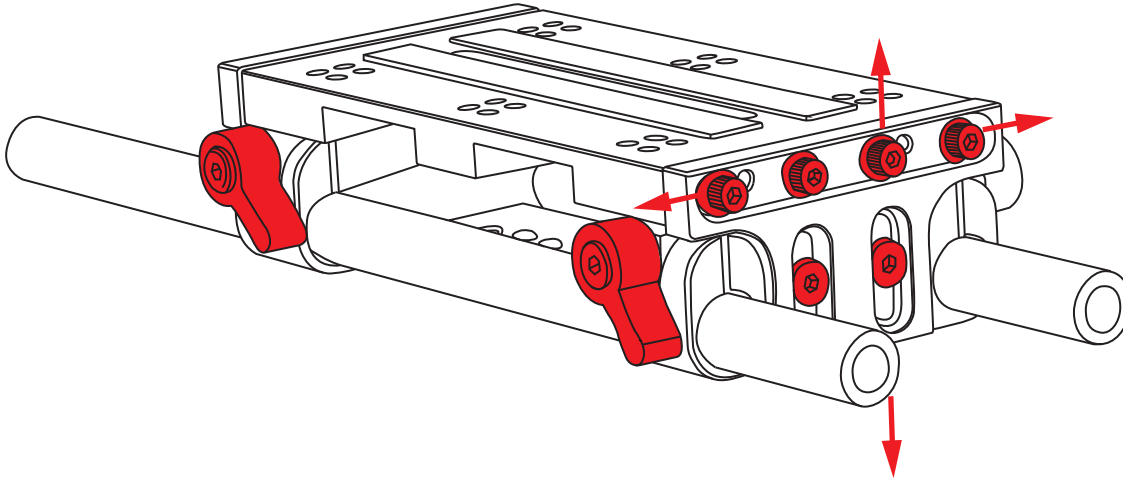
** Glass with more reflectivity side faces out.



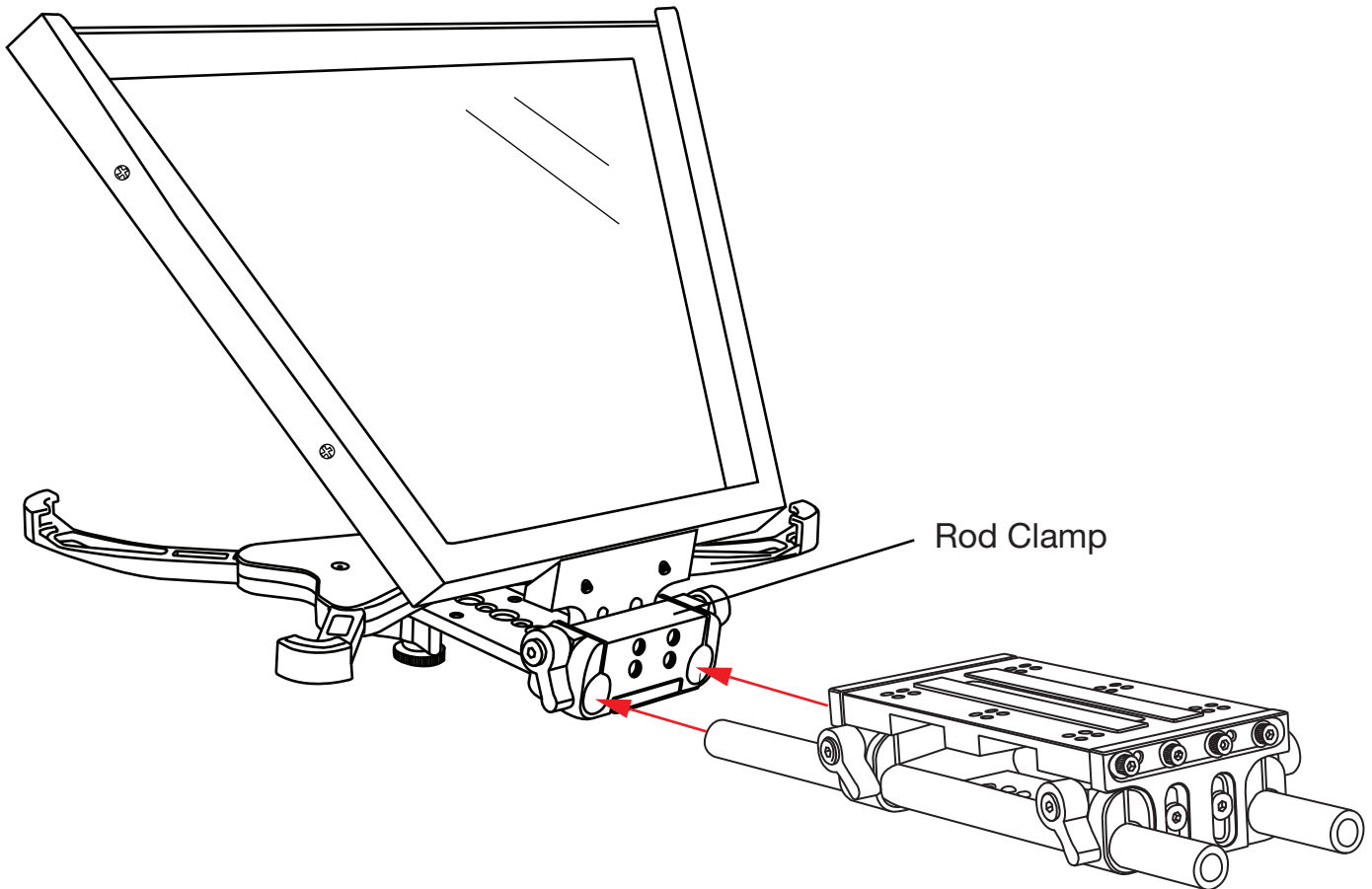
Elite iPad Teleprompter Kit QUICKSTART GUIDE

ADJUSTMENT POINTS *(adjust to fit your camera size)*

Numerous Adjustment Points allow for precise positioning modifications. Loosen Thumb Screws to move forward/backwards along 12" Rods. Loosen Hex Screws to make vertical and horizontal adjustments.

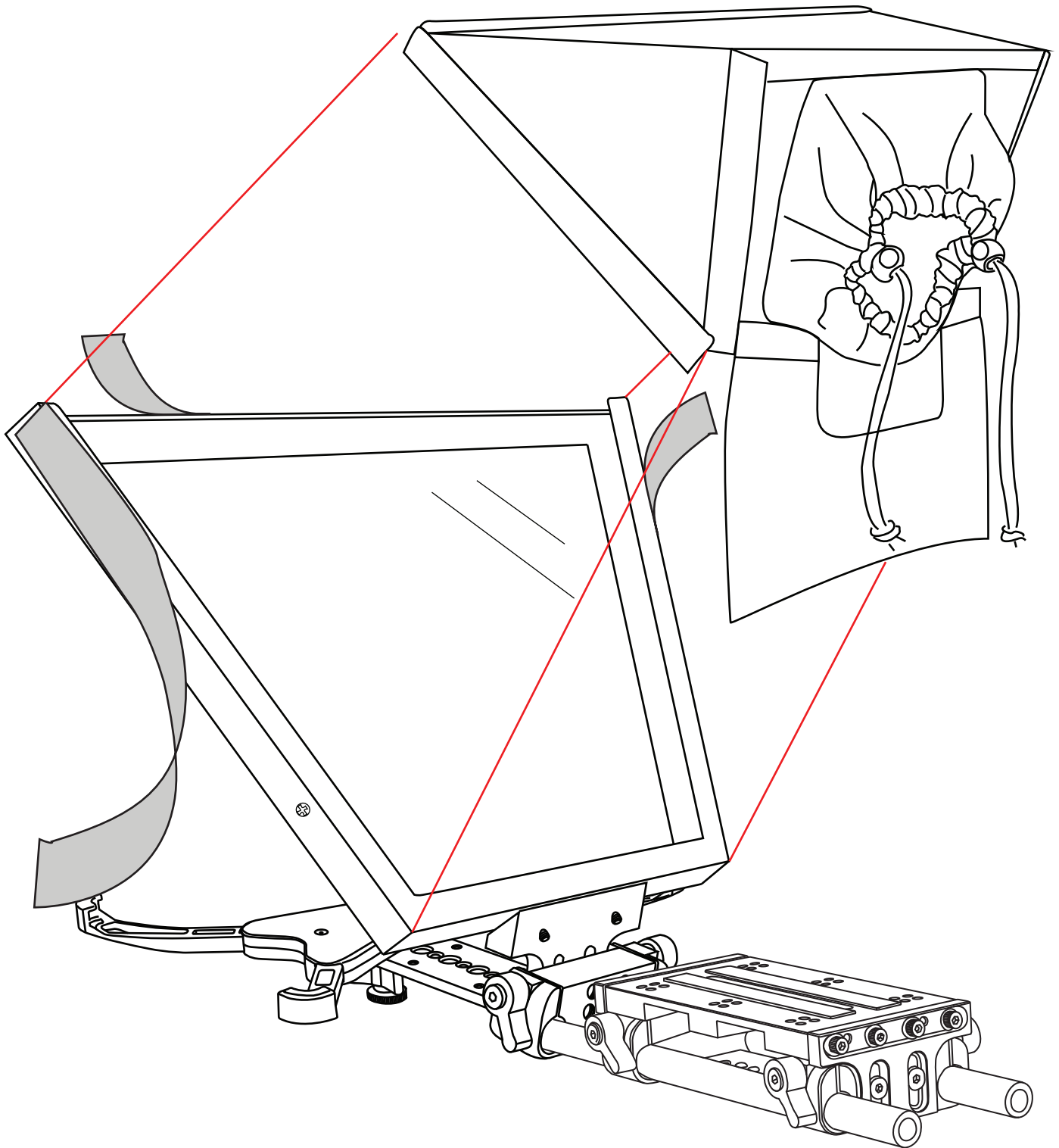


5. Secure Large Baseplate rods to Rod Clamp.



Elite iPad Teleprompter Kit QUICKSTART GUIDE

6. Apply Velcro to Glass Frame border. Attach Hood.



Elite iPad Teleprompter Kit QUICKSTART GUIDE

QUICK RELEASE MOUNTING OPTIONS

The ikan Large Baseplate is compatible with both the Canon TA100 and ikan-WDGL Tripod Adapter Systems. Simply mount your Quick Release Plate to the bottom of the Large Baseplate component on the appropriate end, using four (4) Socket Head Countersink Screws.

