

# PT-ELITE-LS-RC



## Elite Universal Tablet & iPad Teleprompter for Light Stand

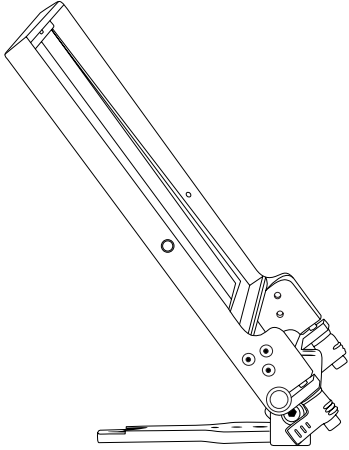


### What's Included

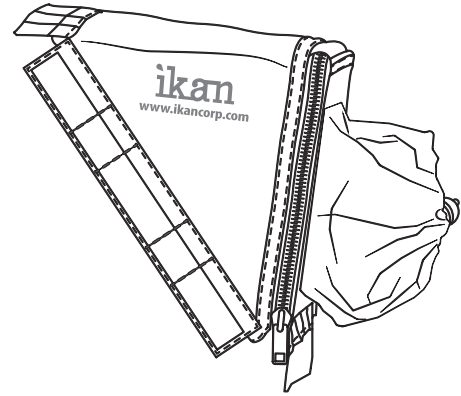
- 1 x Elite Remote
- 1 x Glass Frame Assembly
- 1 x Magnetic Hood
- 1 x Tablet Holder Extension
- 1 x Universal Tablet Holder
- 2 x D-Ring



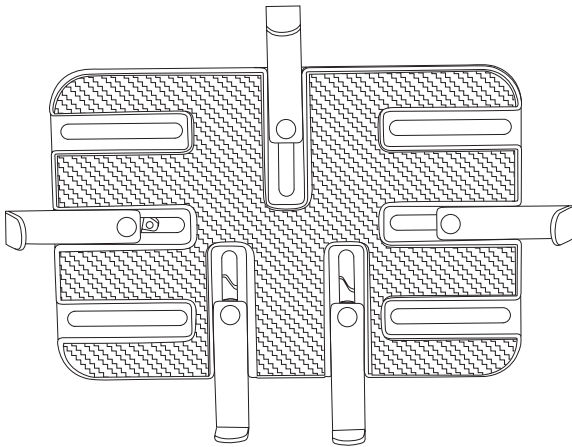
## What's Included



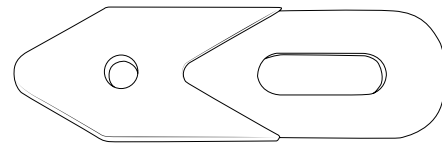
Glass Frame Assembly



Magnetic Sunhood



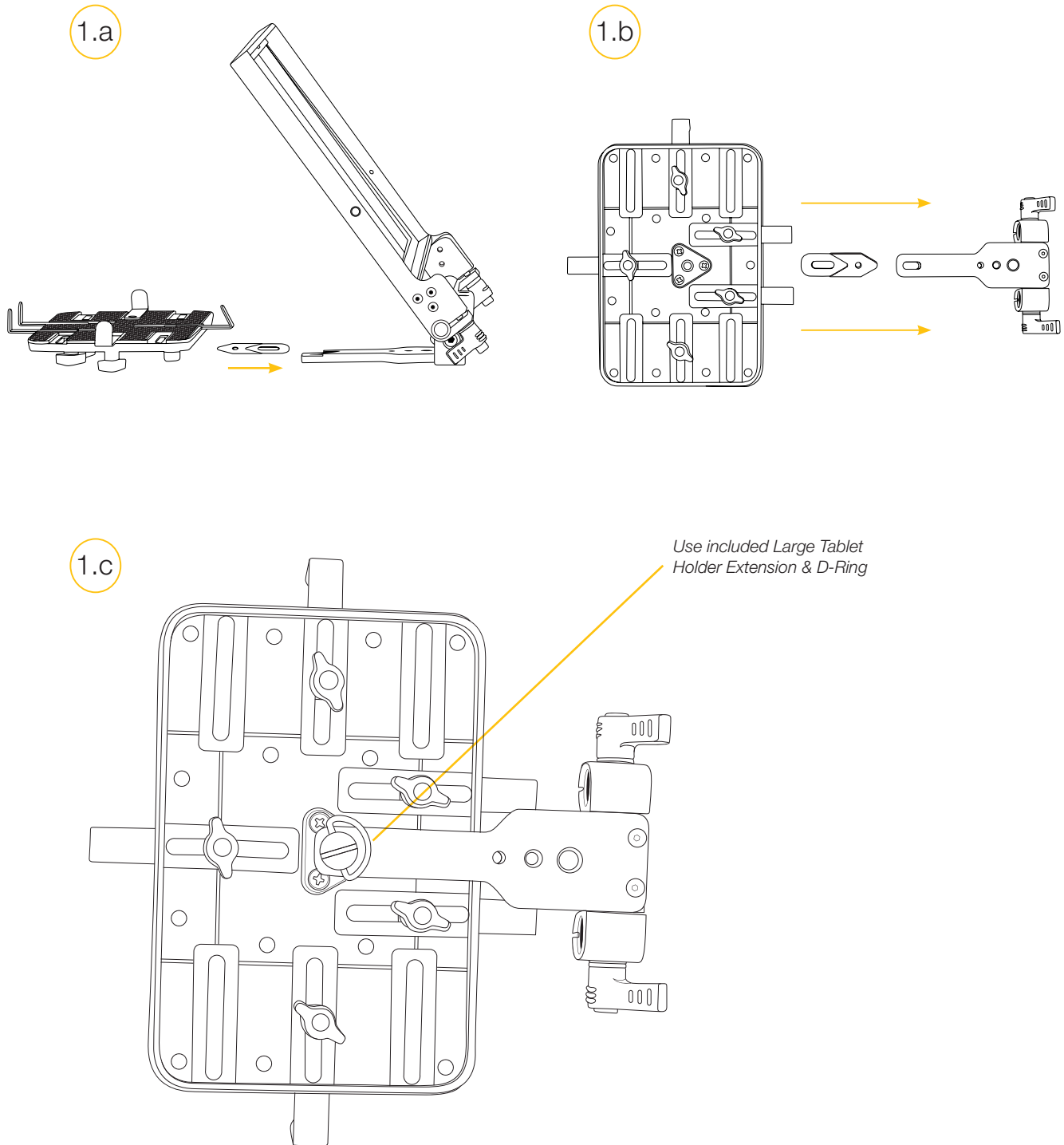
Tablet Holder



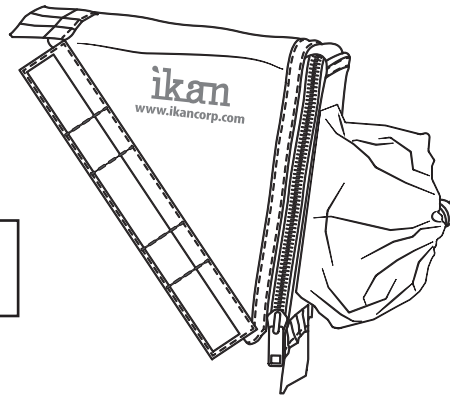
Large Tablet Holder Extension & D-Ring

## How to Assemble

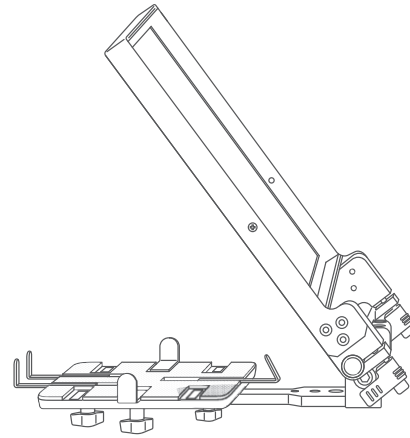
1. Attach tablet mount to glass frame assembly. Figures 1a, 1b, 1c.



Tighten & loosen thumb screws to adjust glass frame. Ideal angle is 45 degrees.  
 Attach magnetic hood to glass frame.



NOTE: Glass can be removed by unscrewing the three (3) screws around glass frame.



**DO NOT THROW AWAY FOAM INSERT.**

The PT-ELITE-LS-RC comes packaged in high quality custom-cut foam. It is sized perfectly to fit inside a waterproof case.

### Software Options

**Windows:** Choose from PrompterPro from Ikan, or from multiple third party options in the Windows Store or on the Web.

**iOS:** Download Ikan Elite Prompter App from App Store

**Android:** Choose from multiple 3rd party options on Google Play Store

### Specifications

Fixture Specifications	
Build Material	Aluminum / Steel
Dimensions	22 x 10.5 x 12 in.
Reading Range	20 ft
Shipping Dimensions	7 x 16 x 20 in.
Shipping Weight	10 lbs

### Optional Accessories

Some other products that work well with the PT-ELITE-LS-RC available from Ikan include:

**PT-CASE-ELITE** Rolling Hard Case for Teleprompters (PT-ELITE, PT1200)

## Learn More

More dynamic information at official website: [www.ikancorp.com](http://www.ikancorp.com)

## Support

Contact email: [support@ikancorp.com](mailto:support@ikancorp.com)

---

### CONDITIONS OF WARRANTY SERVICE

- Free service for one year from the day of purchase if the problem is caused by manufacturing errors.
- The components and maintenance service fee will be charged if the warranty period is expired.

#### **Free Service will not be Provided in the Following Situations:(\*Even if the product is still within the warranty period.)**

- Damage caused by abuse or misuse, dismantling, or changes to the product not made by the company.
- Damage caused by natural disaster, abnormal voltage, and environmental factors, etc.

©2018 ikan Corporation. All rights reserved