

OYC15-V2

ikan

Onyx Digital Color LED 1 x 2 Soft Light w/ Tuneable RGBWA Color Control (Version 2)



## What's Included

- 1 x OYC15-V2 Light Fixture
- 1 x Eggcrate
- 1 x Power supply
- 1 x Power cord
- 1 x Yoke

## General Information

Thank you for buying the Ikan Onyx Digital Color RGBWA LED Light. This fixture has been designed to perform reliably for years when the guidelines in this booklet are followed. Please read and understand the instructions in this manual carefully and thoroughly before attempting to operate this unit. These instructions contain important information regarding safety during use and maintenance.

Every fixture has been thoroughly tested. Carefully check the shipping carton for damage that may have occurred during shipping. If the carton appears to be damaged, carefully inspect your unit for damage and be sure all accessories necessary to operate the unit have arrived intact. In the event damage has been found or parts are missing, please contact our customer support team for further instructions. Please do not return this unit to your dealer without first contacting customer support at the number listed below. Please do not discard the shipping carton in the trash. Please recycle whenever possible.

## Safety Instructions

This fixture is an extremely sophisticated piece of electronic equipment. To guarantee a smooth operation, it is important to follow the guidelines in this manual. The manufacturer of this device will not accept responsibility for damages resulting from the misuse of this fixture due to the disregard of the information printed in this manual.

This device falls under PROTECTION CLASS 1. It's essential this device be grounded properly. Only qualified personnel should perform all electrical connections.

**\*WARNING\***

INDOOR USE ONLY!

DO NOT EXPOSE FIXTURE TO RAIN AND MOISTURE!

DO NOT PLUG FIXTURE INTO A DIMMER PACK!

NEVER OPEN THIS FIXTURE WHILE IN USE!

**\*WARNING\***

For proper operation, follow the Installation guidelines described in this manual. Only qualified and certified personnel should perform installation of this fixture and only the original rigging parts (yoke) included with this fixture should be used for installation. Any modifications will void the original manufacturer's warranty and increase the risk of damage and/or personal injury.

Never look directly into the light source of this fixture to prevent risk of injury to your retina, which may induce blindness.

Always disconnect from main power source before performing any type of service and/or cleaning procedure. Only handle the power supply by the plug end, never pull out the plug by tugging the wire portion of the cord.

Do not operate this fixture if the power cord has become frayed, crimped and/or damaged. If the power cord is damaged, replace it immediately with a new one of similar power rating.



## General Guidelines

Please make sure there are NO FLAMMABLE MATERIALS close to the fixture while operating, to prevent any fire hazard.

This fixture will heat up due to the fact that the heatsink for the light is the aluminum shell.

The fixture must be installed in a location with adequate ventilation, at least 1.5 feet (.5m) from adjacent surfaces. Be sure no air ventilation slots are blocked.

The fixture is equipped with a fan for cooling it is advisable to run the fan when the light is on for any period of time.

This fixture will run for up to 1 hour before the light will overheat and shut down. The circuit breaker will engage and must be reset before the light can be re-energized and used again. (Note: Cooling down times may vary)

DO NOT attempt installation and/or operation without knowledge of how to do so.

DO NOT permit operation by persons who are not qualified to operate this type of fixture. Most damages are the result of operations by nonprofessionals.

Consistent operational breaks may ensure the fixture will function properly for many years to come.

DO NOT shake fixture and avoid using brute force when installing and/or operating the fixture.

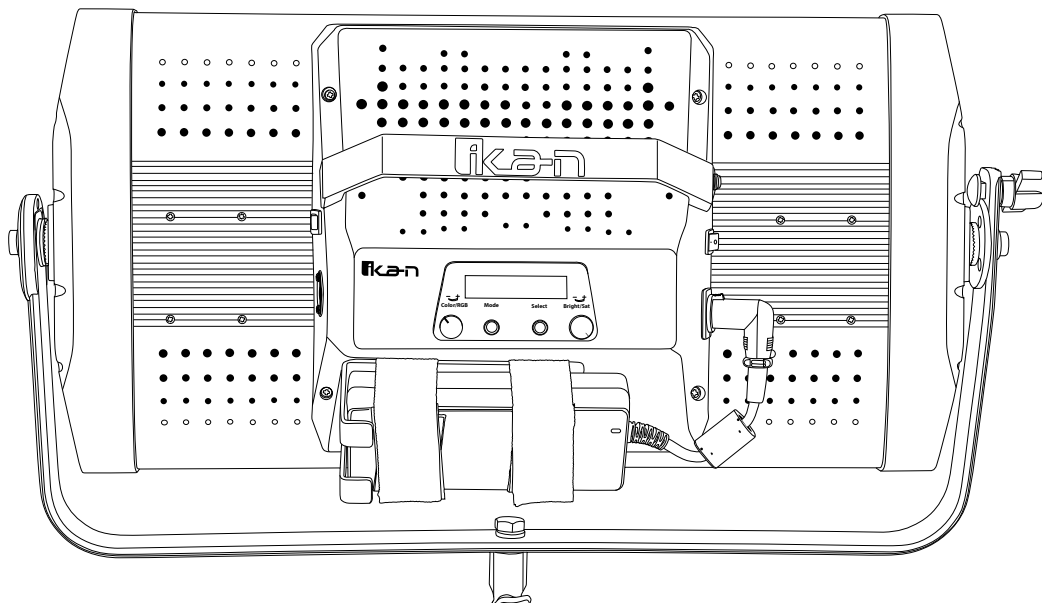
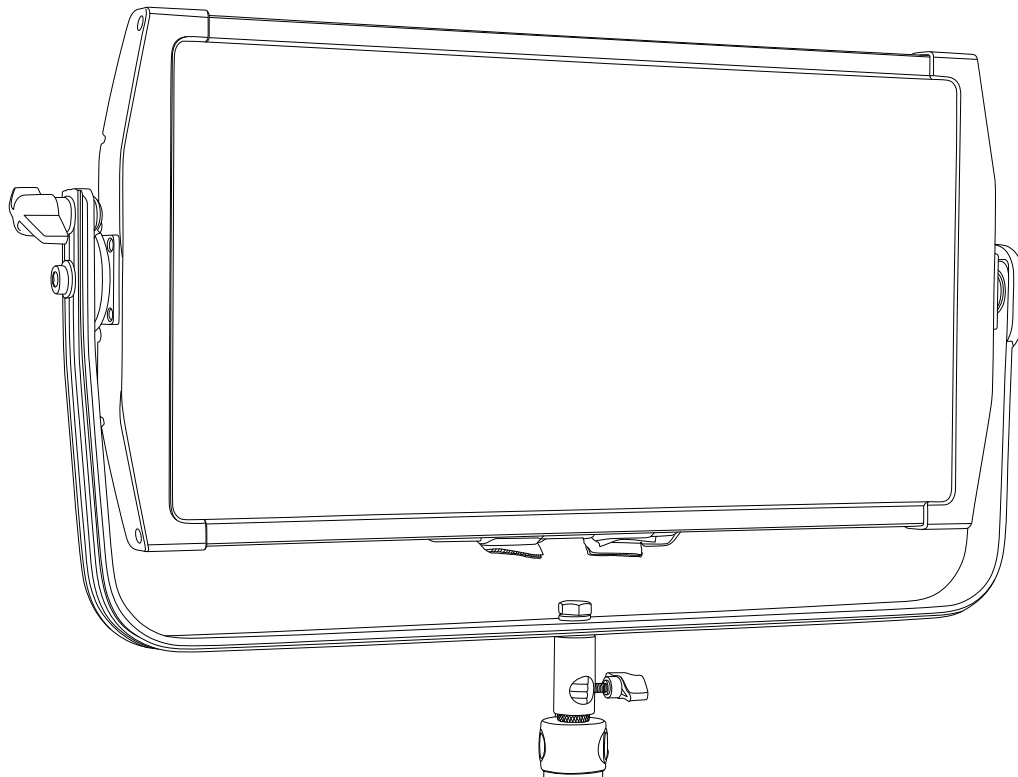
Always install the fixture with an appropriate safety cable. When installing the fixture in a suspended environment, always use correct mounting hardware that can be inserted into the 5/8" receiver.

Use the original packaging and materials to transport the fixture in for service.

This Fixture will heat up due to the fact that the heatsink is the aluminum body.



## Fixture Overview



# Fixture Menu

## Local-Control Function Menu

The fixture comes with an easy to navigate system menu. The next section will detail the functions of each control on the back of the light.

### MODE BUTTON

The mode button allows the user to select the different activity modes in the fixture. The modes that can be chosen are CCT, CCT Hue Shift, RGB, Gel, SFX, Wireless Setup (future expansion). The mode button is a selector button each time it's engaged it will move to the next mode.

### SELECT BUTTON

The select button allows the user to activate the specific mode that is chosen. The select button also allows for selection of the activity that the user wants to engage.

### COLOR/RGB CONTROL KNOB

The control knob allows for local control over the color choice in the RGB mode. It also allows for adjustment when choosing how much of each color is selected. All OYC15 lights are RGBWA fixtures, this allows the user to adjust the CCT, HSI, RGB, Hue Shift control. It gives the user the ability to switch from 2800K-10,000K by scrolling through the color temperatures.

### BRIGHT/SATURATION KNOB

The Control Knob allows for local control over the brightness of the light. It also controls the Saturation of color from 0-100%.

## Menu-System Functions

### CCT Mode

The Correlated Color Temperature mode allows the user to choose what color temperature they desire to work with. The CCT gives the user the ability to choose a color temperature between 2800K (warm white) up to 10,000K (blue white). The CCT can be scrolled through using the Color/RGB knob. The desired color temp is selected using the select button.

### CCT Hue Shift

The CCT Hue shift mode allows the user to add either green or magenta to the color temperature that they desire. The +green/-magenta is added in 0-100% increments. The CCT must be chosen from the CCT mode menu before moving over to the CCT Hue Shift and the desired amount of green or magenta is added. To add the desired amount of green or magenta simple inspect the background lighting and start the hue shift percentage at 0%. Adding more green+ or more magenta- will give you the desired color match based on your specific situation.

### RGB Mode

The RGB mode allows for the user to control the Red, Green, or Blue from 0-255. Using the Color/RGB knob allows the user to scroll through the colors in the varying degrees. By pressing the Color/RGB knob the user can access the Red, Green, and Blue individually in 0-255 increments. Press select to confirm number brightness.

Note: the brightness output is at 100% and cannot be reduced in RGB Mode.

### GEL Mode

The gel mode allows the user to activate the gel of their choice, and to control the saturation of the gel. There are 33 different gels to choose from in gel mode. The Saturation is full when at 000%. Saturation is at its lowest when at 100%.

**Gel List:** Bastard Amber, Medium Bastard Amber, Golden Amber, Soft Golden Amber, Pale Apricot, Rose Gold, Flesh Pink, Salmon Pink, Pale Rose Pink, Surprise Pink, Steel Blue, Booster Blue, Sky Blue, Brilliant Blue, Light Green Blue, Bright Blue, Hamburg Lavender, Daylight Blue, Medium Yellow, Straw, Fire, Flame, Light Red, Medium Red, Light Rose, Rose, Lilac, Lavender, Pea Green, Pale Yellow Green, Moss Green, Gaslight Green, Chroma Green.

### SFX Mode

The Special effects mode allows the user to choose different preprogrammed effects to create different looks for the scene.

Effects included: Police, Lighting, TV Flicker, Candle, Scene Yellow, Scene Blue, Scene Green, and Scene Pink.

### Wireless Setup

### Future Expansion

# Fixture Menu

## CAUTION

Disconnect power before cleaning or maintenance.

## CLEANING

Frequent cleaning is recommended to insure proper function, optimized light output, and an extended life. The frequency of cleaning depends on the environment in which the fixture operates: damp, smoky, or particularly dirty environments can cause greater accumulation of dirt on the fixture. Never use alcohol, solvents, or ammonia-based cleaners

## MAINTENANCE

Regular inspections are recommended to insure proper function and extended life. There are no user serviceable parts inside this fixture. Please refer all other service issues to an authorized ikan service technician. Should you need any spare parts, please order genuine parts from your local ikan dealer.

### Please refer to the following points during routine inspections:

- Be sure all screws and fasteners are securely tightened at all times. Loose screws may fall out during normal operation resulting in damage or injury as larger parts could fall.
- Check for any deformations on the housing, rigging hardware and rigging points (ceiling, suspension, trussing). Deformations in the housing could allow for dust to enter into the fixture. Damaged rigging points or unsecured rigging could cause the fixture to fall and seriously injure a person(s).
- Electric power supplies and cables must not show any damage or fraying. Never remove the ground prong from the power cable.

# Specifications

## OYC15-V2

Light Source	RGBWA LED's
Head Type	RGB User Controlled Soft Light
Lens	1/2-stop Soft Diffusion
Beam Angle	120 degrees
Color Temperature	2800K - 10,000K
Control/Dimming	Local Knob Control
Build Material	Aluminum Shell
Cooling System	Active Cooling
Yoke	5/8" Receiver Aluminum Frame
Fixture Size	27 x 18 x 7 in.
Fixture Weight	11 lbs
Shipping Dimensions	30 x 20 x 12 in.
Shipping Weight	14 lbs

# Optional Accessories

Some other products that work well with this item available from Ikan include:

- CP-STND-V3** Compact Light Stand
- HD-STND-V2** Heavy Duty Light Stand
- IOC-1053** Light Mounting Accessory Baby 5/8" / Junior 1 1/8" (TVMP)
- IBG-SB15** Saddle Sandbag & Weight Bag - 15 lbs

## Learn More

More dynamic information at official website: [www.ikancorp.com](http://www.ikancorp.com)

## Support

Contact email: [support@ikancorp.com](mailto:support@ikancorp.com)

---

### CONDITIONS OF WARRANTY SERVICE

- Free service for one year from the day of purchase if the problem is caused by manufacturing errors.
- The components and maintenance service fee will be charged if the warranty period is expired.

#### **Free Service will not be Provided in the Following Situations:(\*Even if the product is still within the warranty period.)**

- Damage caused by abuse or misuse, dismantling, or changes to the product not made by the company.
- Damage caused by natural disaster, abnormal voltage, and environmental factors, etc.

©2022 Ikan International. All rights reserved.

