
● What's Included

- 1 x OYB10 Light Fixture
- 1 x Power Adapter
- 1 x Power Cord
- 1 x Barn Door
- 1 x Yoke
- 1 x Light Bag

● Safety Instructions

1. When using the light, check that the environment is dry and well-ventilated.
2. Do not expose the fixture to rain or moisture.
3. The voltage should not exceed the recommended values.
4. Do not look directly at the light bulbs with naked eyes when the light is on.
5. Do not place the light near flammable or volatile solvents such as alcohol or gasoline.
6. Please disconnect the power if the light not used for an extended period of time
7. If the light fixture is not working normally, please contact Ikan. The product should be only be repaired by a qualified technician.

Please do not disassemble/re-assemble.

ONYX Series LED User Guide



OYB15

● Product Information

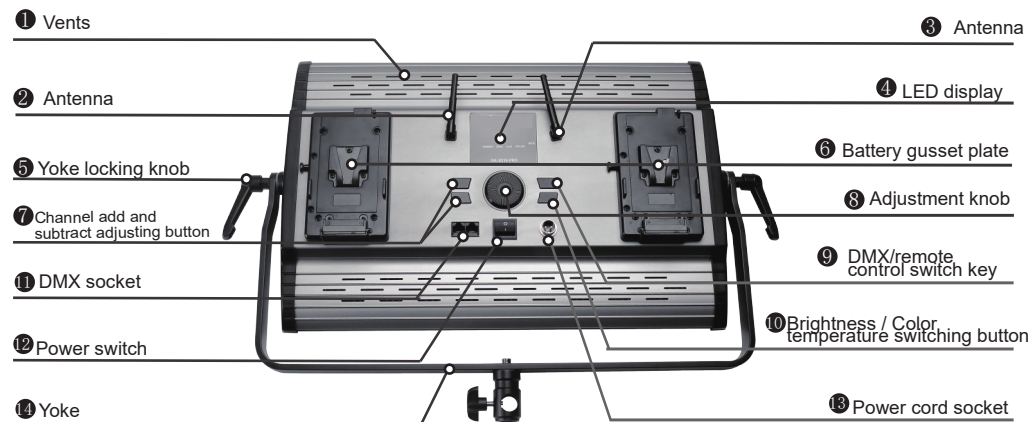
Thank you for buying the Onyx 15 Bi-Color Aluminum LED Light from Ikan. Please carefully read the guide before operating the product.

The Onyx 2 x 1 Bi-Color Aluminum LED light is fitted with 2016 high quality LED lights. The aviation grade aluminum panel design allows for better heat ventilation. The OYB15 provides a flicker-free experience when adjusting the brightness (10%-99%) and color temperature (3200K-5600K). The OYB15 can be controlled remotely with either the included remote control or DMX via the Ethernet port. Having the option of being powered either by the power adapter or two V-Mount Pro batteries, the OYB15 can meet both your studio or on the field needs.

● Specifications

Model	OYB15
Output Power	60W
Luminous Flux	7200 LM
LED Quantity	2016
Color Temperature	3200K - 5600K
Color Rendering Index	≥ 95
Dimmer	10% - 99%
Remote Control	99 Channels 2.4G Wireless Remote Control
Remote Control Distance	150 feet
DMX512	Yes (Ethernet Interface)
Battery Type	V-Mount Pro Batteries
DC Power Input	DC13-19V
Fixture Size	22 x 16 x 1.75 in.
Fixture Weight	7.5 lbs

● Overview



- 1 Vents
- 2 Antenna
- 3 Antenna
- 4 LED display
- 5 Yoke locking knob
- 6 Battery gusset plate
- 7 Channel add and subtract adjusting button
Used to adjusted (increase or decrease) DMX and wireless remote control.
- 8 Adjustment knob
Adjusts dimming (increase or decrease) percentage or color temperature.
- 9 DMX/remote control switch key
When the "DMX" corresponding indicator light is on only DMX controller can be controlled.
When the "2.4G" corresponding indicator light is on either the 2.4 G remote control or manual control can be used.
- 10 Brightness / Color temperature switching button
Press "DIMMER/COLOR", when the "DIMMER" light is on, the adjustment knob increases or decreases the brightness.
When the "COLOR" light is on, the adjustment knob increases or decreases the color temperature.
- 11 DMX socket
RJ45 interface connection, can support the DMX512 protocol.
- 12 Power switch
- 13 Power cord socket
- 14 Yoke