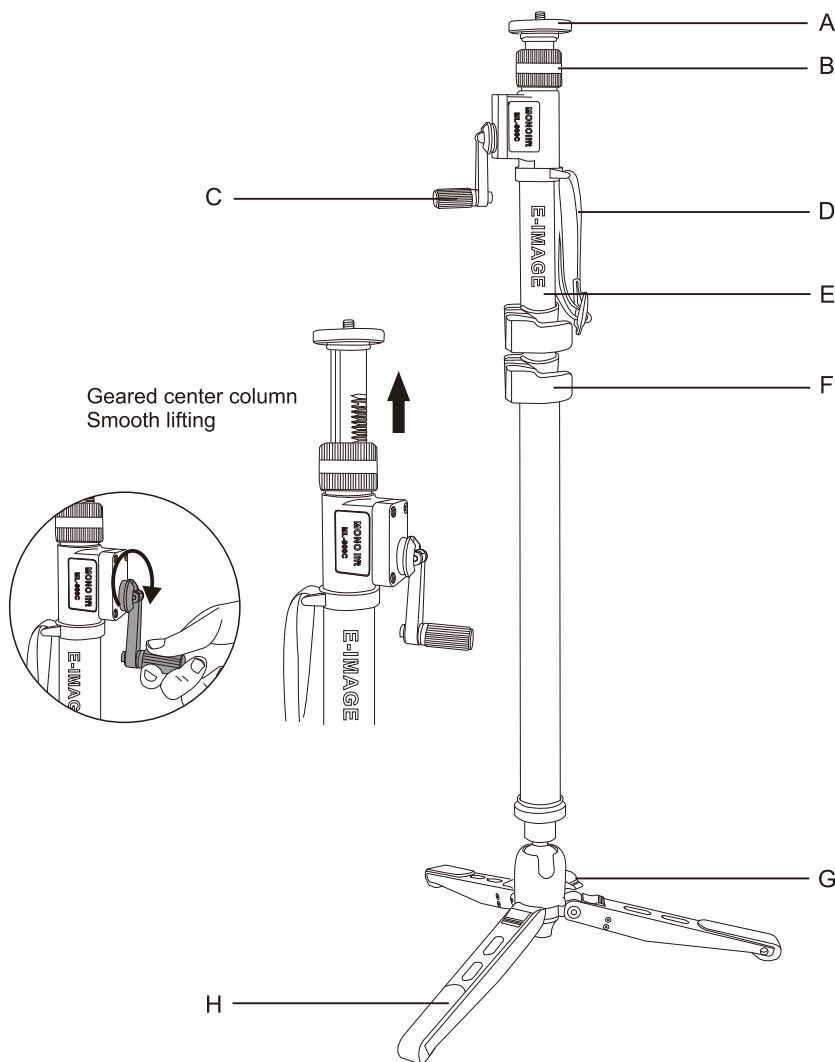




E-IMAGE Fluid Monolift Instruction

Description

E-IMAGE ML-900C new designed monopod with geared center column is extremely solid and wobble free. Geared center column provides extra height if you need to get your camera high up, it can be used on moving shooting and other events, which is easier to use than hand-head. It integrates the monopod, sticks and low profile tripod into one. Easy to get functions switching and it is a great choice for travel and outdoor shooting.



ML-900C

- A: Bearing plate for fluid head
- B: Rotation locking knob
- C: Gear elevator handle
- D: Wrist strap
- E: Monopod sponge cover
- F: Flip lock
- G: Wing locking knob
- H: Aluminium leg support

Specifications

Model No.	ML-900C
Material	Carbon fiber
Max.Height	185cm/72.8in
Payload	10kg/22.0lb
Net Weight	1660g/3.7lb
Folded Height	81cm/31.2in

Contact Information

NINGBO EIMAGE STUDIO EQUIPMENT CO., LTD

Add: NO.373 South Hangyong Road, Luotuo Industry Zone, Zhenhai, Ningbo, China 315202

Tel: +86-574-55681753/55681675 Fax: +86-574-86590078

E-mail: sales@eimagevideo.com

Visit www.eimagevideo.com for more information

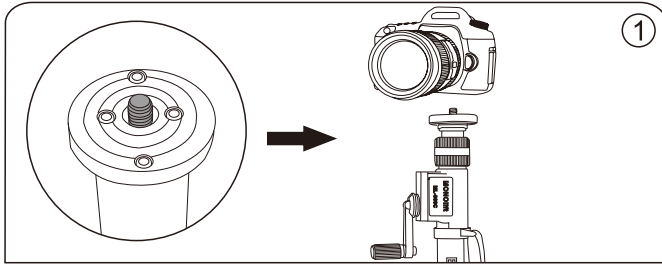


EIMAGE official QR code

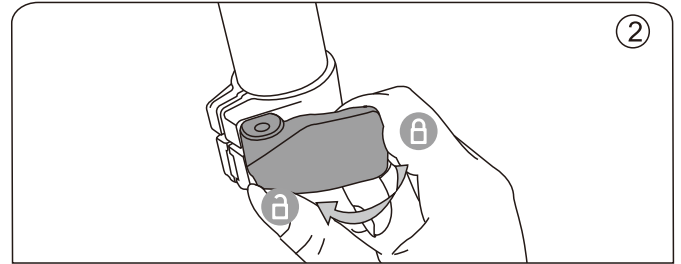


E-IMAGE Fluid Monolift Instruction

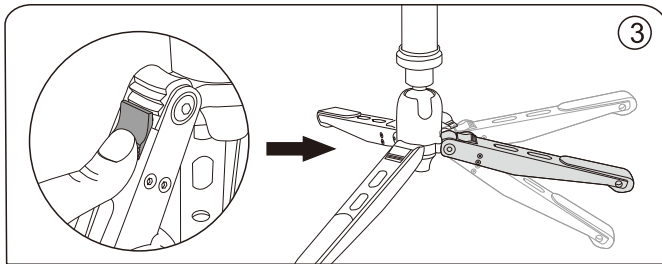
Instructions



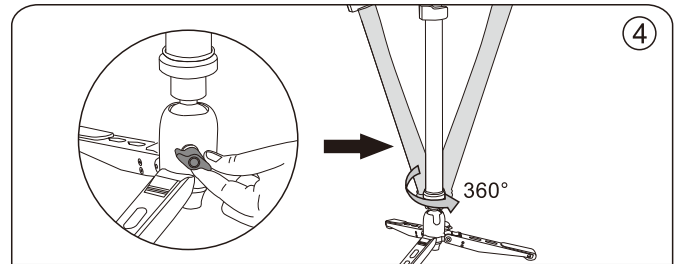
1. Camera can be attached to the monopod directly.



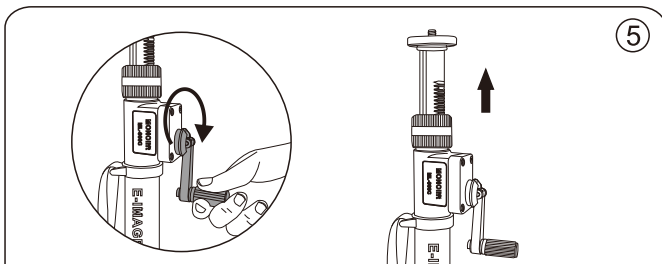
2. Open the flip locking to expand or collapse monopod tube.



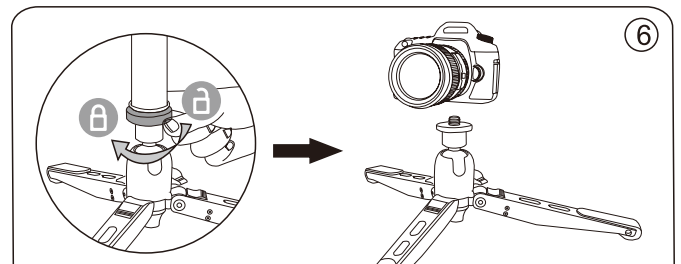
3. Push the block to adjust the mini leg angle.



4. Loose the Wing locking knob, the monopod can swivel 360° and be tilted in any direction.

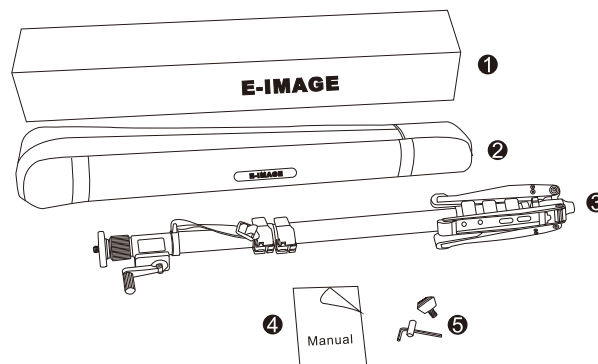


5. Geared center column provides extra height if you need to get your camera high up, it can be used on moving shooting and other events, which is easier to use than hand-head.



6. Loose the bottom base of monopod to remove the monopod, the mini leg can be acted as a mini tripod, make low angle shooting.

In the box



- ① Gift box
- ② Carry bag
- ③ Monolift
- ④ User manual
- ⑤ Wrench
- ⑥ Replaceable rubber foot