

## INTRODUCTION

Thank you for purchasing the ikan ID 400. LED Light Box is extremely easy to use and will quickly become an integral part of your production kit. For more information on this and many other innovative ikan products, please visit our website: [www.ikancorp.com](http://www.ikancorp.com).

## PACKAGE INCLUDES

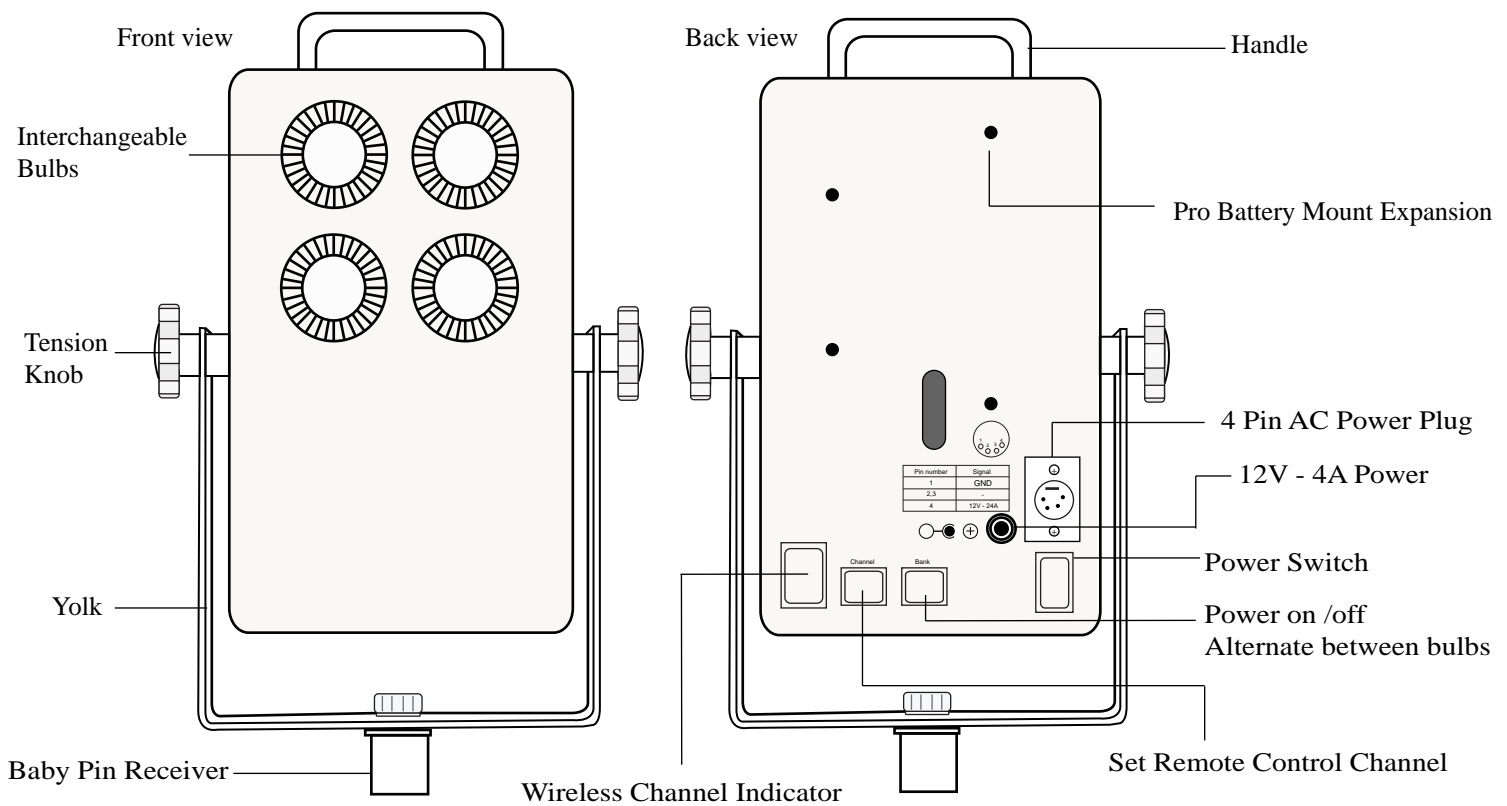
- ☐ Light Unit
- ☐ AC Power Adapter
- ☐ Remote Control
- ☐ W05-60 4 Bulbs Tungsten Flood



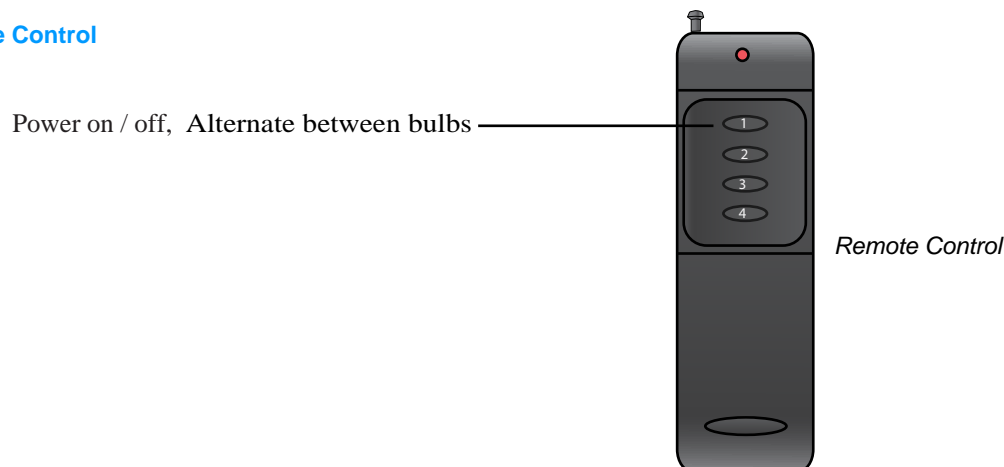
## GETTING STARTED

1. The ID 400 can be powered by the included AC adapter.
2. Power on the light using the main power switch
3. Control the amount of light with the bank switch.

## ID 400 Box DIAGRAMS



## Remote Control

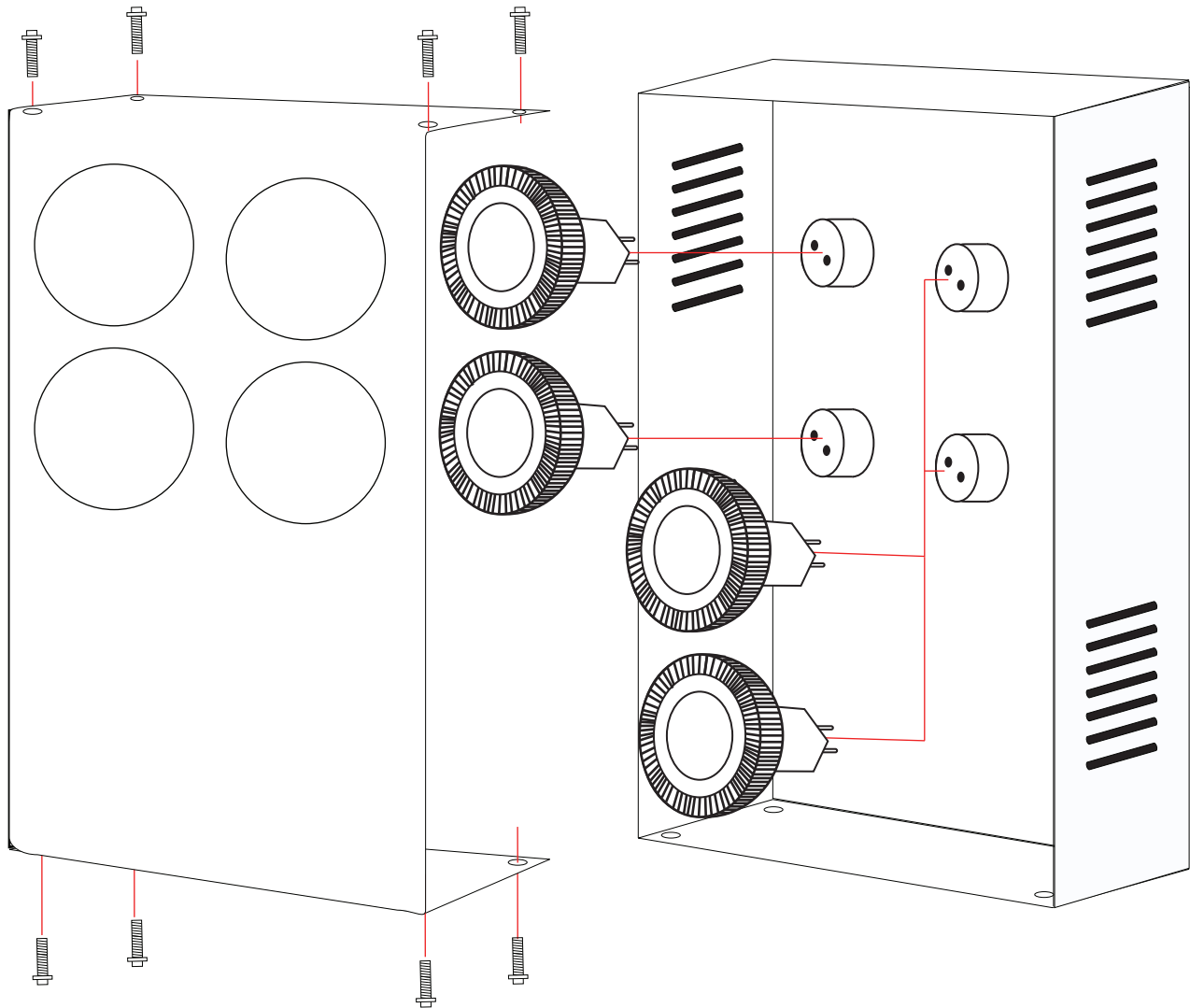


## ID 400 – Bulb Color Temperature

There are 4 bulbs for the ID-400:

1. W05-60 4 Bulbs Tungsten Flood 3200 degrees (\$129)
2. W05-40 4 Bulbs Tungsten Spot 3200 degrees (\$129)
3. T05-60 4 Bulbs Daylight Flood 5500 degrees (\$129)
4. T05-40 4 Bulbs Daylight Spot 5500 degrees (\$129)

## Replacing the bulbs



## CONDITIONS OF WARRANTY SERVICE

- Free service for one year from the day of purchase if the problem is caused by manufacturing errors.
- The components and maintenance service fee will be charged if the warranty period has expired.

Free Service will not be Provided in the Following Situations: (\* Even if the product is still within the warranty period.)

- Damage caused by abuse or misuse, dismantling, or changes to the product not made by the company.
- Damage caused by natural disaster, abnormal voltage, and environmental factors etc.