

# IBK25013-v3

## Interview Bi-Color Kit w/ 2 x IB508-v2 + 1 x iLED312-v2 QUICKSTART GUIDE



### What's included

- 2 x IB508 Lights
- 1 x iLED312-v2 Lights
- 3 x Compact Stand-v3
- 1 x Light Bag
- 1 x Stand Bag

### QuickStart Guide:

- IB508-v2 LED Light QSG
- iLED 312-v2 LED Light QSG

Checked by

---

### CONDITIONS OF WARRANTY SERVICE

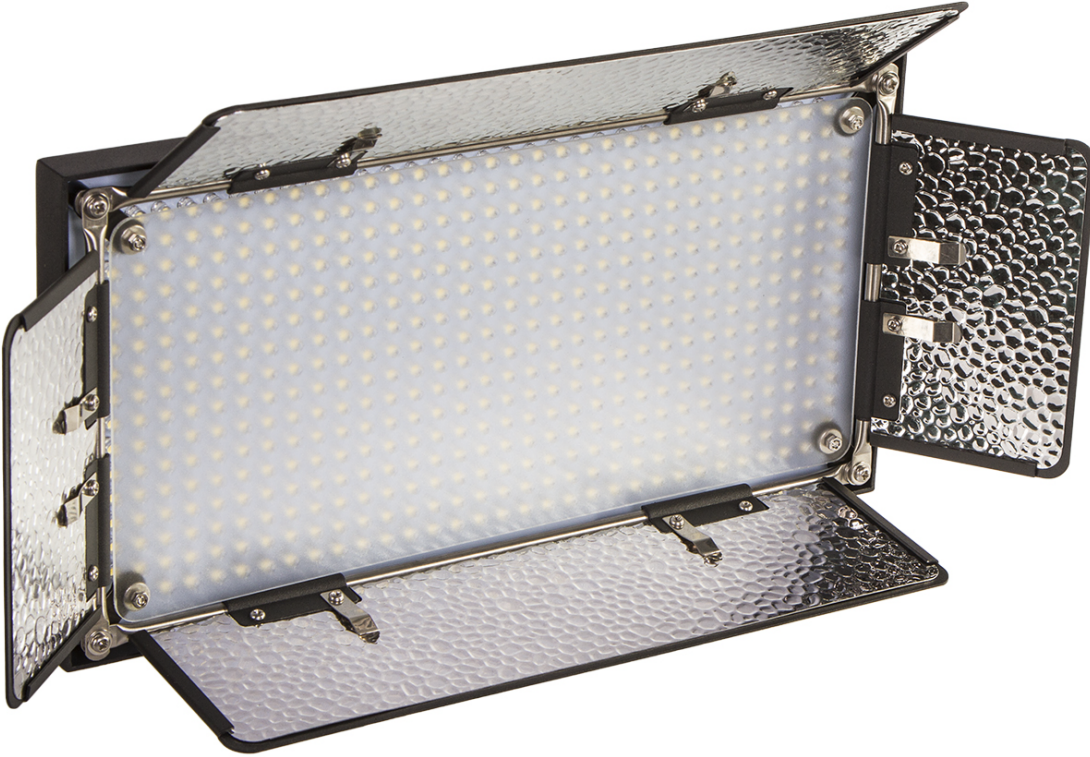
- Free service for one year from the day of purchase if the problem is caused by manufacturing errors.
- The components and maintenance service fee will be charged if the warranty period has expired.

Free Service will not be Provided in the Following Situations: (\* Even if the product is still within the warranty period.)

- Damage caused by abuse or misuse, dismantling, or changes to the product not made by the company.
- Damage caused by natural disaster, abnormal voltage, and environmental factors etc.

# IB508-v2

## IB508-v2 LED Studio Bi-Color Light QUICKSTART GUIDE



### What's included

- |  |   |
|--|---|
| <input type="checkbox"/> IB508-v2 LED Light      | <input type="checkbox"/> LM-102 Stand Adapter |
| <input type="checkbox"/> AC Adapter              | <input type="checkbox"/> Diffusion Filter     |
| <input type="checkbox"/> Sony "L" DV Battery (2) | <input type="checkbox"/> CTO Filter           |
| <input type="checkbox"/> DV Battery Charger      |   |

Checked by

### CONDITIONS OF WARRANTY SERVICE

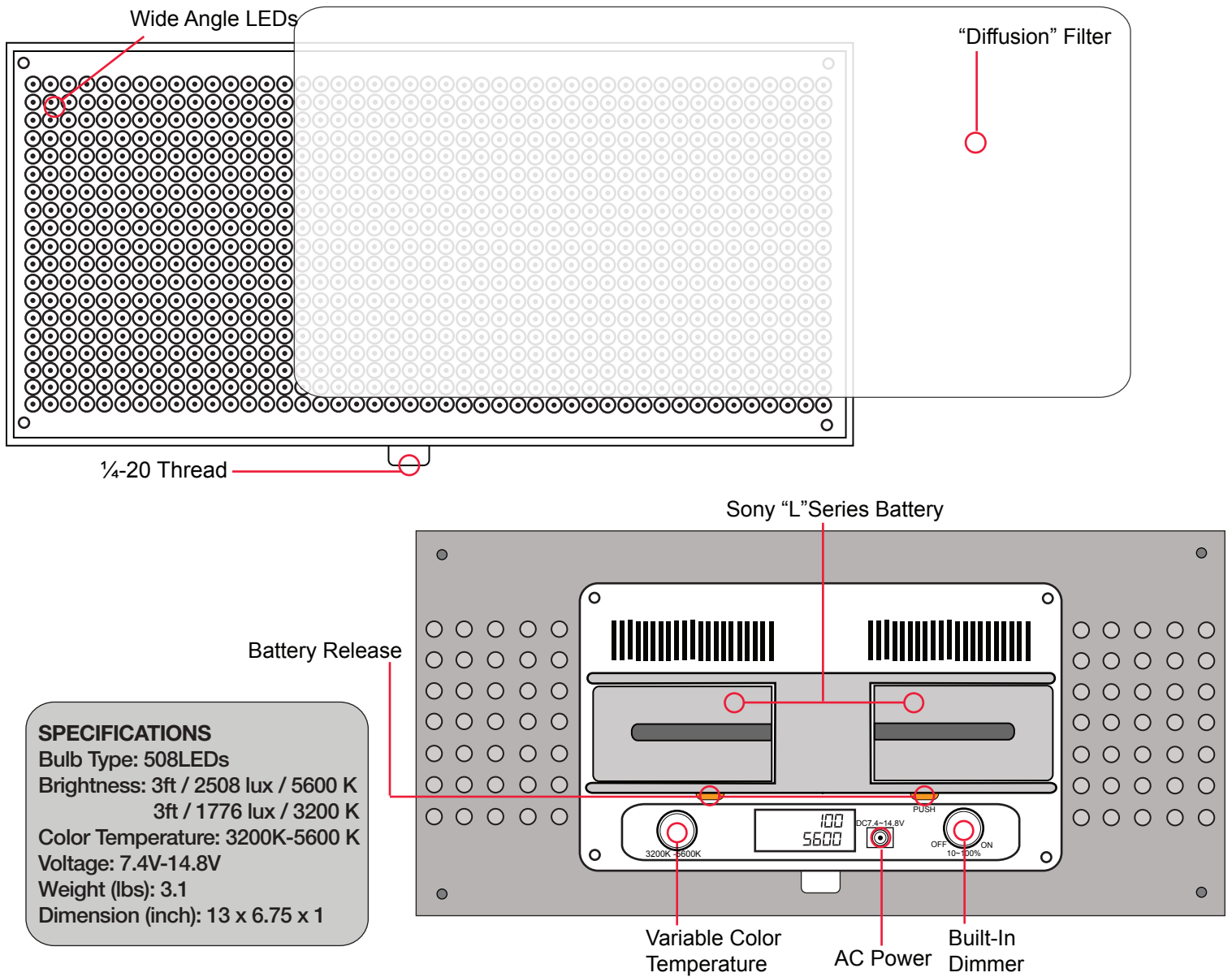
- Free service for one year from the day of purchase if the problem is caused by manufacturing errors.
- The components and maintenance service fee will be charged if the warranty period has expired.

Free Service will not be Provided in the Following Situations: (\* Even if the product is still within the warranty period.)

- Damage caused by abuse or misuse, dismantling, or changes to the product not made by the company.
- Damage caused by natural disaster, abnormal voltage, and environmental factors etc.

# IB508-v2

## IB508-v2 LED Studio Bi-Color Light QUICKSTART GUIDE



### Notes:

Due to the way the Sony L 500 Series and 300 series batteries are designed, Sony MP-F330/F570/F550 batteries will not work on the left battery slot of the IB508-v2.

When the battery indicator shows only one dot, we highly recommend switching out the battery. Allowing the battery indicator to go below one dot may result in low voltage abnormalities that may cause random LEDs to shut off.

# iLED312-v2

## On-Camera Dual Color LED Light QUICKSTART GUIDE



### What's included

- iLED312-v2 Light
- Barndoor
- AC Adapter
- (2) Sony "L" DV Battery
- DV Battery Charger
- Car Adapter
- Soft Carrying Case
- Shoe Mount
- Diffusion Filter

Checked by

### CONDITIONS OF WARRANTY SERVICE

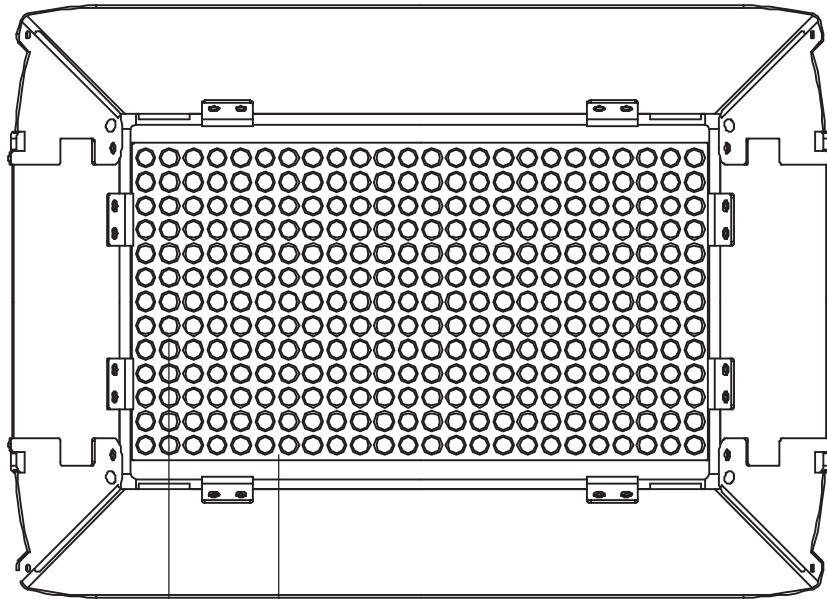
- Free service for one year from the day of purchase if the problem is caused by manufacturing errors.
- The components and maintenance service fee will be charged if the warranty period has expired.

Free Service will not be Provided in the Following Situations: (\* Even if the product is still within the warranty period.)

- Damage caused by abuse or misuse, dismantling, or changes to the product not made by the company.
- Damage caused by natural disaster, abnormal voltage, and environmental factors etc.

# iLED312-v2

## On-Camera Dual Color LED Light QUICKSTART GUIDE



① Wide Angle LEDs

② Diffusion Filter



**Warning:**

- Do not block the vents or look directly at the LED light while its on.
- The body of the light might get hot, after prolong use.

①

②

③ Release Knob

④ Battery Release

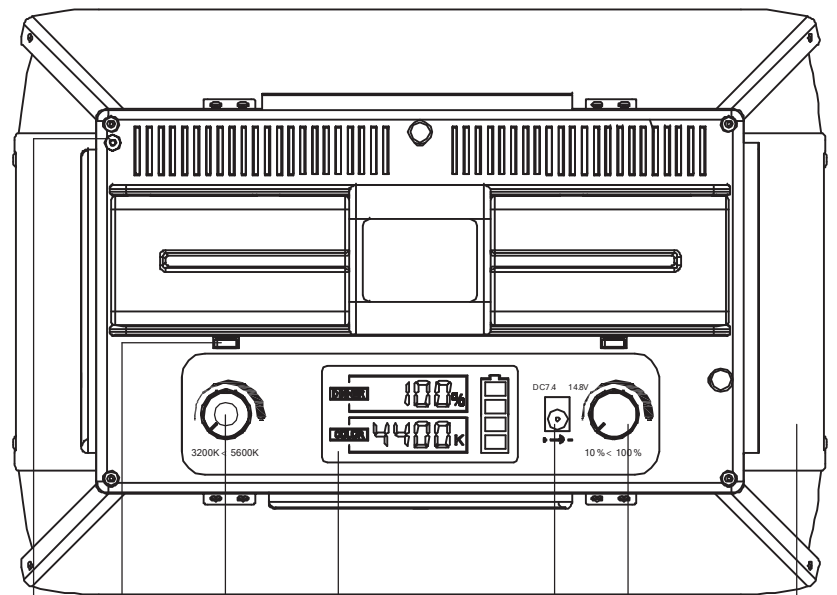
⑤ Variable Color Temperature

⑥ LCD Display

⑦ DV Power

⑧ Built-In Dimmer

⑨ Barndoors



③

④

⑤

⑥

⑦

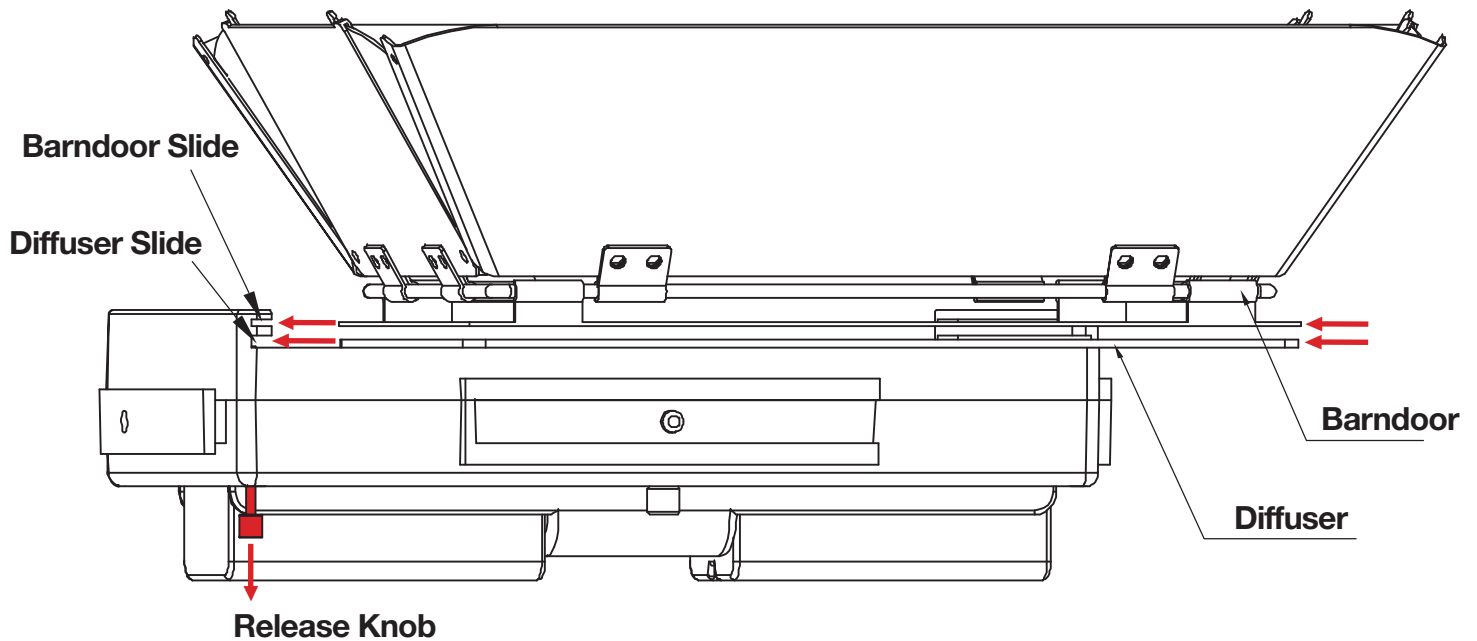
⑧

⑨

ikan

# iLED312-v2

## On-Camera Dual Color LED Light QUICKSTART GUIDE

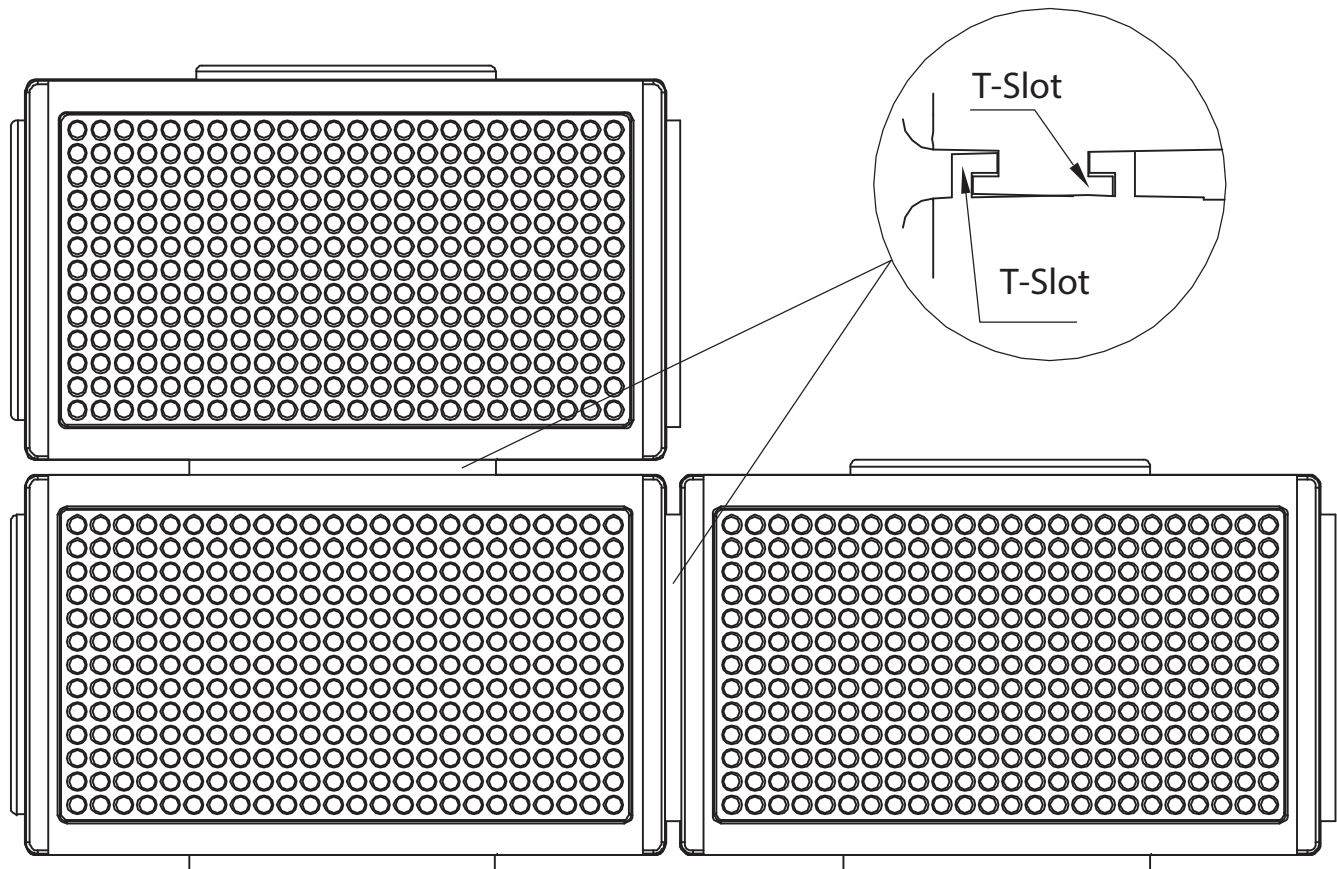


### ATTACHING THE BARNDOOR

The iLED312-v2 light can attach quickly and easily to barndoors. Simply slide the barndoor along the diffuser slide until it locks into place. To release, pull down the knob and slide the barndoor out.

# iLED312-v2

## On-Camera Dual Color LED Light QUICKSTART GUIDE



### T-SLOT

The iLED312-v2 light features T-slots on both the top and bottom and on the sides for easy attachment of multiple 312 lights.

#### SPECIFICATIONS:

Bulb Type: 312 LEDs

Brightness: 6800 lux / 50cm

Color Temperature: 3200 K - 5600 K

Voltage: 7.4V-14.8V

Weight (kg): 0.35

Dimension (mm): 190 x 115 x 35

ikan

[www.ikancorp.com](http://www.ikancorp.com)

713-272-8822