

# EV2Grip Handles

Rubberized Grip Handles 200mm Core w/15RDA

## Quickstart Guide



### What's included

- 2 - ELE-15RDA
- 2 - ELE-GC

Checked by

### CONDITIONS OF WARRANTY SERVICE

- Free service for one year from the day of purchase if the problem is caused by manufacturing errors.
- The components and maintenance service fee will be charged if the warranty period has expired.

Free Service will not be Provided in the Following Situations: (\* Even if the product is still within the warranty period.)

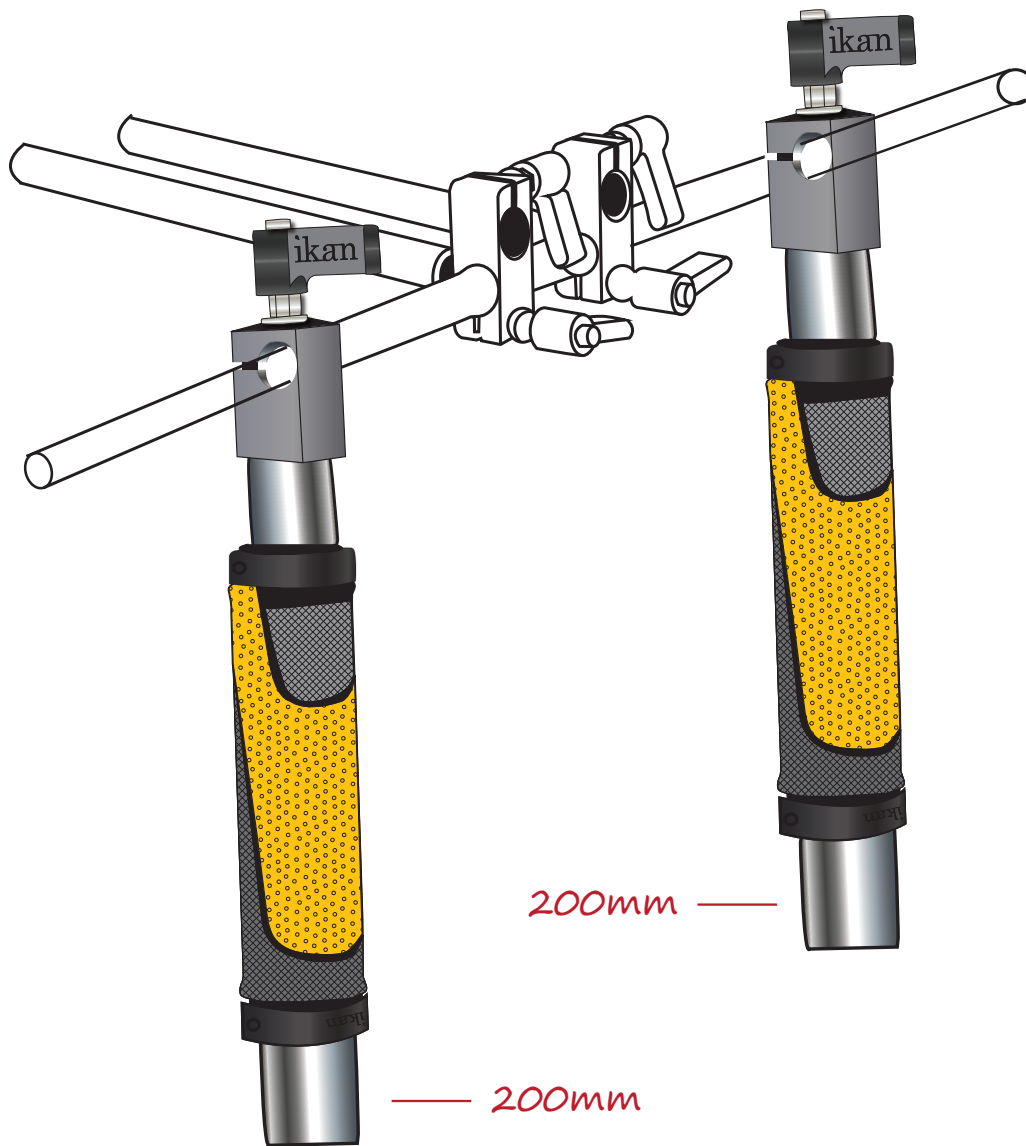
- Damage caused by abuse or misuse, dismantling, or changes to the product not made by the company.
- Damage caused by natural disaster, abnormal voltage, and environmental factors etc.

# EV2Grip Handles

## Rubberized Grip Handles 200mm Core w/15RDA

### Quickstart Guide

The ikan rubberized grip handles has a 200mm size solid metal cores that comes out on both ends the handle. It also comes with the 15RDA ELEMENT piece already attached and a spring loaded ratcheting thumb screw(s). Simply slide the handle onto a 15mm size rod and tighten the thumb screw. The position of the handles can also be adjusted on the core, loosen the four screws on the side of the handle, put the handle in the desired position and then tighten. If your handle is put in a position to where you cannot loosen or tighten the thumb screw, pull up the thumb screw and adjust.



ikan

[www.ikancorp.com](http://www.ikancorp.com)

713-272-8822