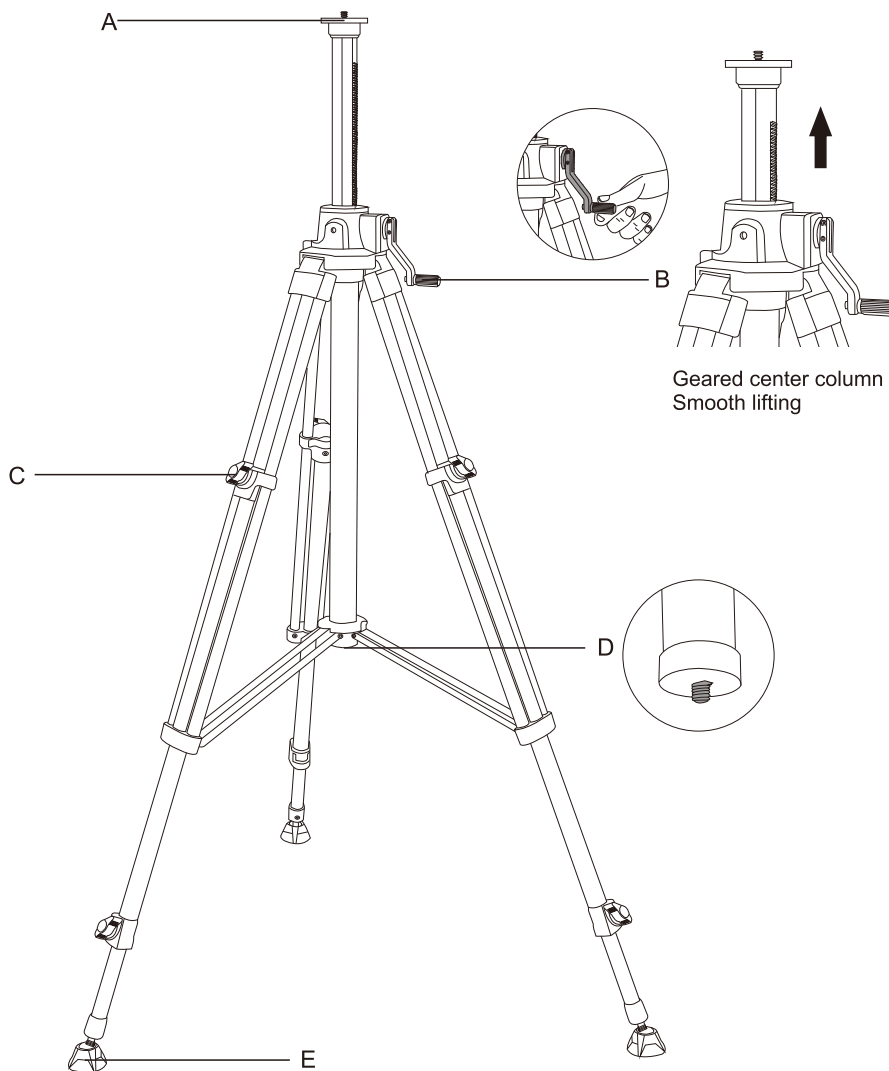




E-IMAGE Tripod GA230 Instruction

Description

The E-IMAGE new designed tripod with geared center column is extremely solid and wobble free. Geared center column provides extra height if you need to get your camera high up, filming sports or events. It includes built-in bubble level, rubber feet with retractable spikes can be used on uneven ground. The tripod is compatible with E-IMAGE EI7004C dolly. A mid-level spreader and a padded carrying case are included with the tripod.



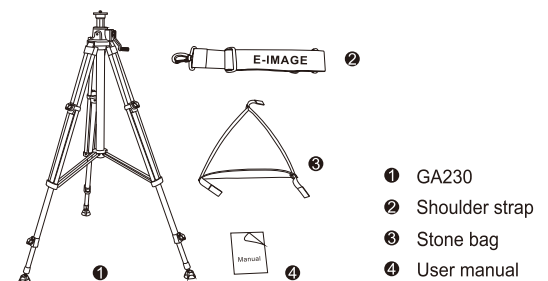
GA230

- A: Flat base with 1/4" screw
- B: Gear elevator handle
- C: Locking knob
- D: 3/8" screw
- E: Anti-slide rubber pad

Specifications

Model No.	GA230
Payload	12kg/26.5lbs
Elevator height	43cm/16.9in
Height range	84-230cm/33.1-90.6in
Net Weight	4800g/10.6lbs
Transport length	89cm/35.0in
Material	Aluminum
Sections	3

In the box



Contact Information

NINGBO EIMAGE STUDIO EQUIPMENT CO., LTD

Add: NO.1230 South Cihai Road, Luotuo Industry Zone, Zhenhai, Ningbo, China 315202
Tel: +86-574-86590061/86590031
E-mail: sales@eimagevideo.com
Visit www.eimagevideo.com for more information

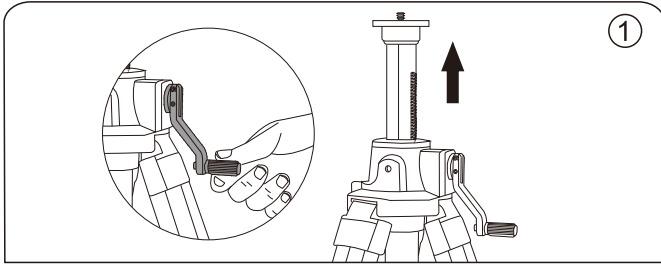


EIMAGE official QR code

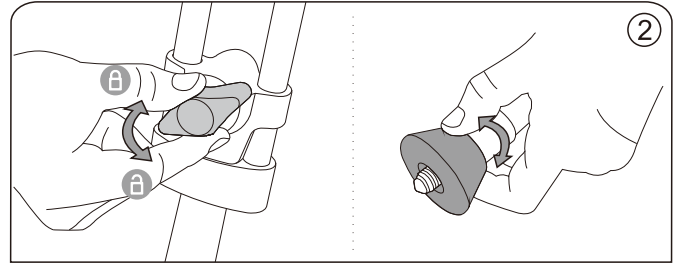


E-IMAGE Tripod GA230 Instruction

Instructions

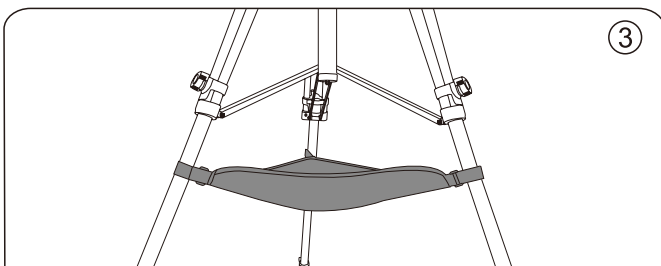


1. The geared center column will raise up when you revolve the crank clockwise, otherwise, it goes down.

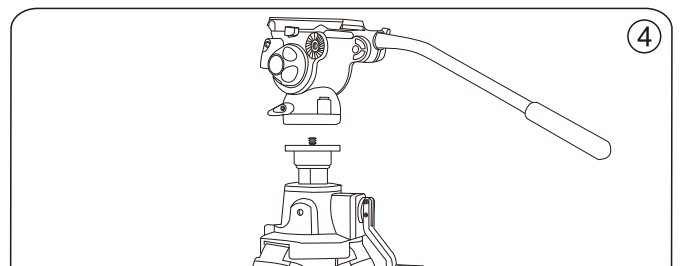


2-1. Open the locking to expand or collapse tripod tube.

2-2. Rubber feet with retractable spikes.

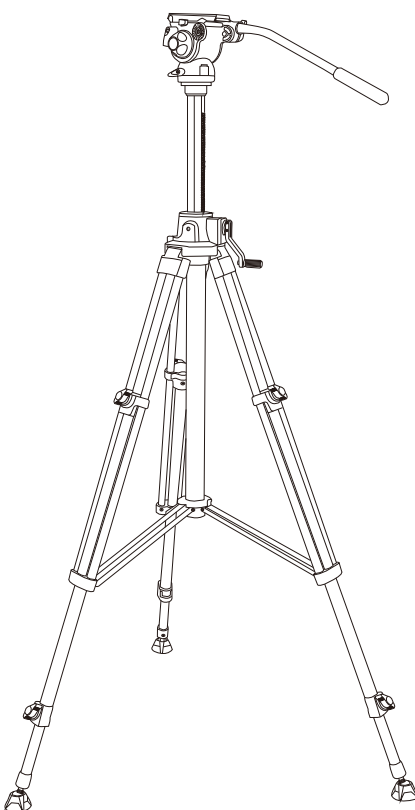


3. Stone Bag attaches to your tripod's three legs and supports a counterweight, which can provide additional stability and balance.

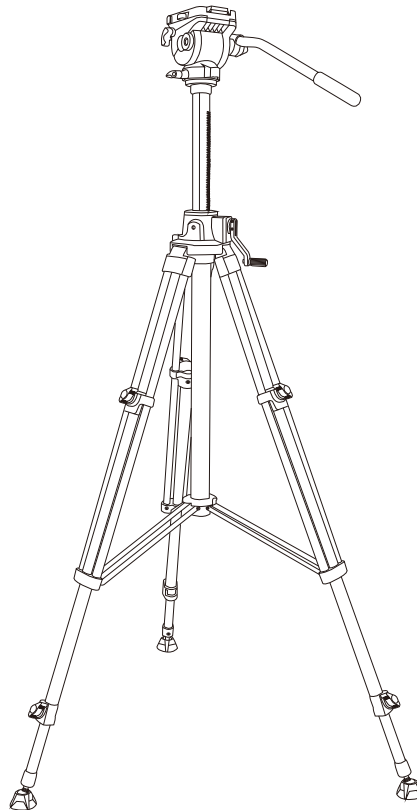


4. Fluid head or camera can be attached to the tripod directly.

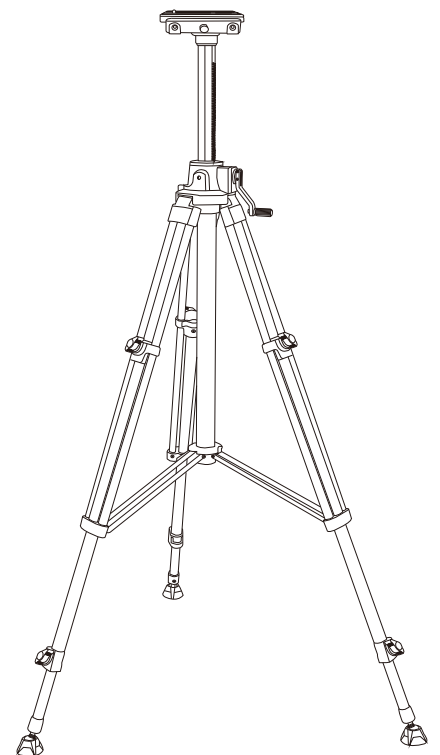
Recommended Kits



EG03FA3 (GH03F+GA230)



EG04FA3 (GH04F+GA230)



GA230-PTZ (GA230+P6)