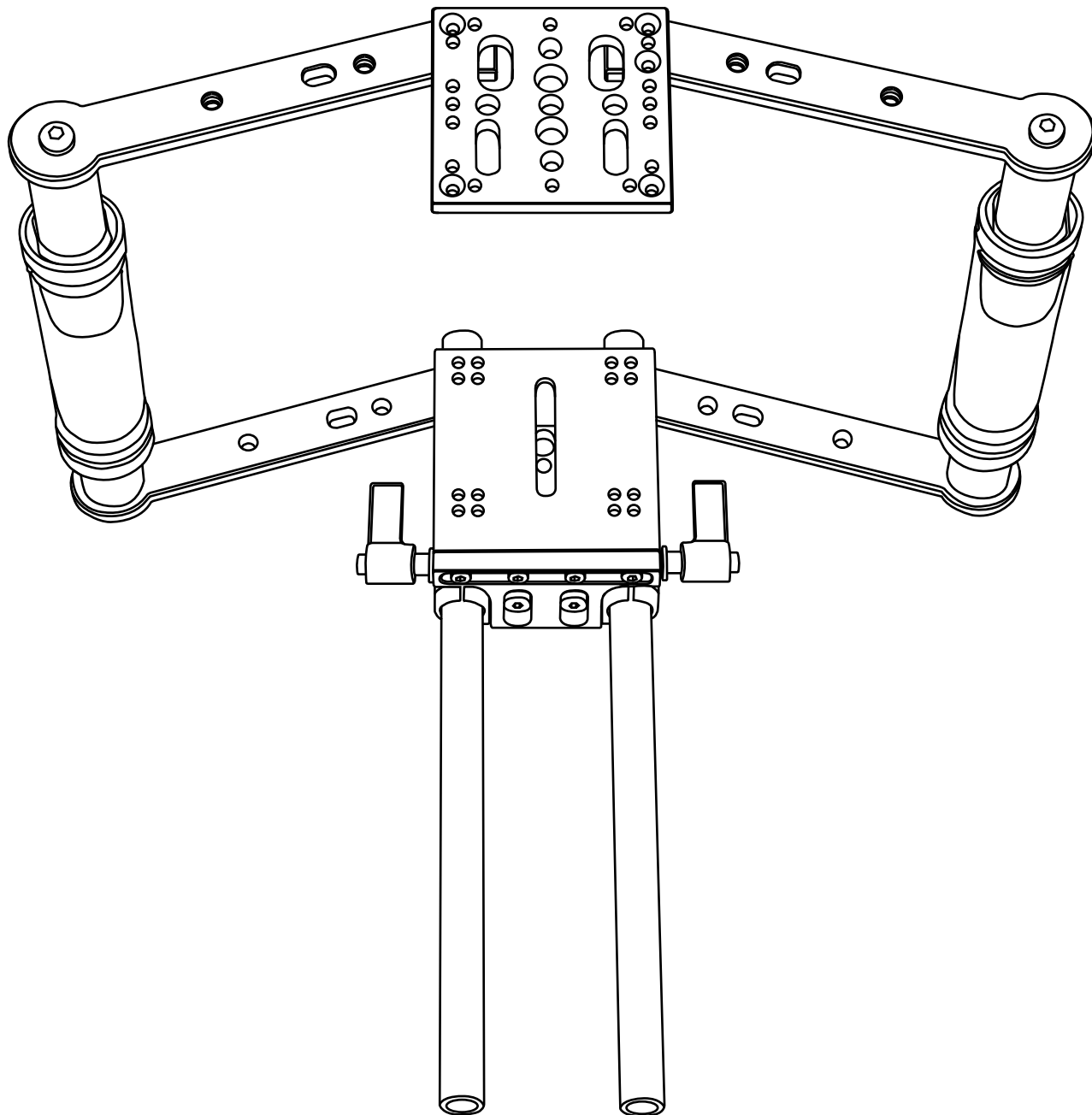


EV2 Super Fly

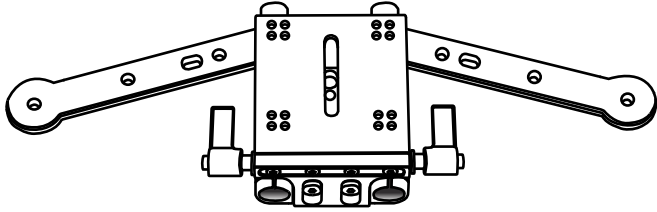
EV2 Super Fly QUICKSTART GUIDE



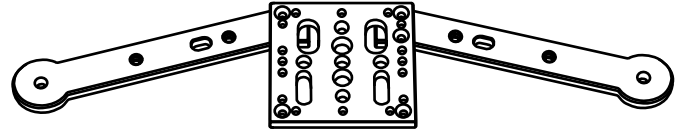
EV2 Super Fly

EV2 Super Fly QUICKSTART GUIDE

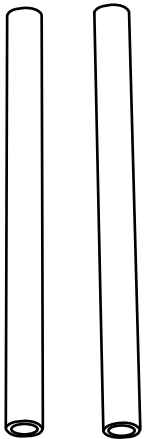
What's included



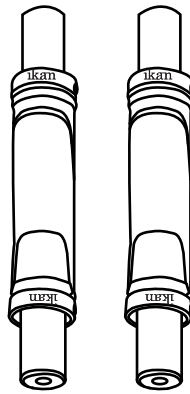
- 1 x ELE-SBP, 2 x ELE-HDLX



- 1 x ELE-PT, 2 x ELE-HDLX



- 2 x ELE-15R12



- 2 x Handle Bar 200



- 1 x HEX KEY 2.5mm
- 1 x HEX KEY 5/32 inch



- 1 x DRS-01



- 4 x 1/4-20-3/4 inch Socket Head Screw

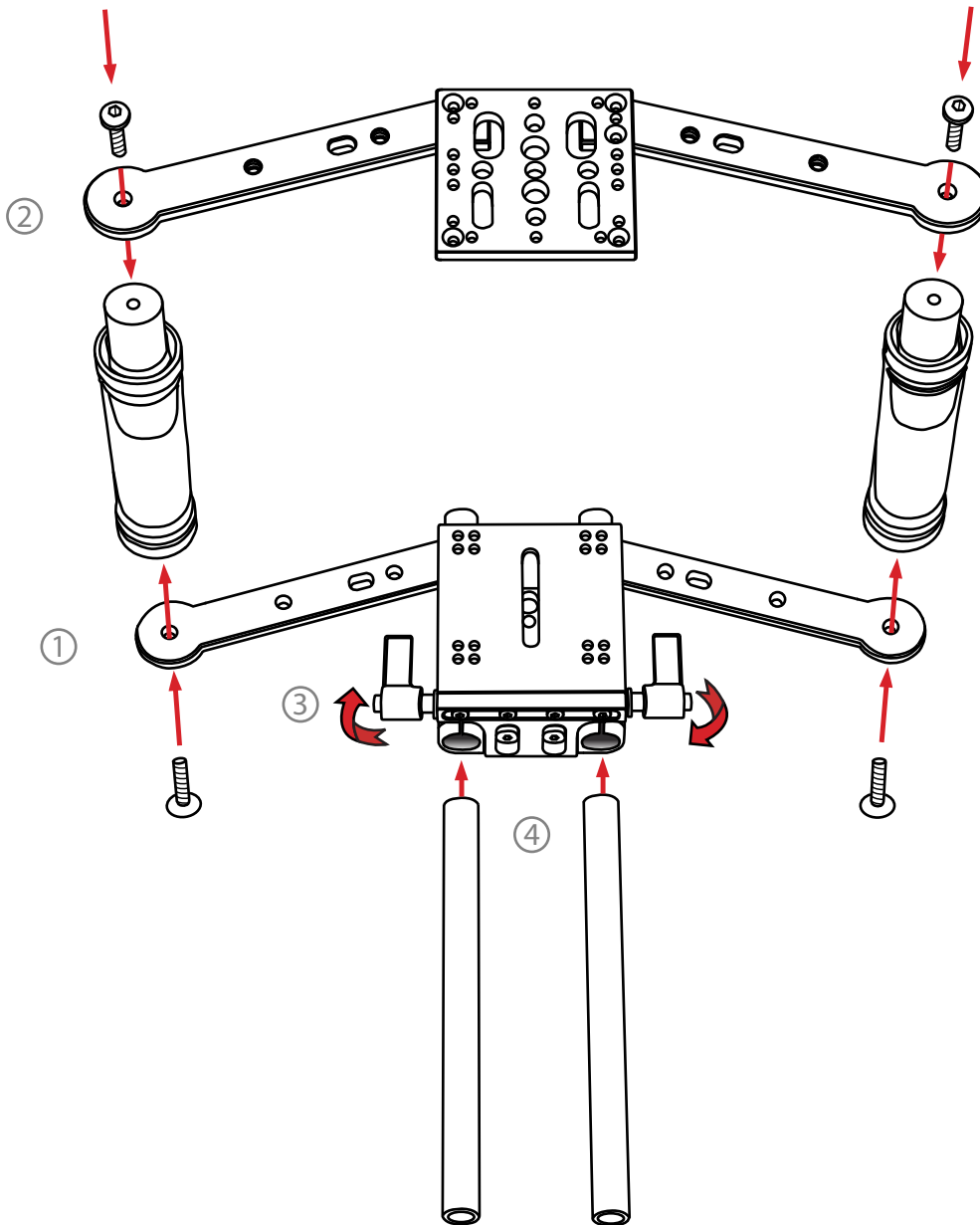
Checked by

EV2 Super Fly

EV2 Super Fly QUICKSTART GUIDE

PRODUCT ASSEMBLY

Assembling your EV2 Super Fly is quick and easy, since the majority of the rig has already been pre-assembled for you. (1) Secure the heavy duty Comfort Hand Grips to bottom Handle Arms, using the included 1/4-20 Hex Screws and tighten them with the Hex Key. (2) Next, fasten the top Handle Arms to the top of heavy duty Comfort Hand Grips, using the remaining two 1/4-20 Hex Screws. (3) Finally, insert the 12" Rods into the front Rod Mount of the Small Base Plate, slide them into desired position, and (4) tighten the Adjustable Thumb Screws to lock them in place.



EV2 Super Fly

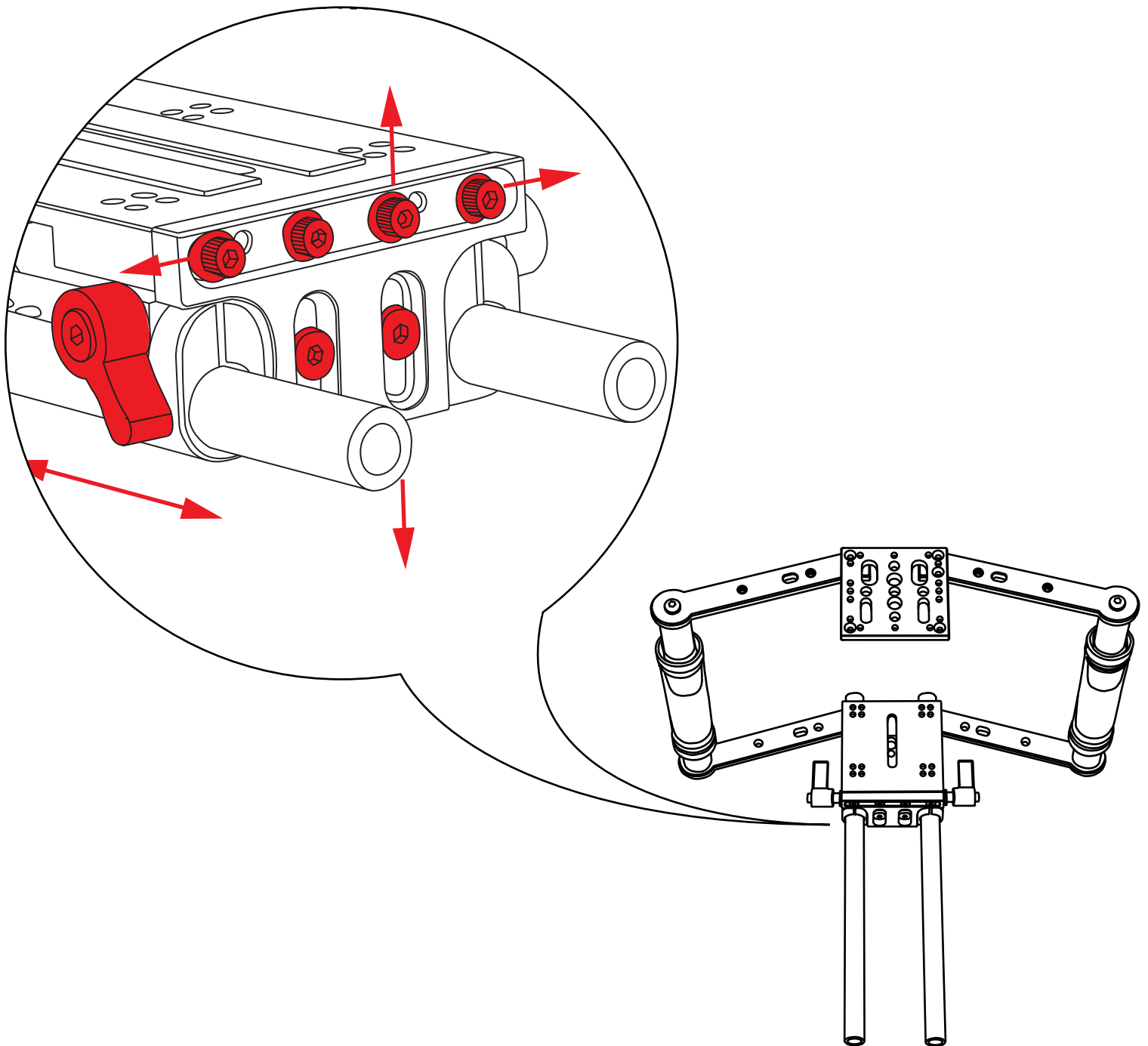
EV2 Super Fly QUICKSTART GUIDE

ADJUSTMENT POINTS

Numerous Adjustment Points allow for precise positioning modifications to the Small Base Plate component of your EV2 Super Fly Kit.

Loosen Thumb Screws to move 12" Rods forward/backwards.

Loosen front Hex Screws to make vertical/horizontal adjustments.

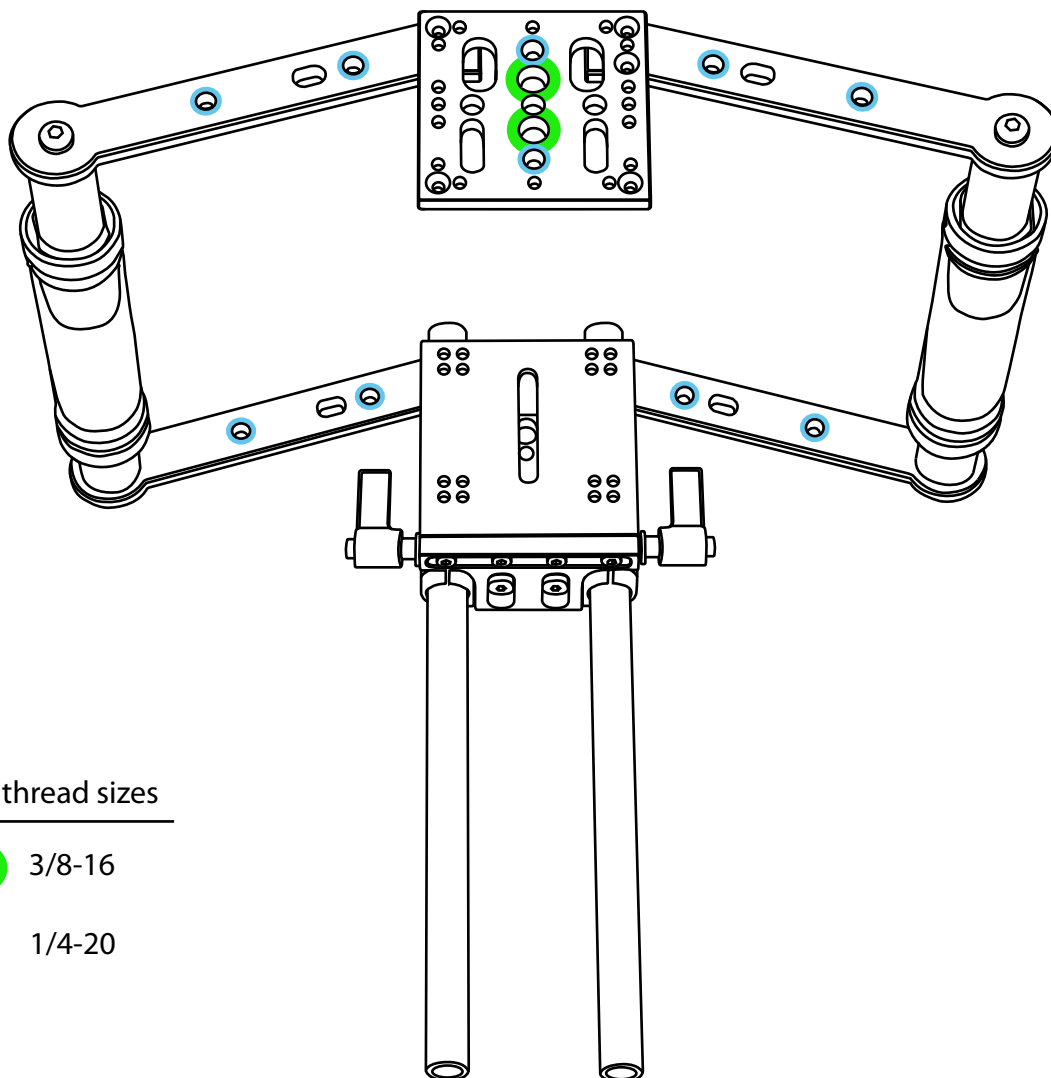


EV2 Super Fly

EV2 Super Fly QUICKSTART GUIDE


MOUNTING POINTS

The EV2 Super Fly contains numerous 3/8-16 and 1/4-20 threaded mounting points, designed with plenty of space in between to comfortably fit all of your accessories, such as a field monitor, on-camera light, and audio solutions.



Screw thread sizes

 3/8-16

 1/4-20

EV2 Super Fly

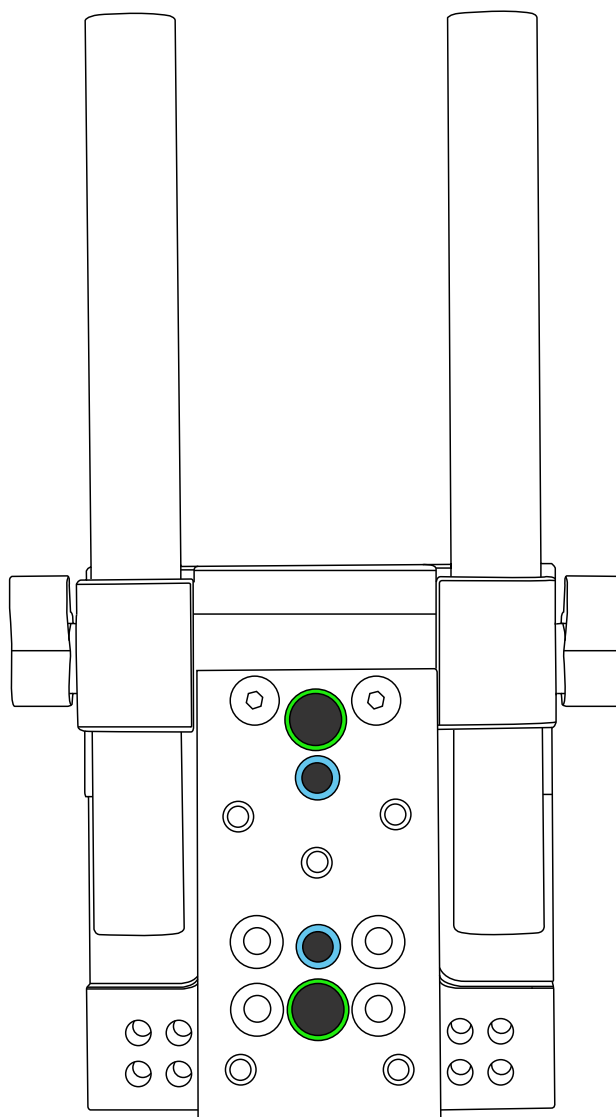
EV2 Super Fly QUICKSTART GUIDE

SKID PLATE ATTACHMENT POINTS

There are a total of four threaded attachment points for your skid plate; two 3/8-16 and two 1/4-20 threaded holes for you to choose from. Simply tighten the screw from your skid plate into the appropriate hole for easy mounting and unmounting from your tripod's quick release.

Screw thread sizes

-  3/8-16
-  1/4-20



*Bottom View

EV2 Super Fly

EV2 Super Fly QUICKSTART GUIDE

MOUNTING YOUR CAMERA

Loosen the thumb screw and slide out one of the 12" rods, in order to gain access to easily fit your hand underneath the top portion of the small base plate. Next, take the D-Ring and slide it through the opening. Align the 1/4-20 threaded hole on the bottom of your camera with the D-Ring and tighten until your camera is secure. Finally, slide the 12" rod back to its original position and tighten the thumb screw.

