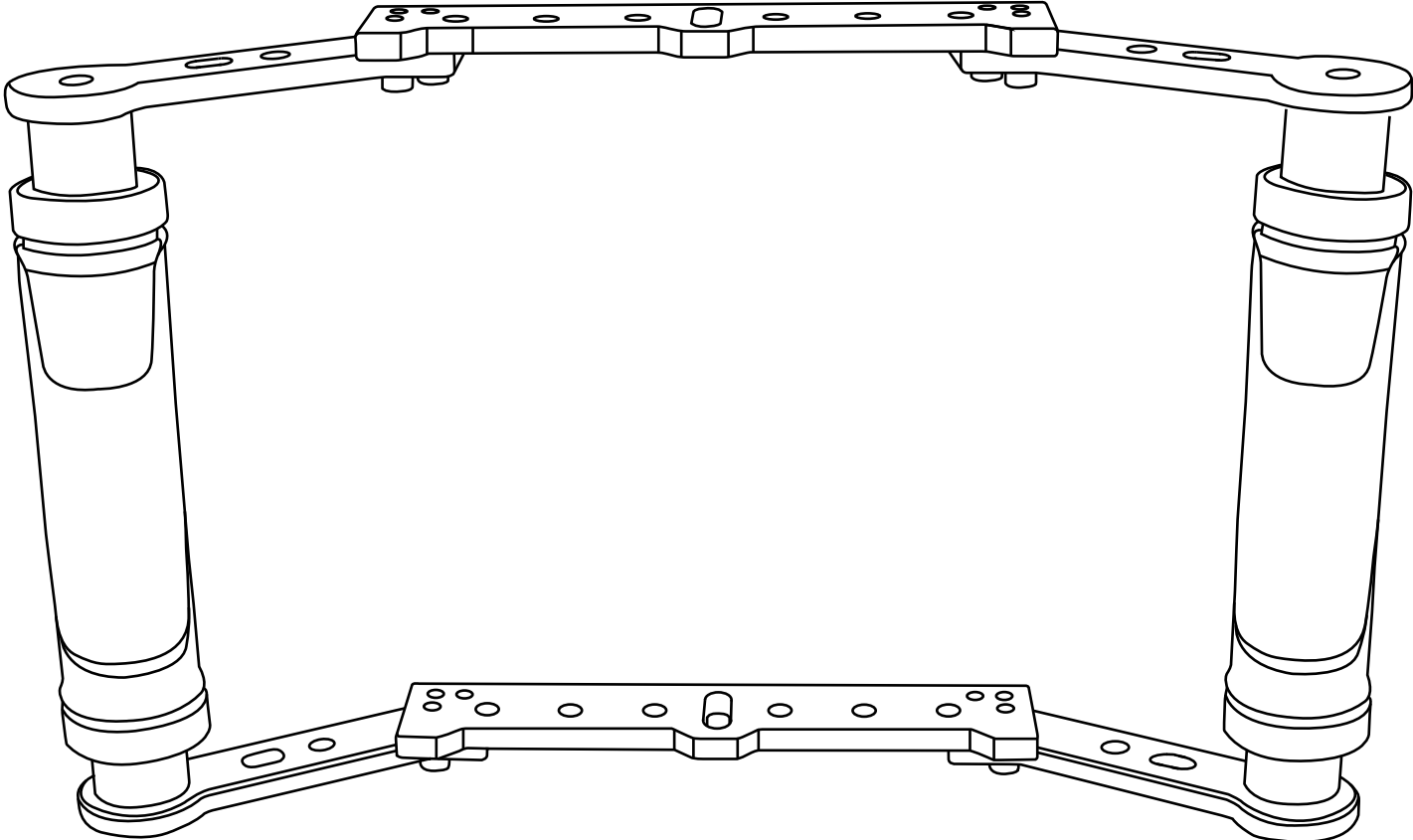


# EV2 Dragon Fly

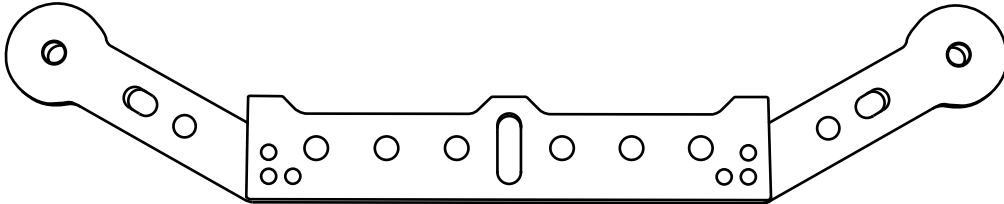
## EV2 Dragon Fly QUICKSTART GUIDE



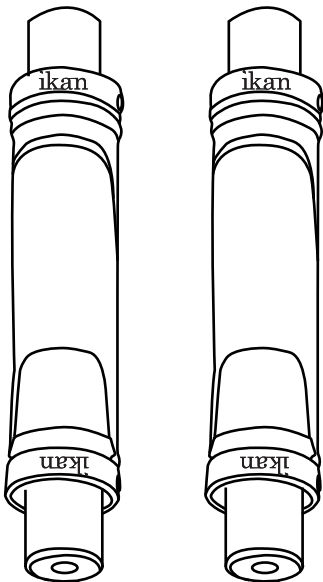
# EV2 Dragon Fly

## EV2 Dragon Fly QUICKSTART GUIDE

### What's included



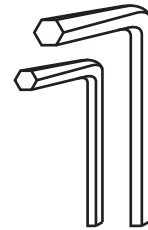
- 2 x ELE-BXT, 4 x ELE-HDLE



- 2 x Handle Bar 160



- 1 x DRS-01



- 1 x HEX KEY 2.5mm
- 1 x HEX KEY 5/32 inch



- 4 x 1/4-20-3/4 inch  
Socket Head Screw

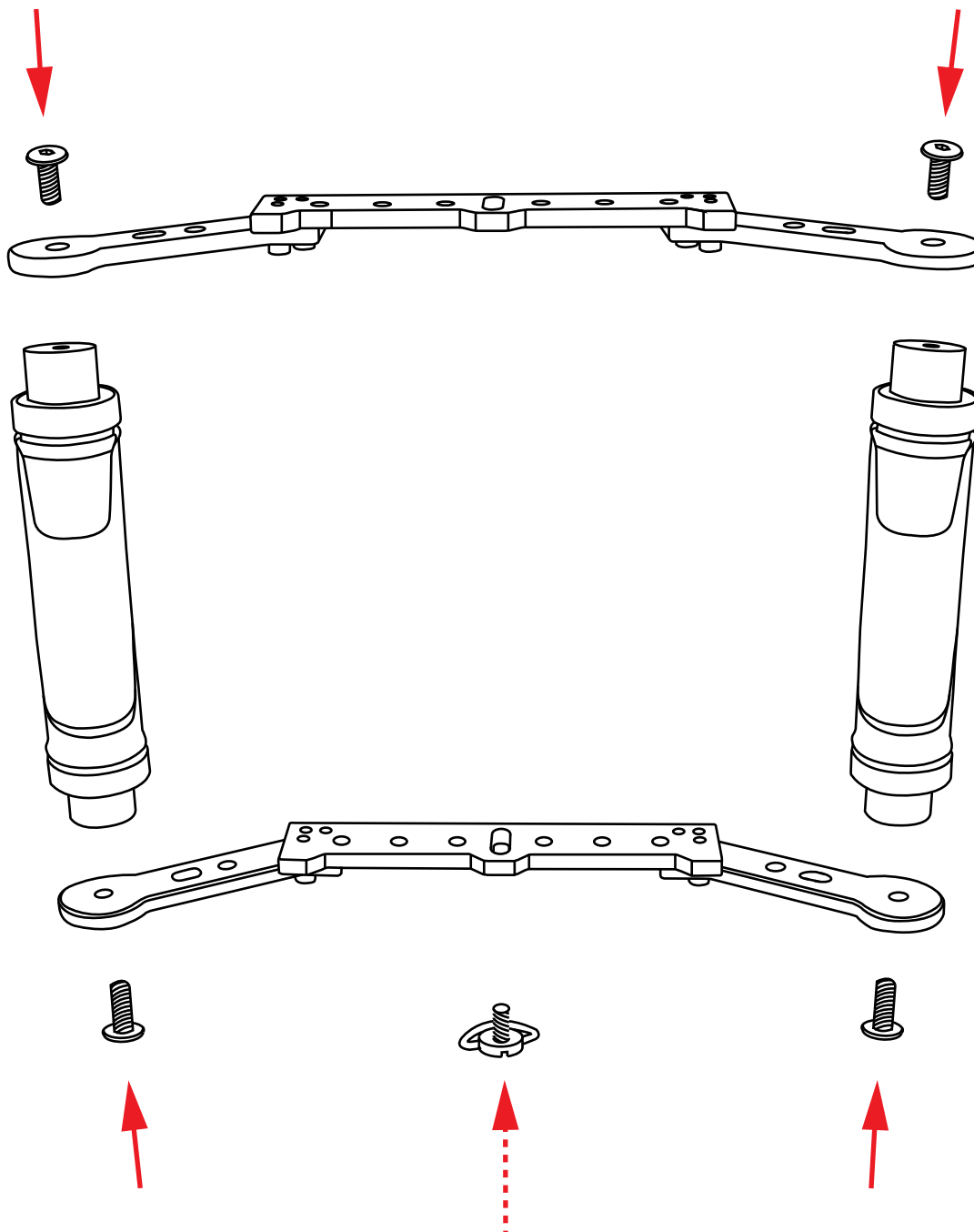
Checked by

# EV2 Dragon Fly

## EV2 Dragon Fly QUICKSTART GUIDE

### PRODUCT ASSEMBLY

Assembling your EV2 Deluxe Fly is quick and easy, since the majority of the rig has already been pre-assembled for you. Line up the holes on the Handle Bars with the holes of the Handle Arms, insert the 1/4-20 Screws and tighten using the included Hex Key. Next, attach your camera to the bottom Plate, using the D-Ring, and tighten securely.



# EV2 Dragon Fly

## EV2 Dragon Fly QUICKSTART GUIDE

---

### MOUNTING POINTS

There are numerous 1/4-20 mounting points located throughout the top and bottom plates of the EV2 Dragon Fly, which allows for many mounting and positioning options for your accessories, including on-camera lights, video monitors, and audio solutions.



ikan

[www.ikancorp.com](http://www.ikancorp.com)

713-272-8822