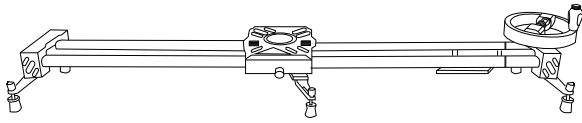


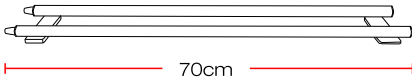


# Extendable Slider

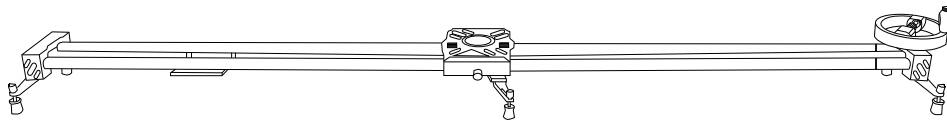
E-IMAGE new extendable slider allows the slider to infinite extend by adding every 70cm carbon fiber rods. It comes with a weighted flywheel attaches to the end of the slider, providing a handle for smooth and precise hand-cranked sliders. It can also works with E-IMAGE Motor 1 to be a motorized slider, to achieve more shooting functions.



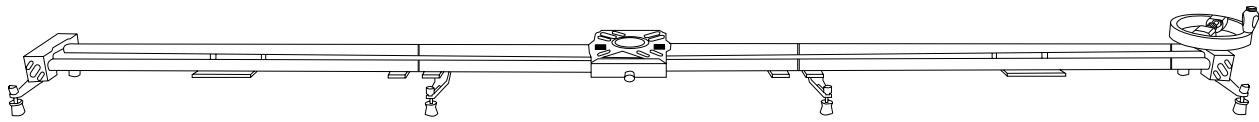
**ES80 (slider)**



**ER-L (extension rail)**



**ES150 (ES80+1PC ER-L)**

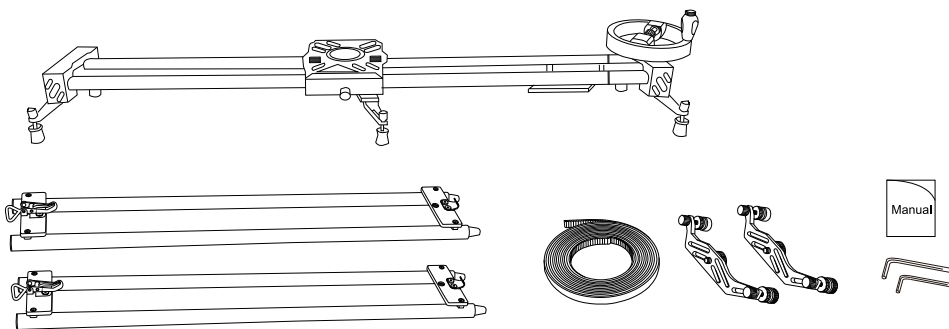


**ES220 (ES80+2PCS ER-L)**

## Specification

Model	ES80	ES150	ES220
Diameter	2.2cm / 0.9in	2.2cm / 0.9in	2.2cm / 0.9in
Material	Carbon fiber	Carbon fiber	Carbon fiber
Payload	10kg / 22.1lbs	8kg / 17.7lbs	6kg / 13.2lbs
Length	80cm / 31.5in	150cm / 59.1in	220cm / 86.6in
Net Weight	3.7kg / 8.2lbs	4.6kg / 10.1lbs	5.6kg / 12.4lbs
Travel Range	60cm / 23.6in	130cm / 51.2in	200cm / 78.7in

## In The Box



### ES220 for example

- ES80 x1
- ER-L x2
- Removable feet x2
- Flat belts x1
- Hexagon Wrench x2
- Use manual x1

## Contact Information

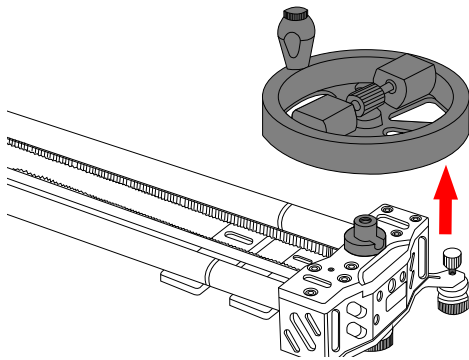
### NINGBO EIMAGE STUDIO EQUIPMENT CO., LTD

Add: NO.1230 South Cihai Road, Luotuo Industry Zone,  
Zhenhai, Ningbo, China 315202  
Tel: 86-574-55681753/55681675 Fax: 0574-86590078  
E-mail: sales@eimagevideo.com  
Visit [www.eimagevideo.com](http://www.eimagevideo.com) for more information

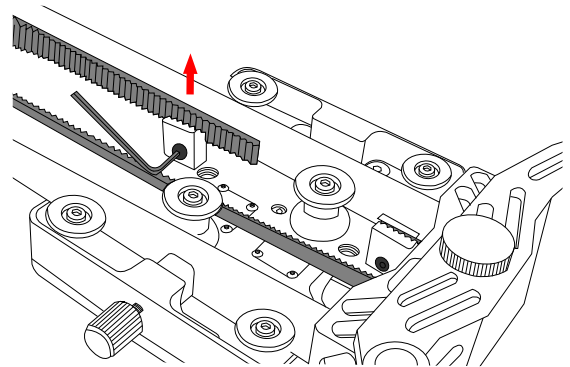


EIMAGE official QR code

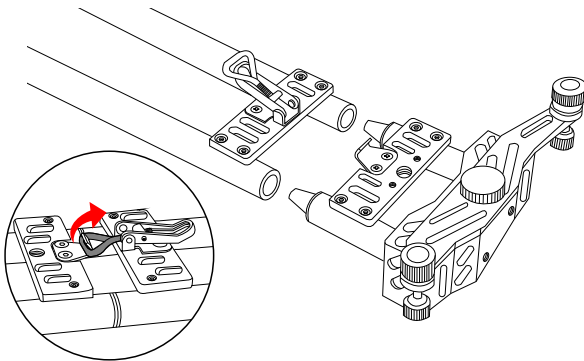
## Instructions



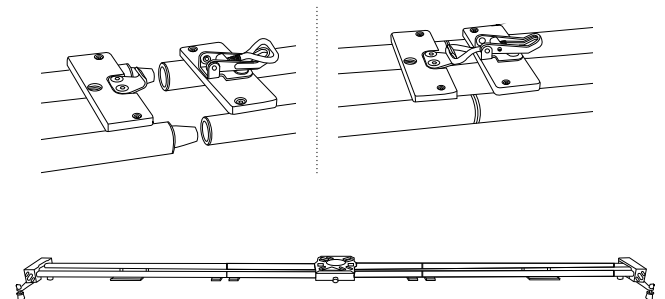
**1** Remove flywheel.



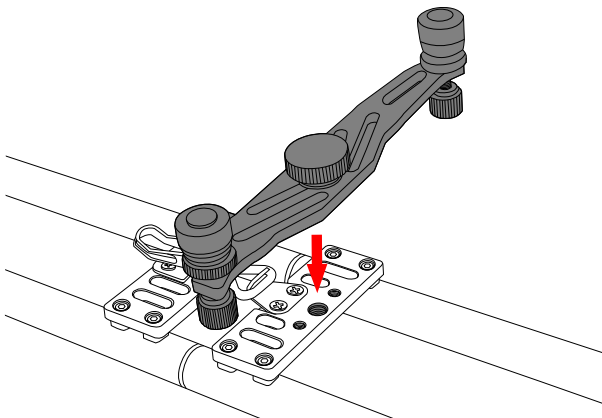
**2** Loose the belt locking screw by hexagon wrench.



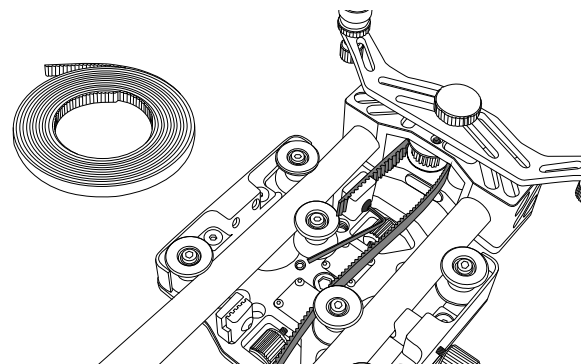
**3** Disassemble the ES80.



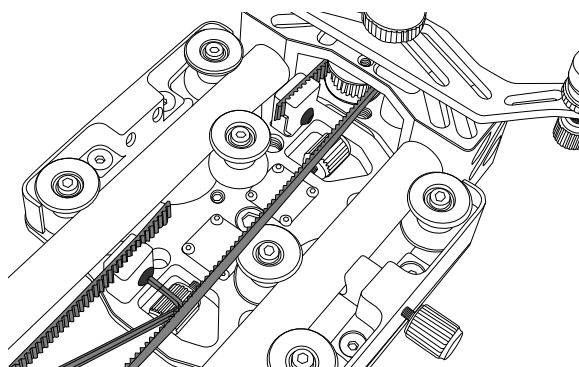
**4** Assemble the ER-L extension rail.



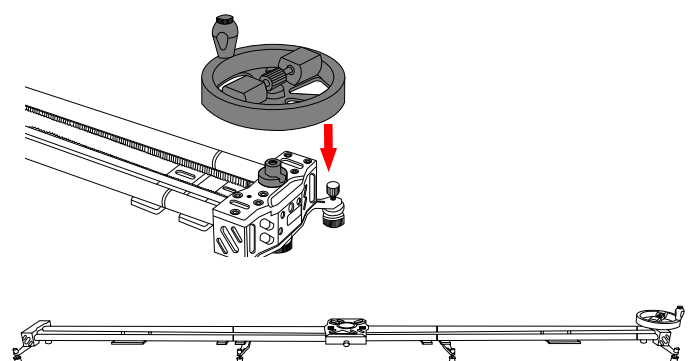
**5** Mount on the slider feet.



**6** Assemble the belt.



**7** Tighten the belt locking screw by hexagon wrench.



**8** Assemble the flywheel.  
Finish.