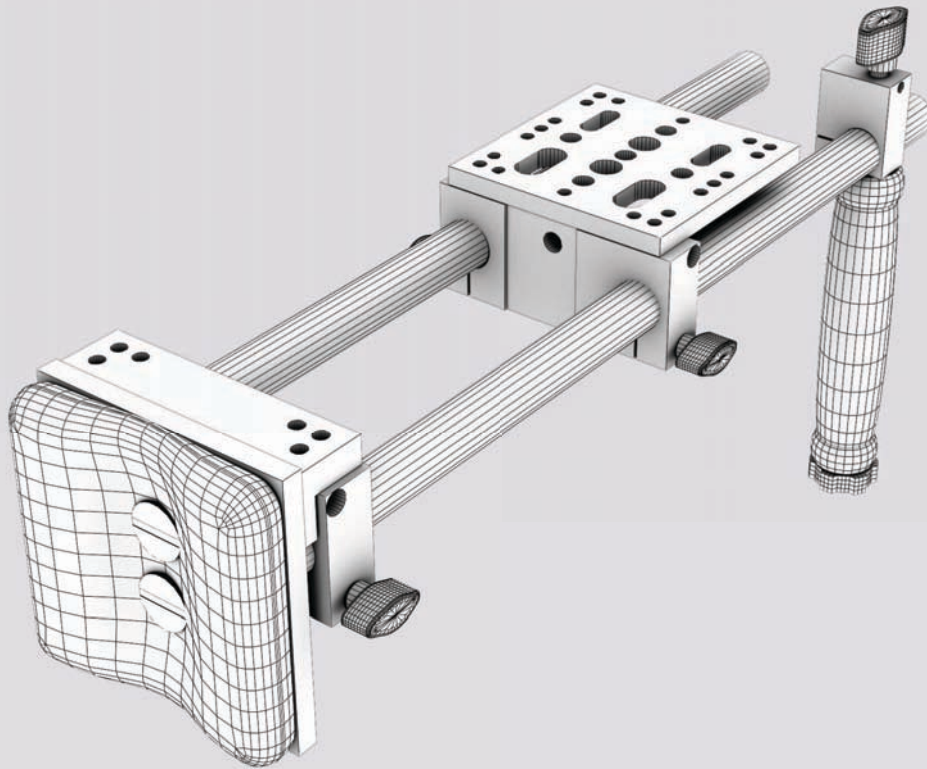
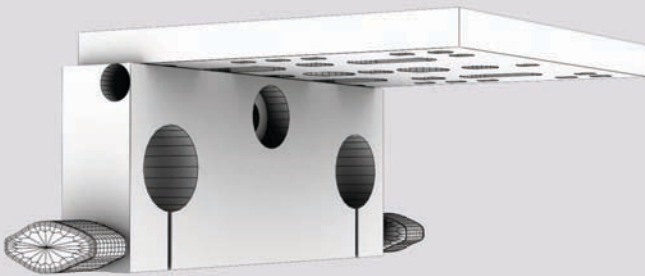


# ELE-SHS

## Shoulder Stock QUICKSTART GUIDE



### What's included



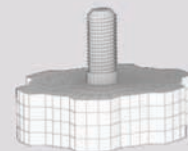
☐ 1 x ELE-PT & ELE-15RM



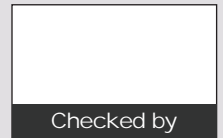
☐ 1 x ELE-UPC, ELE-90-M & ELE-15RM



☐ 1 x ELE-15R18 (pair)



☐ 1 x Rossette Screw



☐ 1 x ELE-15RDA  
& ELE-GB-F

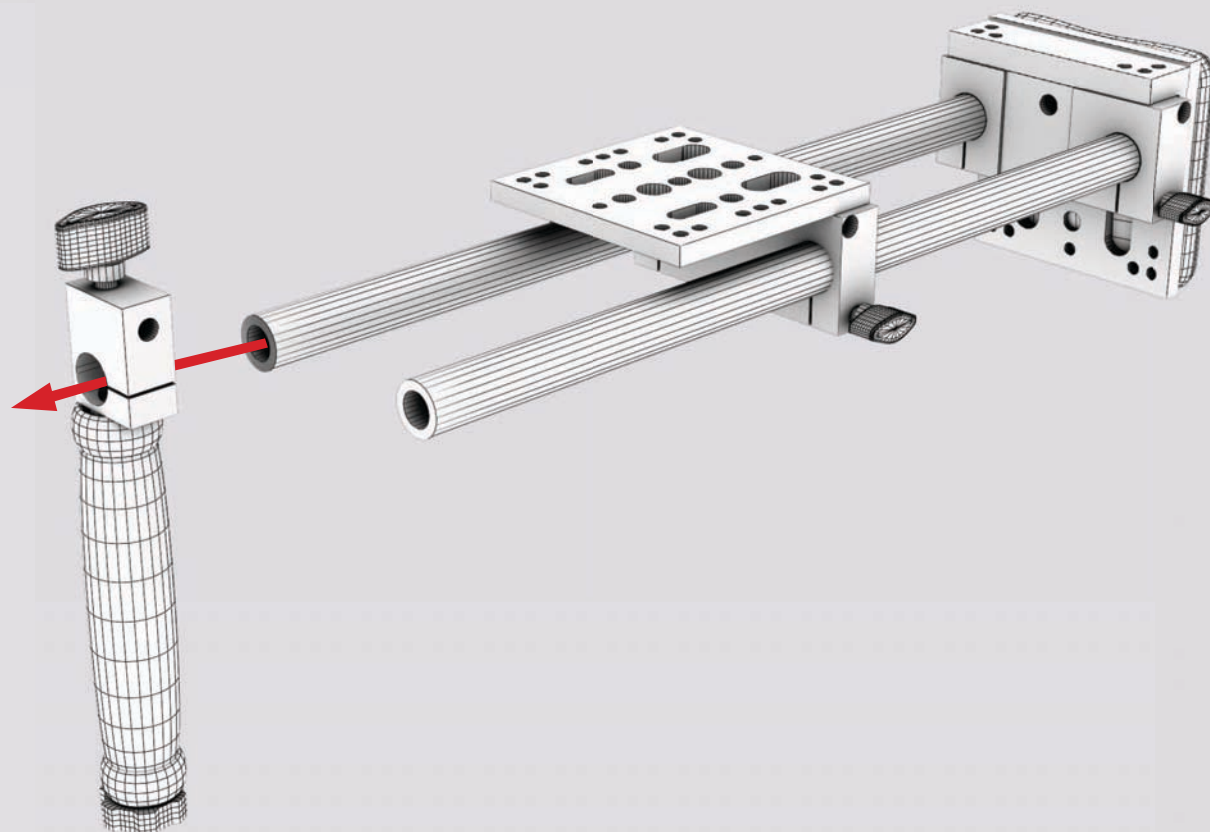
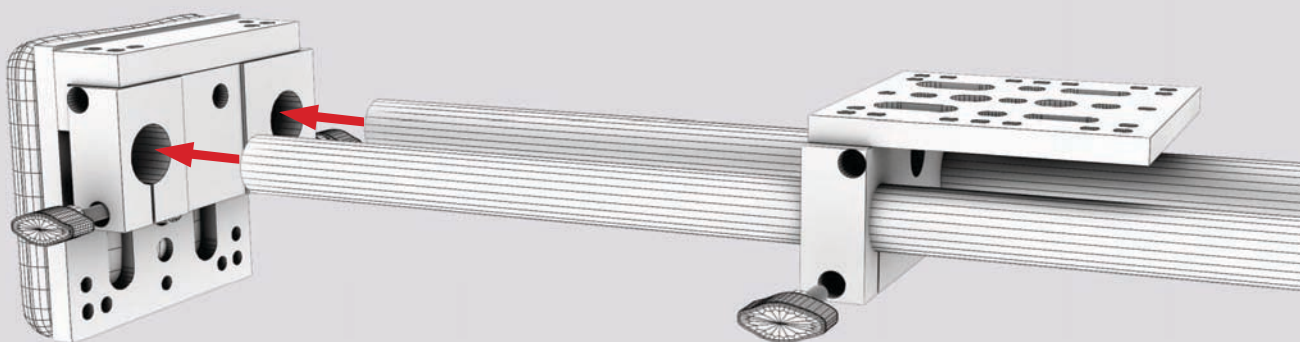
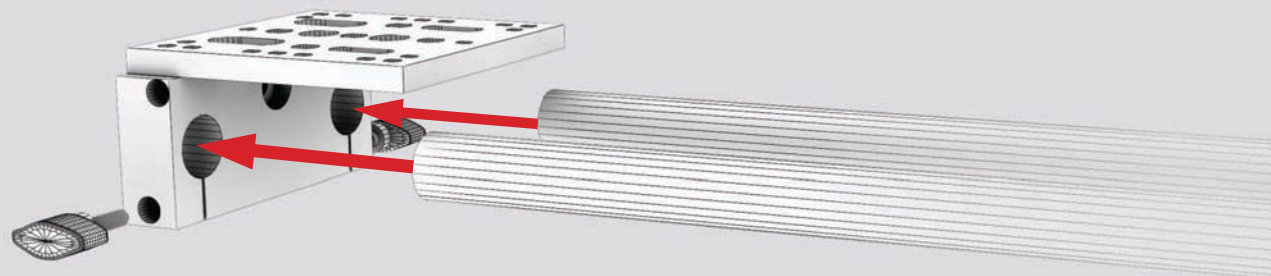
ikan

[www.ikancorp.com](http://www.ikancorp.com)

713-272-8822

**ELE-SHS**

**Shoulder Stock QUICKSTART GUIDE**



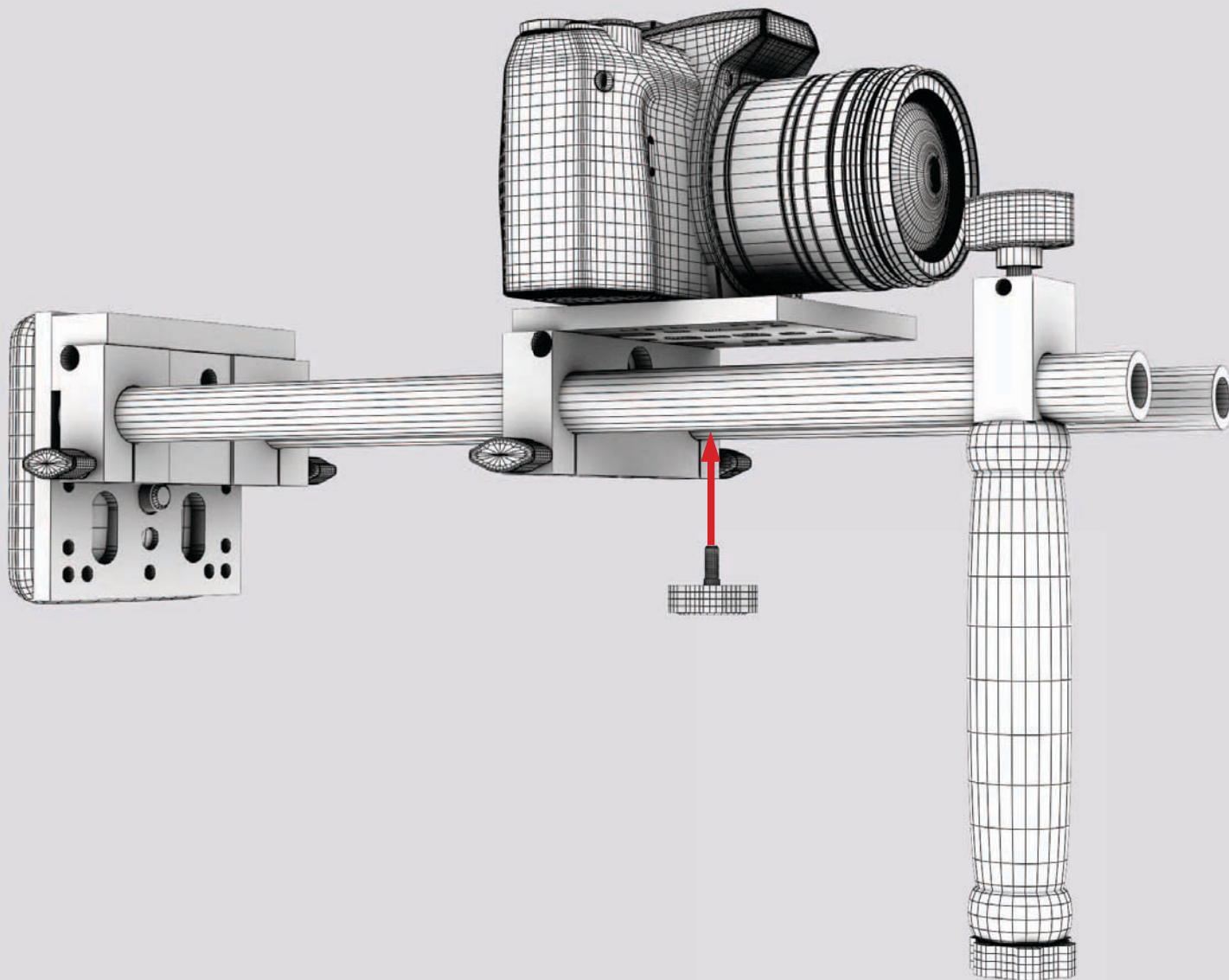
ikan

[www.ikancorp.com](http://www.ikancorp.com)

713-272-8822

# ELE-SHS

## Shoulder Stock QUICKSTART GUIDE



### CONDITIONS OF WARRANTY SERVICE

- Free service for one year from the day of purchase if the problem is caused by manufacturing errors.
- The components and maintenance service fee will be charged if the warranty period has expired.

Free Service will not be Provided in the Following Situations: (\*\* Even if the product is still within the warranty period.)

- Damage caused by abuse or misuse, dismantling, or changes to the product not made by the company.
- Damage caused by natural disaster, abnormal voltage, and environmental factors etc.