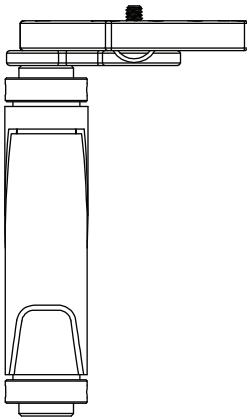


# ELE-BB

## BumbleBee Lightweight Handheld Rig QUICKSTART GUIDE



### What's included



- 1 x Handheld Rig
- 1 x 1/4-20 D-Ring
- 1 x 3/8-16 D-Ring

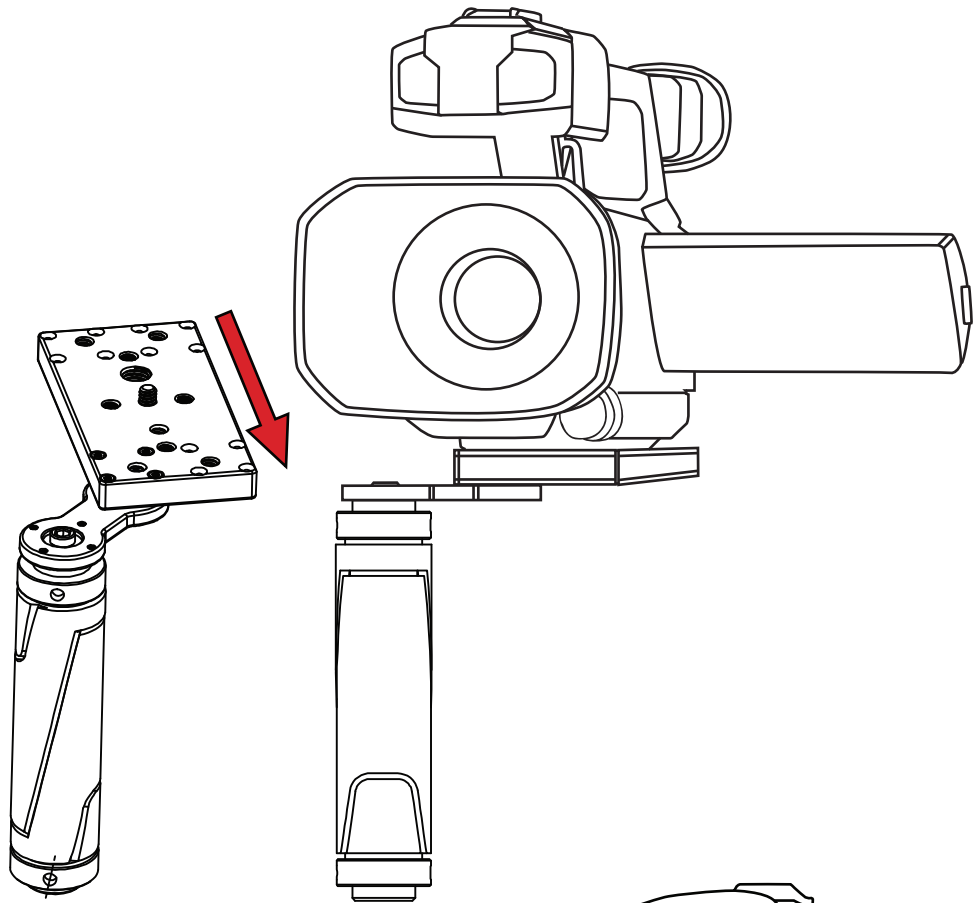
Checked by

# ELE-BB

## BumbleBee Lightweight Handheld Rig QUICKSTART GUIDE

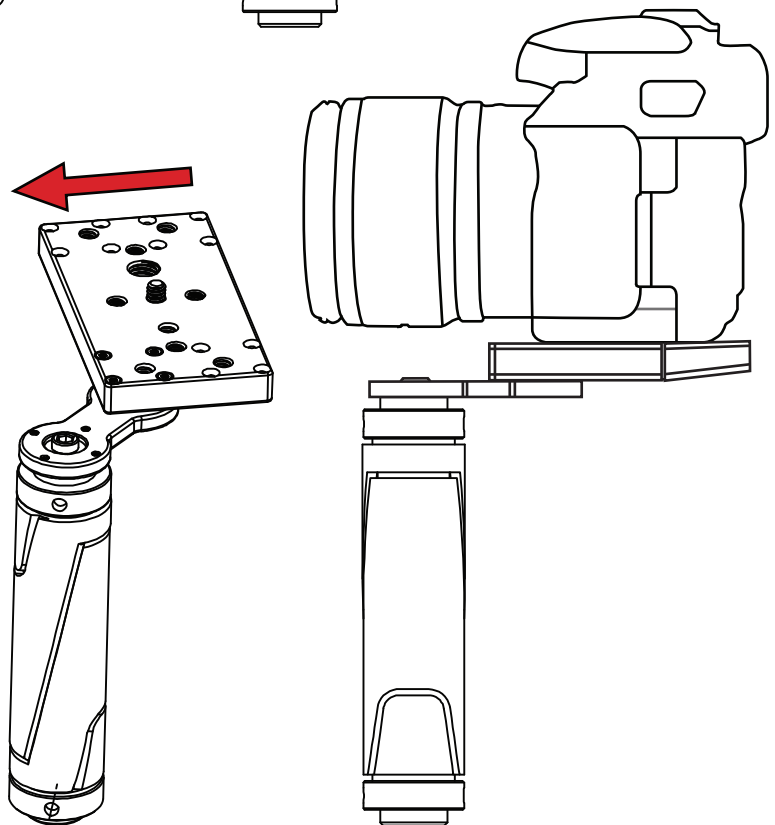
### VIDEO CAMERA SETUP

The BumbleBee rig can be adapted to both video camera and DSLR setups. For the optimal video camera setup, attach your video camera body so that the body sits vertically down the length of the plate. This accommodates the longer body styles of most video cameras.



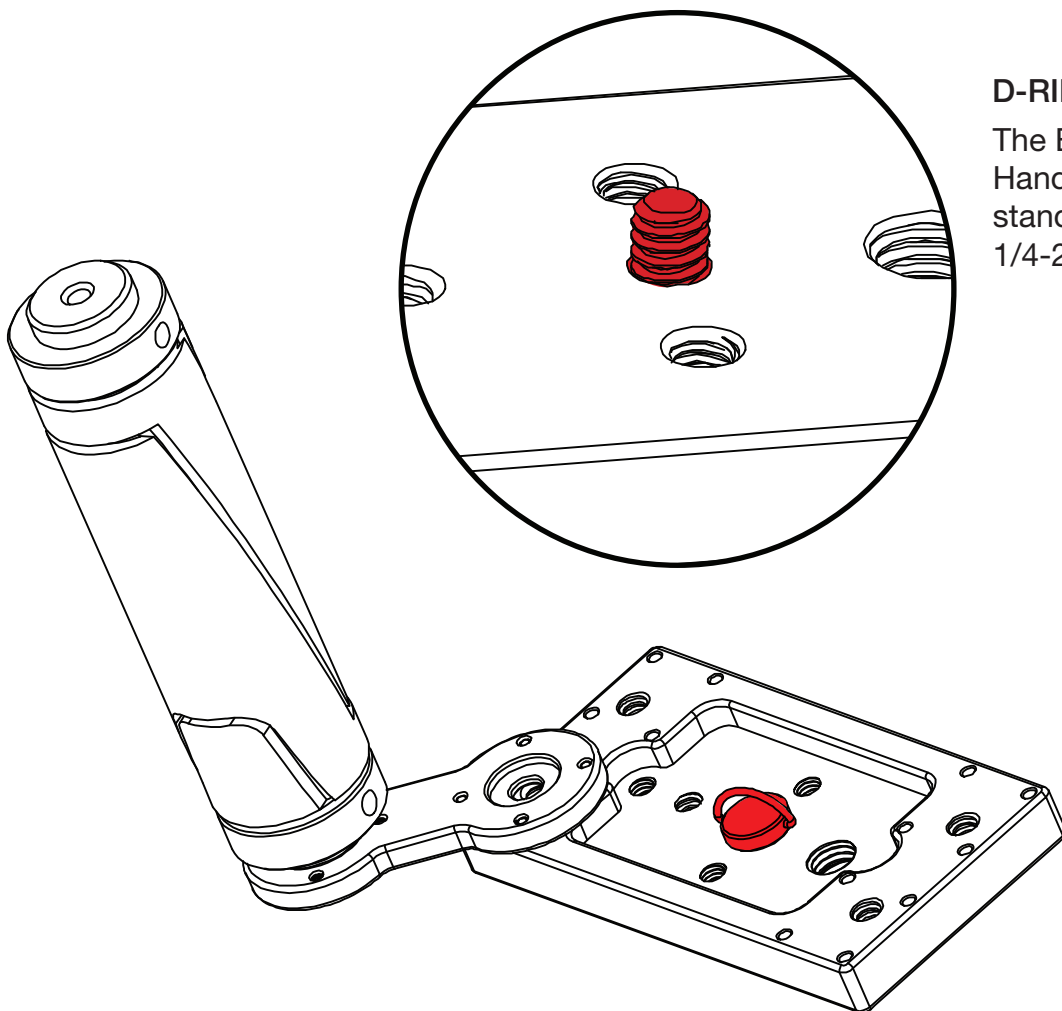
### DSLR SETUP

For the optimal DSLR setup, attach your DSLR body so that the body sits horizontally along the width of the plate. This accommodates the body style of DSLRS and also allows for freedom of hand movement to control DSLR functions.



# ELE-BB

## BumbleBee Lightweight Handheld Rig QUICKSTART GUIDE

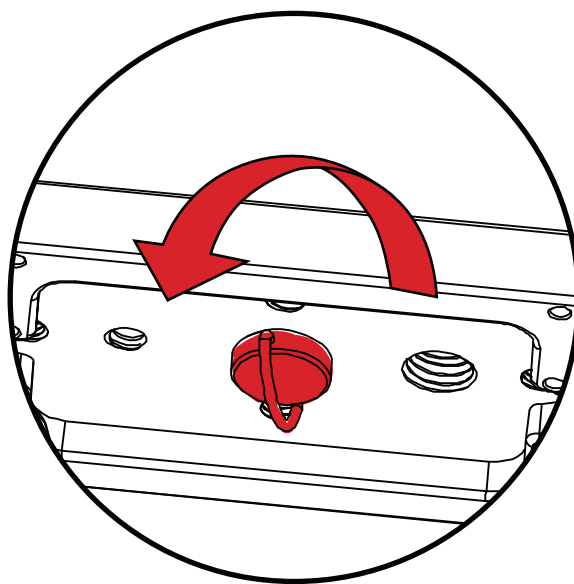


### D-RINGS

The BumbleBee Lightweight Handheld Rig comes with two standard D-Ring sizes - 3/8-16 and 1/4-20.

### D-RING INSTRUCTIONS

To attach your camera to the ikan BumbleBee, first choose the included D-Ring that fits your camera. With the D-Ring head below the plate, twist the threaded end into the base of your camera until your camera is securely fastened.





#### **CONDITIONS OF WARRANTY SERVICE**

- Free service for one year from the day of purchase if the problem is caused by manufacturing errors.
- The components and maintenance service fee will be charged if the warranty period has expired.

Free Service will not be Provided in the Following Situations: (\* Even if the product is still within the warranty period.)

- Damage caused by abuse or misuse, dismantling, or changes to the product not made by the company.
- Damage caused by natural disaster, abnormal voltage, and environmental factors etc.