

EG780A2 Video Tripod System

E-IMAGE professional tripod kit EG780A2 is a portable tripod for shooting with DSLR cameras and camcorders. Fluid head with bowl size 75mm, it provides fixed counterbalance that helps the fluid head support loads up to 6kg (13.2lbs). The adjustment mid-level spreader on the tripod for stability and it is compatible with E-IMAGE dollies. A carrying bag is included which larger enough to hold the legs, head, and spreader for your convenience.



SC-1 Carry bag

Full padded portable carrying bag providing good protection during movement.

Specifications:

Payload	6.0kg / 13.2lbs
Height range	78.0-171.5cm / 30.7-67.5in
Transport length	86.5cm / 34.1in
Net weight	5.3kg / 11.6lbs
Bowl size	75mm

What's included:

Head	EH780
Tripod	GA752
Packing	SC-1 Carry bag

EH780 75mm Fluid Head

EH780 fluid head is designed and built for professional videographers and cinematographers who want real quality at an affordable price. The fixed counterbalance helps support payloads of up to 6kg (13.2lbs) and combined with a variable tilt drag allows you to adjust the movement to suit your needs.



Features



Tilt drag is continuous adjustable.



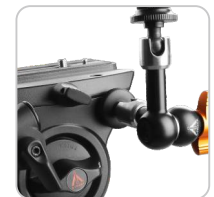
Pan drag is continuous adjustable.



A built-in bubble level to assist balancing.



GP1 quick release plate.



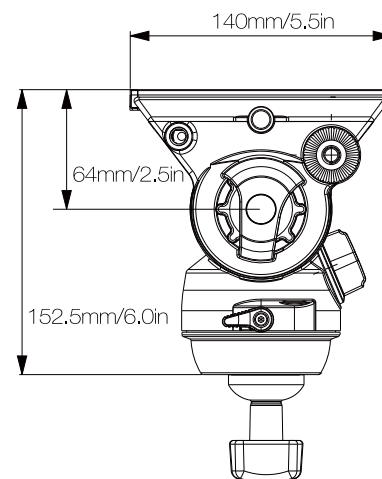
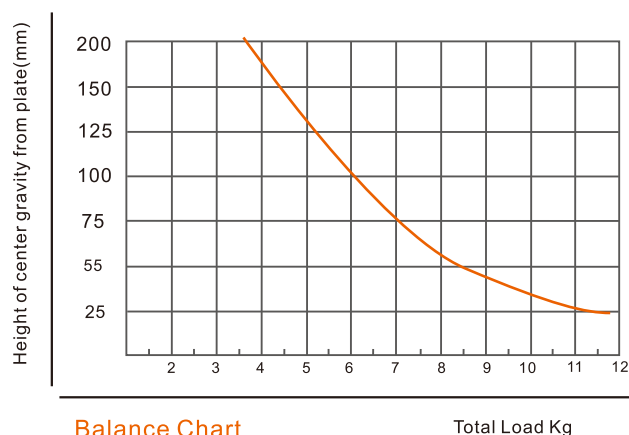
Additional 1/4"-20 & 3/8"-16 screw hole for articulating accessories.

Specifications

	Payload	6.0kg / 13.2lbs
	Counterbalance	Fixed
	Grades of pan drag	Continuous adjustable
	Grades of tilt drag	Continuous adjustable

	Tilt range	-75°~+90°
	Temperature range	-40°C~+80°C
	Net weight	1.9kg / 4.2lbs
	Bowl size	75mm

Counterbalance Graph



GA752 75mm Video Tripod

The E-IMAGE GA752 two stages aluminum tripod supports a payload weighing up to 88lbs. It is made of lightweight aluminum has a 75mm bowl and the legs are a twin tube design with two stages. The Mono-Lock feature allows for quick height adjustments of both stages with one twist. An adjustable mid-level spreader provides extra security and stability.



75mm bowl size.

40 kg
Payload



1 Lock 2

The Mono-Lock feature allows for quick height adjustments of both stages with one twist.



Ergonomic hand locking knob.



High quality aluminum tube.



Adjustable middle spreader adding extra stability.



Spike foot & big rubber are both available.

Specifications:

Payload	40.0kg / 88.0lbs
Height range	63.5-157.0cm / 25.0-61.8in
Transport length	72.0cm / 28.3in
Net weight	3.4kg / 7.5lbs
Bowl size	75mm
Sections	3
Material	Aluminum

Recommend accessories



GS02 Ground spreader



EI-7003 Dolly



EI-7003C Dolly