

EG05C2 Video Tripod System

Great camera balance can be achieved due to the counterbalance feature with the built-in spring. The fluid torque system contributes to smooth operation. Its max.load is 7kg(15.4lbs). Max.height is 169.5cm, min.height is 76cm, transport length is 84.5cm, net weight is only 4.8kg. The EG05C2 is an ideal entry-level tripod system for home video shootings and for digital single-lens reflex camera users.



SC-1 Carry bag

Full padded portable carrying bag providing good protection during movement.

Specifications:

Payload	7.0kg / 15.4lbs
Height range	76.0-169.5cm / 29.9-66.7in
Transport length	84.5cm / 33.3in
Net weight	4.8kg / 10.6lbs
Bowl size	75mm

What's included:

Head	GH05
Tripod	GC752
Packing	SC-1 Carry bag

GH05 75mm Fluid Head

The GH05 head is specially designed for lightweight HDV camcorders and video-enabled DSLR cameras. It's with 2 grades counterbalance and fixed drag to help provides quick balance of your cameras. With standard 75mm bowl, the heads could be equipped with all 75mm bowl size legs.



Features



Fixed pan & tilt drag for smooth movement.



0-2 grades of counterbalance for perfect balance.



A built-in bubble level to assist balancing.



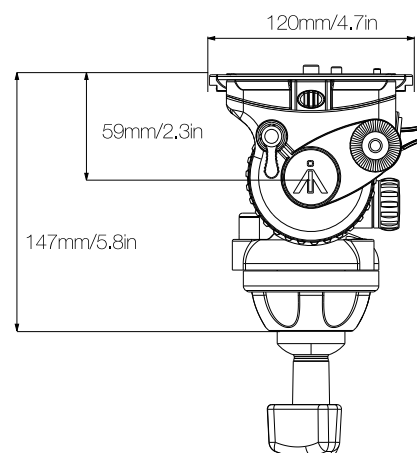
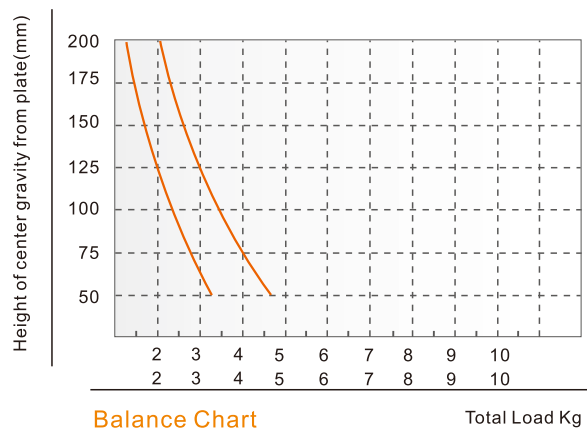
GP1 quick release plate

Specifications

	Payload	3.0-7.0kg / 6.6-15.4lbs
	Counterbalance	0-2
	Grades of pan drag	Fixed
	Grades of tilt drag	Fixed

	Tilt range	-50°~+90°
	Temperature range	-30°C~+60°C
	Net weight	1.8kg / 4.0lbs
	Bowl size	75mm

Counterbalance Graph



GC752 75mm Video Tripod

The E-IMAGE GC752 two stages carbon fiber tripod supports a payload weighing up to 88lbs. It is made of lightweight carbon fiber has a 75mm bowl and the legs are a twin tube design with two stages. The Mono-Lock feature allows for quick height adjustments of both stages with one twist. An adjustable mid-level spreader provides extra security and stability.

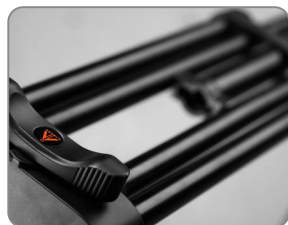


75mm bowl size.

40 kg
Payload

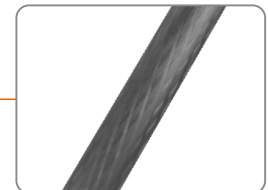


Ergonomic hand locking knob.



1 Lock 2

The Mono-Lock feature allows for quick height adjustments of both stages with one twist.



High quality carbon fiber tube.



Adjustable middle spreader adding extra stability.



Spike foot & big rubber are both available.

Specifications:

Payload	40.0kg / 88.0lbs
Height range	63.5-157.0cm / 25.0-61.8in
Transport length	72.0cm / 28.3in
Net weight	3.0kg / 6.6lbs
Bowl size	75mm
Sections	3
Material	Carbon fiber

Recommend accessories



GS02 Ground spreader



EI-7003 Dolly



EI-7003C Dolly