

# BMPCC-PBK-1

## Blackmagic Pocket Cinema Camera Over/Under Pro Battery Kit QUICKSTART GUIDE



### What's included

- 1 x ELE-DBLPT
- 1 x ELE-15RM
- 1 xPro Battery Plate  AB-Mount  V-Mount
- 1 x AB101 Power Tap Adapter
- 1 x BMPCC Power Adapter

---

### CONDITIONS OF WARRANTY SERVICE

- Free service for one year from the day of purchase if the problem is caused by manufacturing errors.
- The components and maintenance service fee will be charged if the warranty period has expired.

Free Service will not be Provided in the Following Situations: (\* Even if the product is still within the warranty period.)

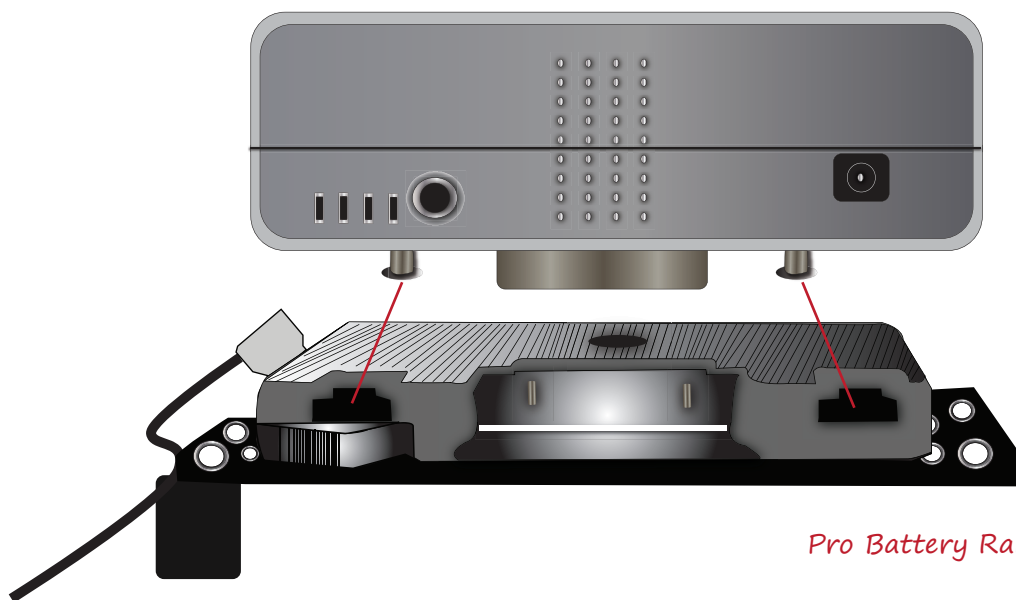
- Damage caused by abuse or misuse, dismantling, or changes to the product not made by the company.
- Damage caused by natural disaster, abnormal voltage, and environmental factors etc.

# BMPCC-PBK-1

## Blackmagic Pocket Cinema Camera Over/Under Pro Battery Kit QUICKSTART GUIDE

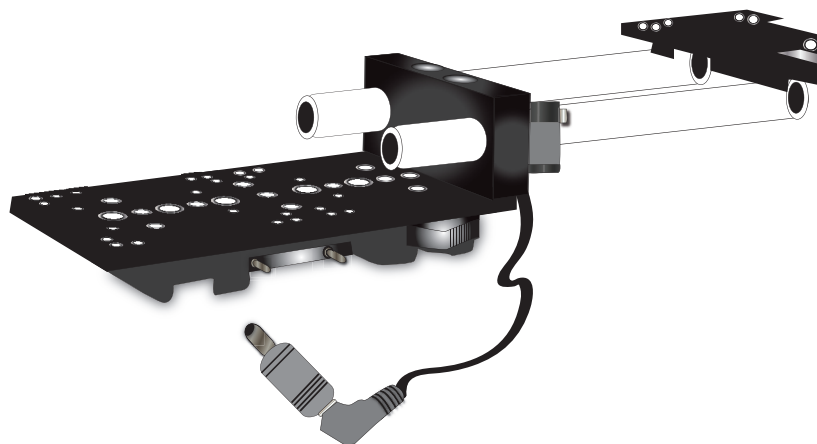
ikan's Pro Battery Rail Kit, designed for Blackmagic Pocket Cinema Camera, is easy and simply to use. Attach your Pro battery (Anton Bauer or V-Mount) to the battery plate and make sure it is secure.

*AB Mount Professional Battery*



*Pro Battery Rail Kit*

Loosen the thumbscrews to the 15RM and slide it on to your 15mm rail system for your Blackmagic Pocket Cinema Camera. You can either mount that battery kit facing over or under the 15mm rails.



# BMPCC-PBK-1

## Blackmagic Pocket Cinema Camera Over/Under Pro Battery Kit QUICKSTART GUIDE

After you have mounted the battery kit to your discretion, take P-tap cord with the adapter and plug the two prong end to the battery plate and the other end to the Blackmagic Pocket Cinema Camera. Now you are running off Pro Battery power and not the internal battery of the Blackmagic Pocket Cinema Camera.

