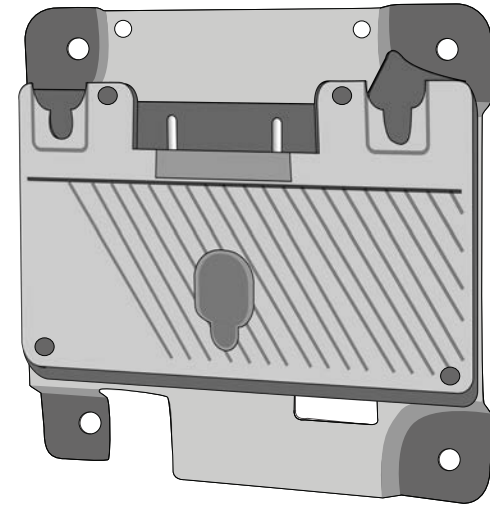
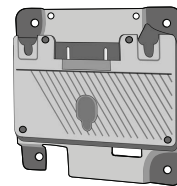


VXPBK-A

(VX Series Pro Battery Kit) QUICKSTART GUIDE



Whats included



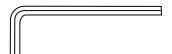
Pro Battery Plate



Power Tab Cable



4 x M4X.07 20mm Bolt



Hex Key

Checked by

CONDITIONS OF WARRANTY SERVICE

- Free service for one year from the day of purchase if the problem is caused by manufacturing errors.
- The components and maintenance service fee will be charged if the warranty period has expired.

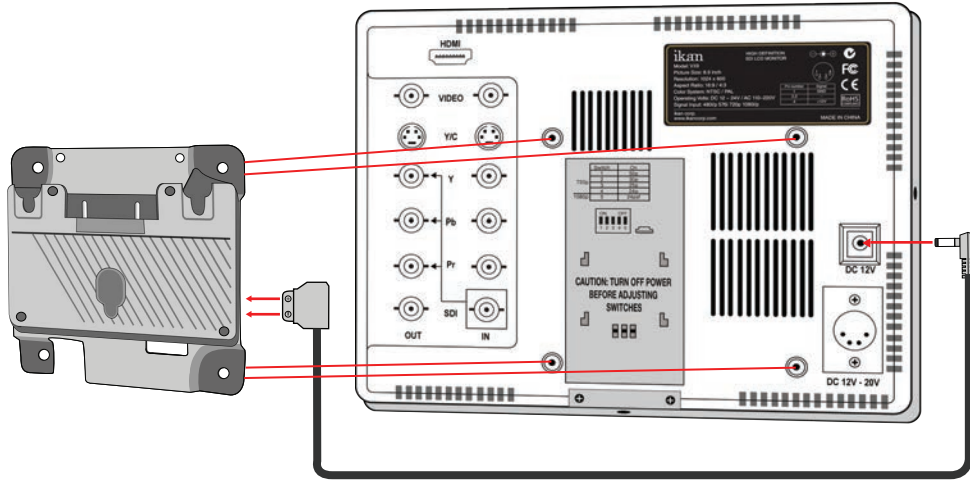
Free Service will not be Provided in the Following Situations: (* Even if the product is still within the warranty period.)

- Damage caused by abuse or misuse, dismantling, or changes to the product not made by the company.
- Damage caused by natural disaster, abnormal voltage, and environmental factors etc.

VXPBK-A

(VX Series Pro Battery Kit) QUICKSTART GUIDE

Connect the Power Tab Cable to the VX9 monitor.

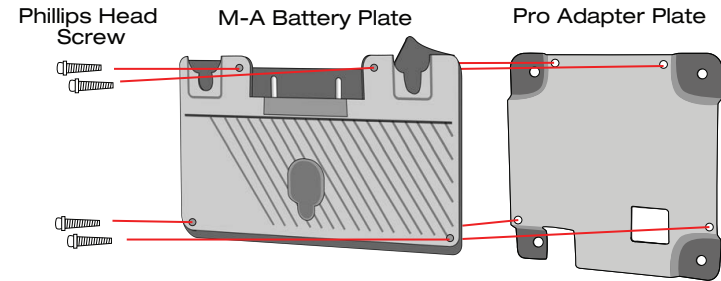


Attach the Pro Battery Plate to the VX9 monitor with four M4X.07 20mm Bolts.

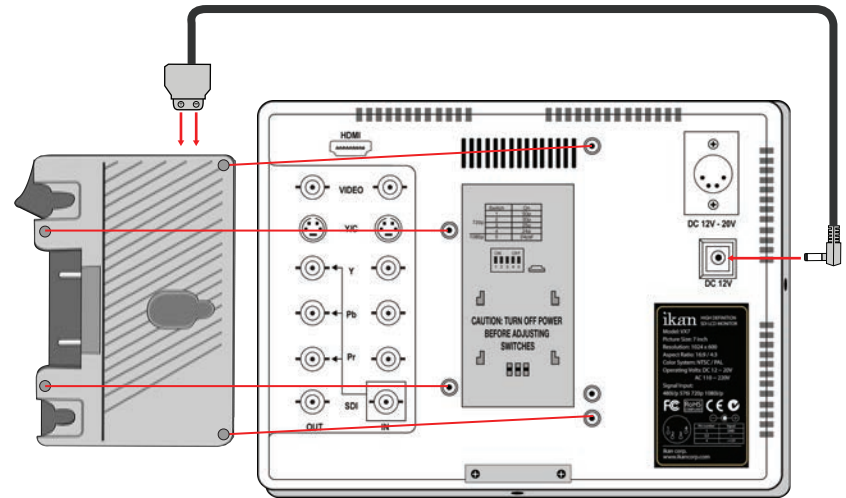
Battery Plate	Connector	

NOTE:
Please make sure to insert the 'D-tap Connector' correctly into the battery plate to insure the proper polarity ("D" shape of the D-tap cable to the "D" shape of the battery adapter [See diagram]). Failure to do so may result in damage to the battery plate and/or to the product or products connected to the battery plate. The iKam Corporation takes no responsibility for damage to any product occurring as a result of the incorrect insertion of the D-Tap Connector to the battery plate.

Connect the Power Tab Cable to the VX7 monitor.



Remove the Phillips Head Screws to disassemble the M-A Battery Plate and the Pro Adapter Plate.



Install the M-A Battery Plate on to the VX7 monitor with the Phillips Head Screws.

* Please note that due to varying manufacturing tolerances and differing manufacturer's charging circuitry, it is recommend that iKam professional batteries only be used with iKam professional chargers/plates.