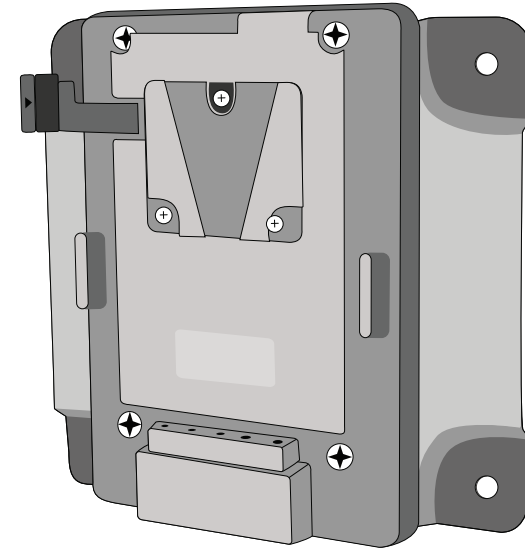
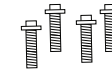
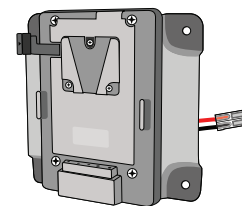


# V8PBK-S

## (V8000HDMI Pro Battery Kit) QUICKSTART GUIDE



### What's included



Checked by

Pro Battery Plate

DC Power Cable

4 x M4X.07 20mm Bolt

Hex Key

4 x Spacers  
(Only for old V8000HDMI model)

### CONDITIONS OF WARRANTY SERVICE

- Free service for one year from the day of purchase if the problem is caused by manufacturing errors.
- The components and maintenance service fee will be charged if the warranty period has expired.

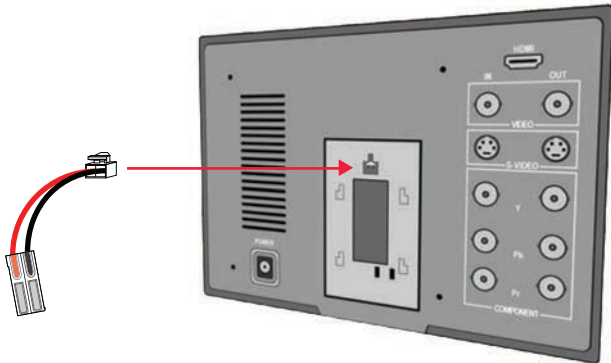
Free Service will not be Provided in the Following Situations: (\* Even if the product is still within the warranty period.)

- Damage caused by abuse or misuse, dismantling, or changes to the product not made by the company.
- Damage caused by natural disaster, abnormal voltage, and environmental factors etc.

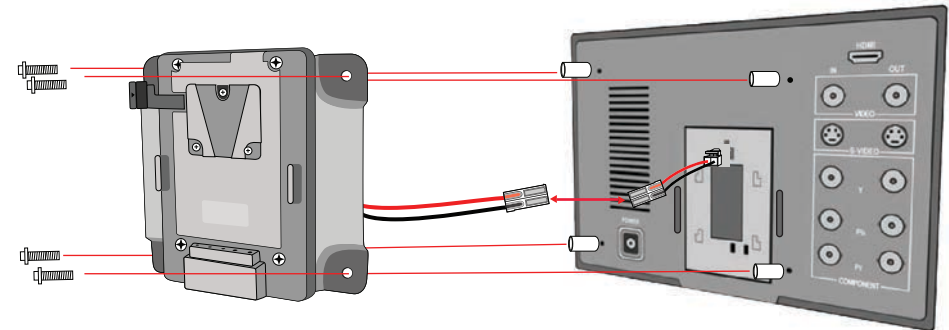
# V8PBK-S

## (V8000HDMI Pro Battery Kit) QUICKSTART GUIDE

Connect the DC Power Cable to the V8000HDMI monitor.

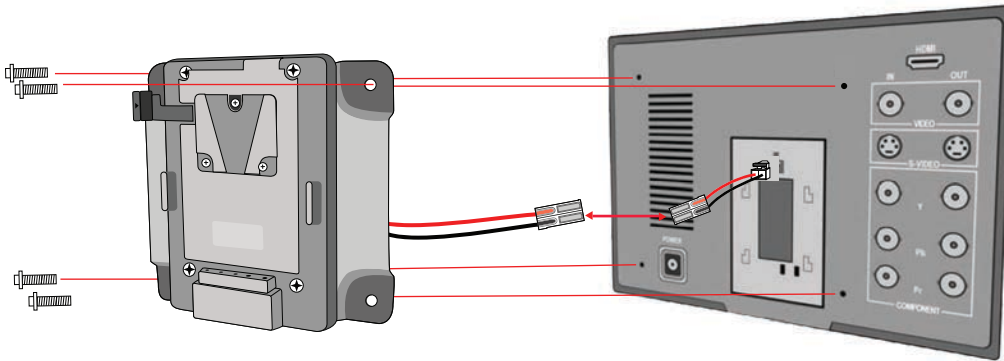


Insert the DC Cable in the connection slot.



\*\* Only for old V8000HDMI model with strap hooks\*\*

Connect both Pro Battery DC cables. Attach the Pro Battery Plate, the Spacers and the monitor with M4X.07 20mm Bolts.



Connect both Pro Battery DC cables. Attach the Pro Battery Plate and the monitor with M4X.07 20mm Bolts.